



US00D938231S

(12) **United States Design Patent**
Martini

(10) **Patent No.:** **US D938,231 S**

(45) **Date of Patent:** **** Dec. 14, 2021**

(54) **ICE BUCKET**

(71) Applicant: **Eleonora Martini**, St. Moritz (CH)

(72) Inventor: **Eleonora Martini**, St. Moritz (CH)

(**) Term: **15 Years**

(21) Appl. No.: **35/509,594**

(22) Filed: **Dec. 12, 2019**

(80) **Hague Agreement Data**

Int. Filing Date: **Dec. 12, 2019**

Int. Reg. No.: **DM/205100**

Int. Reg. Date: **Dec. 12, 2019**

Int. Reg. Pub. Date: **Jun. 12, 2020**

(51) **LOC (13) Cl.** **07-01**

(52) **U.S. Cl.**
USPC **D7/603**

(58) **Field of Classification Search**

USPC D7/603-608, 584, 586, 587, 538-542

CPC F25D 3/08; F25D 3/14; F25D 2331/804;

F25D 31/00; F25D 31/002; F25D 31/006;

F25D 31/007; F25D 31/008; B65D 81/38;

A47G 19/027; A45C 11/20; B28B 1/002

See application file for complete search history.

(56) **References Cited**

U.S. PATENT DOCUMENTS

D249,444 S * 9/1978 Forsberg D7/604

D265,789 S * 8/1982 Trombly D7/603

D285,765 S *	9/1986	Zieff	D7/603
D285,766 S *	9/1986	Zieff	D7/603
D285,767 S *	9/1986	Zieff	D7/603
D294,445 S *	3/1988	Jorgensen	D7/603
D300,294 S *	3/1989	Pozzi	D7/603
D483,620 S *	12/2003	Basara	D7/603
D488,355 S *	4/2004	Irvine	D7/603
D530,156 S *	10/2006	Moore	D7/603
D560,100 S *	1/2008	Wang	D7/603
D560,977 S *	2/2008	Lown	D7/603
D608,156 S *	1/2010	Bodum	D7/603
D842,046 S *	3/2019	Lin	D7/603
D891,873 S *	8/2020	Burns	D7/603

* cited by examiner

Primary Examiner — Michael A. Pratt

(74) *Attorney, Agent, or Firm* — Nixon & Vanderhye P.C.

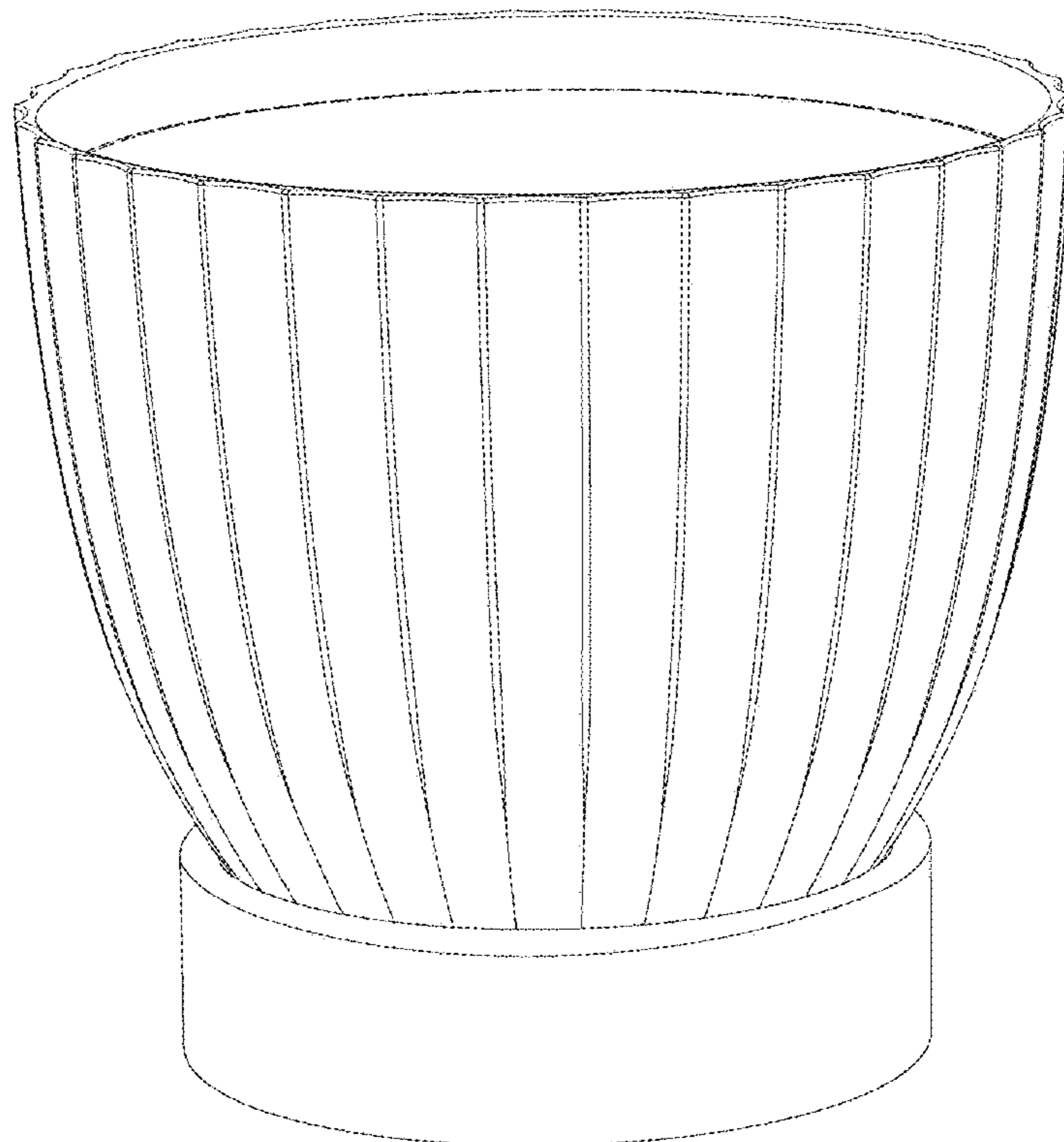
(57) **CLAIM**

The ornamental design for an ice bucket, as shown and described.

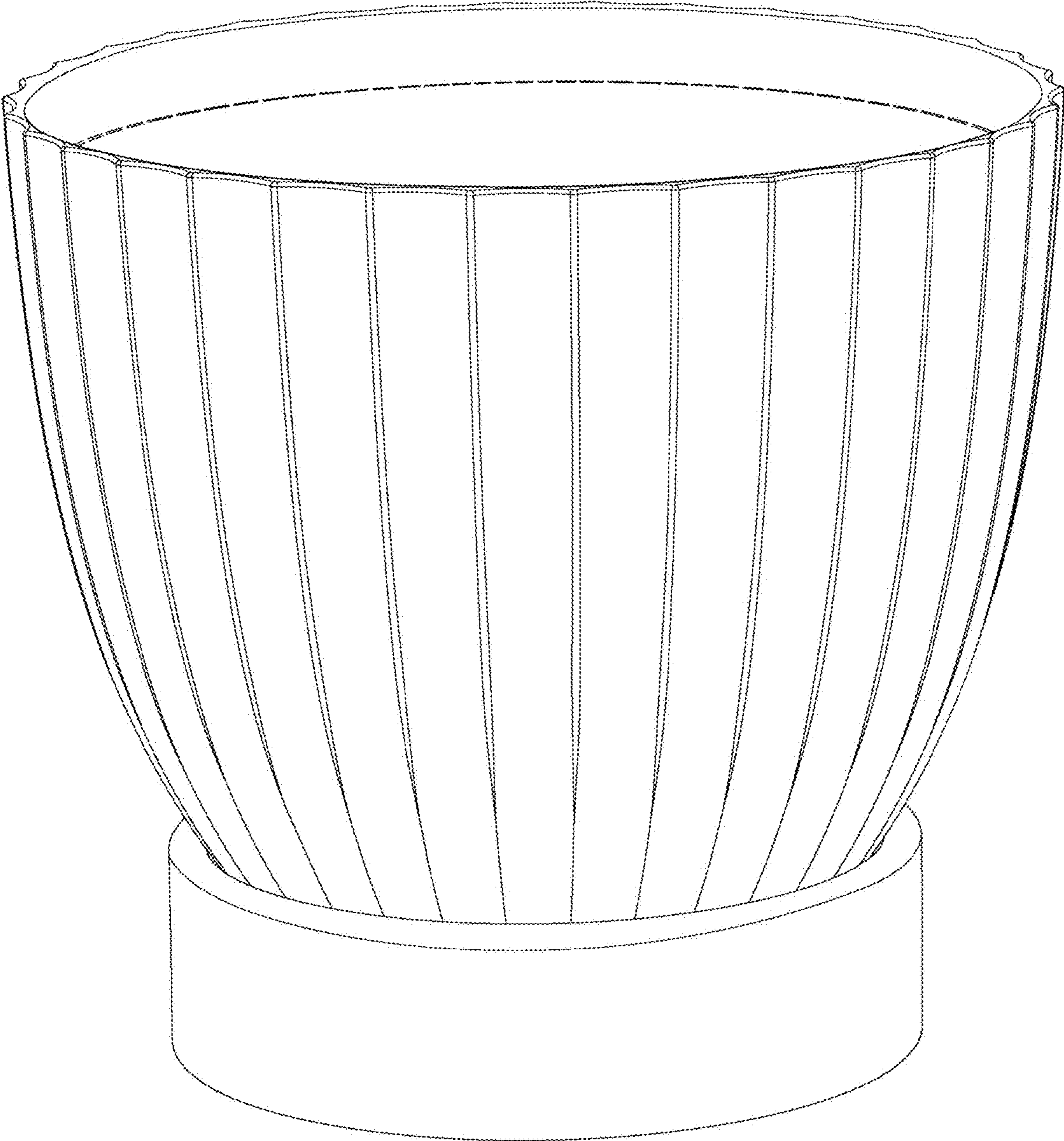
DESCRIPTION

Figures 2.1, 2.2, 2.3 and 2.4: perspective view, front view, top view and bottom view, respectively, of an ice bucket; parts shown by broken lines are not part of the design; side and back views are omitted because they are identical with the front views.

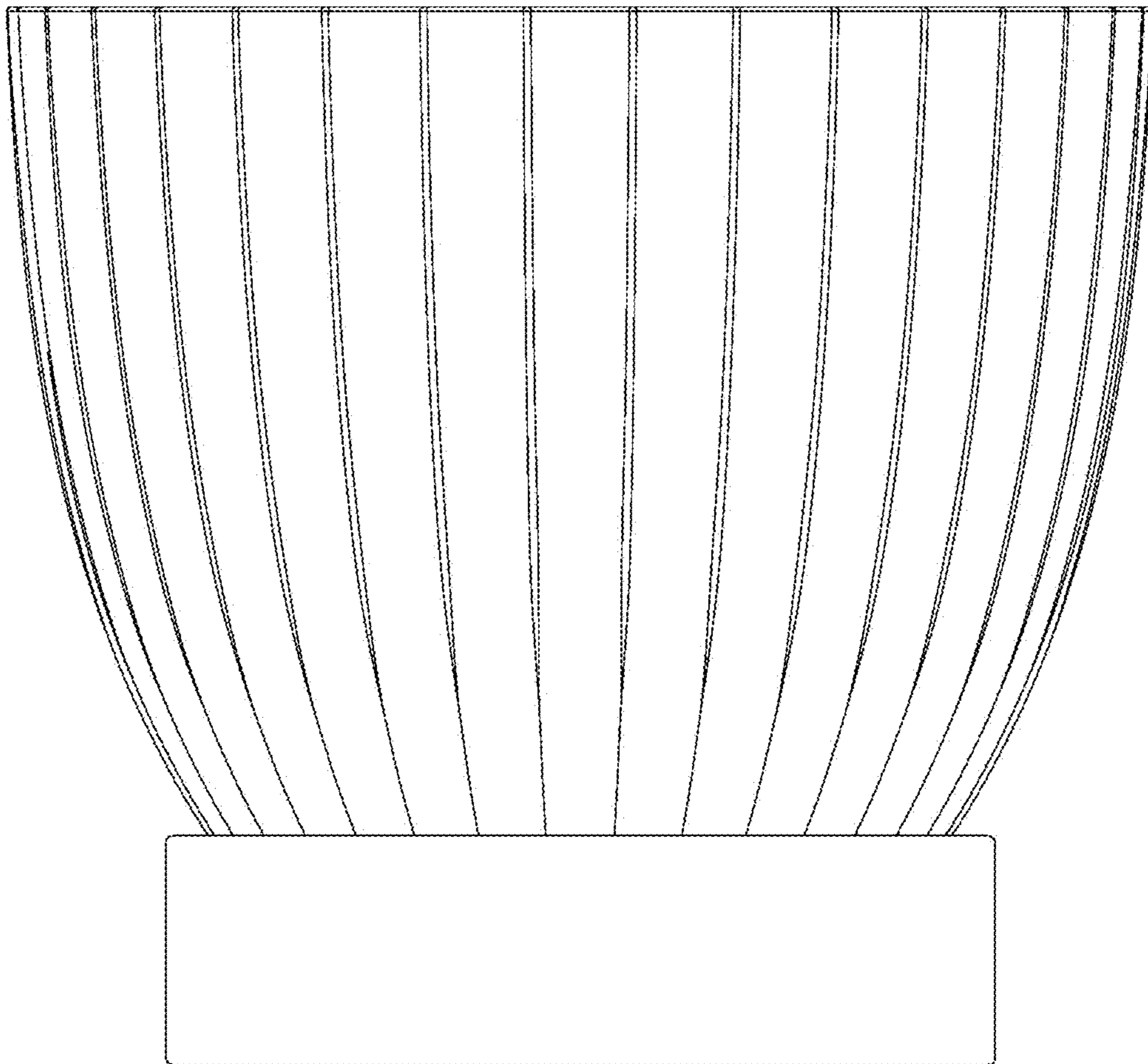
1 Claim, 4 Drawing Sheets



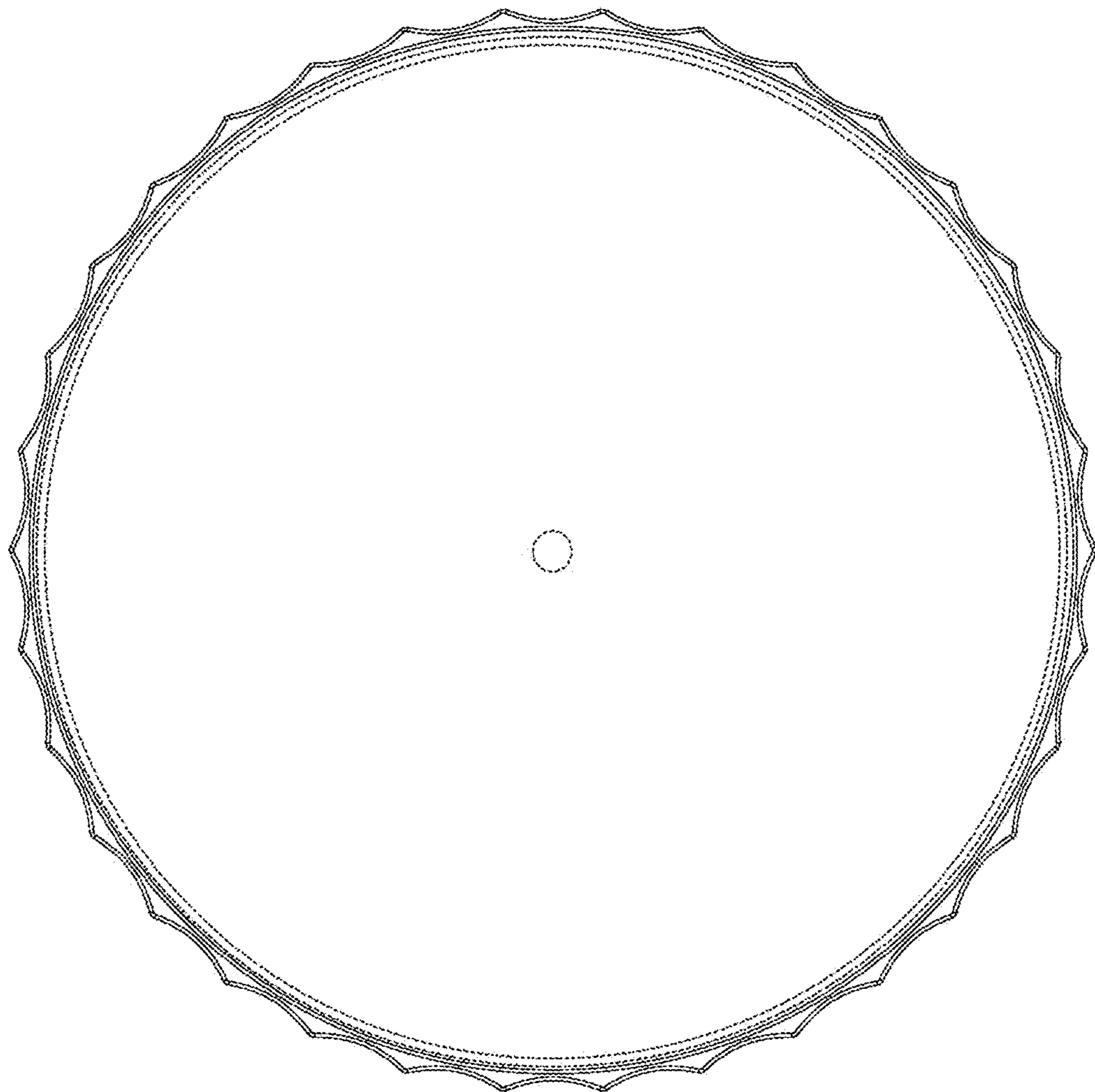
2.1



2.2



2.3



2.4

