



US00D938230S

(12) **United States Design Patent** (10) **Patent No.:** **US D938,230 S**
Carmona (45) **Date of Patent:** **** Dec. 14, 2021**

(54) **BEER MUG**

(71) Applicant: **MM Products Inc.**, Brooklyn, NY (US)

(72) Inventor: **Tammy Carmona**, Brooklyn, NY (US)

(73) Assignee: **MM PRODUCTS INC.**, Brooklyn, NY (US)

(**) Term: **15 Years**

(21) Appl. No.: **29/719,377**

(22) Filed: **Jan. 3, 2020**

(51) **LOC (13) Cl.** **07-01**

(52) **U.S. Cl.**
USPC **D7/514; D7/533**

(58) **Field of Classification Search**
USPC ... D7/300–303, 387, 396.1, 396.2, 397, 500, D7/502, 505–507, 509–523, 529–545, D7/555–558, 560, 571–573, 577, D7/598–599, 601–604, 611, 619.1, 619.2, D7/701, 702, 900, 901; D1/106, 115; D3/270, 271.8, 271.9; D6/580, 665; D8/21, 26, 76, 378; D9/519, 529, D9/544–545, 549, 553, 558, 572, 600, D9/642–645, 649, 651, 655, 658, 668, D9/679–680; D11/44, 48, 62–63, 67–68, D11/86, 89–90, 131, 200, 204, 217, 223, D11/225, 238; D21/301, 312–315, D21/386–387, 710, 725, 727, 780; D22/112–114, 144; D27/118–120, 148, D27/151, 165, 188; D99/5
CPC .. A45F 3/16; A45F 3/20; A47G 19/22; A47G 19/2205; A47G 19/26; A47G 2019/2277; A47G 21/18; A47G 23/0216; A63B 59/50; B65D 1/00; B65D 1/02; B65D 1/32; B65D 11/00; B65D 11/02; B65D 11/10; B65D 11/14; B65D 11/16; B65D 11/18; B65D 11/20; B65D 15/00; B65D 15/02; B65D 15/22; B65D 15/24

See application file for complete search history.

(56) **References Cited**

U.S. PATENT DOCUMENTS

D37,902 S *	3/1906	Spooner	D7/515
D216,731 S *	3/1970	Leung	D7/536
D254,764 S *	4/1980	Werner	D7/515
D437,187 S *	2/2001	Cheng	D7/622
D507,946 S *	8/2005	Hsien	D8/21

(Continued)

OTHER PUBLICATIONS

Bormioli Rocco Solid Heavy Large Beer Glasses with Handle, Overstock, [online], [site visited Jul. 26, 2021], Available from internet URL: <https://www.overstock.com/Home-Garden/Bormioli-Rocco-STERN-Large-Beer-Glasses-with-Handle-17.1-4-Ounce-4-Pack-Traditional-Beer-Stein-glasses/29043489/product.html> (Year: 2021).*

(Continued)

Primary Examiner — Mary Ann Calabrese
Assistant Examiner — Natalya M Rapundalo
(74) *Attorney, Agent, or Firm* — Cozen O'Connor

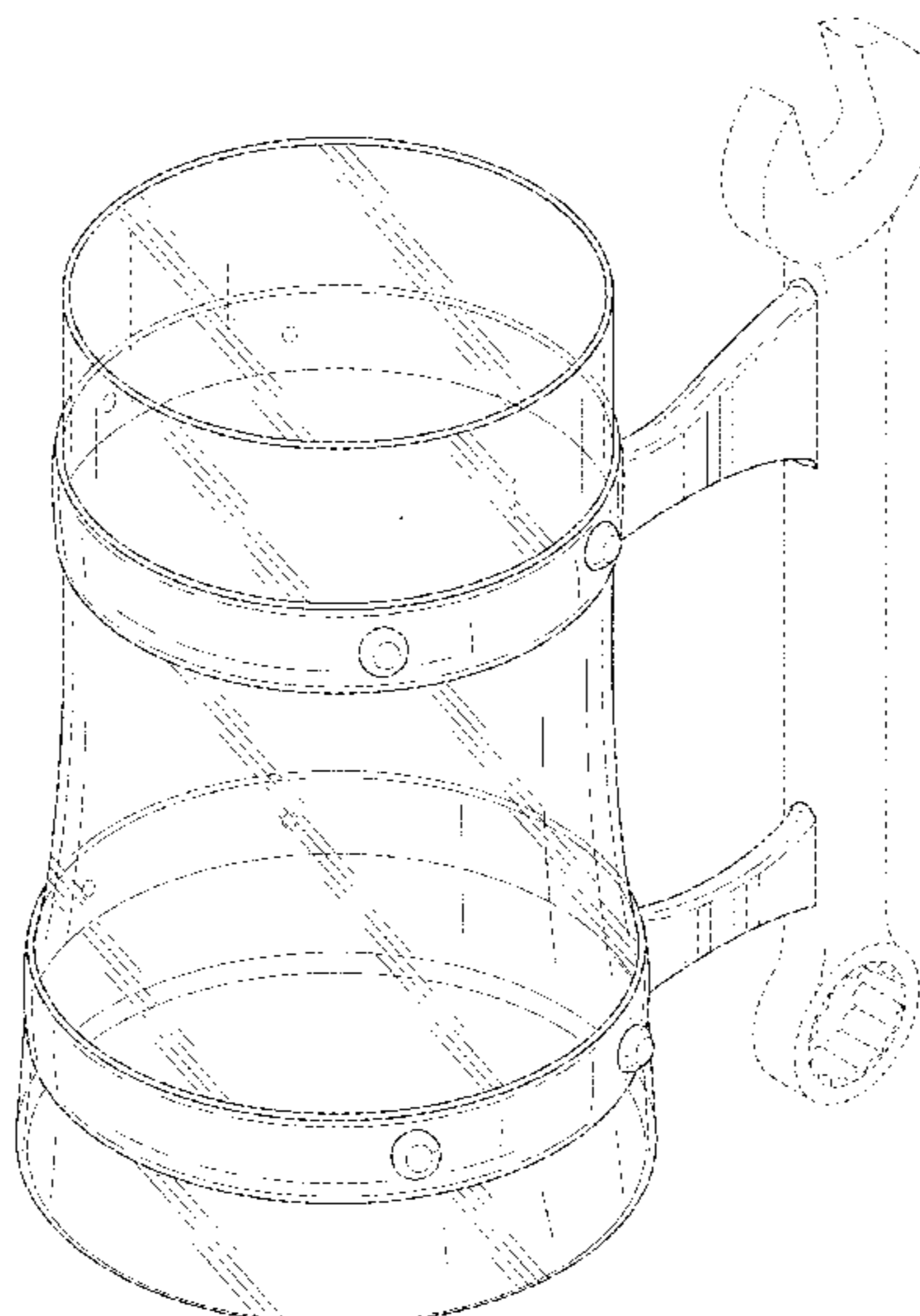
(57) **CLAIM**

The ornamental design for a beer mug, as shown and described.

DESCRIPTION

FIG. 1 is a front, perspective view of a beer mug in accordance with my new design;
FIG. 2 is a right-side plan view thereof;
FIG. 3 is a left-side plan view thereof;
FIG. 4 is an end view from a side of the handle;
FIG. 5 is an end view opposite the view of FIG. 4;
FIG. 6 is a top plan view; and,
FIG. 7 is a bottom plan view.
The features shown in dashed lines form no part of the claimed design.

1 Claim, 6 Drawing Sheets



(56)

References Cited

U.S. PATENT DOCUMENTS

D812,988 S * 3/2018 Seiders A47G 23/0216
D7/622
D883,748 S * 5/2020 Rostohar D7/533
2018/0134493 A1* 5/2018 Cunningham A47G 23/0216

OTHER PUBLICATIONS

Customized Libbey Maritime Glass Beer Mugs, Quality Logo Products, [online], [site visited Jul. 26, 2021], Available from internet URL: <https://www.qualitylogoproducts.com/custom-cups/libbey-maritime-glass-beer-mug15oz.htm> (Year: 2021).*

* cited by examiner

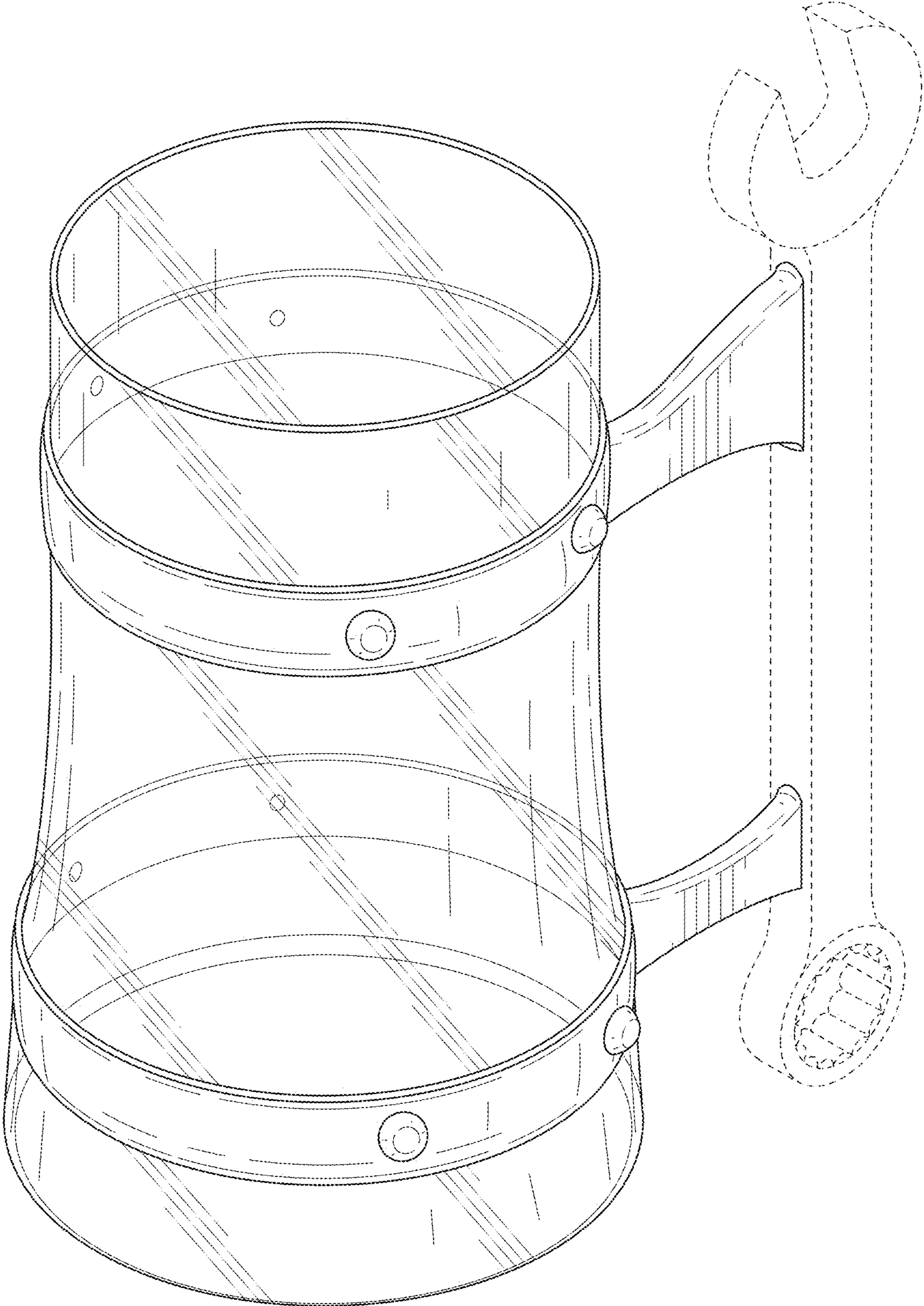


FIG. 1

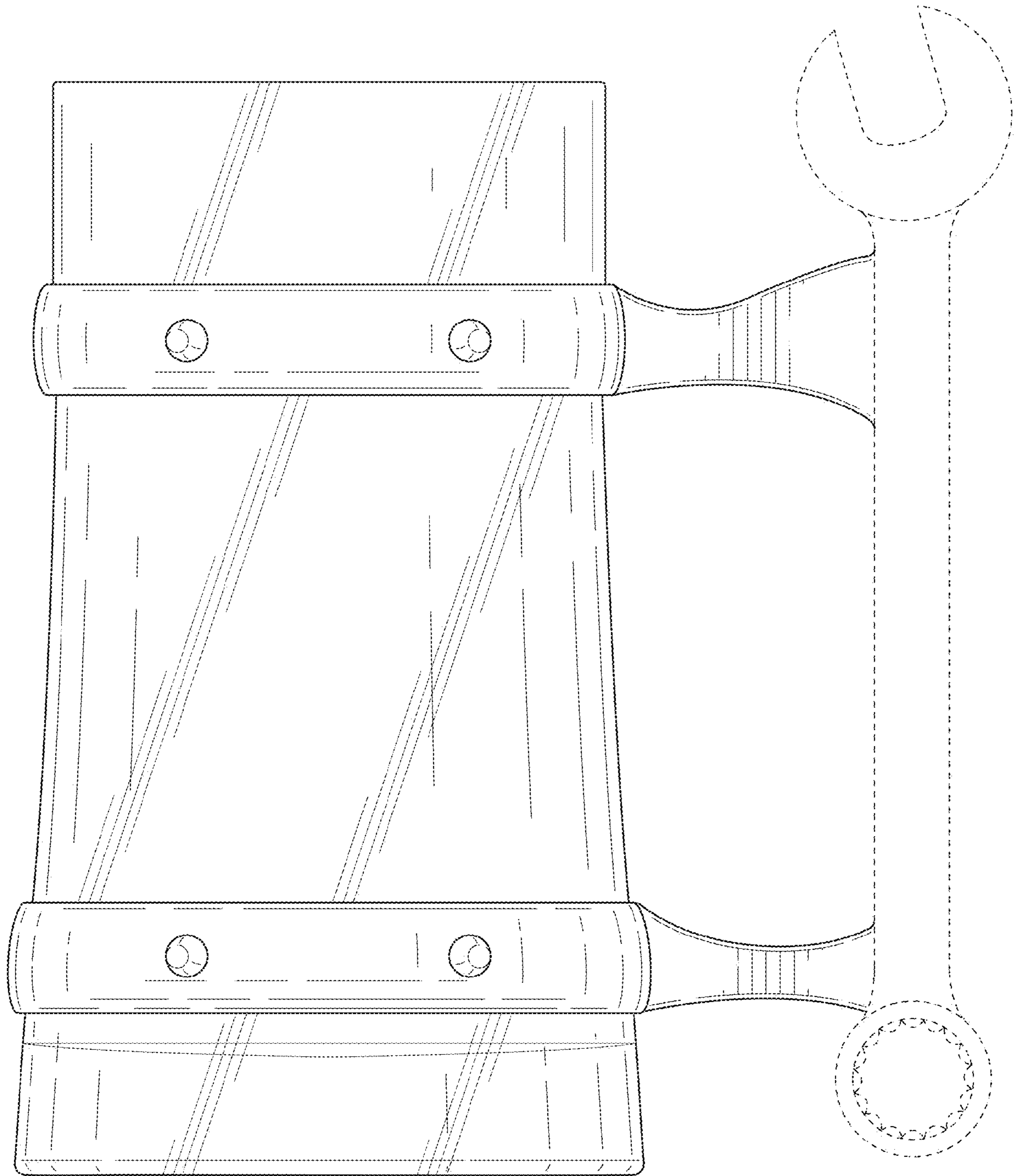


FIG. 2

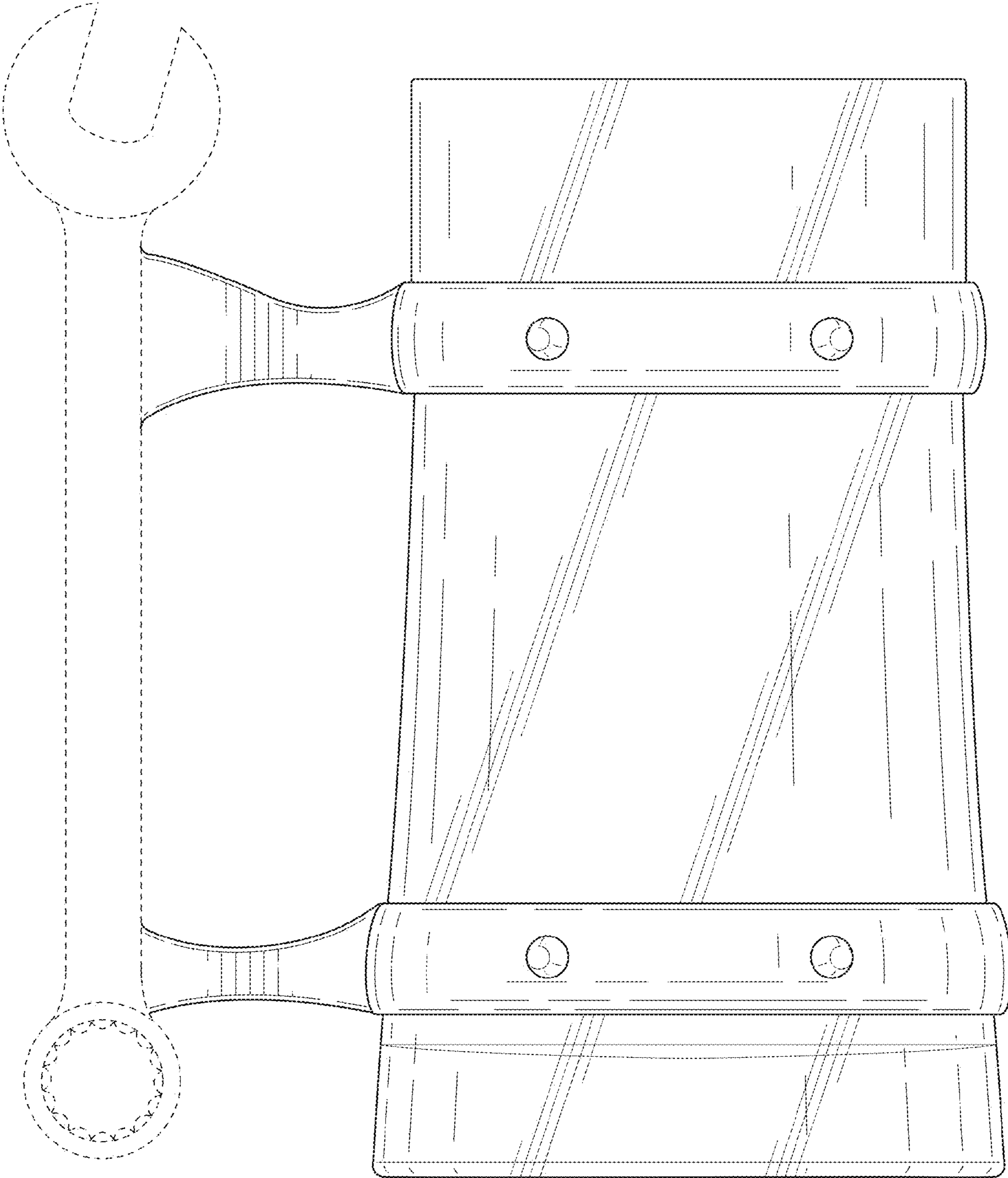


FIG. 3

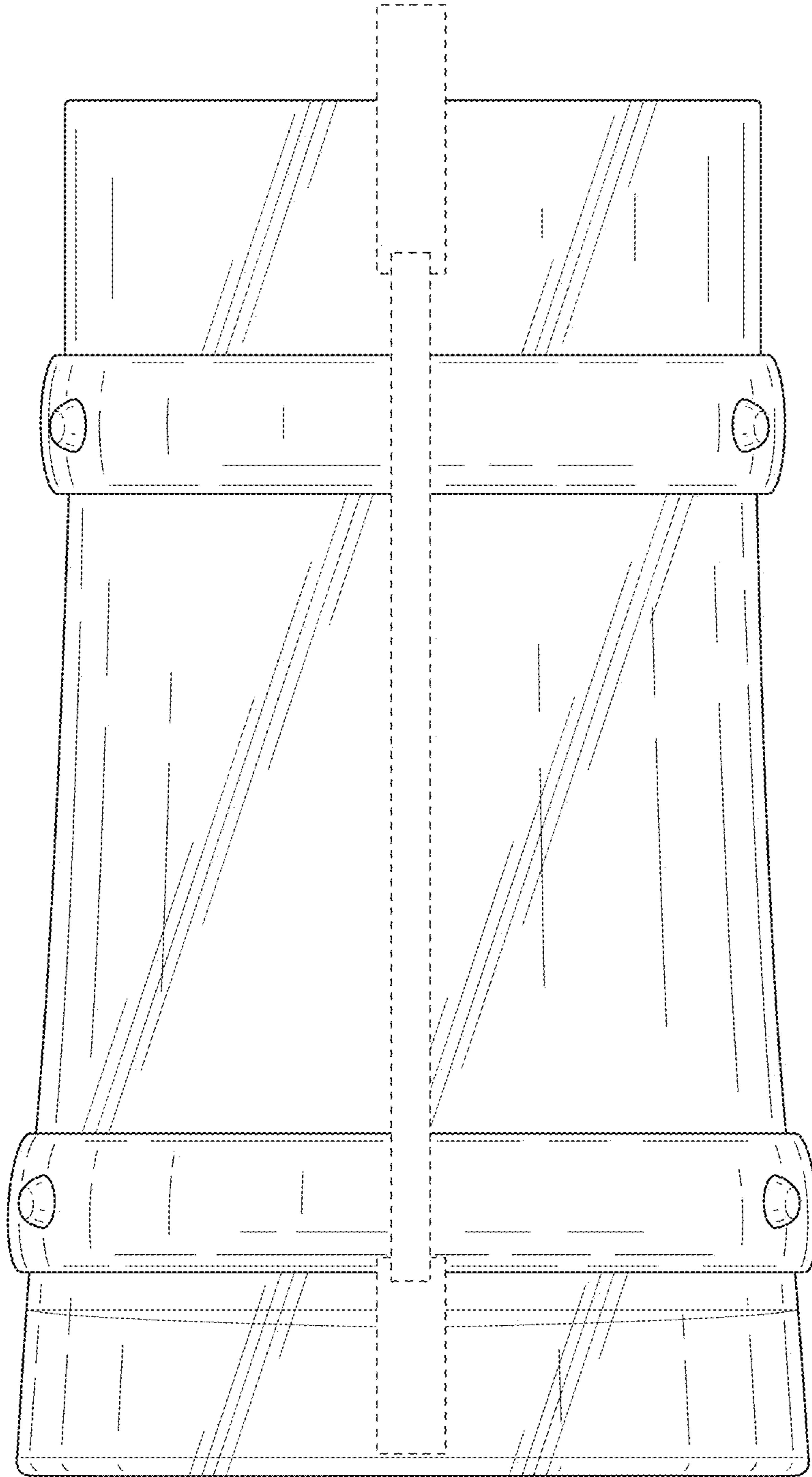


FIG. 4

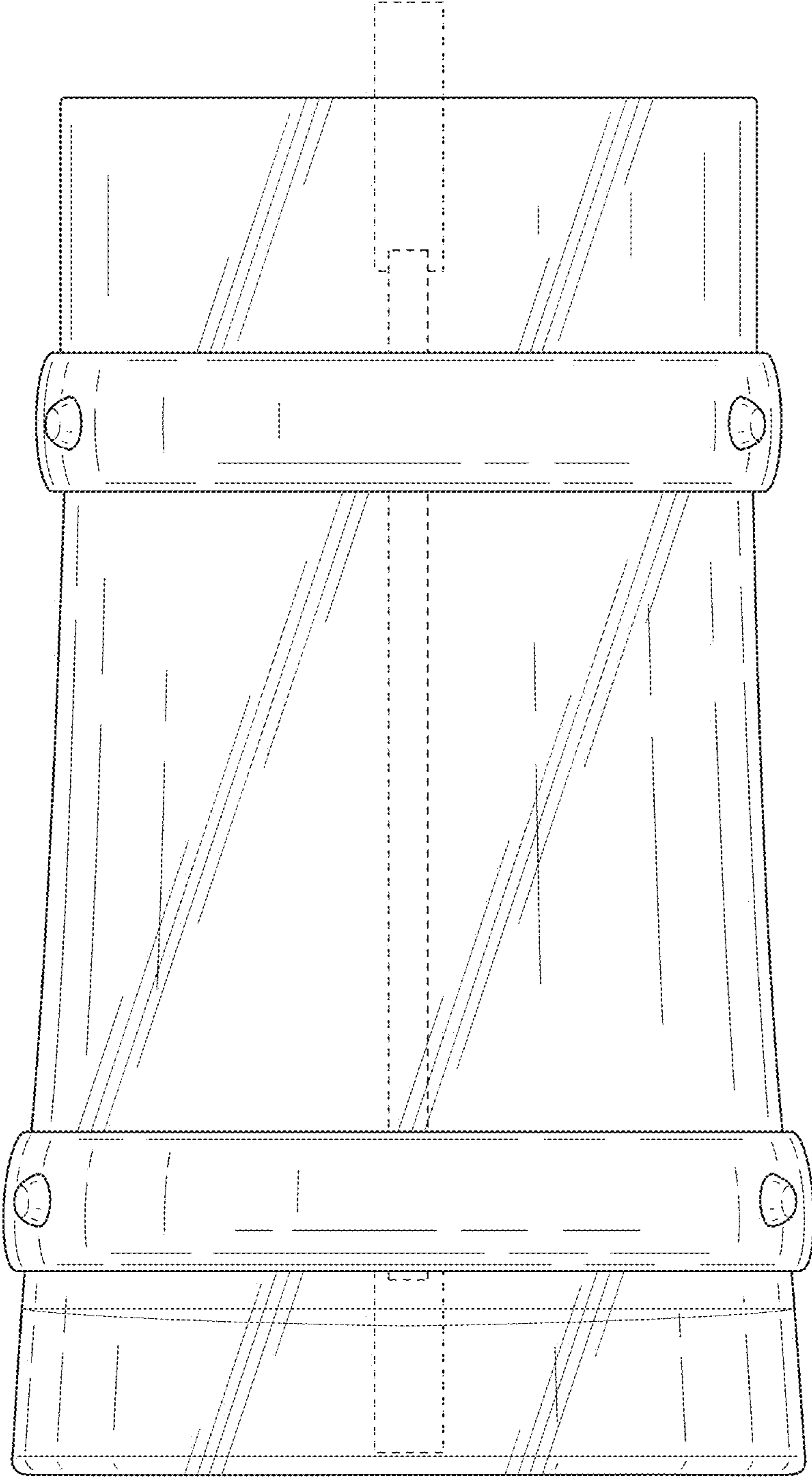


FIG. 5

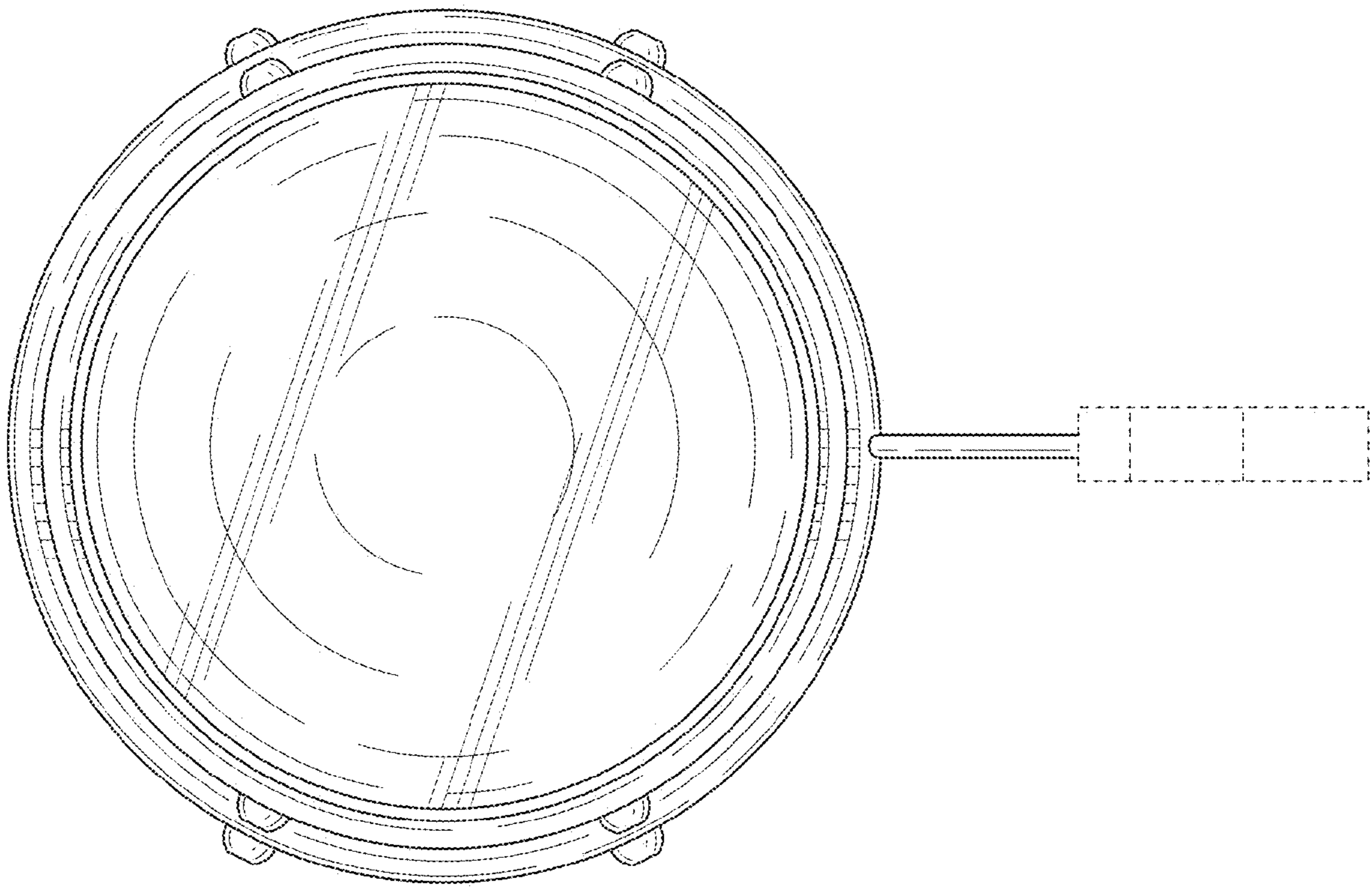


FIG. 6

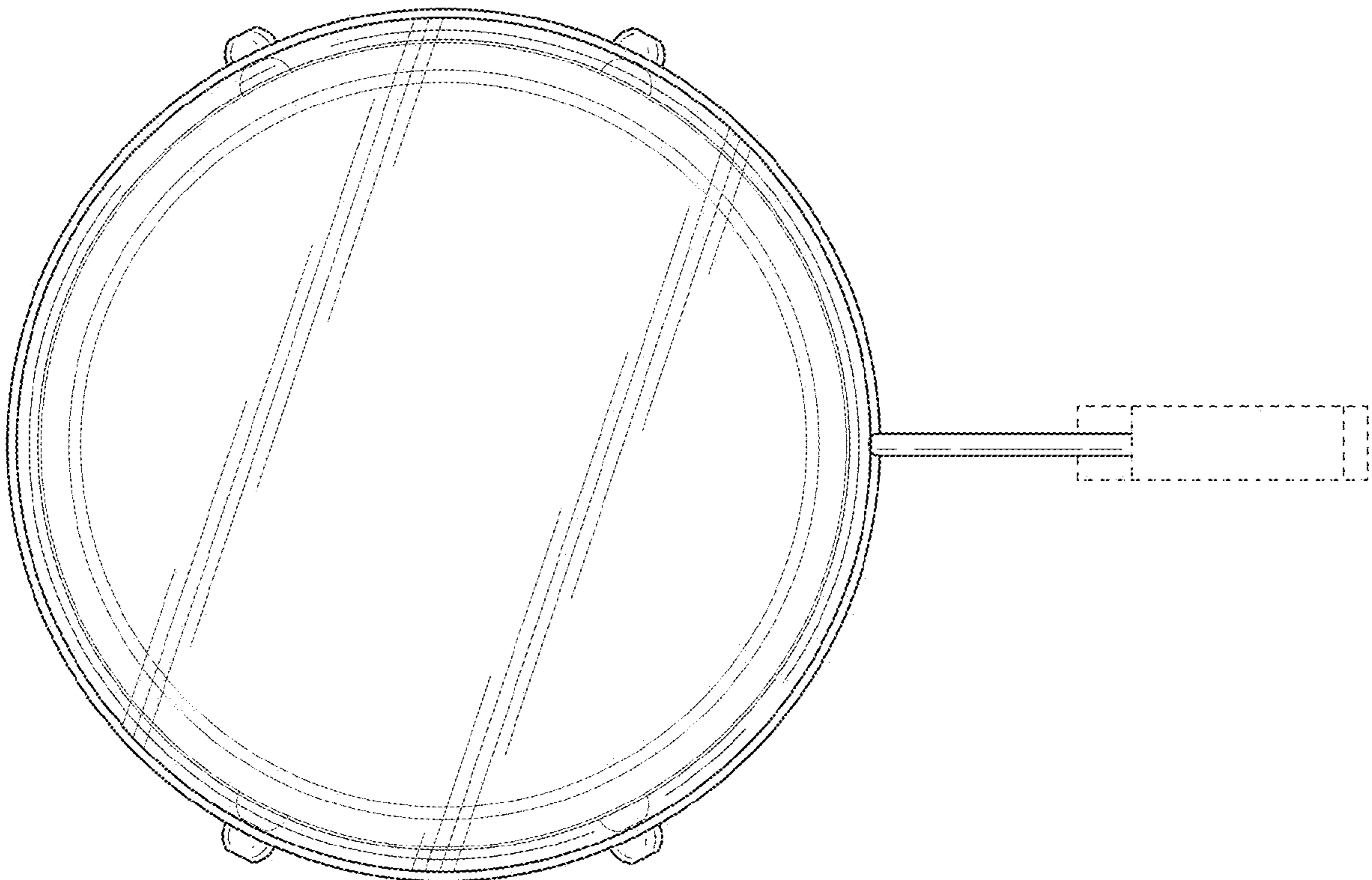


FIG. 7