



US00D938229S

(12) **United States Design Patent** (10) **Patent No.:** **US D938,229 S**
Kettavong et al. (45) **Date of Patent:** **** Dec. 14, 2021**

(54) **BLENDING CONTAINER**

(56) **References Cited**

(71) Applicant: **Vita-Mix Management Corporation,**
Olmsted Township, OH (US)

U.S. PATENT DOCUMENTS

(72) Inventors: **Phonesacksith Guy Kettavong,**
Medina, OH (US); **Fred Mehlman,**
Brunswick, OH (US)

D480,904 S *	10/2003	Backes	D7/316
D525,080 S *	7/2006	Katz	D7/394
D528,363 S	9/2006	Ulanski et al.		
D587,526 S *	3/2009	Barnard	D7/413
D588,406 S	3/2009	Ulanski		
D621,656 S	8/2010	Ulanski et al.		
D662,359 S	6/2012	Boozer et al.		
D664,808 S	8/2012	Dickson et al.		
9,370,280 B2	6/2016	Conti		
D782,247 S *	3/2017	Kim	D7/413
D783,356 S	4/2017	Kim et al.		
D798,109 S	9/2017	Ulanski et al.		
D807,118 S *	1/2018	Kettavong	D7/412
D815,886 S *	4/2018	Huang	D7/378
D815,887 S *	4/2018	Huang	D7/378
D821,142 S	6/2018	Ulanski et al.		
D839,670 S	2/2019	Youngmann		

(73) Assignee: **Vita-Mix Management Corporation,**
Olmsted Township, OH (US)

(**) Term: **15 Years**

(21) Appl. No.: **29/787,144**

(22) Filed: **Jun. 4, 2021**

(Continued)

Related U.S. Application Data

(62) Division of application No. 29/721,636, filed on Jan. 22, 2020, now Pat. No. Des. 923,405.

Primary Examiner — Ricky Pham

(51) **LOC (13) Cl.** **31-00**

(74) *Attorney, Agent, or Firm* — McDonald Hopkins LLC

(52) **U.S. Cl.**

(57) **CLAIM**

USPC **D7/413; D7/376; D7/378; D7/412**

The ornamental design for a blending container, as shown and described.

(58) **Field of Classification Search**

DESCRIPTION

USPC D7/318, 372, 376–386, 394, 412–413, D7/602, 629, 665–666, 669, 679, D7/693–694

FIG. 1 is a perspective view of a blending container showing our new design;

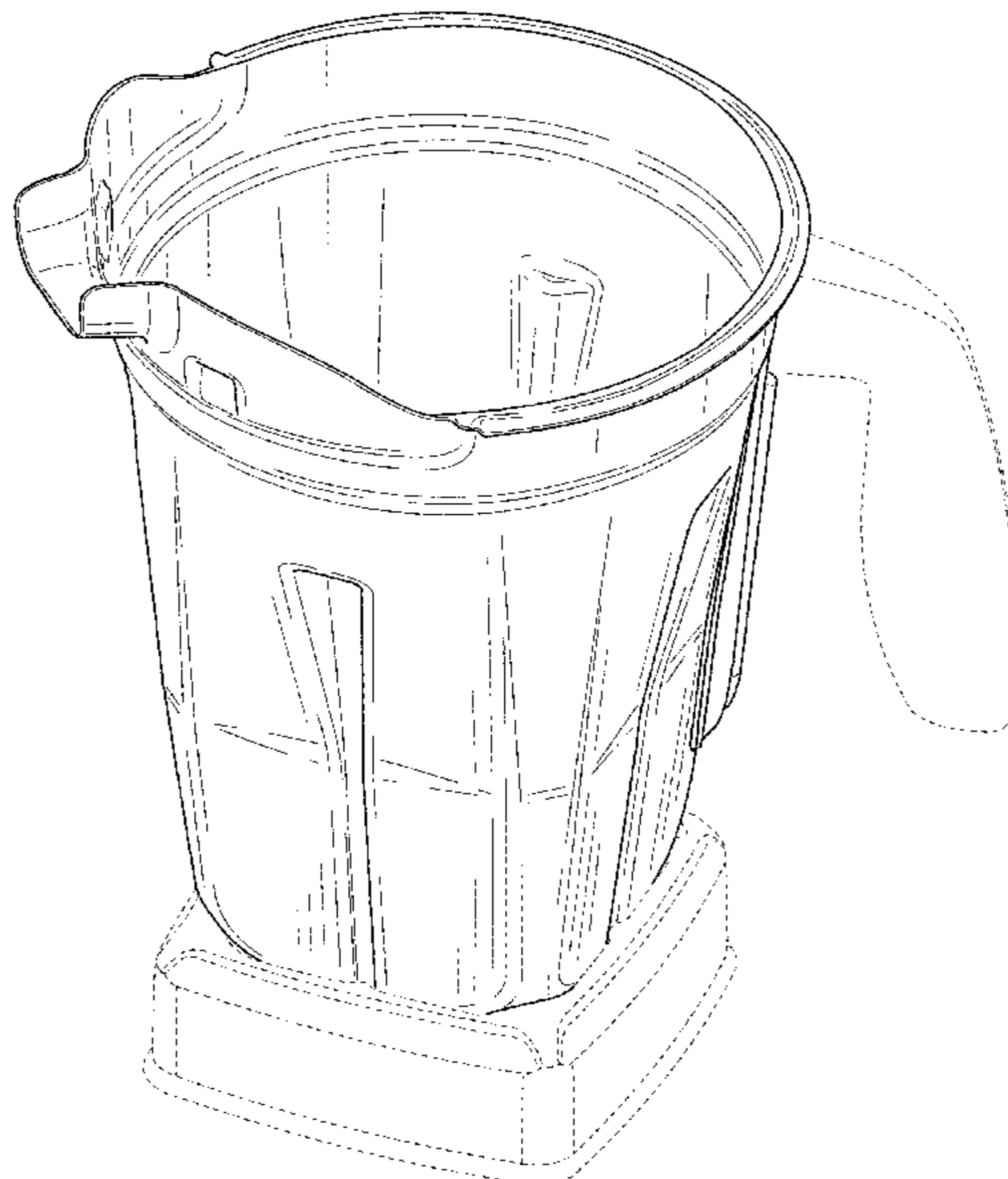
CPC A21C 1/02; A21C 1/04; A23N 1/00; A23N 1/02; A47J 43/04; A47J 43/25; A47J 43/27; A47J 43/042; A47J 43/044; A47J 43/046; A47J 43/06; A47J 43/075; A47J 43/0722; A47J 43/0727; A47J 43/0705; B01F 3/00; B01F 3/0807; B01F 3/0853; B01F 13/0059; B01F 13/0064; B02C 1/08; B02C 2/04; B02C 4/42; B02C 4/142; B02C 4/143; B02C 4/423; B02C 13/1835; B28C 5/10; B28C 5/12; B28C 5/14; B28C 5/16; A23G 9/045

FIG. 2 is a front view thereof;
FIG. 3 is a rear view thereof;
FIG. 4 is a first side view thereof;
FIG. 5 is a second side view thereof;
FIG. 6 is a top view thereof; and,
FIG. 7 is a bottom view thereof.

The broken lines in the figures are included for the purpose of illustrating portions of a container and form no part of the claimed design.

See application file for complete search history.

1 Claim, 6 Drawing Sheets



(56)

References Cited

U.S. PATENT DOCUMENTS

D880,239	S	4/2020	McConnell et al.	
D897,758	S	10/2020	Finnance	
D905,504	S *	12/2020	Upston	D7/413
D923,405	S *	6/2021	Kettavong	D7/413
2005/0258197	A1 *	11/2005	Rukavina	A23G 9/045 222/465.1
2006/0261066	A1 *	11/2006	Boozer	A47J 43/0727 220/254.7
2009/0238034	A1 *	9/2009	Ulanski	A47J 43/0727 366/341
2014/0084094	A1	3/2014	Lee	
2015/0258514	A1 *	9/2015	Boozer	A47J 43/0727 366/142

* cited by examiner



FIG. 1

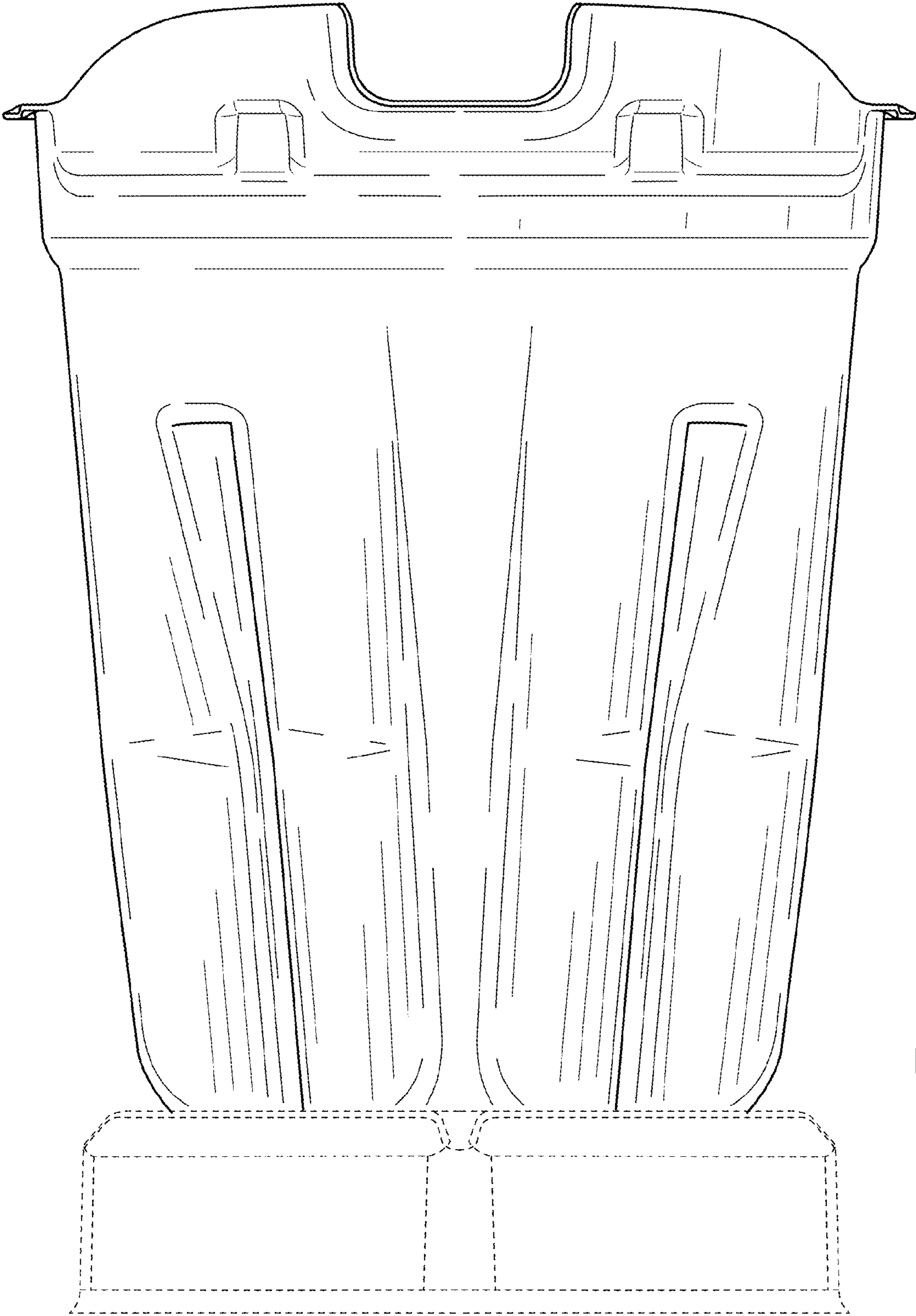


FIG. 2

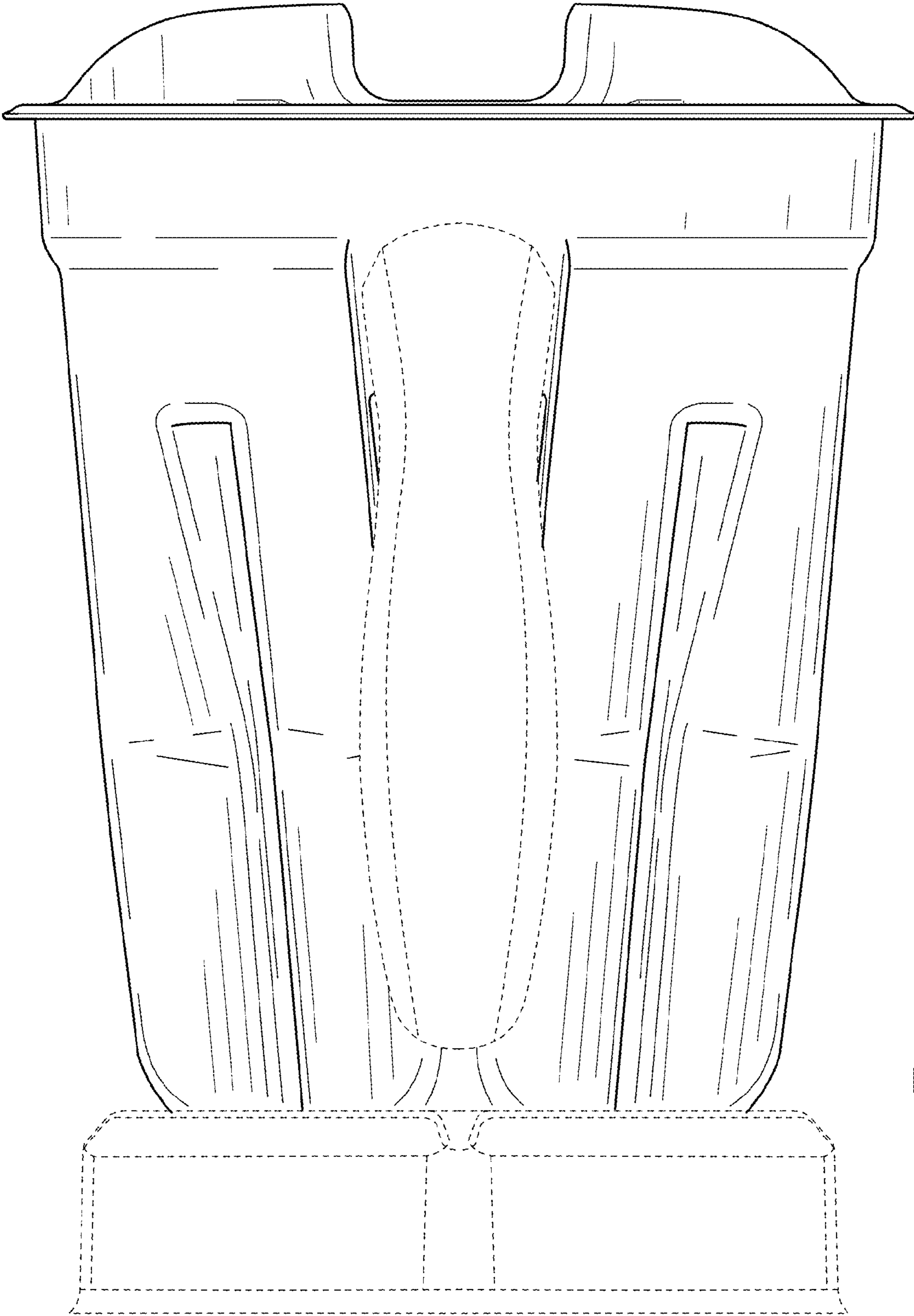


FIG. 3

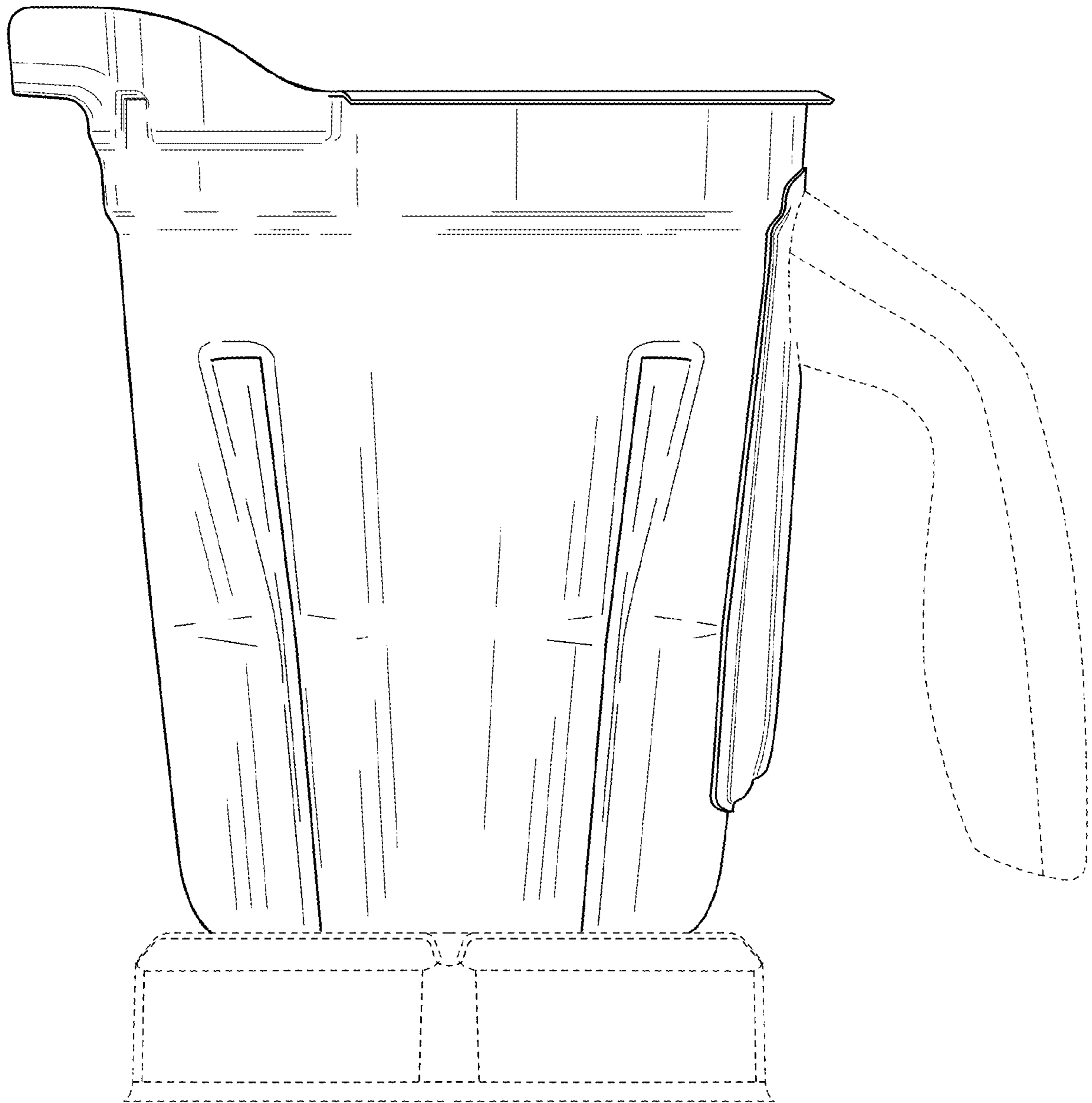


FIG. 4

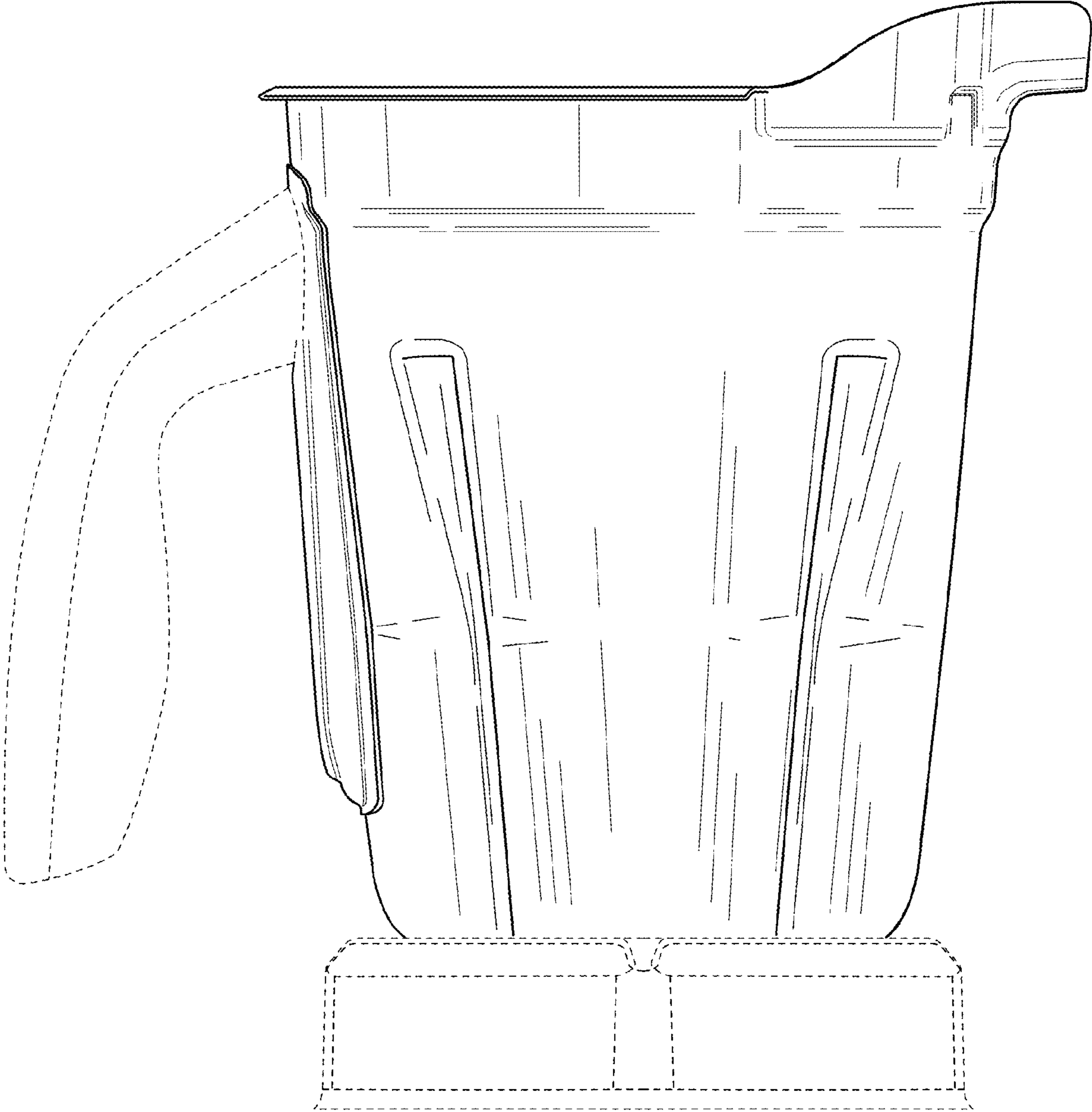


FIG. 5

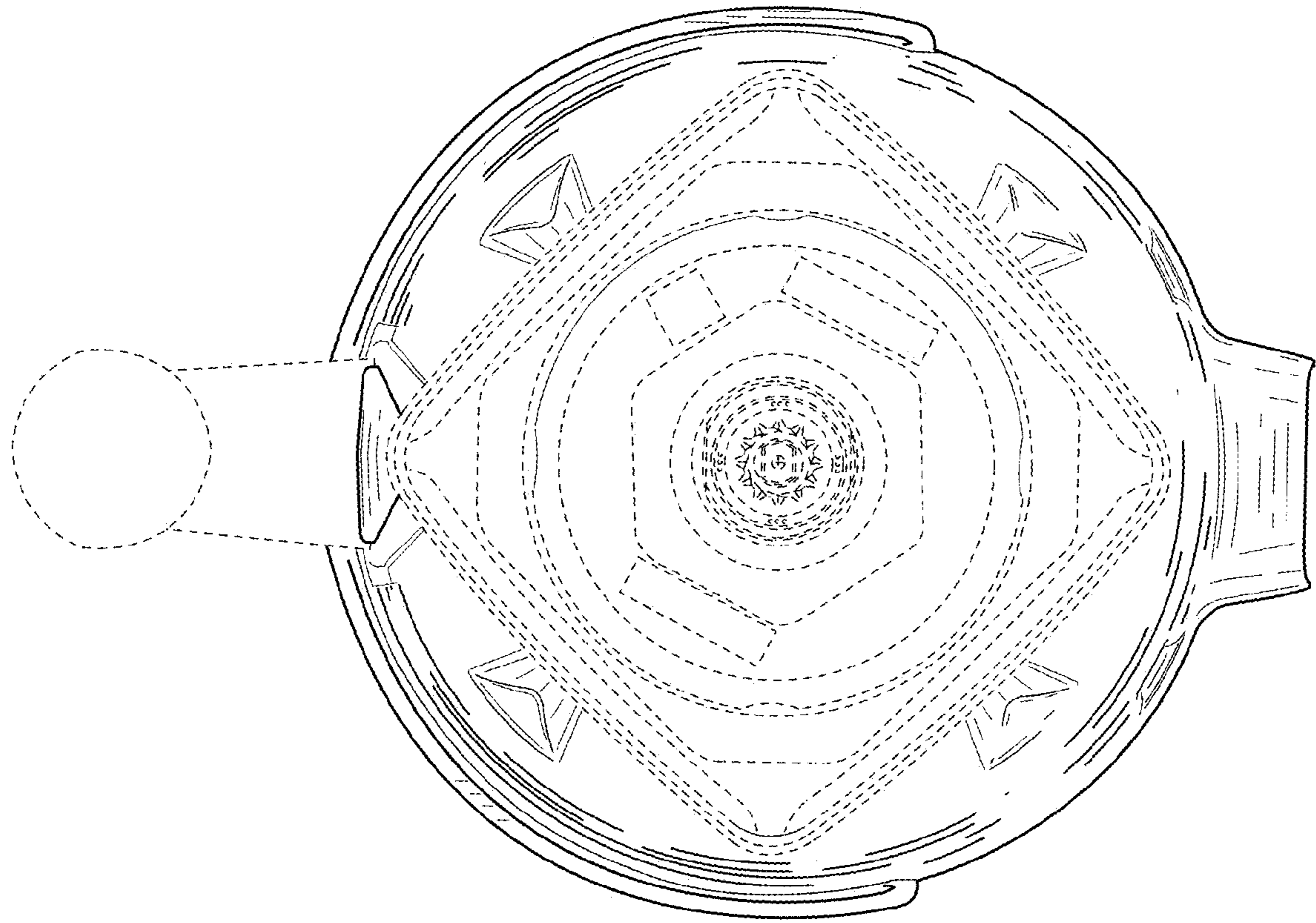


FIG. 7

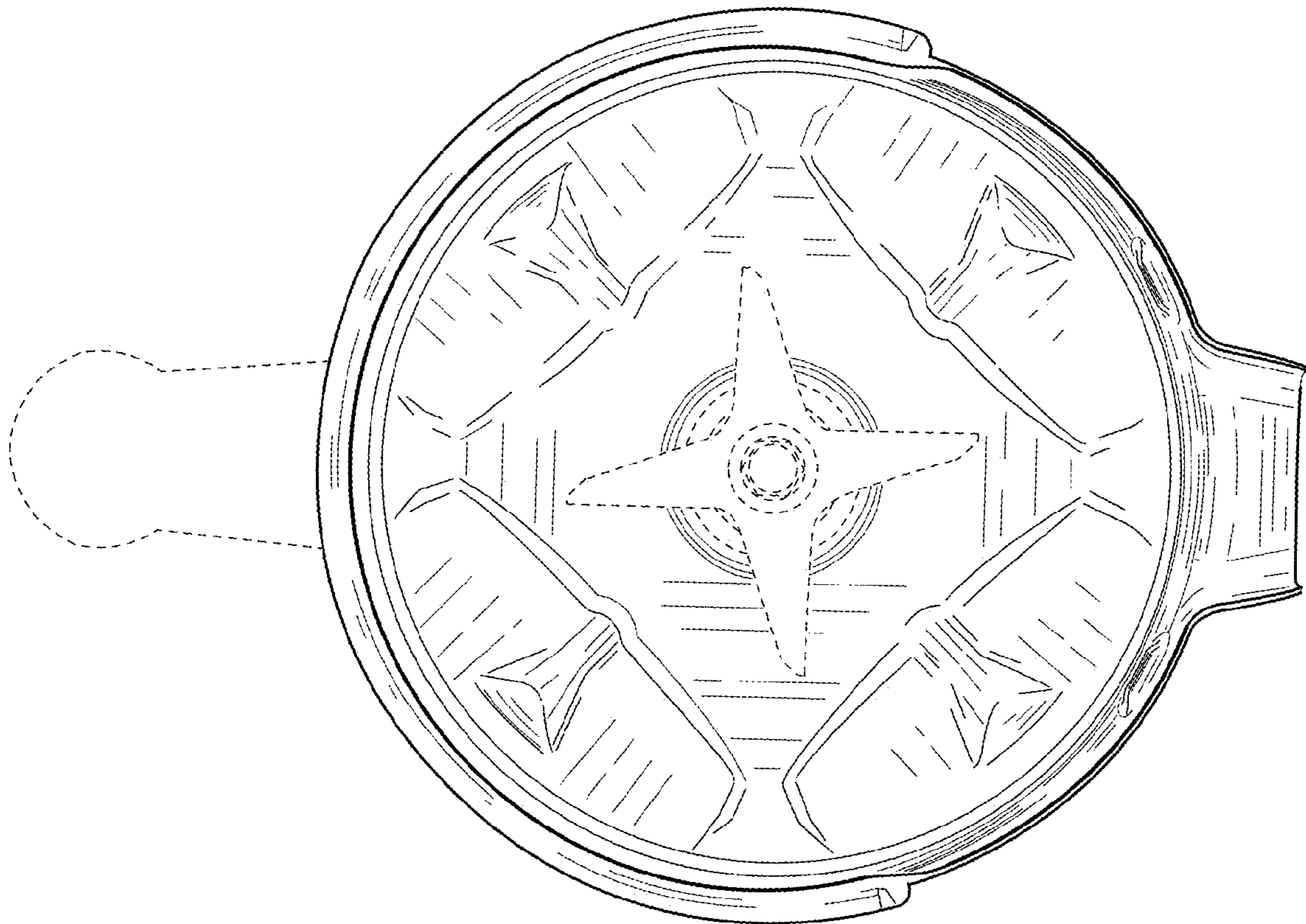


FIG. 6