



US00D938228S

(12) **United States Design Patent**
McConnell et al.

(10) **Patent No.:** **US D938,228 S**

(45) **Date of Patent:** **** Dec. 14, 2021**

(54) **BLENDER JAR**

(71) Applicant: **WHIRLPOOL CORPORATION**,
Benton Harbor, MI (US)

(72) Inventors: **John W. McConnell**, St. Joseph, MI
(US); **Brandon T. Mock**, St. Joseph,
MI (US); **Aaron McNabb Evans**, St.
Joseph, MI (US)

(73) Assignee: **Whirlpool Corporation**, Benton
Harbor, MI (US)

(**) Term: **15 Years**

(21) Appl. No.: **29/781,150**

(22) Filed: **Apr. 28, 2021**

Related U.S. Application Data

(63) Continuation of application No. 29/718,727, filed on
Dec. 27, 2019, now Pat. No. Des. 920,045.

(51) **LOC (13) Cl.** **31-00**

(52) **U.S. Cl.**
USPC **D7/413; D7/376; D7/378; D7/412**

(58) **Field of Classification Search**
USPC D7/372, 376-386, 412-413, 602, 629,
D7/665-666, 669, 679, 693-694
CPC A21C 1/02; A21C 1/04; A23N 1/00; A23N
1/02; A47J 43/04; A47J 43/25; A47J
43/27; A47J 43/042; A47J 43/044; A47J
43/046; A47J 43/075; A47J 43/0722;
A47J 43/0727; B01F 3/00; B01F 3/0807;
B01F 3/0853; B01F 13/0059; B01F
13/0064; B01F 15/00389; B02C 1/08;
B02C 2/04; B02C 4/42; B02C 4/142;
B02C 4/143; B02C 4/423; B02C 13/1835;
B28C 5/10; B28C 5/12; B28C 5/14;
B28C 5/16; F16P 3/08

See application file for complete search history.

(56) **References Cited**

U.S. PATENT DOCUMENTS

D176,257 S 12/1955 Hill et al.
D181,541 S 11/1957 Madl et al.
D187,684 S 4/1960 Hauser et al.
D200,494 S 3/1965 Bezark, Jr.
D287,327 S 12/1986 Cavalli
D310,153 S 8/1990 Kaiser
D424,371 S 5/2000 Delmonte

(Continued)

Primary Examiner — Ricky Pham

(74) *Attorney, Agent, or Firm* — Price Heneveld LLP

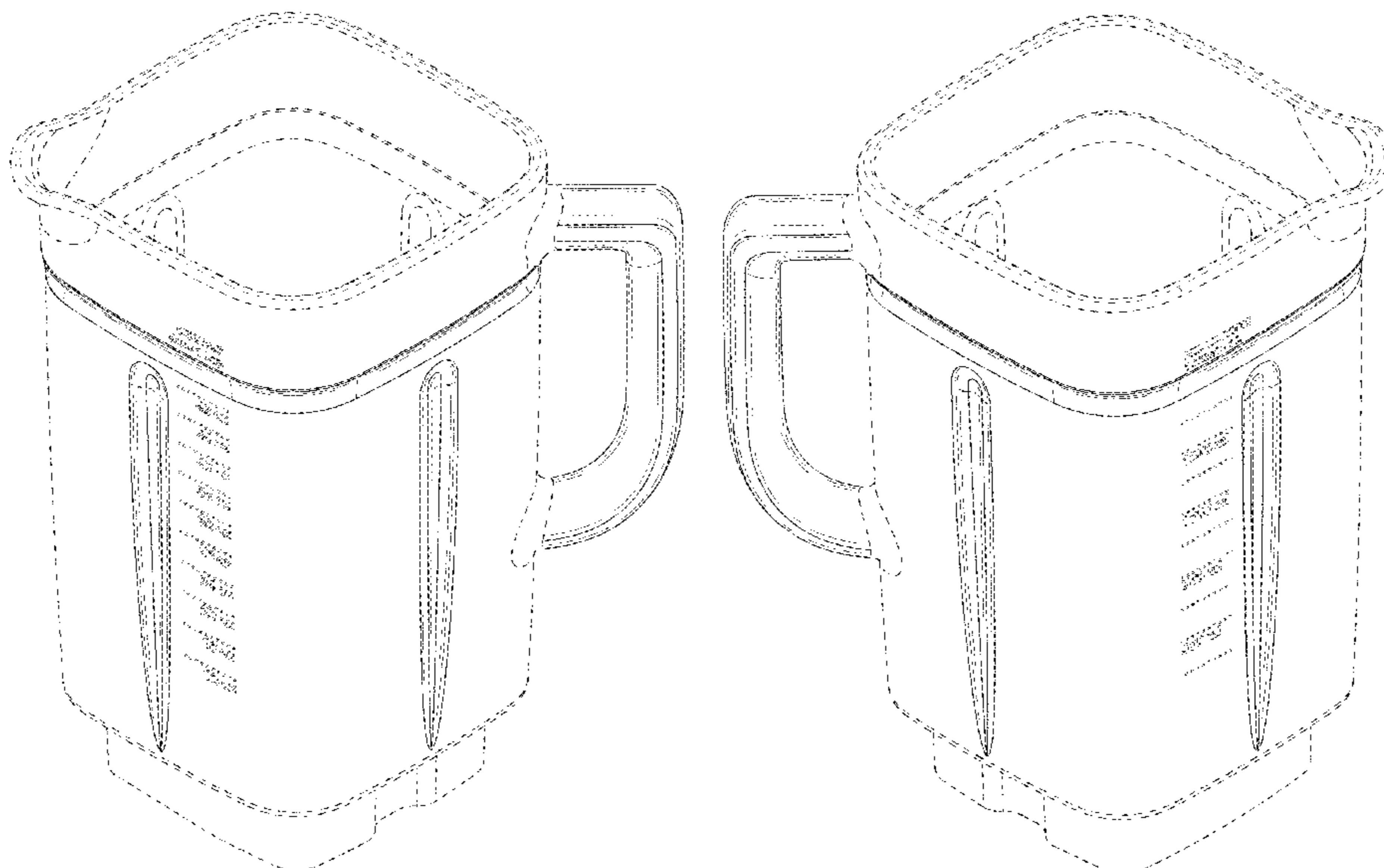
(57) **CLAIM**

We claim the ornamental design for a blender jar, as shown
and described.

DESCRIPTION

FIG. 1 is a first side perspective view of a blender jar of the
present disclosure;
FIG. 2 is a second side perspective view of the blender jar
of FIG. 1;
FIG. 3 is a front perspective view of the blender jar of FIG.
1;
FIG. 4 is a rear perspective view of the blender jar of FIG.
1;
FIG. 5 is a first side elevational view of the blender jar of
FIG. 1;
FIG. 6 is a second side elevational view of the blender jar of
FIG. 1;
FIG. 7 is a third side elevational view of the blender jar of
FIG. 1;
FIG. 8 is a fourth side elevational view of the blender jar of
FIG. 1;
FIG. 9 is a top plan view of the blender jar of FIG. 1; and,
FIG. 10 is a bottom plan view of the blender jar of FIG. 1.
The broken lines depict portions of the article that form no
part of the claimed design.

1 Claim, 10 Drawing Sheets



(56)

References Cited

U.S. PATENT DOCUMENTS

D424,865 S 5/2000 Crescenzi et al.
 D444,995 S 7/2001 Thackray
 D480,915 S 10/2003 Kolar et al.
 D484,357 S 12/2003 Seum et al.
 D488,344 S 4/2004 Seum et al.
 D502,047 S 2/2005 Ledingham et al.
 D502,842 S 3/2005 Hallar
 D526,531 S 8/2006 Drees et al.
 D533,395 S 12/2006 Drees et al.
 D547,601 S 7/2007 Ting et al.
 D552,412 S 10/2007 Steiner
 D577,257 S 9/2008 Kuan
 D577,537 S 9/2008 Lee
 D578,340 S 10/2008 Picozza et al.
 D578,341 S 10/2008 Picozza et al.
 D587,064 S 2/2009 Mark
 D594,697 S 6/2009 Lavy
 D605,462 S 12/2009 Picozza et al.
 D616,244 S 5/2010 Thai et al.
 D617,136 S 6/2010 Bock et al.
 D631,282 S 1/2011 Ferraby
 D637,870 S 5/2011 Bock
 D642,858 S 8/2011 Lazzer
 D644,480 S 9/2011 Czach et al.
 D667,683 S 9/2012 Czach et al.
 D670,531 S 11/2012 Carlson
 D683,180 S 5/2013 Carlson
 D684,818 S 6/2013 Lee
 D694,572 S 12/2013 Kobos et al.
 D694,573 S 12/2013 Norland et al.
 D694,574 S 12/2013 Norland et al.
 D694,582 S 12/2013 Norland
 D694,583 S 12/2013 Norland
 D702,993 S 4/2014 Lownds
 D711,682 S 8/2014 Norland et al.
 D731,234 S 6/2015 Weaden et al.
 D731,236 S 6/2015 Yin
 D739,679 S 9/2015 Benoit et al.

D742,172 S 11/2015 Dickson, Jr. et al.
 D747,135 S 1/2016 Ha
 D755,004 S 5/2016 Bock et al.
 D761,617 S 7/2016 Dennisur et al.
 D769,061 S 10/2016 Diderotto
 D770,226 S 11/2016 McConnell et al.
 D772,008 S 11/2016 McConnell et al.
 D772,009 S 11/2016 McConnell et al.
 D781,098 S 3/2017 Bond et al.
 D784,071 S 4/2017 Davies
 D784,761 S * 4/2017 Tu D7/413
 D786,613 S 5/2017 McConnell et al.
 D794,381 S 8/2017 McConnell et al.
 D798,101 S * 9/2017 Rose D7/378
 D798,109 S 9/2017 Ulanski et al.
 D798,653 S 10/2017 Fan
 D807,700 S * 1/2018 Tu D7/413
 D808,719 S 1/2018 Coakley
 D811,167 S * 2/2018 Smith D7/413
 D811,806 S 3/2018 Bock
 D815,887 S 4/2018 Huang et al.
 D828,080 S 9/2018 Ou et al.
 D829,496 S 10/2018 Kim
 D833,814 S 11/2018 Smith
 D842,643 S 3/2019 Mullen et al.
 D851,982 S 6/2019 DeLeo et al.
 D874,869 S * 2/2020 McConnell D7/386
 D880,239 S 4/2020 McConnell et al.
 D905,493 S * 12/2020 Ye D7/378
 D905,504 S 12/2020 Upston
 D920,045 S * 5/2021 McConnell D7/413
 D925,270 S * 7/2021 Bannister D7/378
 D925,271 S * 7/2021 Palladino D7/378
 D925,284 S * 7/2021 Bannister D7/413
 2012/0206995 A1 * 8/2012 Wu F16P 3/08
 366/205
 2015/0238050 A1 8/2015 Lee
 2016/0296899 A1 * 10/2016 Hoare B01F 15/00389
 2016/0324369 A1 * 11/2016 Lee A47J 43/046

* cited by examiner

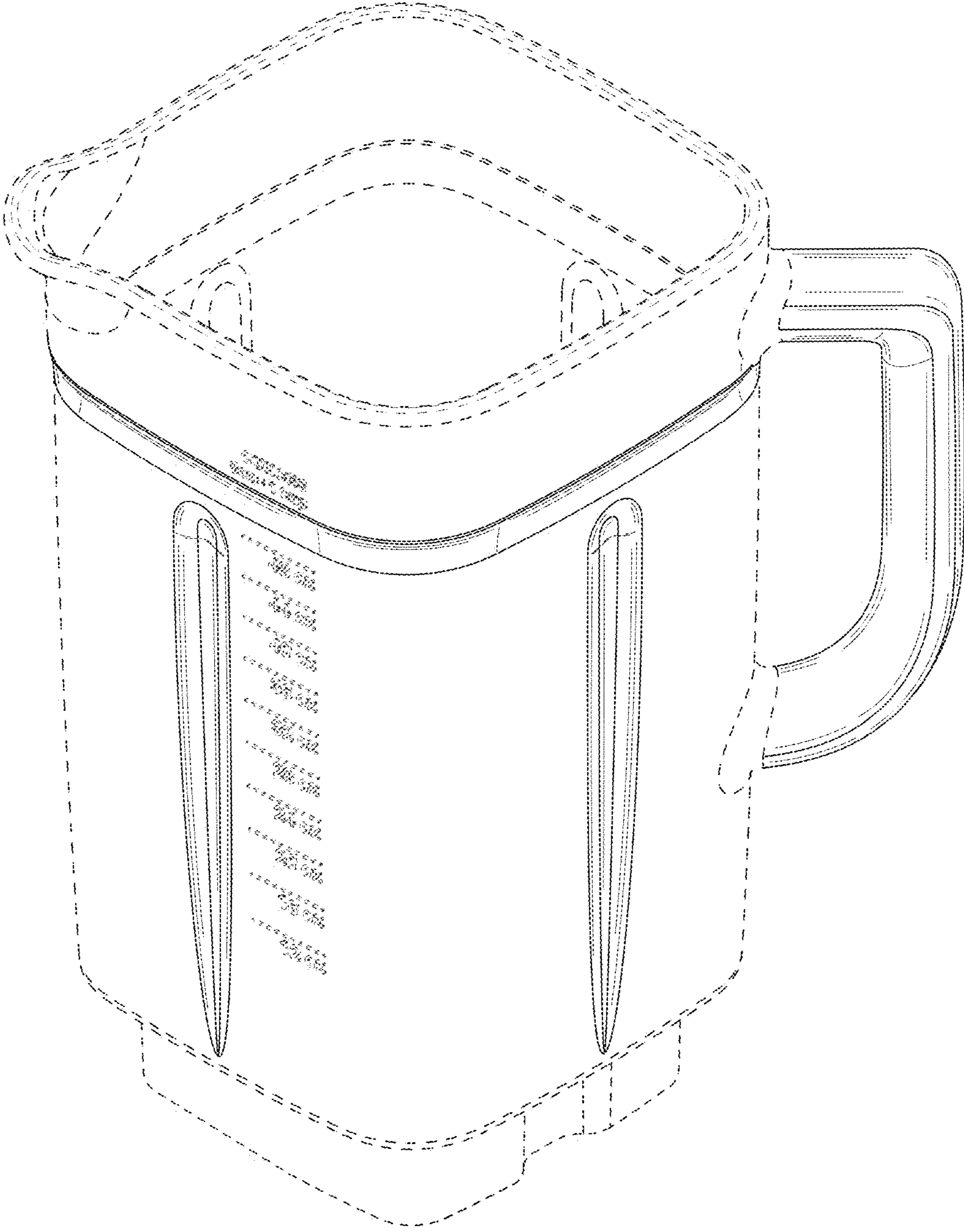


FIG. 1

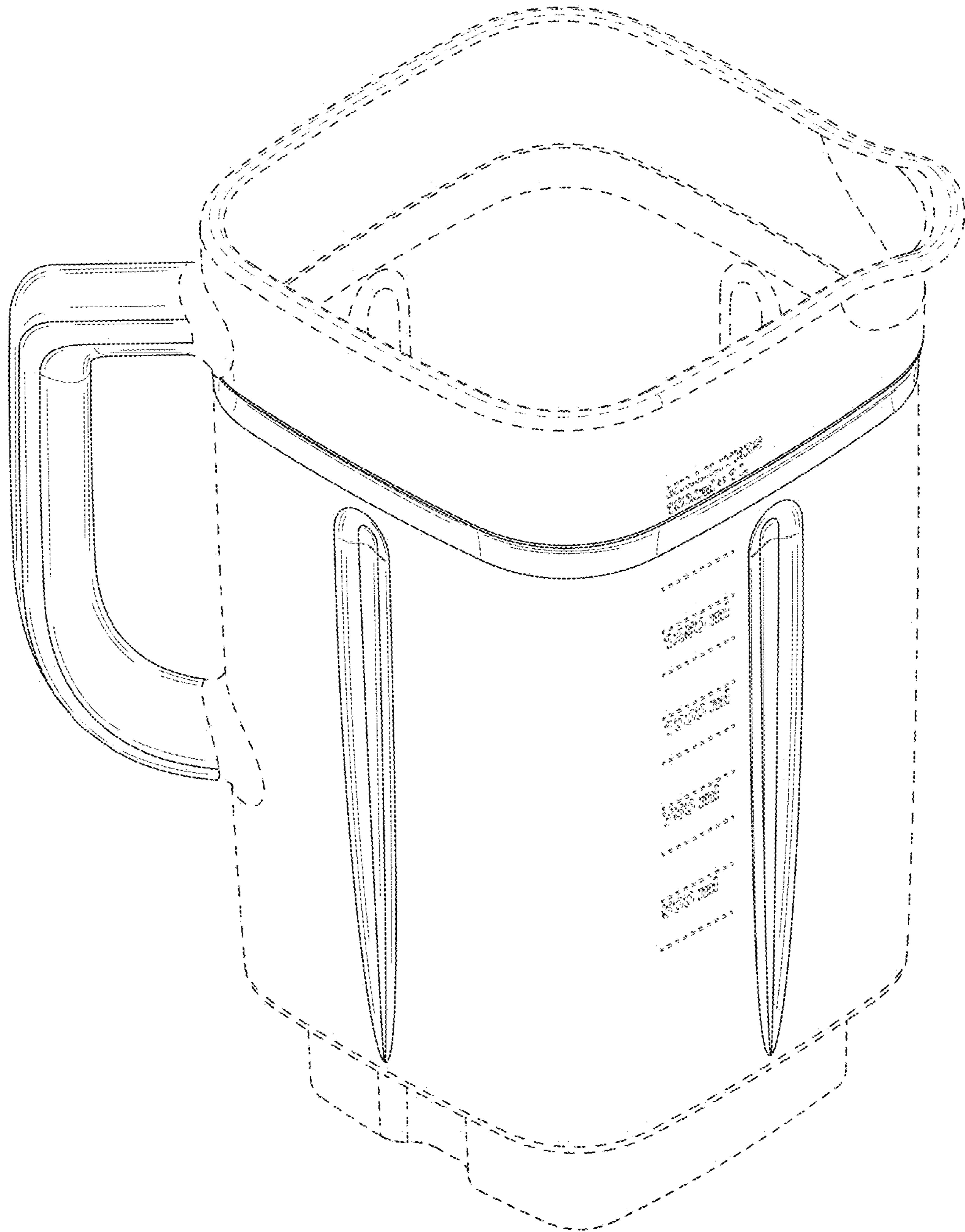


FIG. 2

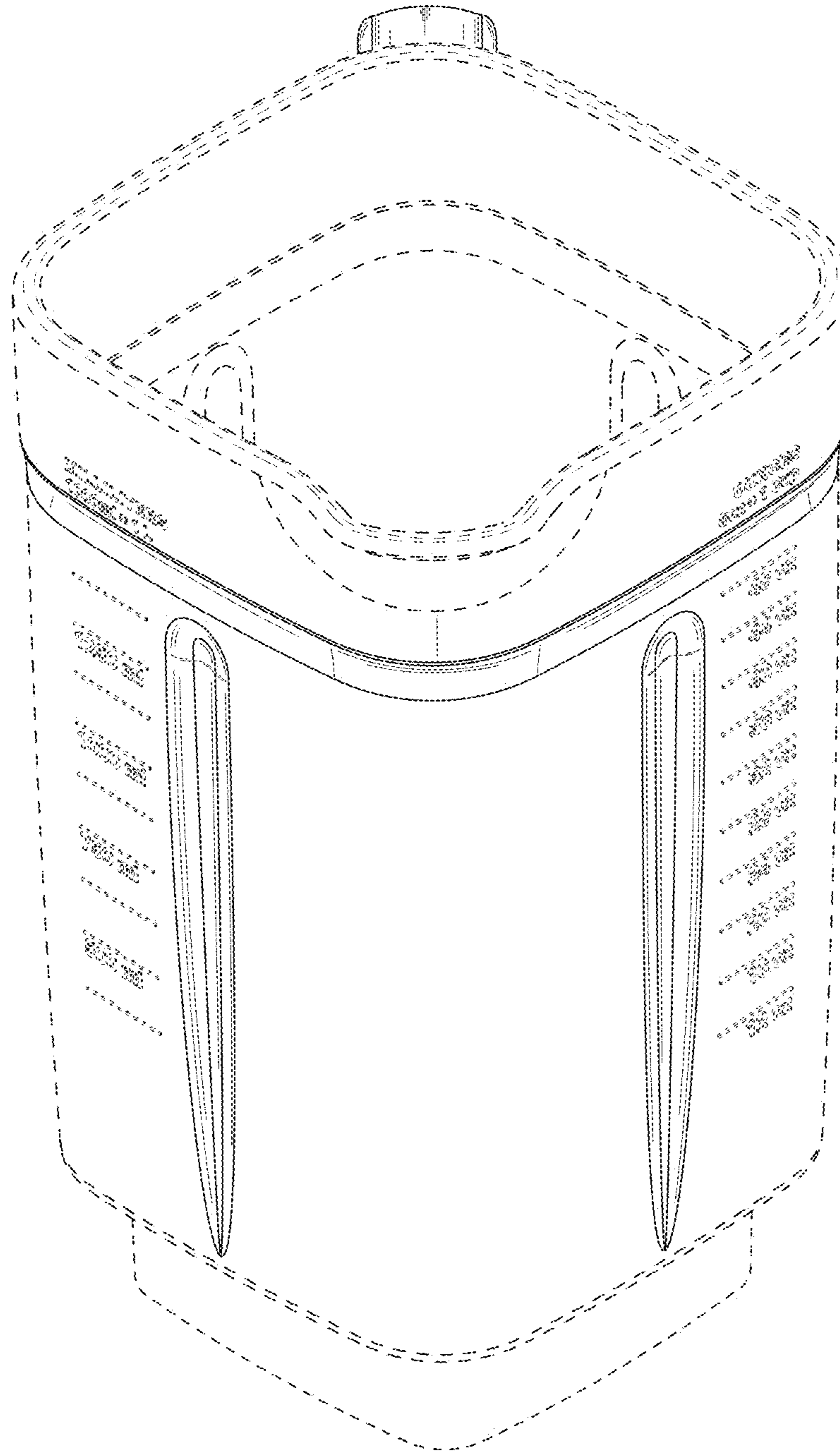


FIG. 3

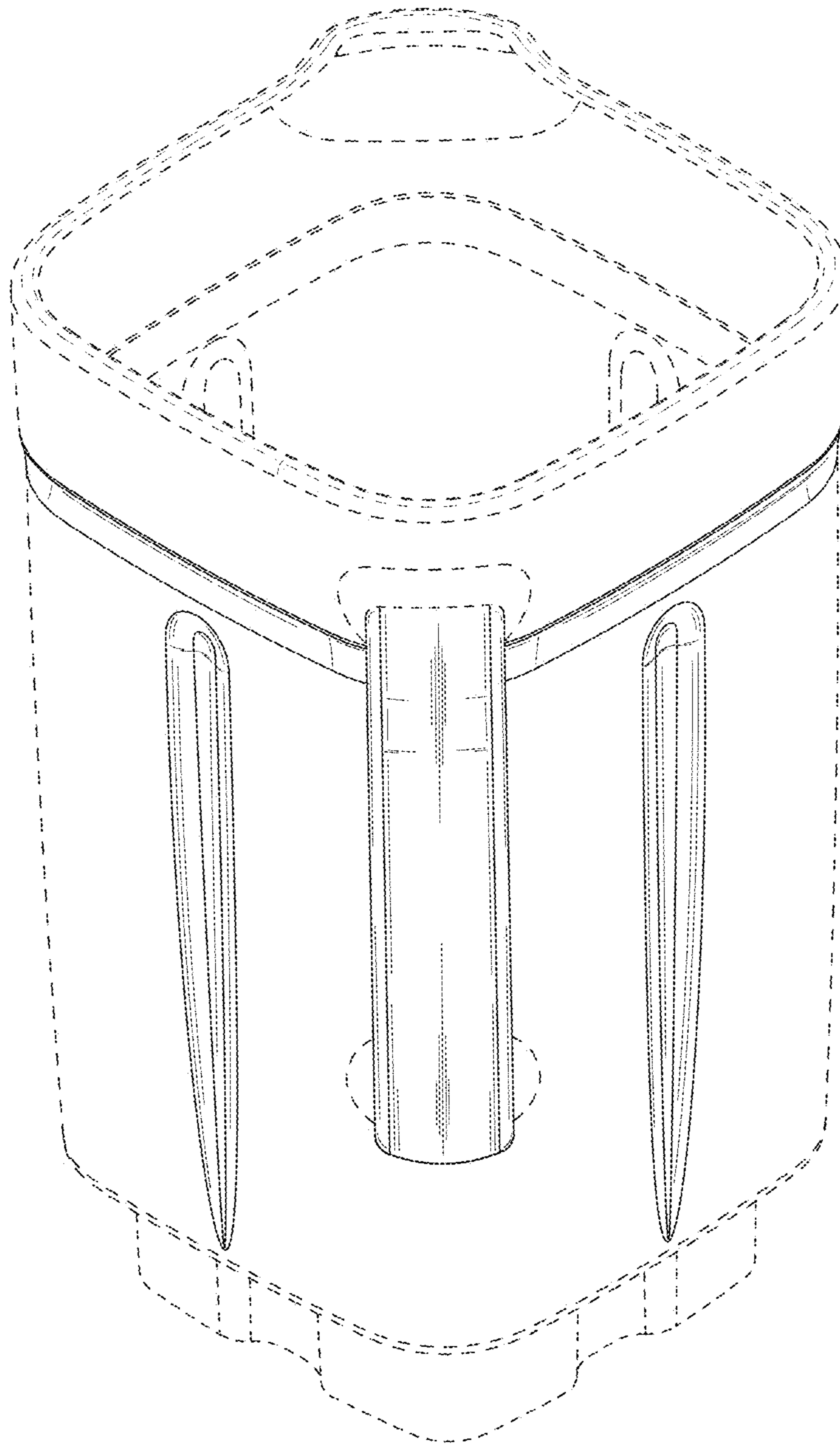


FIG. 4

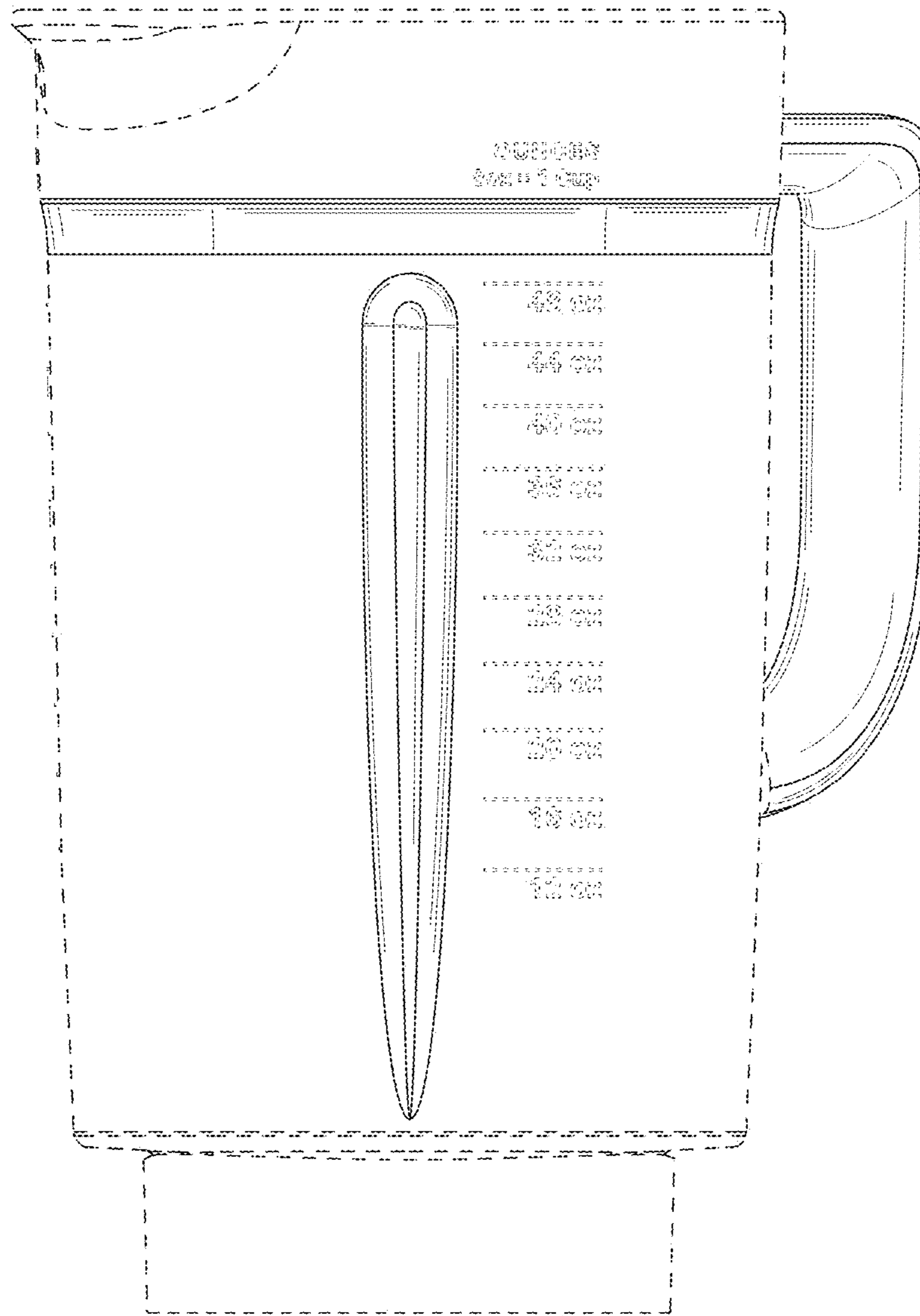


FIG. 5

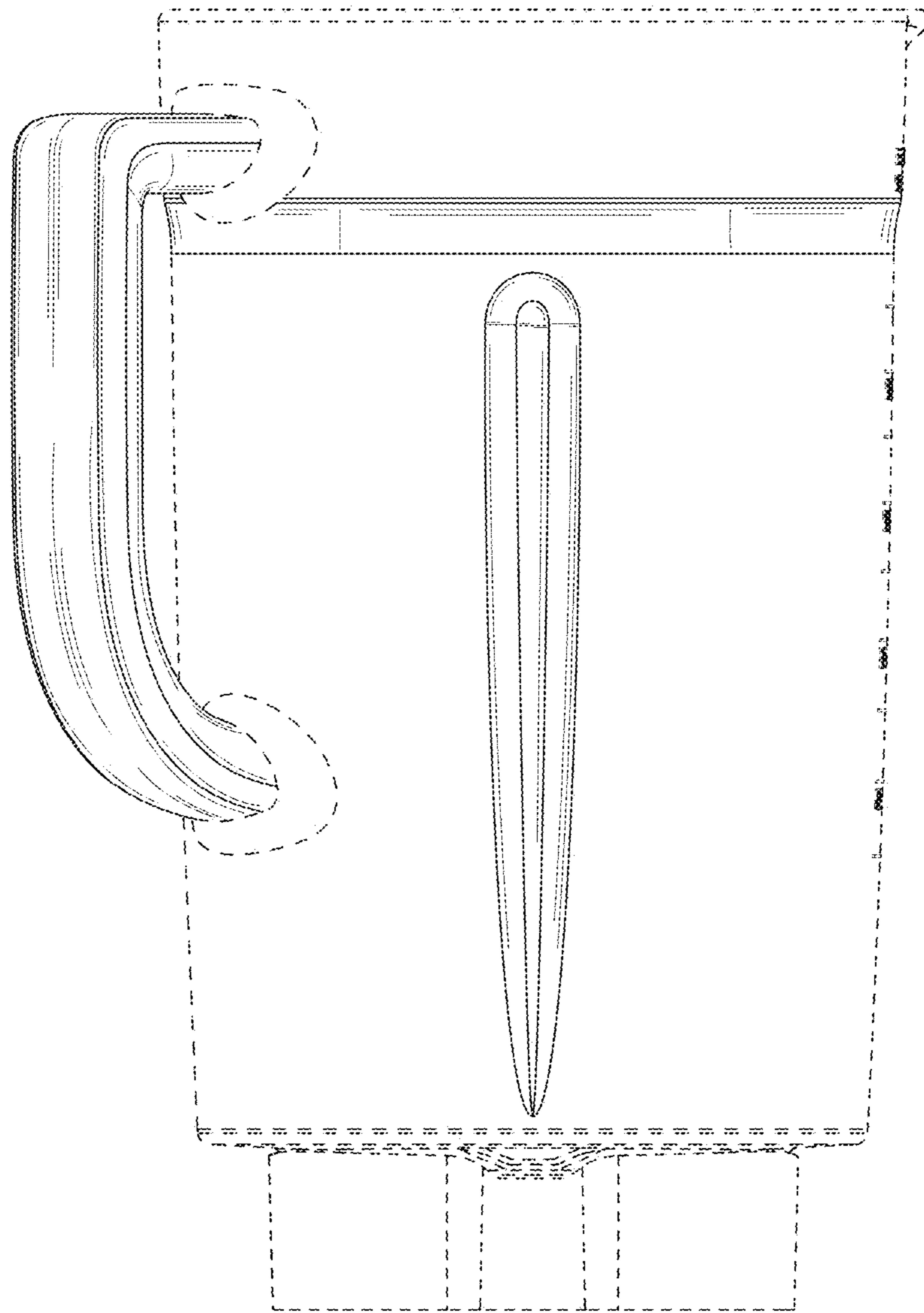


FIG. 6

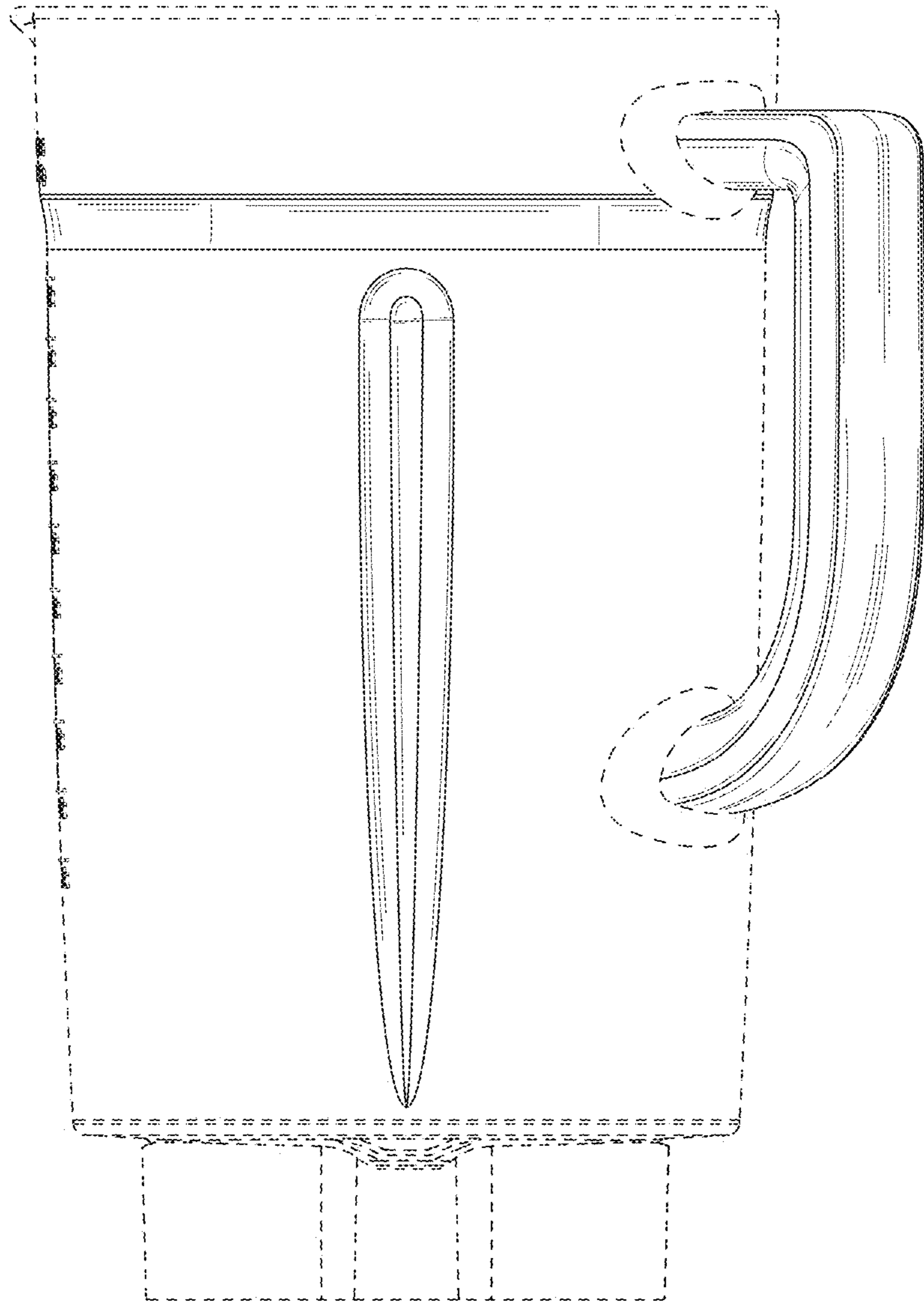


FIG. 7

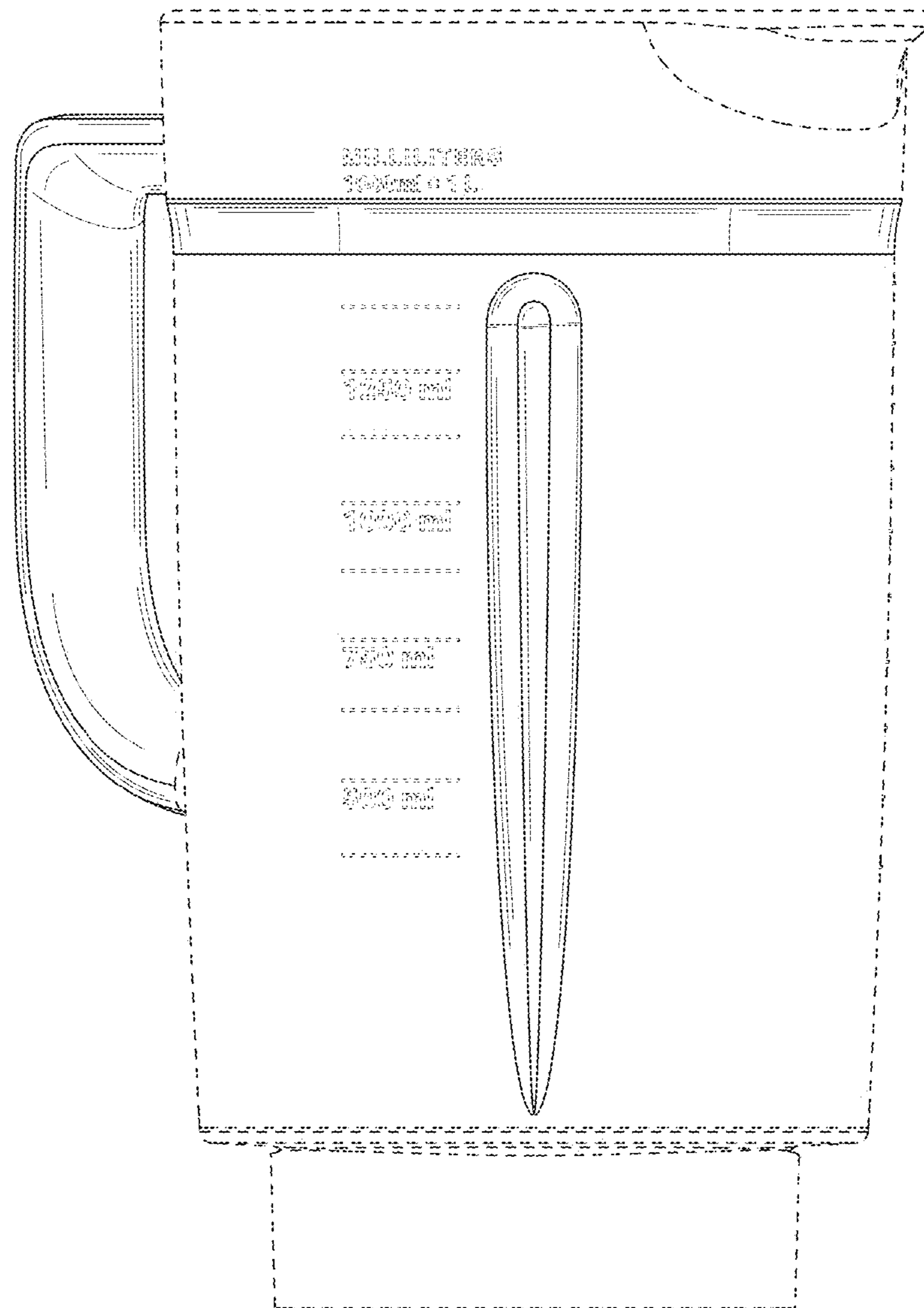


FIG. 8

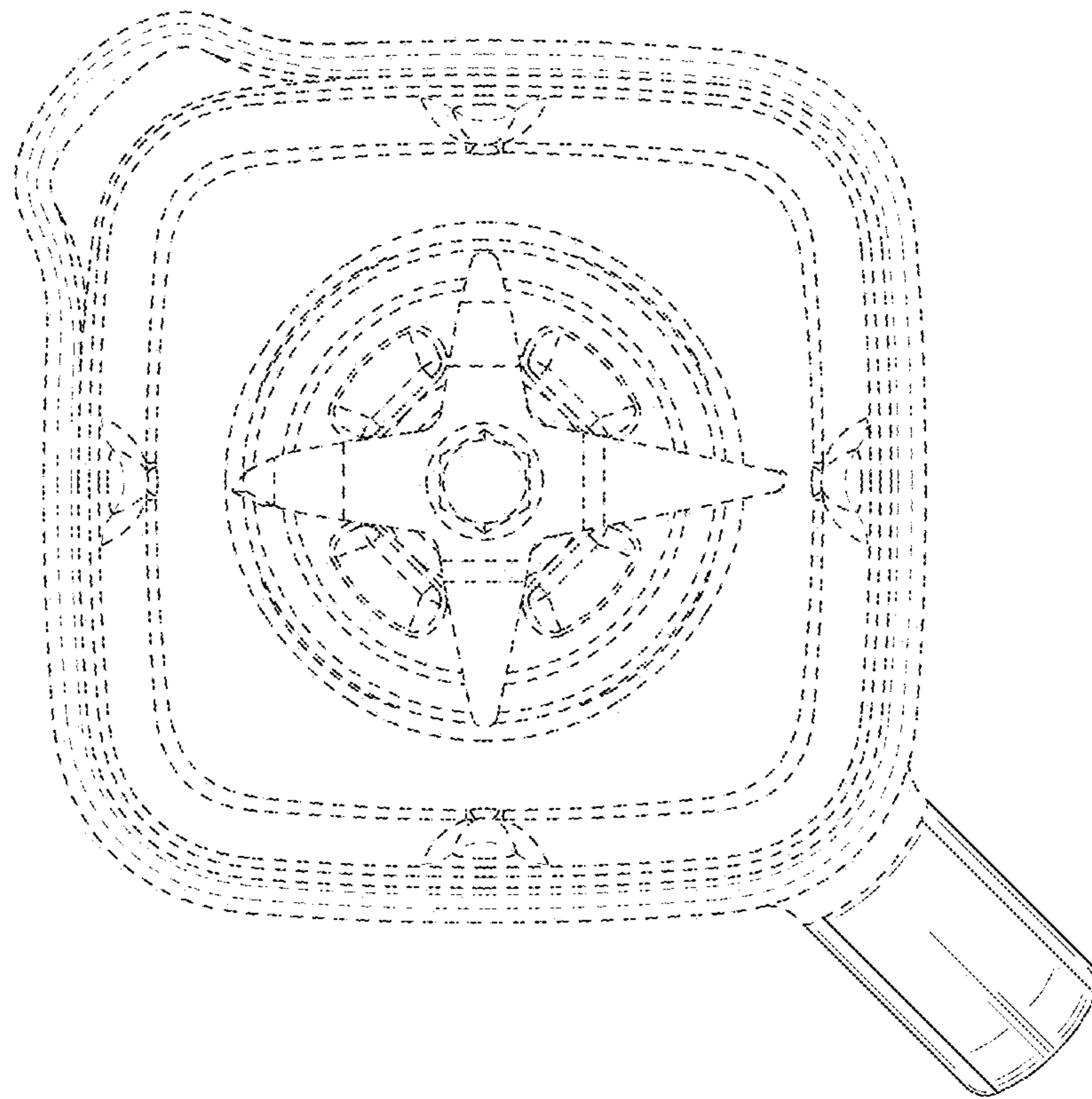


FIG. 9

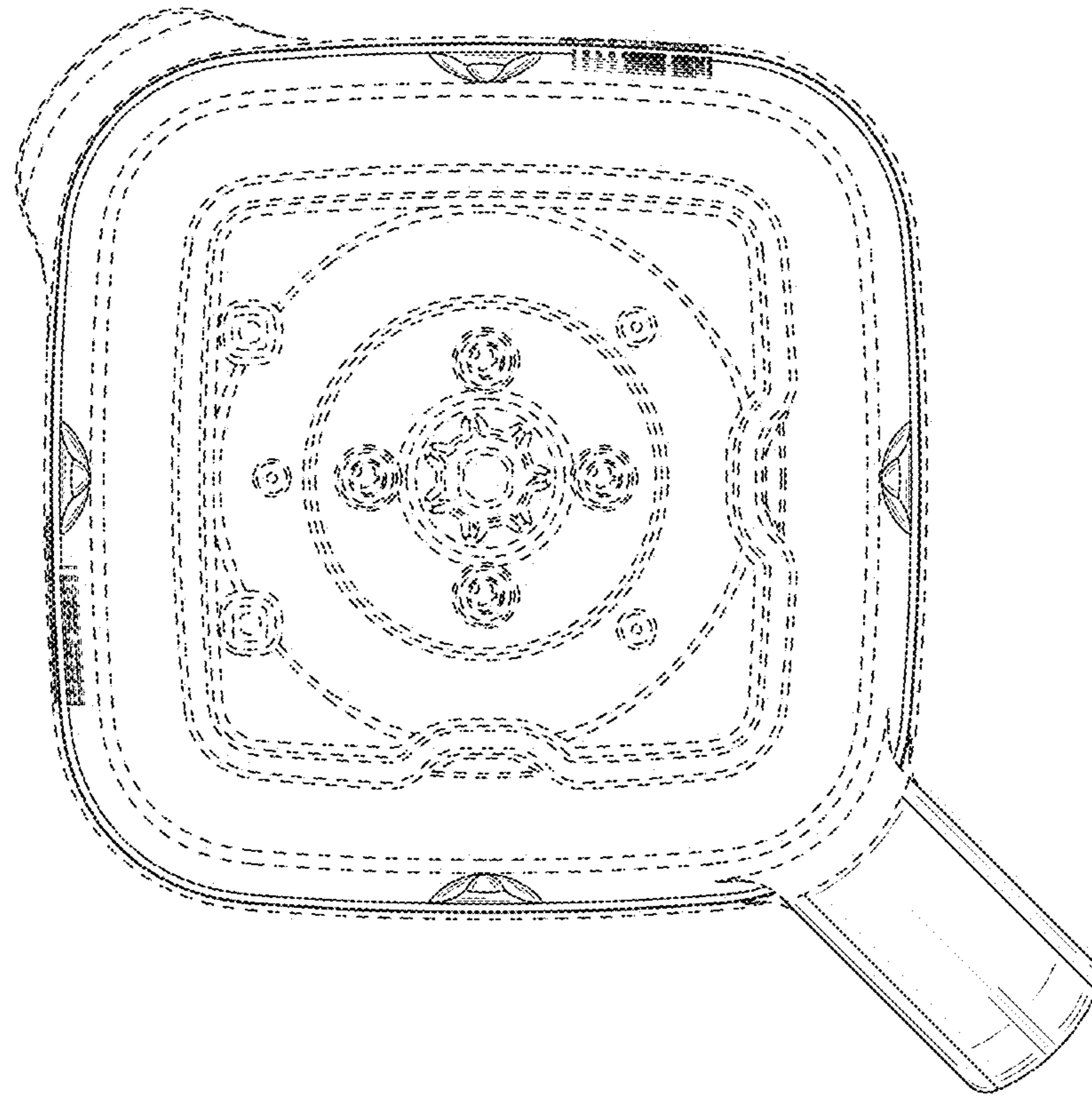


FIG. 10