



US00D938226S

(12) **United States Design Patent** (10) **Patent No.:** **US D938,226 S**
Campbell et al. (45) **Date of Patent:** **** Dec. 14, 2021**

(54) **MOUTHPIECE**

(56) **References Cited**

(71) Applicant: **CAMELBAK PRODUCTS, LLC**,
Petaluma, CA (US)

(72) Inventors: **Derek Campbell**, Petaluma, CA (US);
Eric Mar, San Rafael, CA (US);
Kelsey O. Hammond, Santa Rosa, CA
(US)

(73) Assignee: **CAMELBAK PRODUCTS, LLC**,
Petaluma, CA (US)

(**) Term: **15 Years**

(21) Appl. No.: **29/753,713**

(22) Filed: **Oct. 1, 2020**

U.S. PATENT DOCUMENTS

D241,355 S * 9/1976 Fenster D27/163
6,279,772 B1 * 8/2001 Bowman B65D 47/2031
220/703
D537,714 S * 3/2007 Yerby D9/445
D566,549 S * 4/2008 Russell D9/445
D597,213 S * 7/2009 Barnett D24/117
8,584,902 B2 * 11/2013 Dejonge B65D 50/061
222/153.1
D708,518 S * 7/2014 Ivosevic D9/445
D730,730 S * 6/2015 Haley D9/440

(Continued)

Primary Examiner — Jae Liang
(74) *Attorney, Agent, or Firm* — Amardeep S. Grewal;
Gerard M. Donovan; Reed Smith LLP

(57) **CLAIM**

The ornamental design for a mouthpiece, as shown and described.

Related U.S. Application Data

(63) Continuation of application No. 29/671,012, filed on Nov. 21, 2018, now Pat. No. Des. 901,238, which is a continuation-in-part of application No. 29/649,585, filed on May 31, 2018, now Pat. No. Des. 871,836.

(51) **LOC (13) Cl.** **07-01**

(52) **U.S. Cl.**
USPC **D7/396.2; D7/391; D9/435**

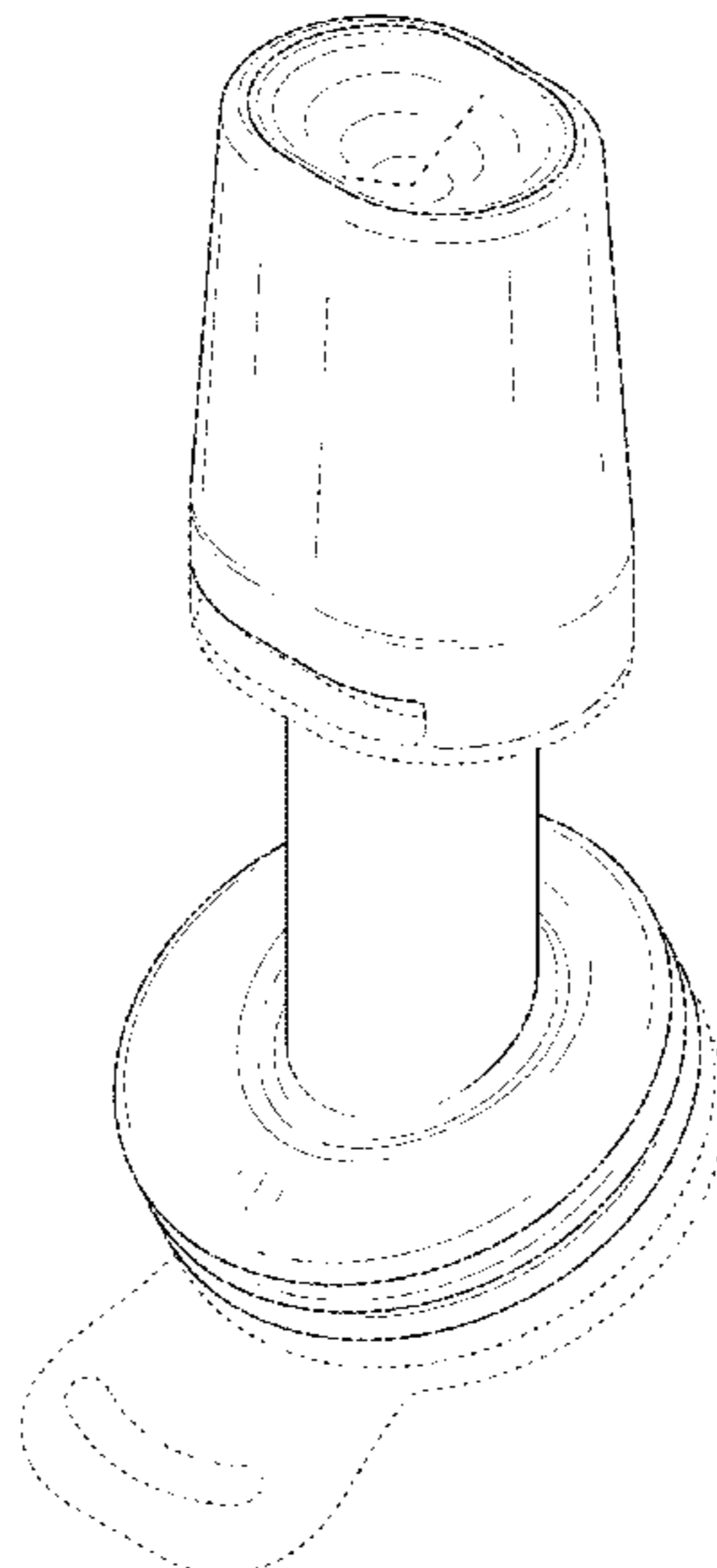
(58) **Field of Classification Search**
USPC D7/387, 388, 391, 392.1, 396.1, 393, D7/396, 396.6, 507, 509, 510, 511, 624.1, D7/624.2, 601, 602, 608, 530, 531, 409, D7/523, 396.2; D13/171, 174; D9/435, D9/436, 454, 455, 456, 439, 443, 450, D9/434
CPC A47G 19/22; A47G 19/2211; A47G 19/2216; A47F 3/16; A47J 27/21008; A47J 27/21041

See application file for complete search history.

DESCRIPTION

FIG. 1 is a perspective view of a mouthpiece showing the new design;
FIG. 2 is a front view thereof;
FIG. 3 is a rear view thereof;
FIG. 4 is side view thereof;
FIG. 5 is another side view thereof;
FIG. 6 is a top view thereof;
FIG. 7 is a bottom view thereof;
FIG. 8 is another perspective view thereof;
FIG. 9 is another perspective view thereof; and,
FIG. 10 is another perspective view thereof.
The dashed lines shown in the drawings illustrate portions of the mouthpiece that are not presently claimed and thus form no part of the presently claimed design. The shading lines shown in the drawings represent the three-dimensional contour of the claimed design and are not intended to indicate surface decoration. The dot-dash broken lines define the bounds of the claimed design and form no part thereof.

1 Claim, 9 Drawing Sheets



(56)

References Cited

U.S. PATENT DOCUMENTS

D769,712 S * 10/2016 Antignane D9/445
D835,937 S * 12/2018 Nichols D7/392.1
D847,560 S * 5/2019 Galland D7/392.1
D860,716 S * 9/2019 Abante D7/392.1
D871,133 S * 12/2019 Bullock D7/392.1
D871,836 S * 1/2020 Campbell D7/396.2
D901,238 S * 11/2020 Campbell D7/396.2
2014/0069947 A1 * 3/2014 Smith A47G 19/2272
220/714
2019/0367224 A1 * 12/2019 Campbell B65D 47/2031

* cited by examiner

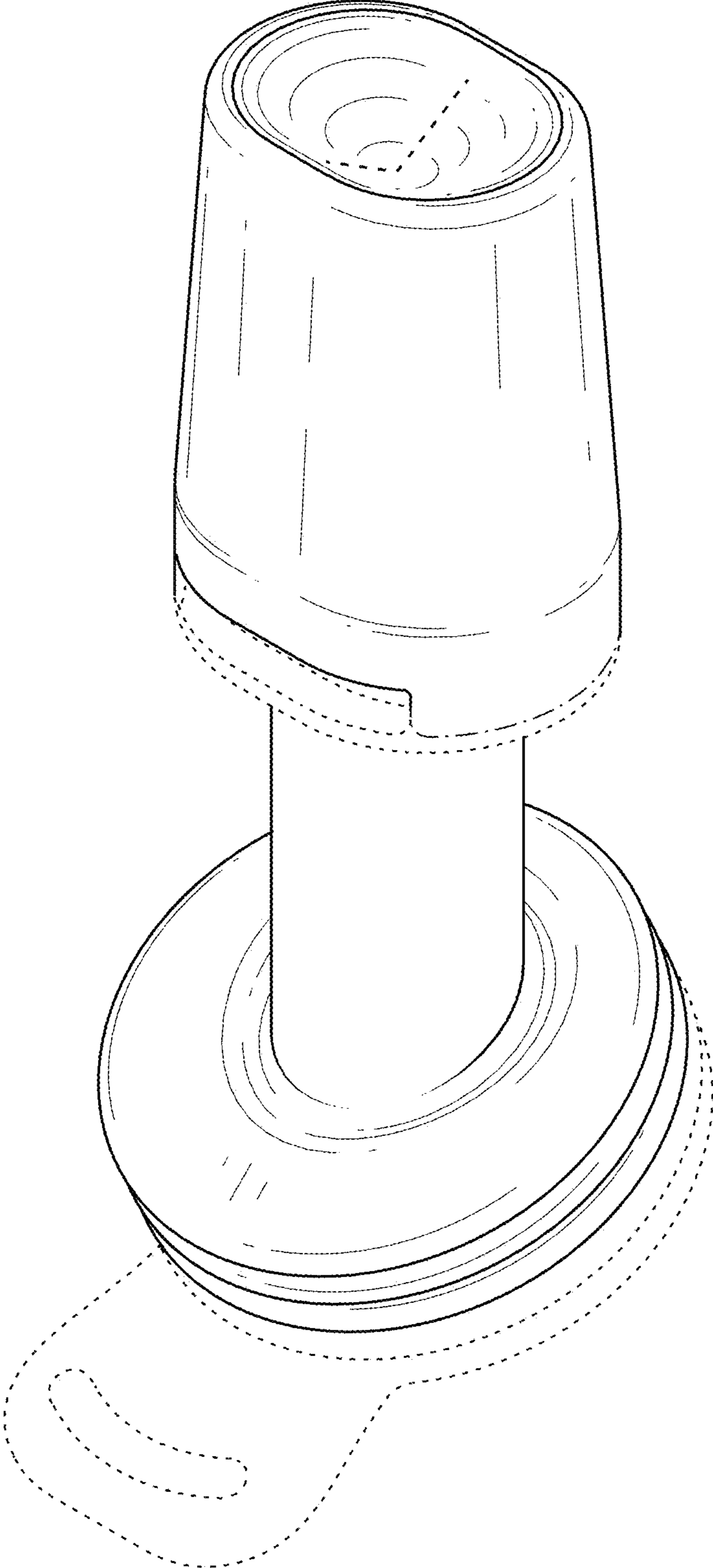


FIG. 1

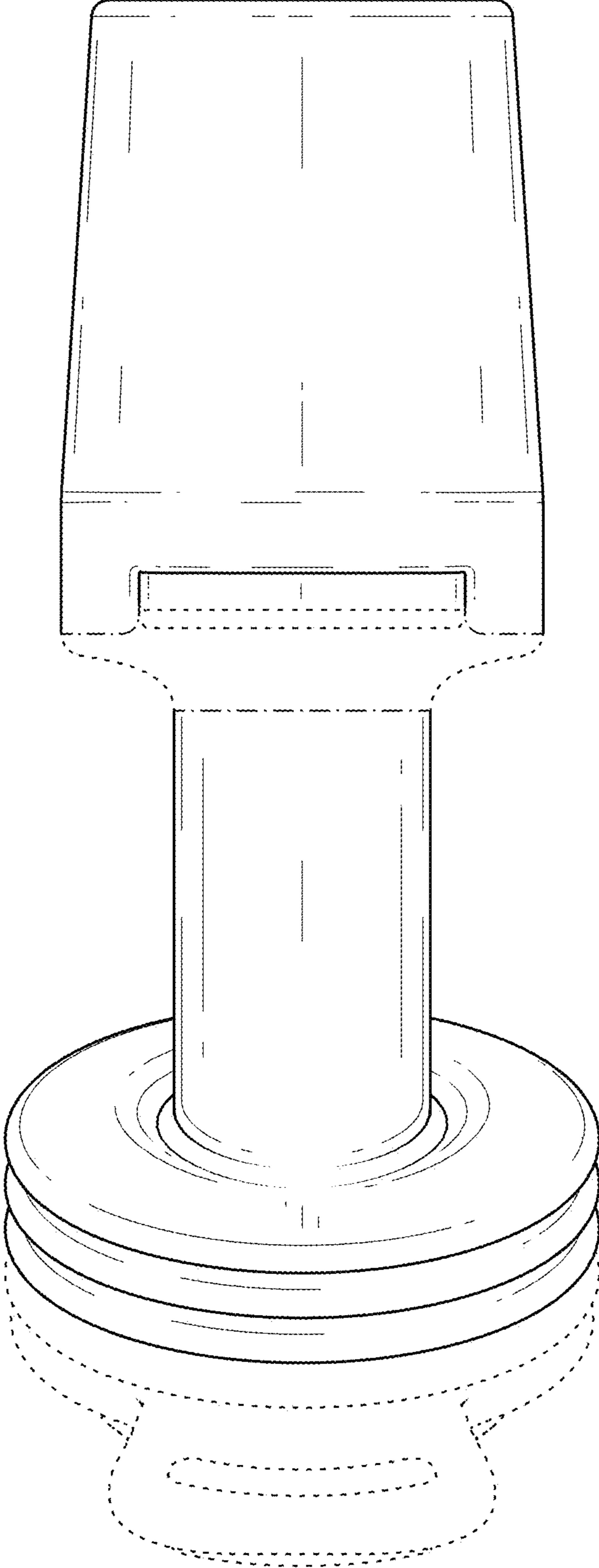


FIG. 2

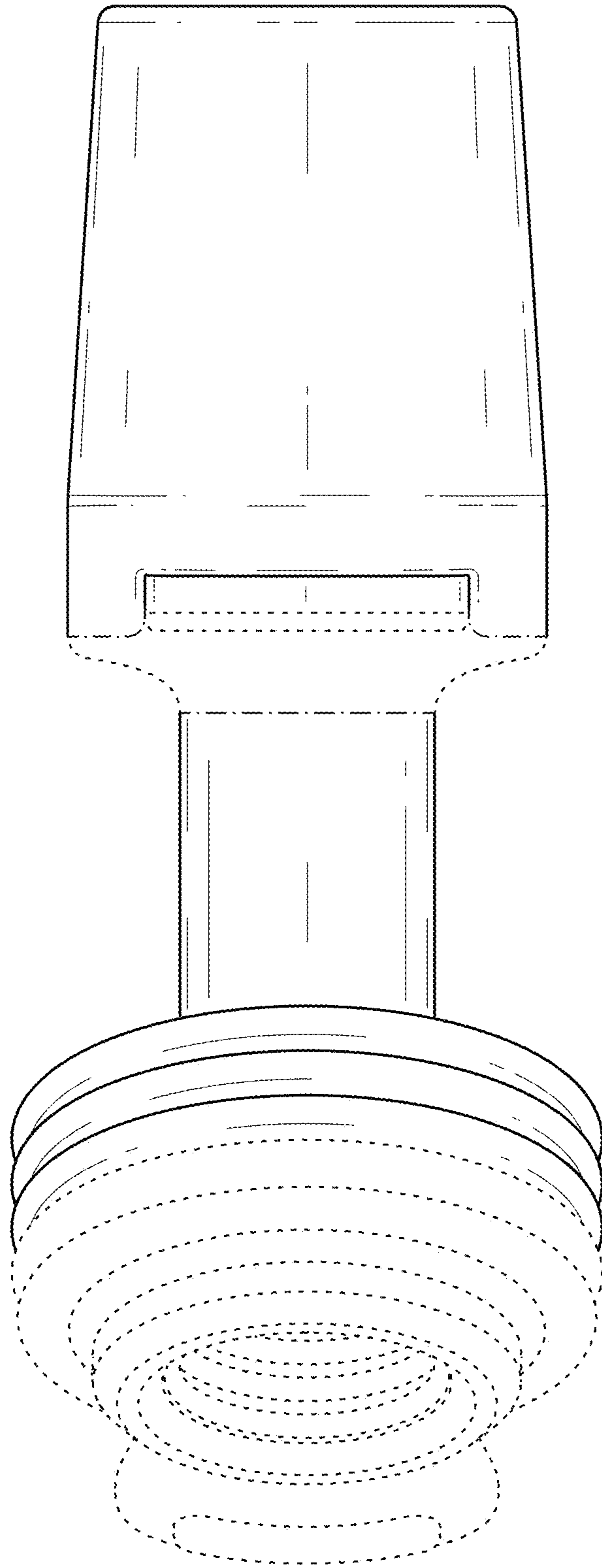


FIG. 3

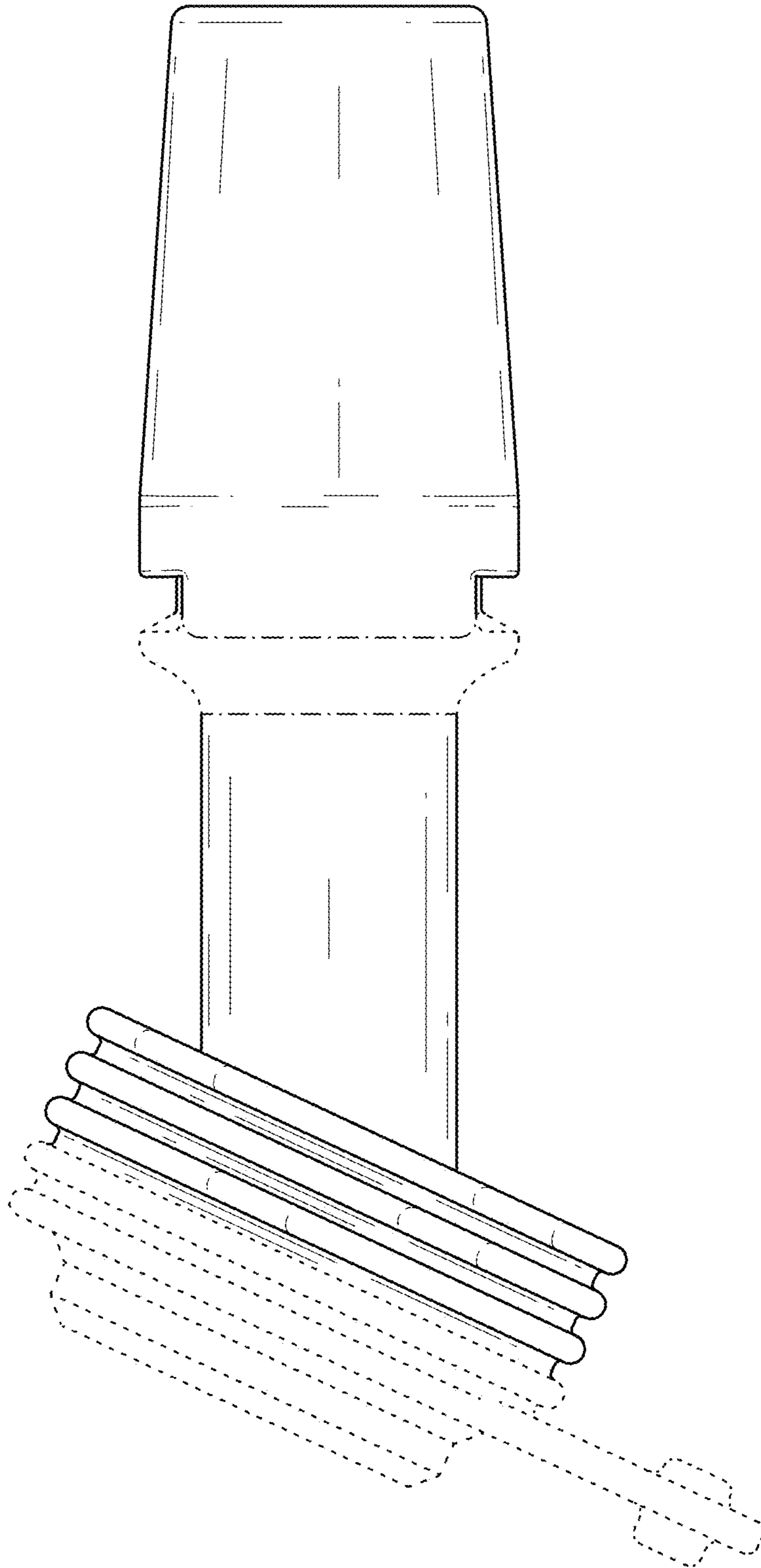


FIG. 4

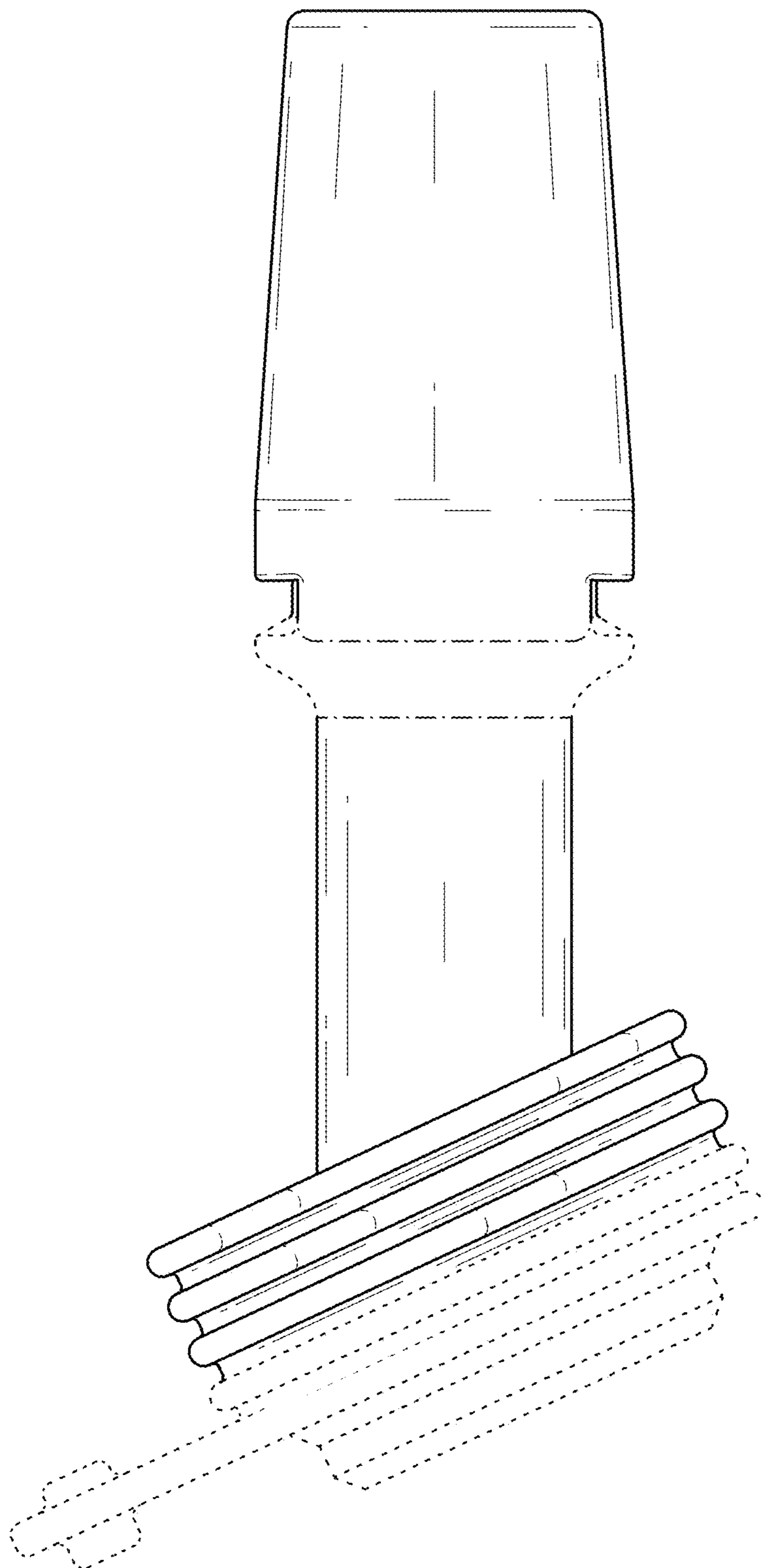


FIG. 5

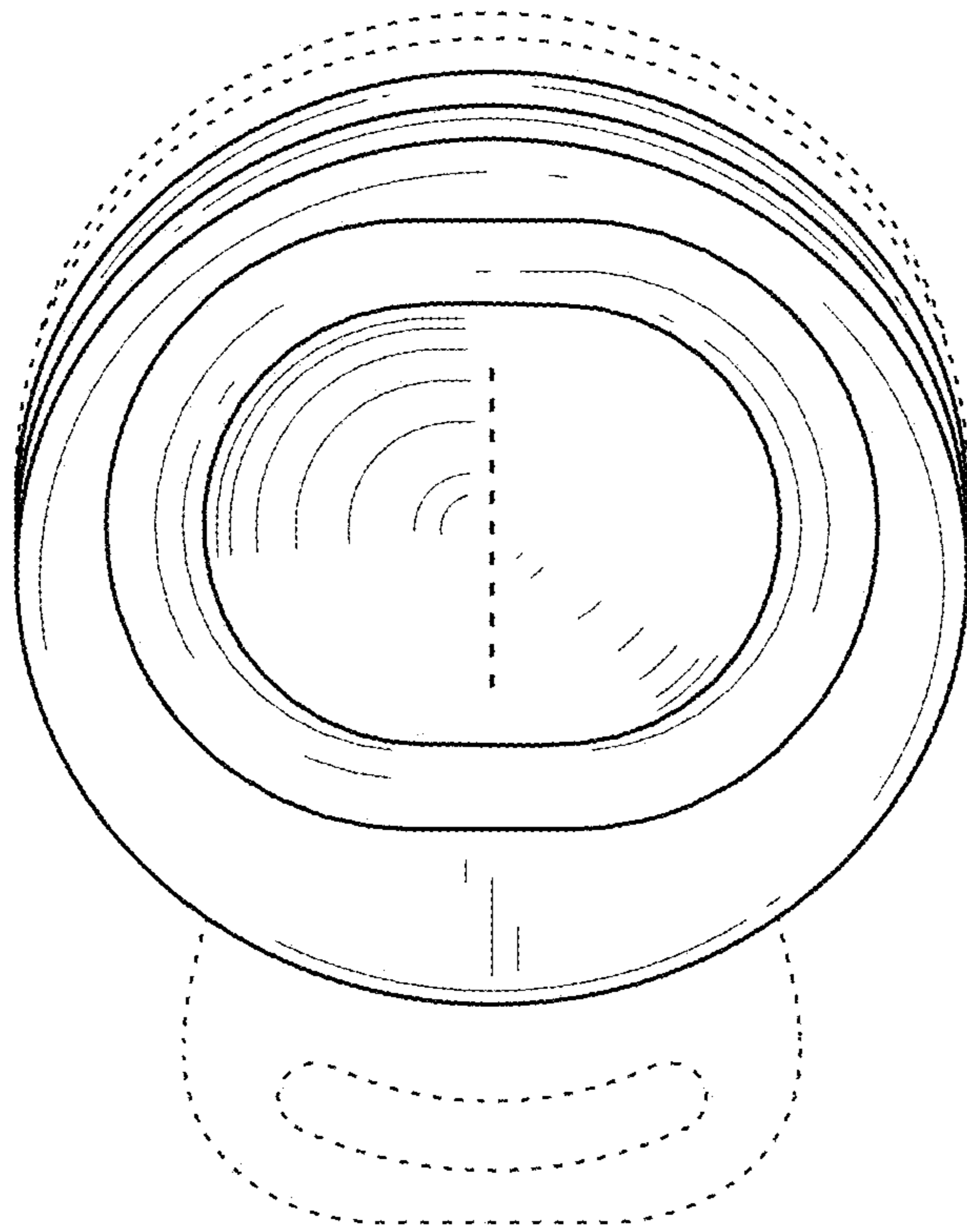


FIG. 6

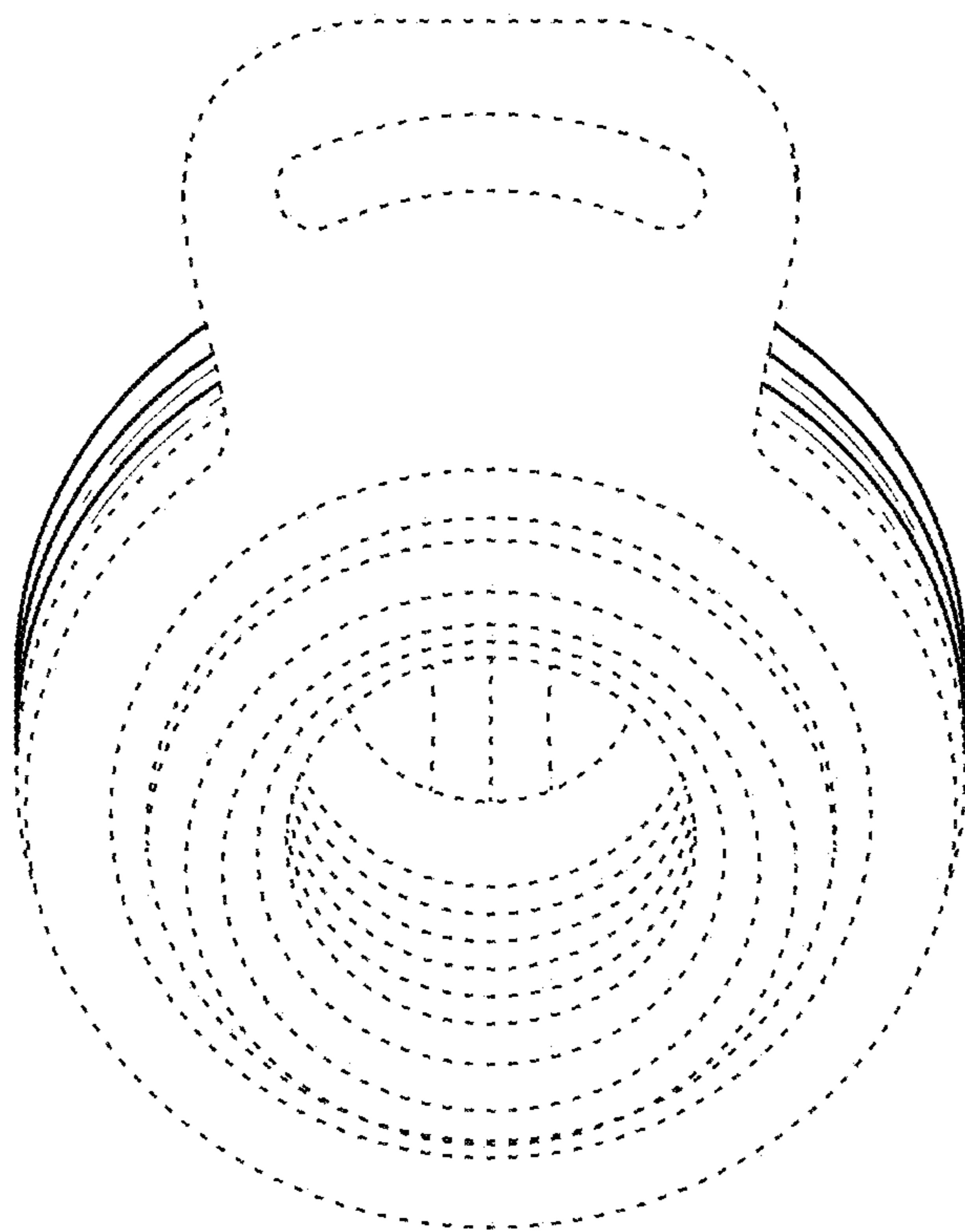


FIG. 7

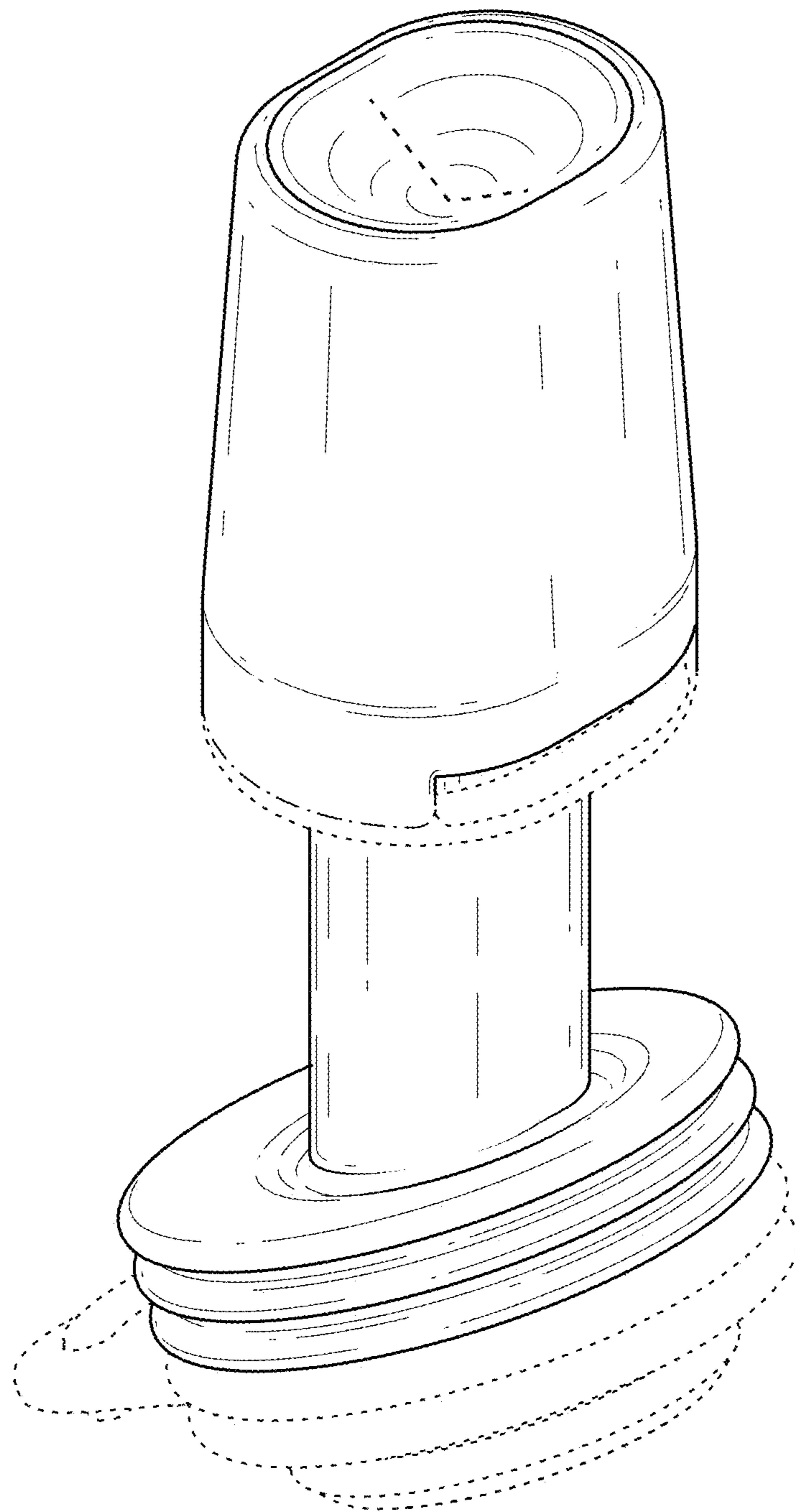


FIG. 8

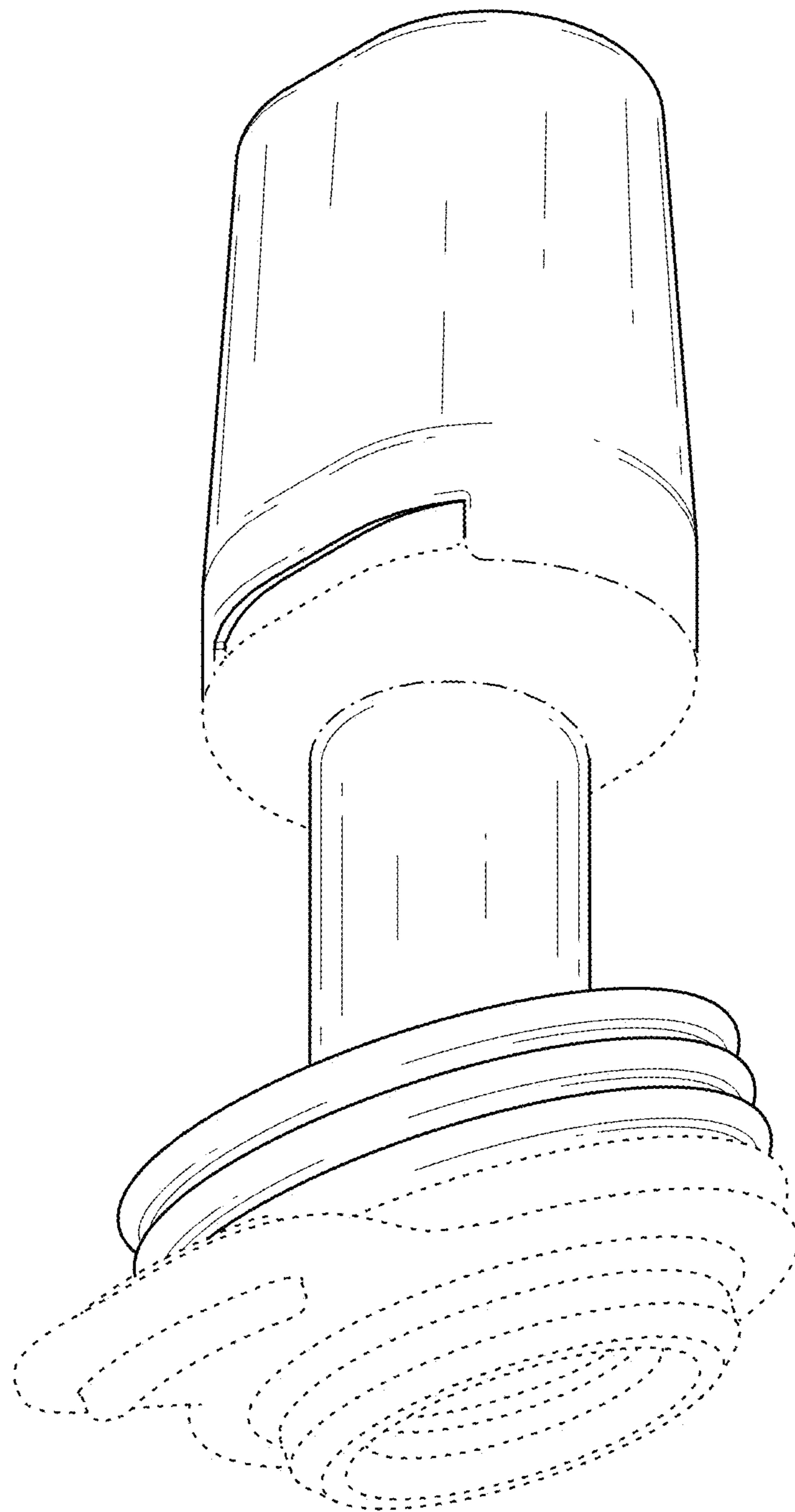


FIG. 9

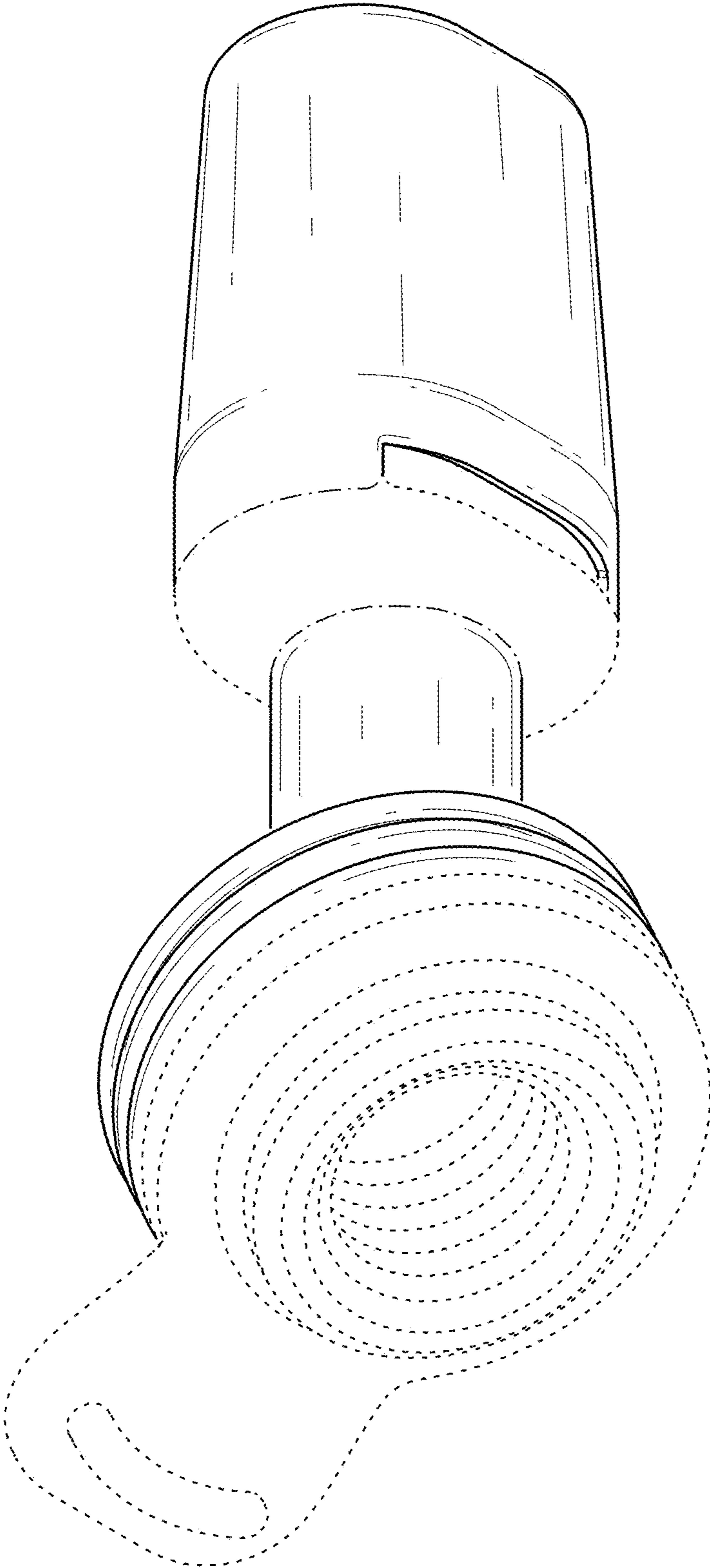


FIG. 10