

US00D938224S

(12) **United States Design Patent** (10) **Patent No.:** **US D938,224 S**  
**Rajasekaran et al.** (45) **Date of Patent:** **\*\* Dec. 14, 2021**

- (54) **COOKWARE HANDLE**
- (71) Applicant: **E. MISHAN & SONS, INC.**, New York, NY (US)
- (72) Inventors: **Mohan Rajasekaran**, Briston, CT (US); **Isaac Mishan**, New York, NY (US)
- (73) Assignee: **E. Mishan & Sons, Inc.**, New York, NY (US)
- (\*\*) Term: **15 Years**
- (21) Appl. No.: **29/717,747**
- (22) Filed: **Dec. 19, 2019**
- (51) **LOC (13) Cl.** ..... **07-02**
- (52) **U.S. Cl.**  
USPC ..... **D7/395**
- (58) **Field of Classification Search**  
USPC ..... D7/323, 354, 360, 361, 387, 393-396.2, D7/402, 509, 514, 533-536, 683, 688, D7/691; D8/300, 307; D9/431, 434-436, D9/504, 644-646, 648, 655, 656, 658; D21/525  
CPC ..... A47J 27/00; A47J 36/00; A47J 36/025; A47J 36/06; A47J 36/08; A47J 45/00; A47J 45/06; A47J 45/061; A47J 45/062; A47J 45/063; A47J 45/065; A47J 45/066; A47J 45/067; A47J 45/07; A47J 45/071; A47J 45/072; A47J 45/074; A47J 45/075; A47J 45/077; A47J 45/078; A47J 45/08  
See application file for complete search history.

- D497,771 S \* 11/2004 Thomkins ..... D7/395
  - D598,705 S \* 8/2009 Tetreault ..... D7/395
  - D693,171 S \* 11/2013 Munari ..... D7/395
  - D693,627 S \* 11/2013 Moon ..... D7/361
  - D705,003 S \* 5/2014 Rae ..... D7/395
  - D730,113 S \* 5/2015 Barberi ..... D7/395
  - D730,114 S \* 5/2015 Barberi ..... D7/395
  - D746,099 S \* 12/2015 Pal ..... A47J 45/061 D7/354
  - D849,470 S 5/2019 Hollinger
  - D862,978 S 10/2019 Hollinger
- (Continued)

**OTHER PUBLICATIONS**

Design No. 306635440, Jun. 25, 2021—China National Intellectual Property Administration (CNIPA) Publication Date—Jun. 25, 2021 Owner—TESCOM S R O, Designer—Radislav Skoda WIPO, available at <https://www3.wipo.int/designdb/en/index.jsp> (Year: 2021).\*

(Continued)

*Primary Examiner* — Mary Ann Calabrese  
*Assistant Examiner* — Natalya M Rapundalo  
(74) *Attorney, Agent, or Firm* — Notaro, Michalos & Zaccaria P.C.

(57) **CLAIM**

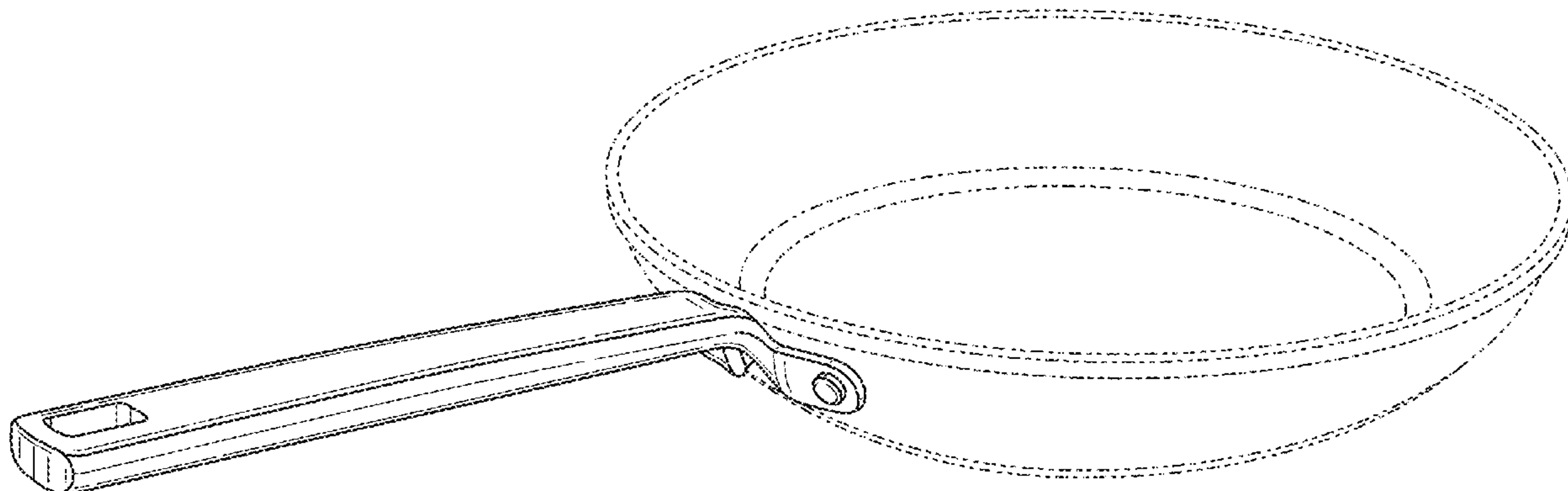
The ornamental design for a cookware handle, as shown and described.

**DESCRIPTION**

FIG. 1 is a top, front, left perspective view of a cookware handle showing our new design therefor; FIG. 2 is a right side elevational view thereof; FIG. 3 is a left side elevational view thereof; FIG. 4 is a front elevational view thereof; FIG. 5 is a top plan view thereof; and, FIG. 6 is a bottom plan view thereof. Throughout the drawing, broken lines show environment and form no part of the claimed design.

**1 Claim, 6 Drawing Sheets**

- (56) **References Cited**  
U.S. PATENT DOCUMENTS
- 3,798,706 A 3/1974 Wolfson et al.
- D326,980 S 6/1992 Lin
- D366,985 S 2/1996 Tu
- D487,554 S 3/2004 Smekh



(56)

**References Cited**

U.S. PATENT DOCUMENTS

D920,039 S \* 5/2021 Bazzicalupo ..... D7/395  
2015/0114973 A1\* 4/2015 Mashburn ..... A47J 45/061  
220/573.1

OTHER PUBLICATIONS

Goop x GreenPan 8' & 10" Frypan Set, Goop, [online], [site visited Sep. 30, 2021], Available from internet URL: [https://goop.com/goop-x-greenpan-8-10-frypan-set/p/?variant\\_id=59815](https://goop.com/goop-x-greenpan-8-10-frypan-set/p/?variant_id=59815) (Year: 2021).\*

\* cited by examiner

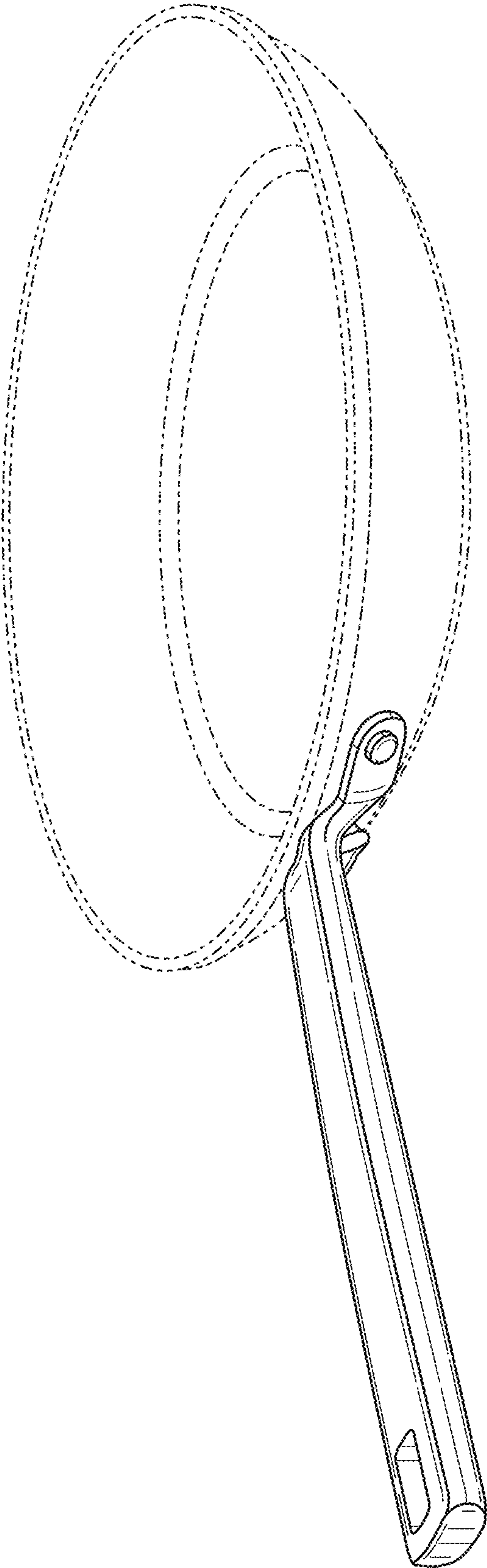


FIG. 1

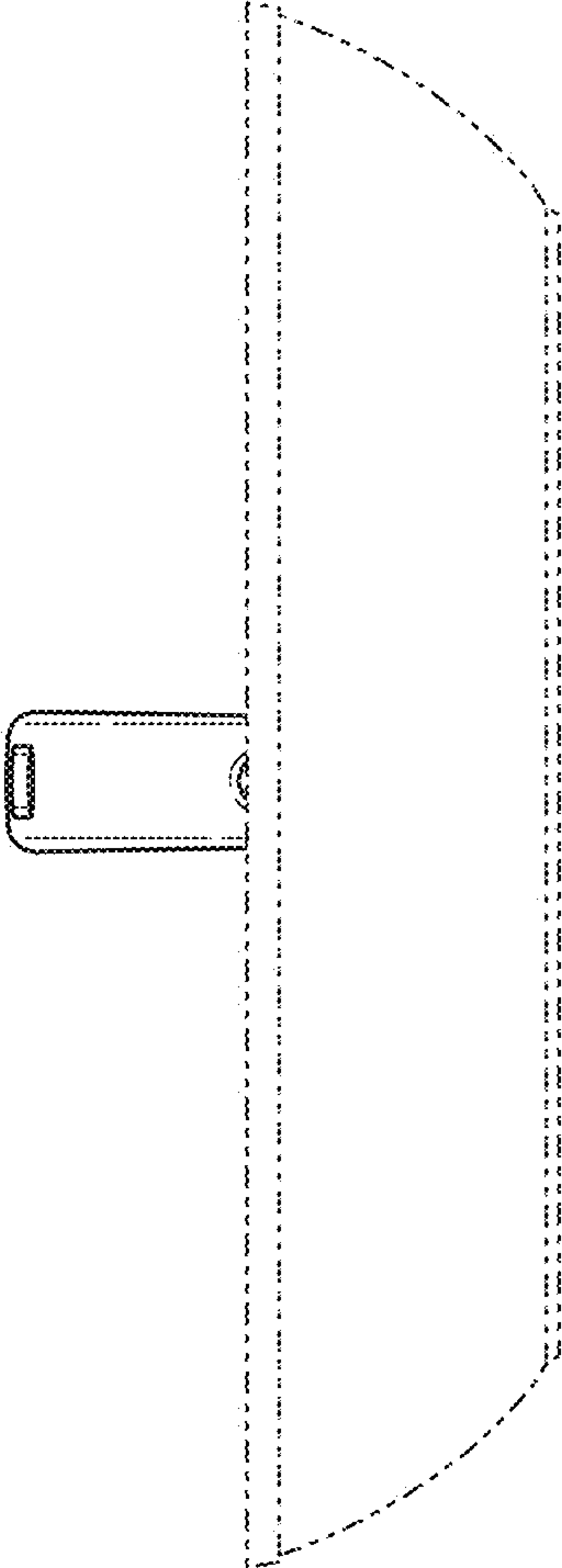


FIG. 2

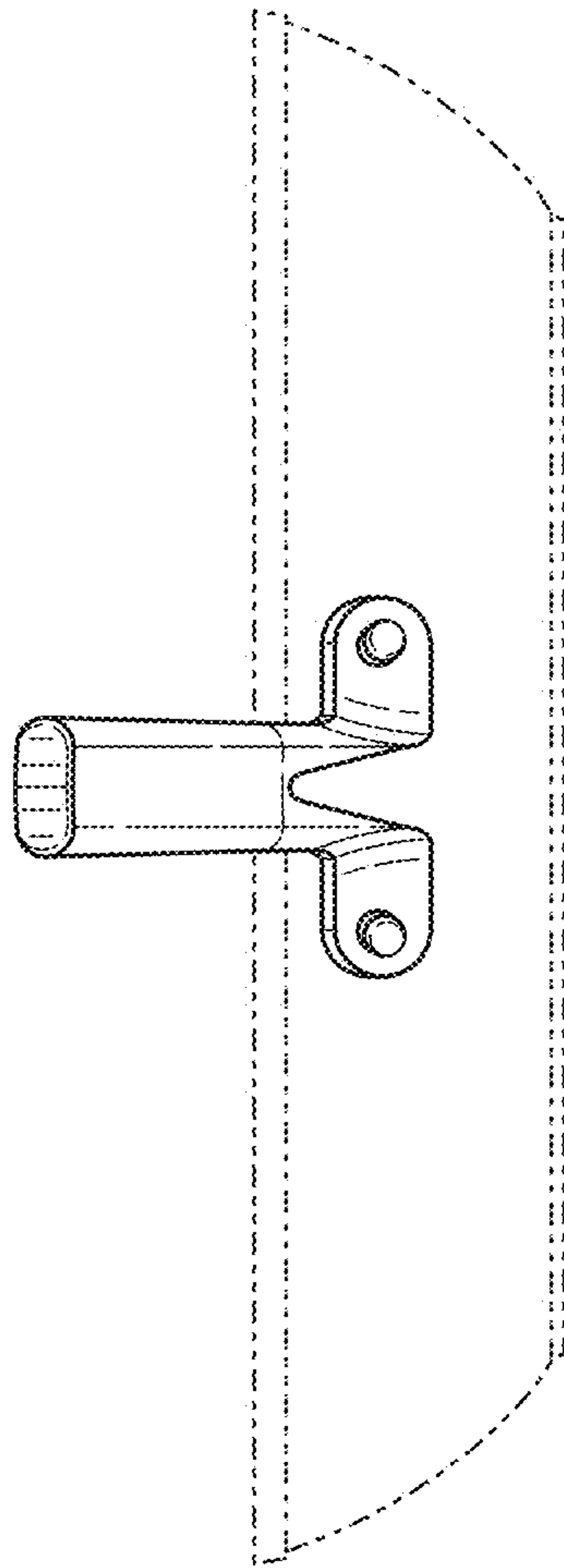


FIG. 3

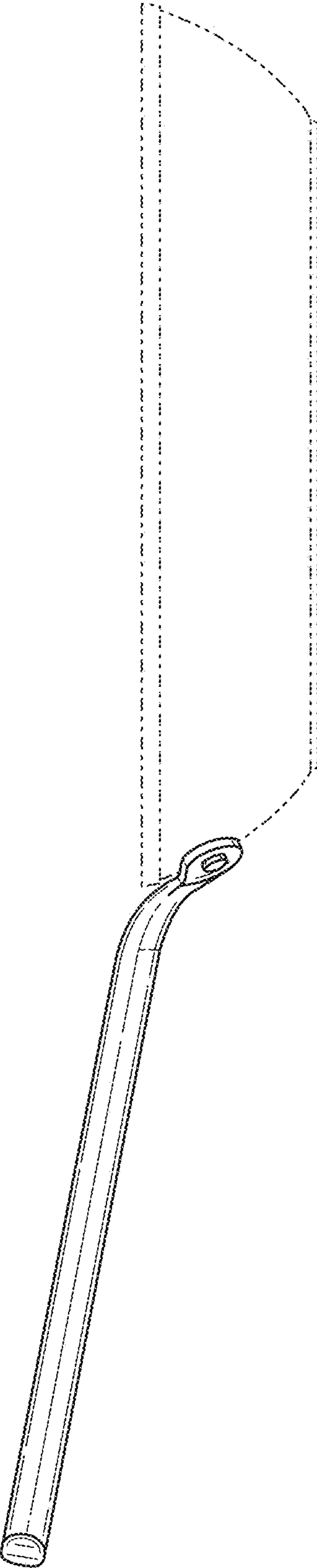


FIG. 4

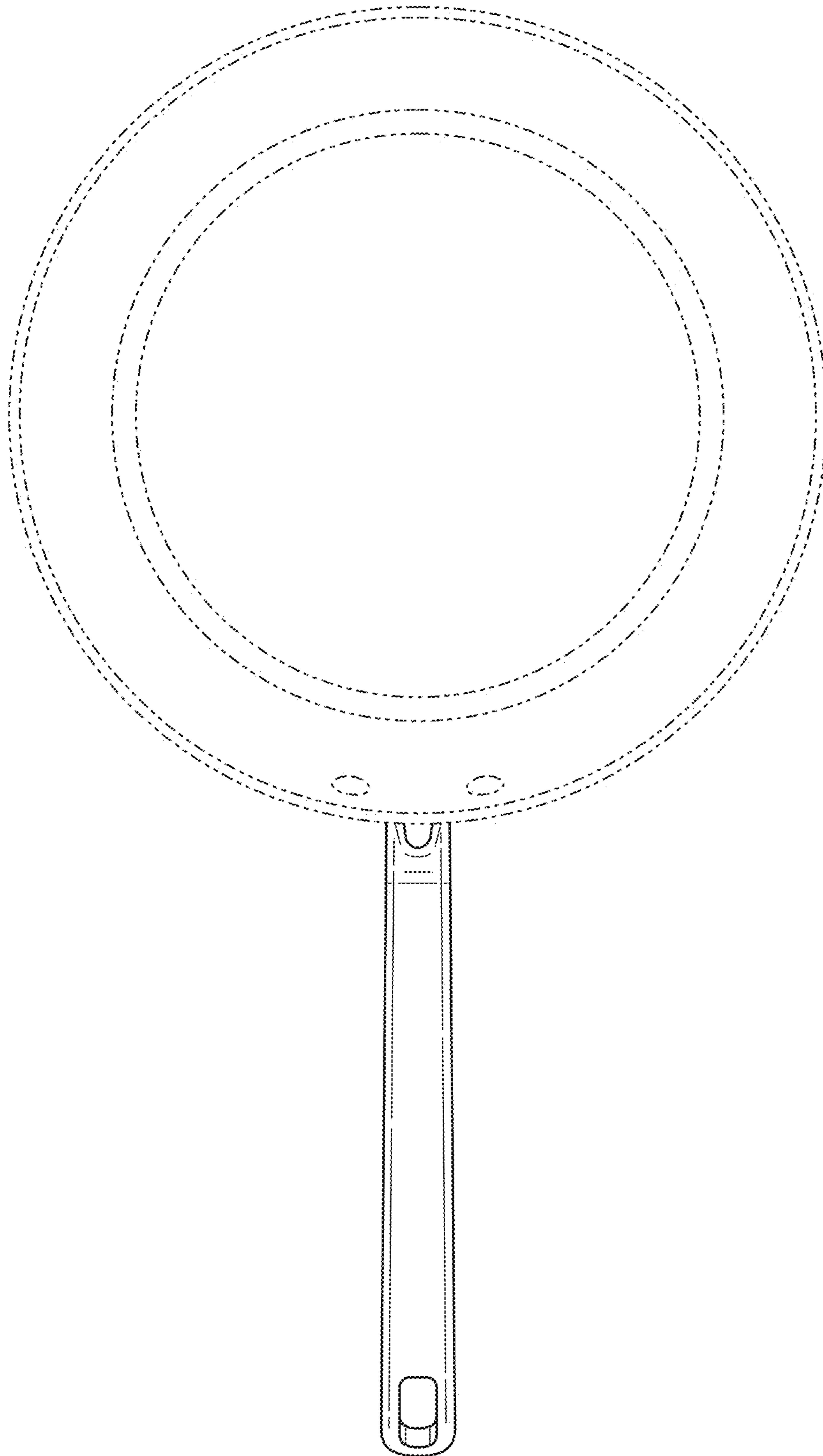


FIG. 5



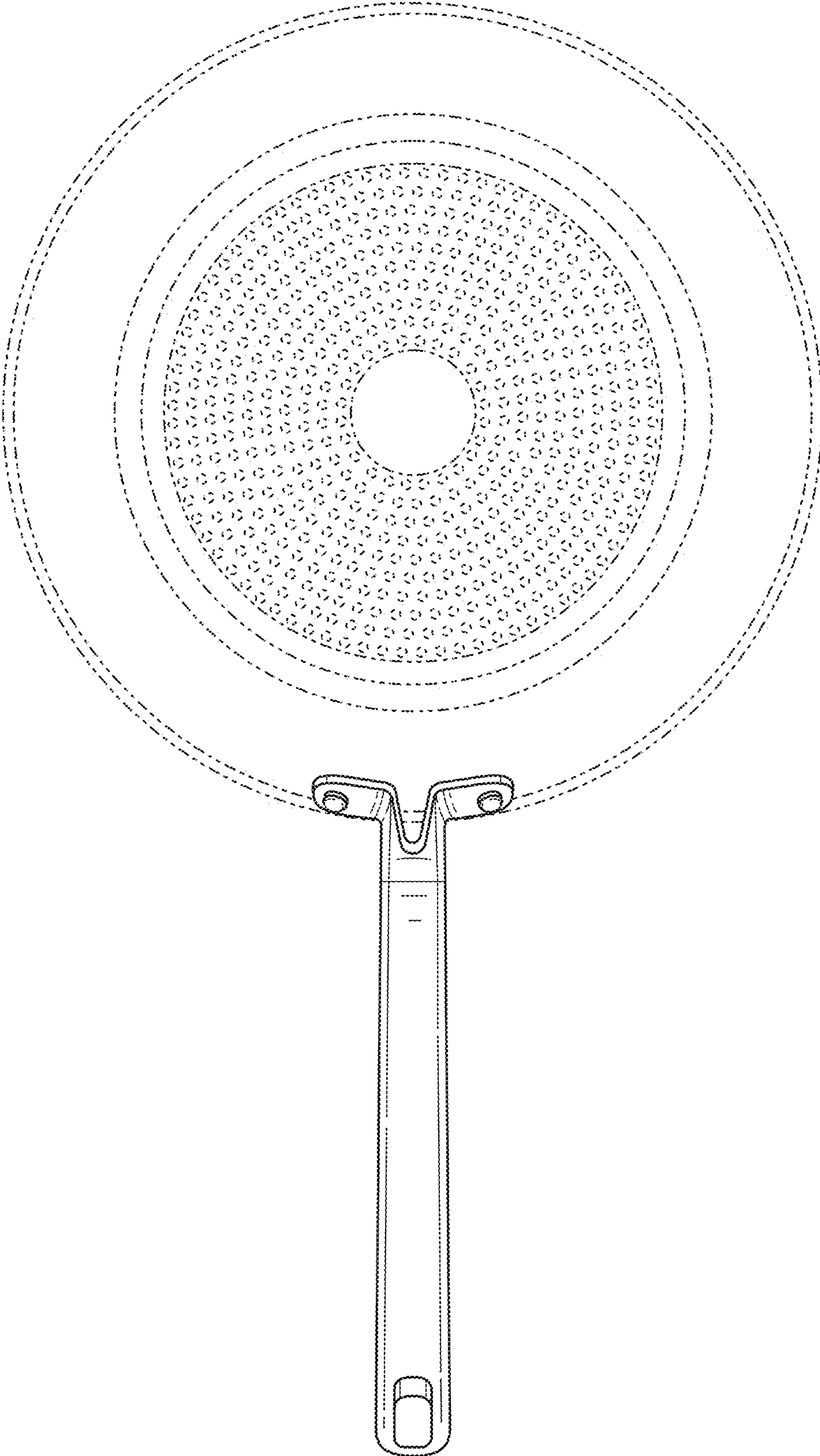


FIG. 6