



US00D938223S

(12) **United States Design Patent** (10) **Patent No.:** **US D938,223 S**
Chen (45) **Date of Patent:** **** Dec. 14, 2021**

(54) **BOTTLE LID**
(71) Applicant: **Xiamen Bikuer Technology Co., Ltd.,**
Xiamen (CN)
(72) Inventor: **Yuanhuang Chen,** Fujian (CN)
(73) Assignee: **Xiamen Bikuer Technology Co., Ltd.,**
Xiamen (CN)

(**) Term: **15 Years**
(21) Appl. No.: **29/771,835**
(22) Filed: **Feb. 25, 2021**

(30) **Foreign Application Priority Data**
Feb. 7, 2021 (EP) 008427819-0001
(51) **LOC (13) Cl.** **07-99**
(52) **U.S. Cl.**
USPC **D7/392.1; D9/443**
(58) **Field of Classification Search**
USPC D9/434, 435, 455, 456, 457, 499, 501,
D9/517, 739, 443, 447, 449, 450;
D7/391, 392, 392.1, 396.2, 510, 511;
D3/202
CPC A47F 1/00; A47F 3/00; A47F 3/14; A47F
3/142; A47F 5/10; A47F 5/11; A47F
5/112; A47F 5/114; A47F 7/14; A63F
1/10; A63F 9/10; A63F 9/1044; B42D
5/00; B42D 5/04; B42D 5/043; B65D
5/00; B65D 5/52; B65D 5/5206; G10G
5/00
See application file for complete search history.

(56) **References Cited**
U.S. PATENT DOCUMENTS
D682,034 S * 5/2013 El-Saden D7/510
D756,702 S * 5/2016 Joseph D7/392.1

D793,154 S * 8/2017 Sorensen D7/392.1
D801,173 S * 10/2017 Lown D9/443
D802,993 S * 11/2017 Joseph D7/392.1
D814,855 S * 4/2018 Hammer D7/392.1
D816,411 S * 5/2018 Stover D7/510
D818,774 S * 5/2018 Stover D7/510
D858,182 S * 9/2019 Keung D7/392.1
D870,508 S * 12/2019 Palkon D7/392.1
D896,573 S * 9/2020 Wu
D897,760 S * 10/2020 Feng D9/447
D903,418 S * 12/2020 Hu D7/510
D908,423 S * 1/2021 Xia et al.
D911,101 S * 2/2021 Fang D7/392.1
D920,737 S * 6/2021 Armistead D7/392
D923,396 S * 6/2021 Lin D7/392.1
D924,624 S * 7/2021 Huang D7/392.1
D925,275 S * 7/2021 Liu D7/392.1
D929,802 S * 9/2021 Han D7/392.1
2012/0187075 A1 * 7/2012 El-Saden B65D 51/242
215/389

(Continued)

Primary Examiner — Wendy L Arminio
(74) *Attorney, Agent, or Firm* — ScienBiziP, P.C.

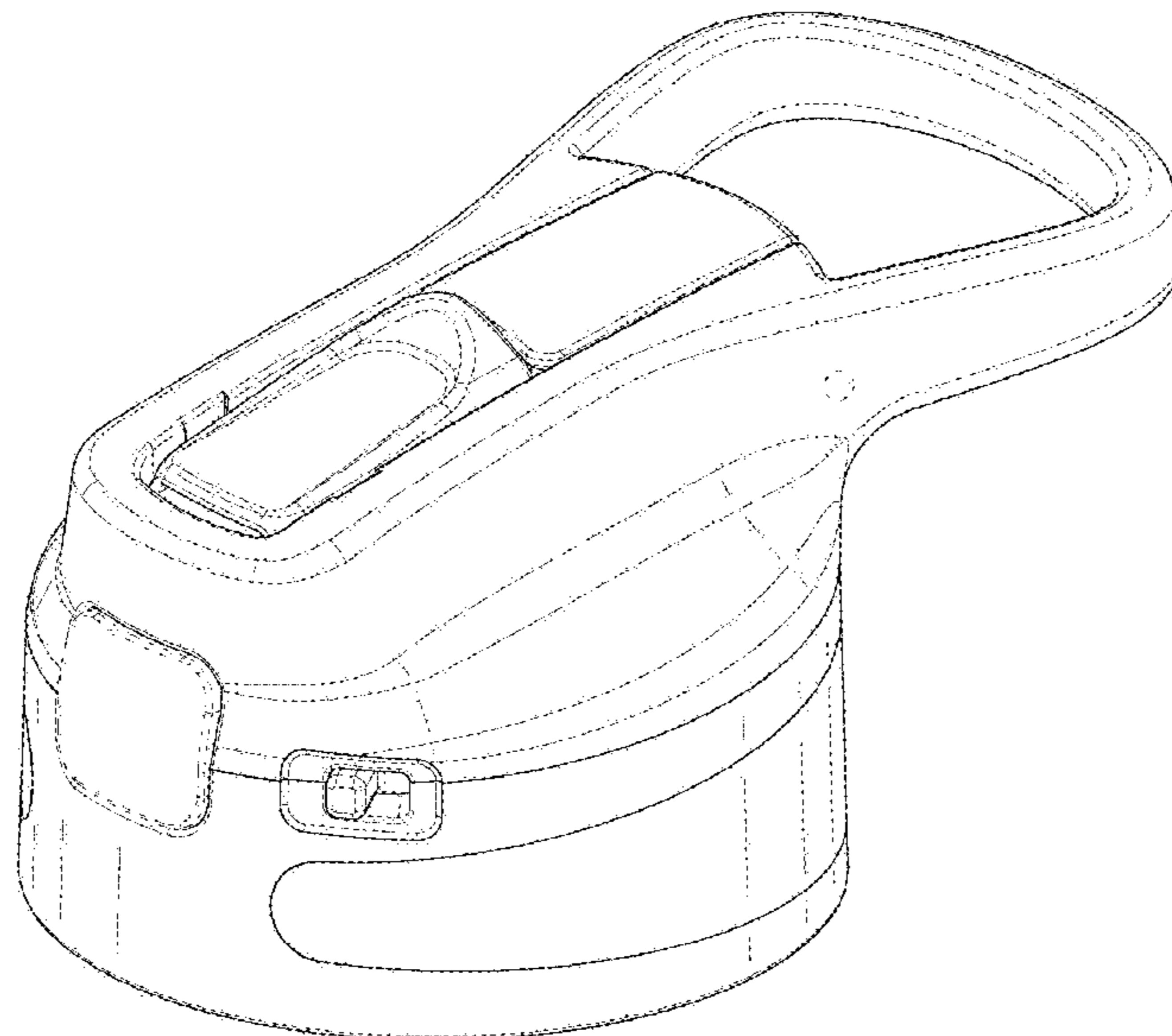
(57) **CLAIM**

The ornamental design for a bottle lid, as shown and described.

DESCRIPTION

FIG. 1 is a front, right, and top perspective view of a bottle lid, showing my design.
FIG. 2 is a rear, left, and bottom perspective view thereof.
FIG. 3 is a front elevation view thereof.
FIG. 4 is a rear elevation view thereof.
FIG. 5 is a left side elevation view thereof.
FIG. 6 is a right side elevation view thereof.
FIG. 7 is a top plan view thereof; and,
FIG. 8 is a bottom plan view thereof.
The broken lines shown in the drawings are included for the purpose of illustrating portions of the bottle lid that form no part of the claimed design.

1 Claim, 8 Drawing Sheets



(56)

References Cited

U.S. PATENT DOCUMENTS

2015/0173539 A1* 6/2015 Mason B65D 47/063
220/707

* cited by examiner

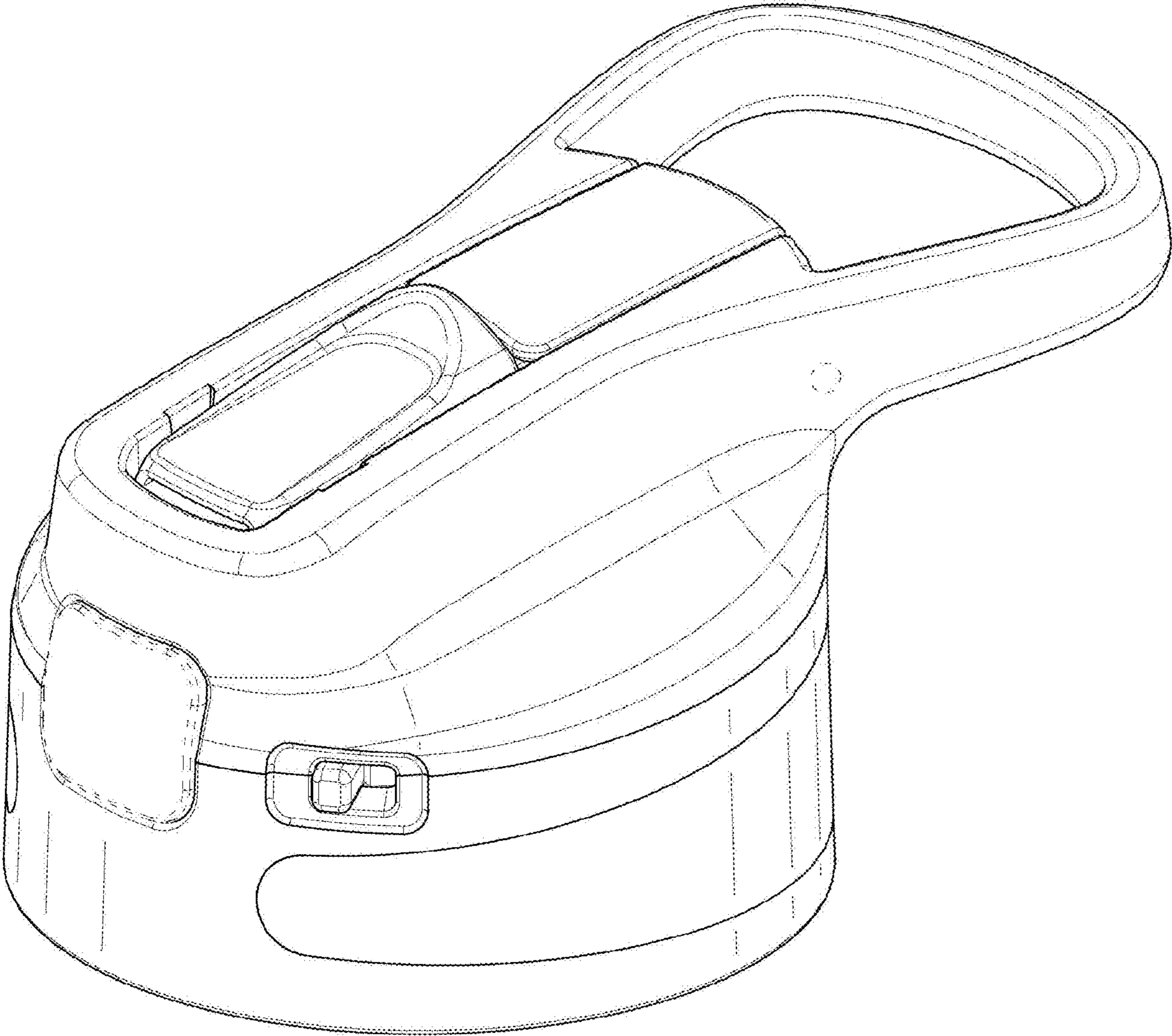


FIG. 1

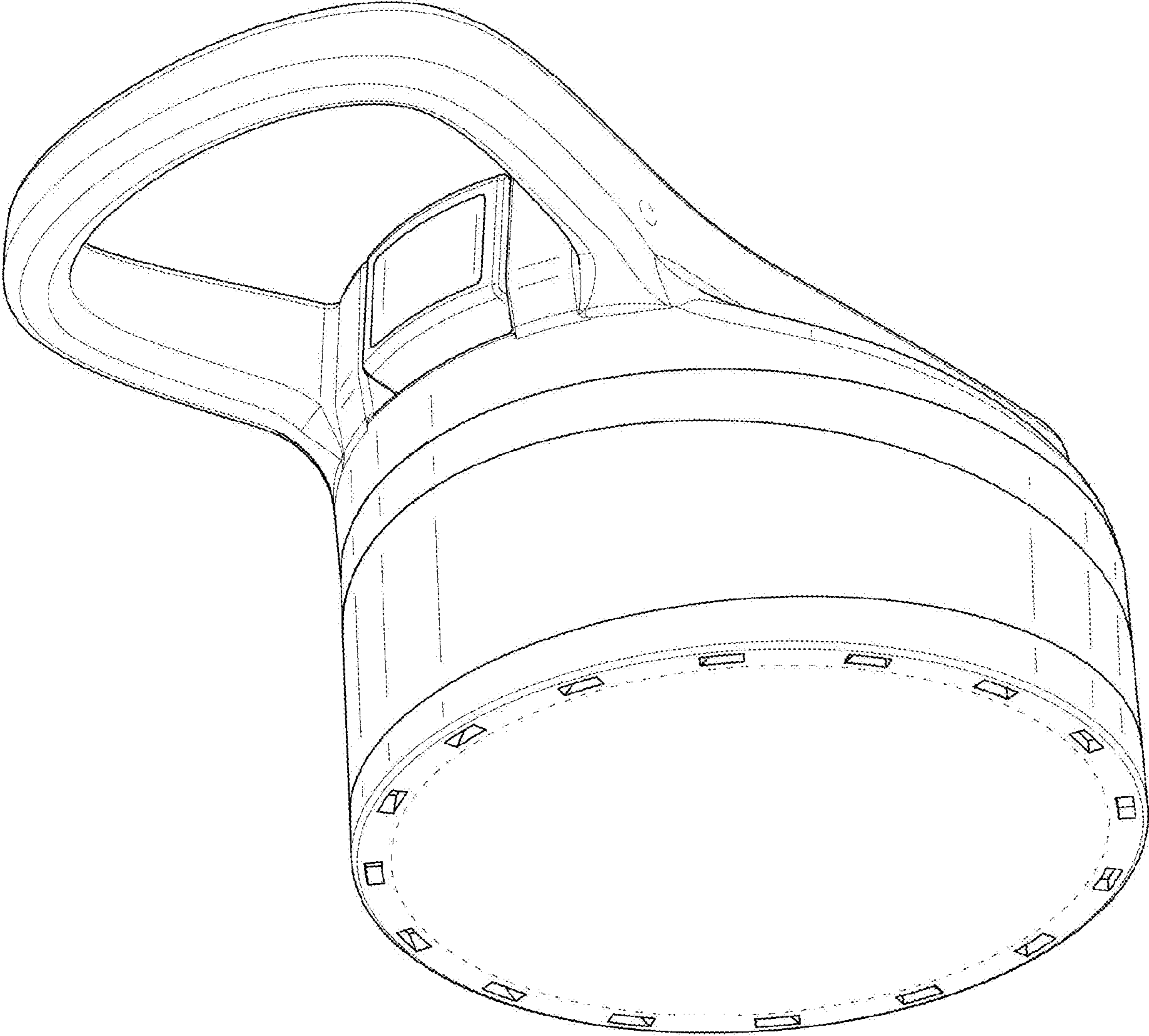


FIG.2

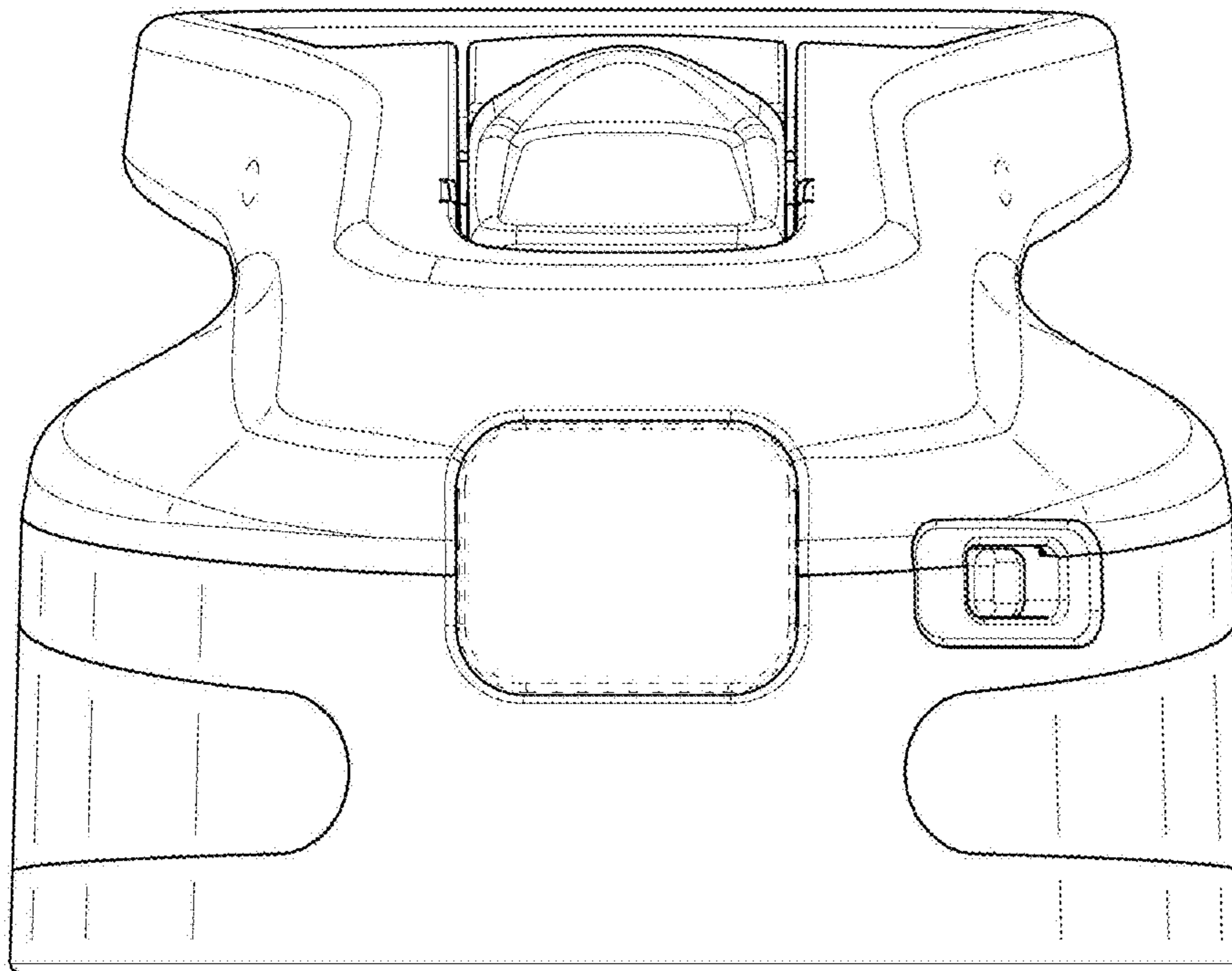


FIG.3

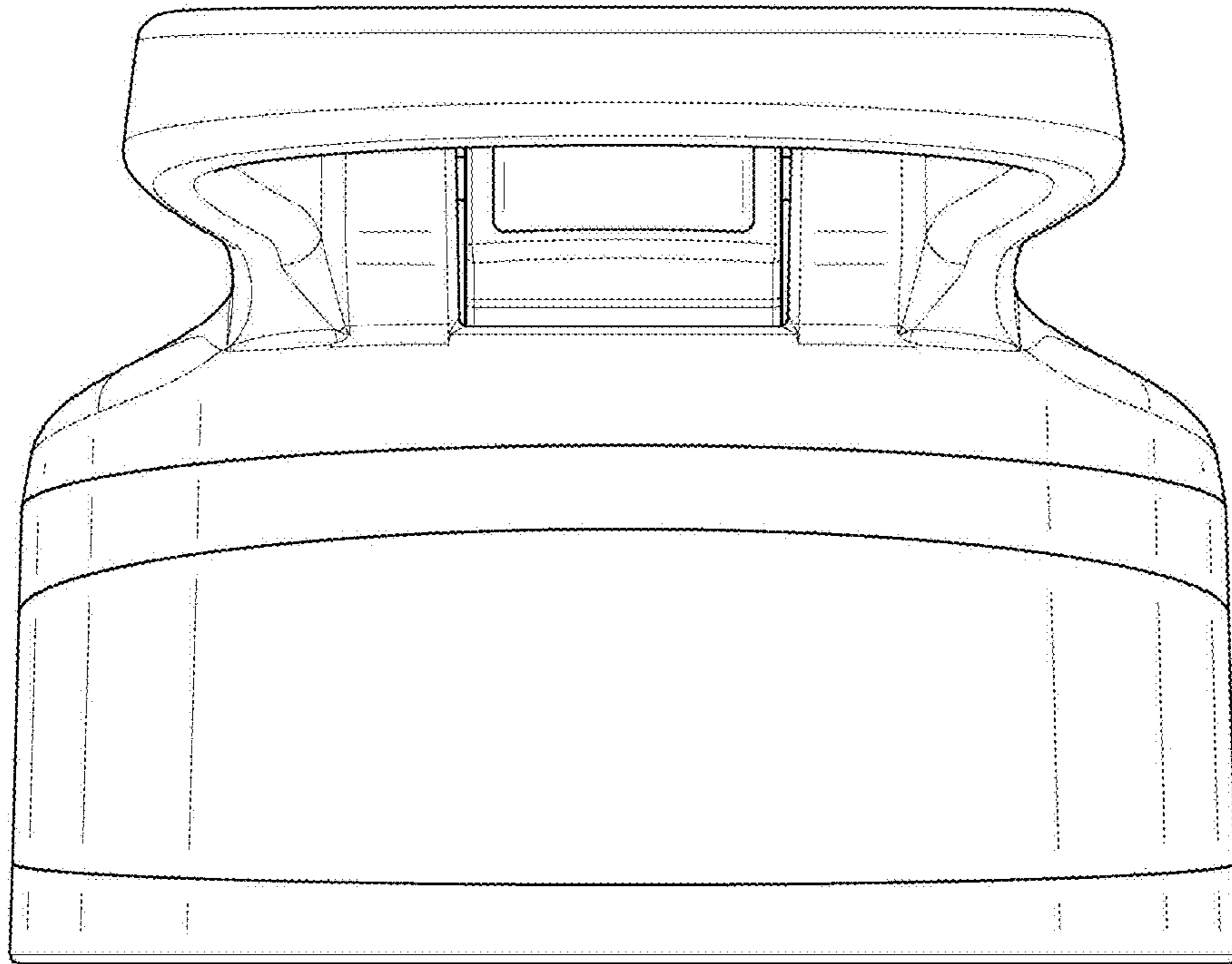


FIG.4

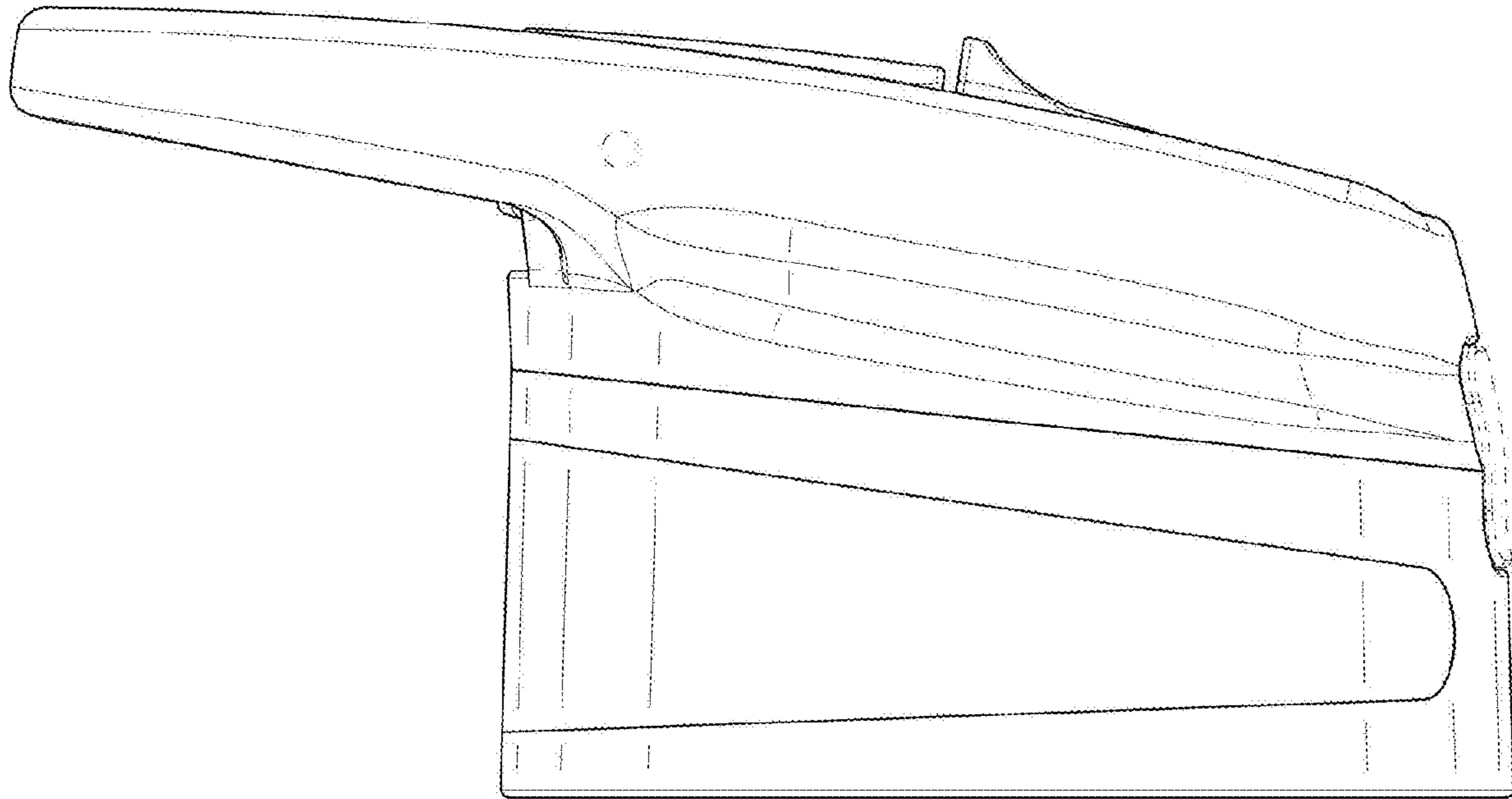


FIG.5

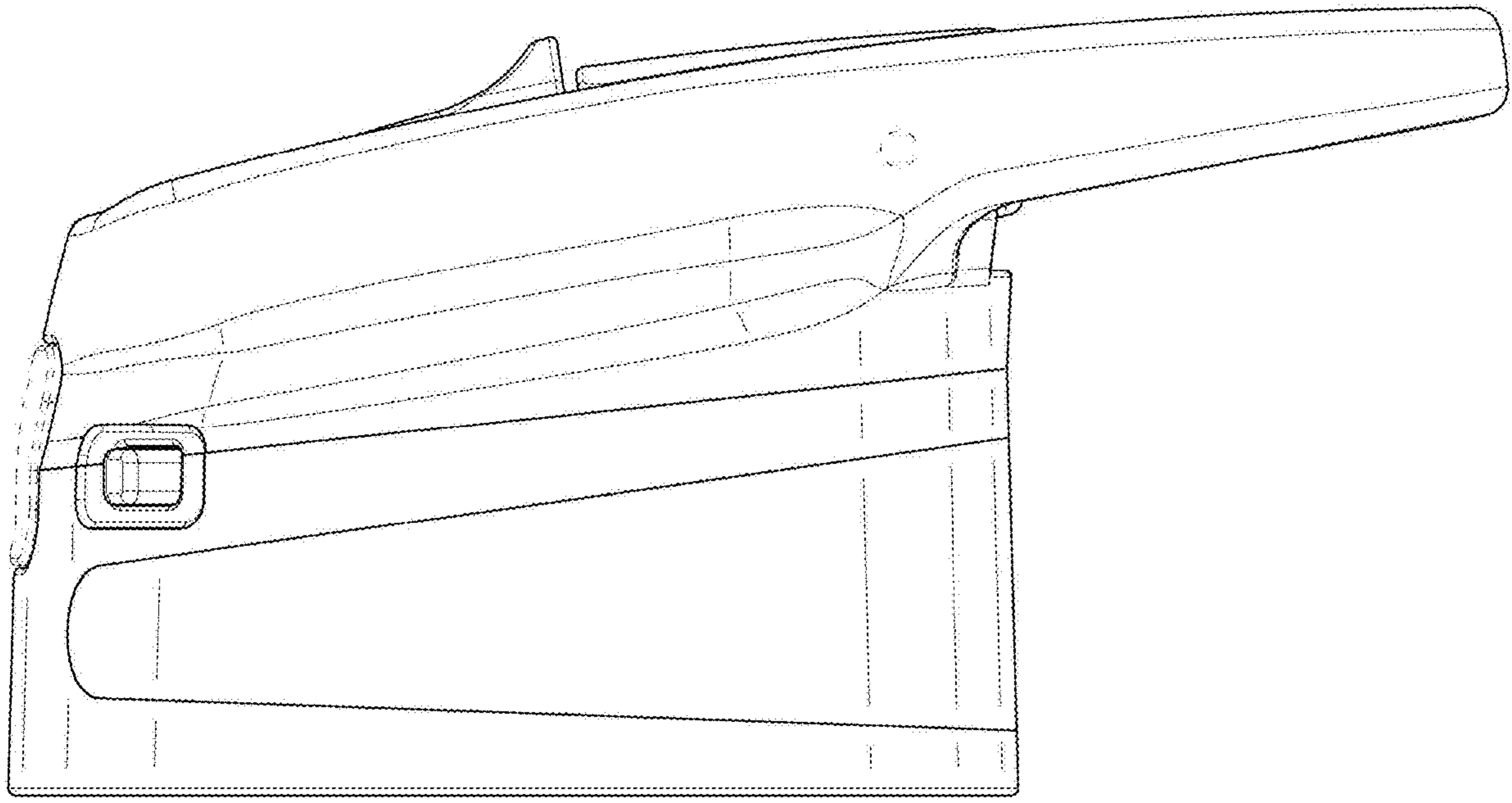


FIG.6

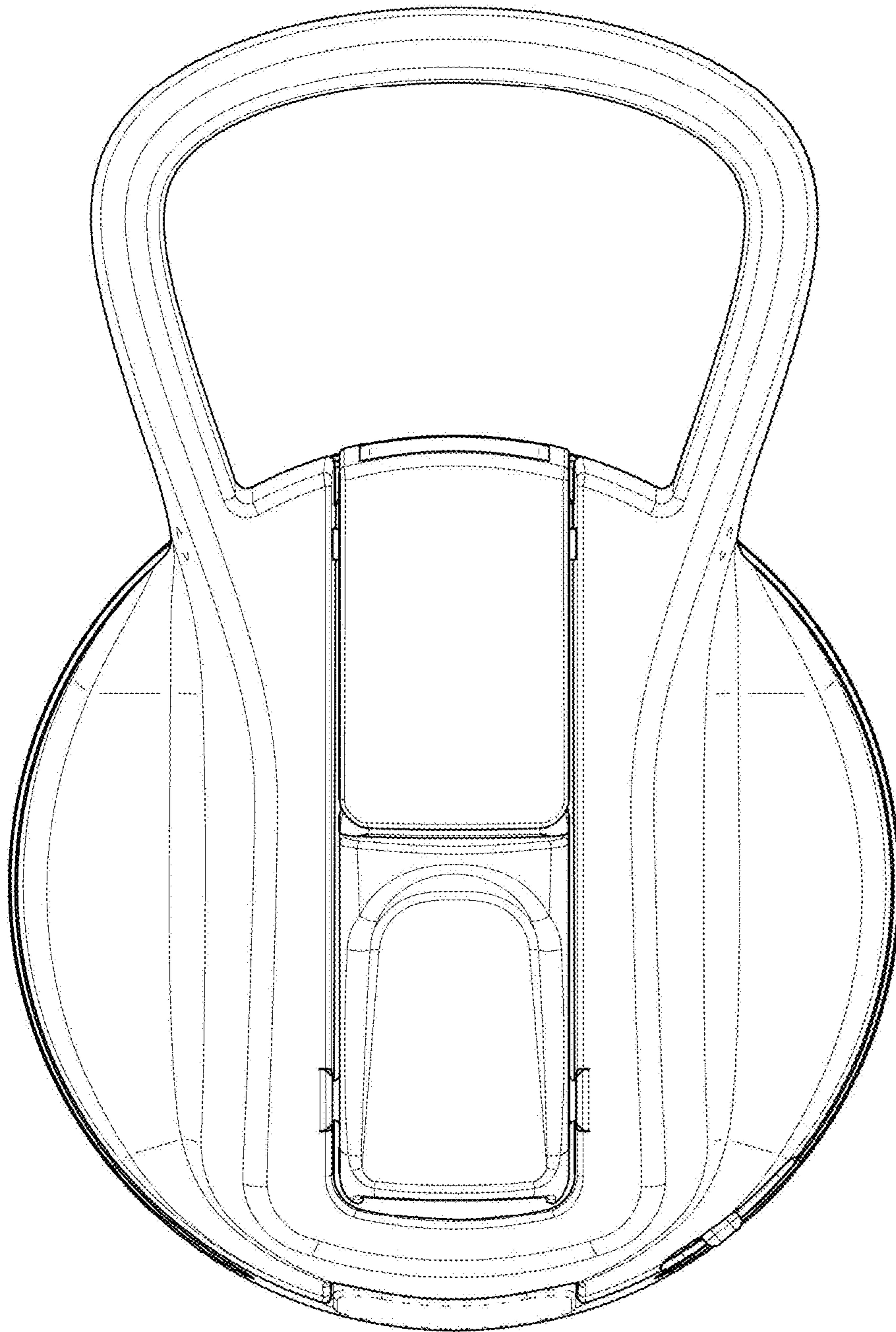


FIG. 7

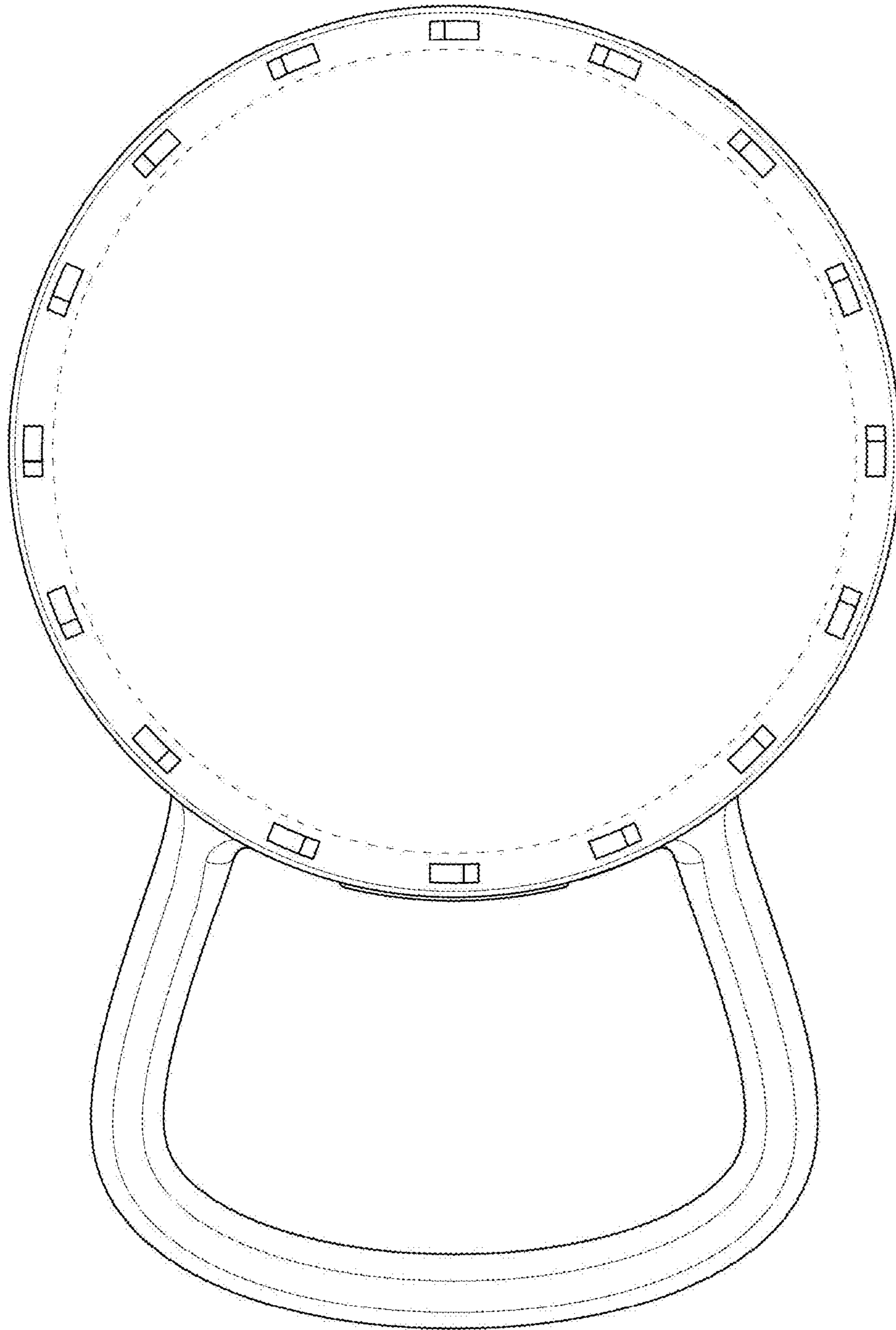


FIG.8