



US00D938222S

(12) **United States Design Patent** (10) **Patent No.:** **US D938,222 S**  
**McConnell et al.** (45) **Date of Patent:** **\*\* Dec. 14, 2021**

(54) **ELECTRIC MIXER**

(71) Applicant: **WHIRLPOOL CORPORATION**,  
Benton Harbor, MI (US)

(72) Inventors: **John W. McConnell**, St. Joseph, MI  
(US); **Yifan Wang**, St. Joseph, MI  
(US); **Wenkai Wu**, Aurora, IL (US)

(73) Assignee: **Whirlpool Corporation**, Benton  
Harbor, MI (US)

(\*\*) Term: **15 Years**

(21) Appl. No.: **29/795,251**

(22) Filed: **Jun. 17, 2021**

**Related U.S. Application Data**

(63) Continuation of application No. 29/764,410, filed on  
Dec. 30, 2020, now Pat. No. Des. 925,970, which is  
a continuation of application No. 29/741,998, filed on  
Jul. 17, 2020, now Pat. No. Des. 911,096, which is a  
(Continued)

(51) **LOC (13) Cl.** ..... **31-00**

(52) **U.S. Cl.**  
USPC ..... **D7/379**; D7/376

(58) **Field of Classification Search**  
USPC ..... D7/372, 376-386, 394, 412-413, 602,  
D7/629, 665-666, 669, 679, 693-694  
CPC .... A21C 1/02; A21C 1/04; A23N 1/00; A23N  
1/02; A47J 43/04; A47J 43/25; A47J  
43/27; A47J 43/042; A47J 43/044; A47J  
43/046; A47J 43/06; A47J 43/075; A47J  
43/0722; A47J 43/0727; A47J 43/0705;  
A47J 43/287; B01F 3/00; B01F 3/0807;  
B01F 3/0853; B01F 13/0059; B01F  
13/0064; B02C 1/08; B02C 2/04; B02C  
4/42; B02C 4/142; B02C 4/143; B02C  
4/423; B02C 13/1835; B28C 5/10; B28C  
5/12; B28C 5/14; B28C 5/16; H02K  
7/145

See application file for complete search history.

(56) **References Cited**

U.S. PATENT DOCUMENTS

2,552,972 A 5/1951 Jepson  
D170,884 S 11/1953 Morgan  
D173,624 S 12/1954 Madl et al.  
(Continued)

FOREIGN PATENT DOCUMENTS

EP 2488288 A1 8/2012  
WO 2015022169 A1 2/2015

OTHER PUBLICATIONS

BAR Hand Mixer Electric, Date First Available on Amazon.com  
May 14, 2020. <https://www.amazon.com/dp/B088LP3FBL/ref> (Year:  
2020).\*

(Continued)

*Primary Examiner* — Ricky Pham

(74) *Attorney, Agent, or Firm* — Price Heneveld LLP

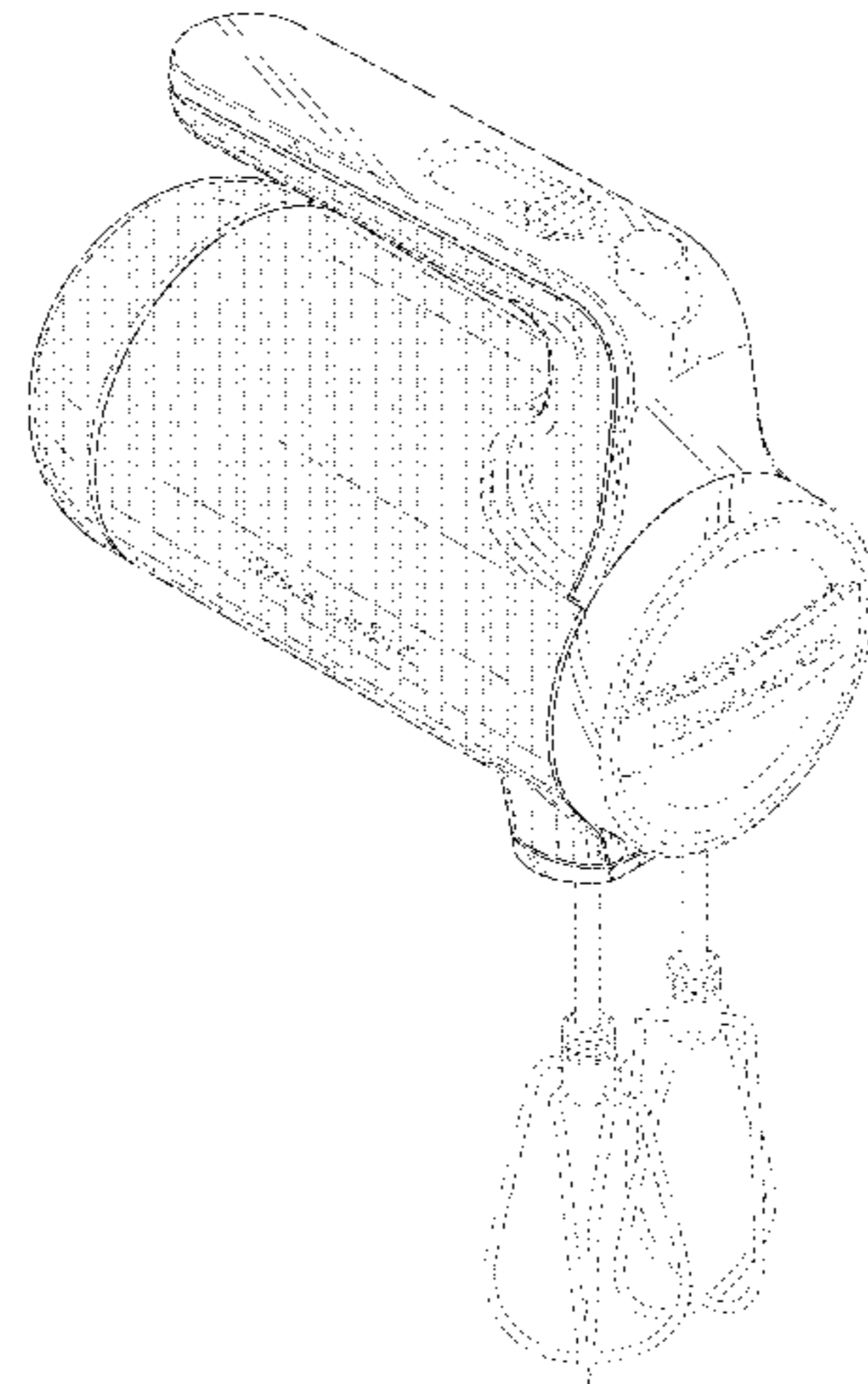
(57) **CLAIM**

The ornamental design for an electric mixer, as shown and  
described.

**DESCRIPTION**

FIG. 1 is a perspective view of an electric mixer according  
to the design;  
FIG. 2 is a front elevation view thereof;  
FIG. 3 is a back elevation view thereof;  
FIG. 4 is a right side elevation view thereof;  
FIG. 5 is a left side elevation view thereof;  
FIG. 6 is a top plan view thereof; and,  
FIG. 7 is a bottom plan view thereof.  
The portions of the article shown in broken line form no part  
of the claimed design.  
Stipple-filled areas represent areas with a matte surface  
finish.

(Continued)



Diagonal shading is used to represent areas with reflective surface finish.

**1 Claim, 7 Drawing Sheets**

**Related U.S. Application Data**

continuation of application No. 29/682,091, filed on Mar. 1, 2019, now Pat. No. Des. 892,539.

(56) **References Cited**

U.S. PATENT DOCUMENTS

D178,266 S	7/1956	Swann	
D178,543 S	8/1956	Lahr	
3,187,366 A *	6/1965	Fant .....	A47J 43/287 15/246
D204,408 S	4/1966	Fischer	
3,280,351 A *	10/1966	Wolter .....	H02K 7/145 310/68 R
D210,682 S	4/1968	De Fano et al.	
D255,760 S	7/1980	Ernest et al.	
4,277,181 A *	7/1981	Stahly .....	A21C 1/02 366/200
4,568,193 A	2/1986	Contri et al.	
D329,165 S	9/1992	Doggett	
D329,166 S	9/1992	Doggett	
D336,405 S	6/1993	Maass	
D337,667 S	7/1993	Lovett	
D362,783 S	10/1995	Cruz	
D367,400 S	2/1996	Viemeister et al.	
D387,244 S	12/1997	Ivy et al.	
D392,505 S	3/1998	Tanaka et al.	
D395,572 S *	6/1998	Carroll .....	D7/379
D396,991 S	8/1998	Lallemand	
D400,049 S	10/1998	Wanat et al.	
D416,168 S	11/1999	Huang	
5,979,850 A	11/1999	Hippen et al.	
D418,010 S	12/1999	Chan	
D419,365 S	1/2000	Endres	

D419,366 S	1/2000	Tse	
D433,593 S	11/2000	Mattijssen	
6,234,663 B1	5/2001	Lecerf et al.	
D471,758 S	3/2003	Wilson	
D475,264 S	6/2003	Kondo et al.	
6,572,254 B1	6/2003	Marriere et al.	
6,585,403 B2	7/2003	Krall et al.	
D478,467 S	8/2003	Holderfield et al.	
6,637,925 B1	10/2003	Beaudet et al.	
6,726,353 B1	4/2004	Beaudet et al.	
D504,592 S	5/2005	Wanat	
D533,021 S *	12/2006	Koszalinski .....	D7/379
D539,603 S	4/2007	Holderfield et al.	
D540,114 S *	4/2007	Picozza .....	D7/379
D540,115 S	4/2007	Picozza et al.	
7,314,308 B2	1/2008	Fallowes et al.	
D588,865 S	3/2009	Ferraby	
D593,360 S	6/2009	Lee	
7,690,836 B2	4/2010	Busick	
D628,012 S	11/2010	Bodum	
D665,223 S	8/2012	Haley et al.	
D665,224 S	8/2012	Benoit et al.	
D665,618 S	8/2012	Ho	
D703,480 S	4/2014	Lownds	
D756,165 S	5/2016	Lee et al.	
D807,109 S	1/2018	Ho et al.	
D818,762 S	5/2018	Carlson	
D845,697 S	4/2019	Gordon et al.	
D859,912 S	9/2019	Powell	
D892,539 S	8/2020	McConnell et al.	
D911,096 S	2/2021	McConnell et al.	
D911,767 S	3/2021	Koszylko	
D919,356 S *	5/2021	DeLeo .....	D7/379
2005/0007867 A1	1/2005	Wanat	
2017/0055775 A1	3/2017	Hoare et al.	

OTHER PUBLICATIONS

Elechomes Hand Mixer Elecliic. Date First reviewed on Amazon.com Jul. 13, 2020 <https://www.amazon.com/dp/B089GL8HZ2/ref> (Year: 2020).

\* cited by examiner

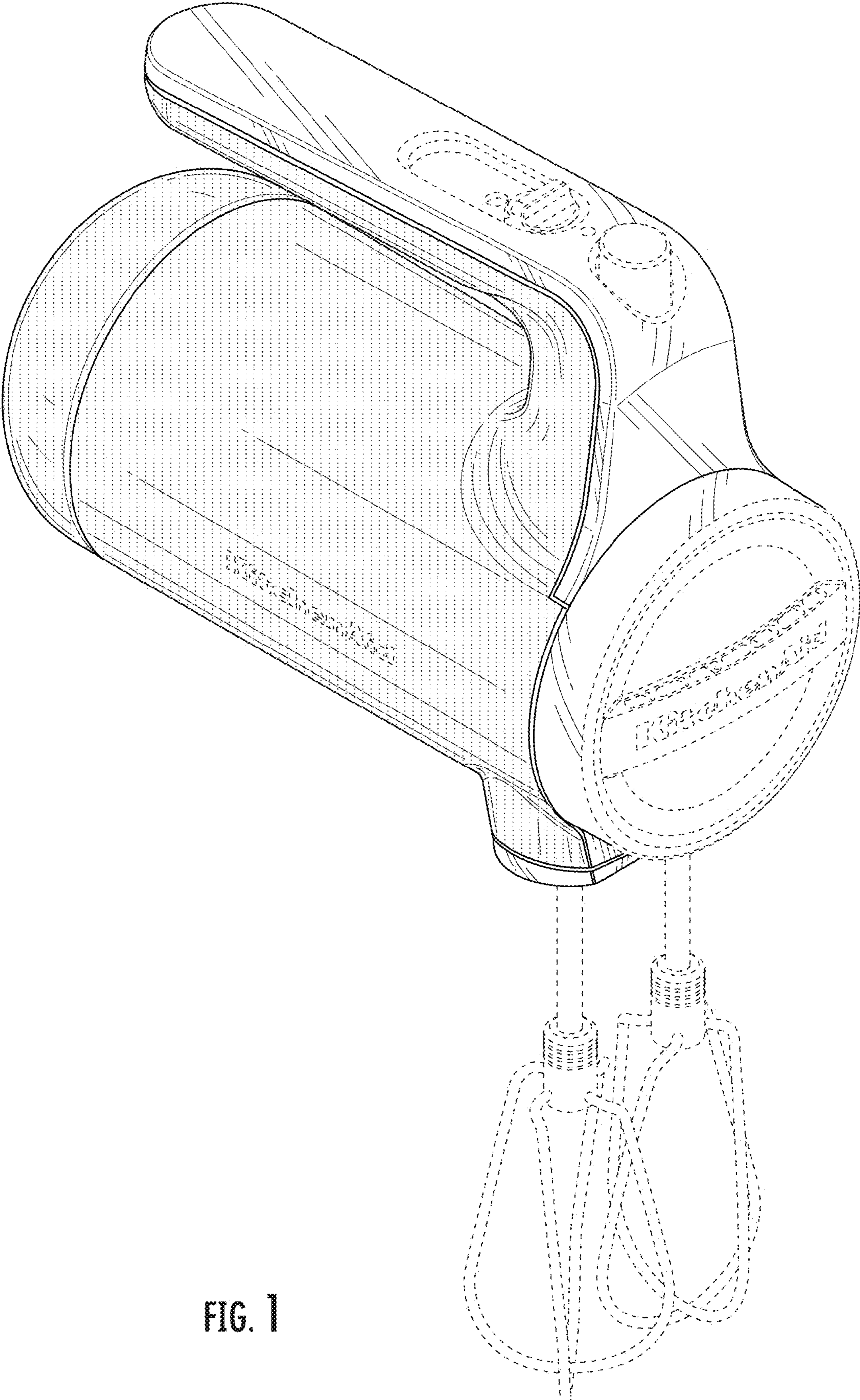


FIG. 1

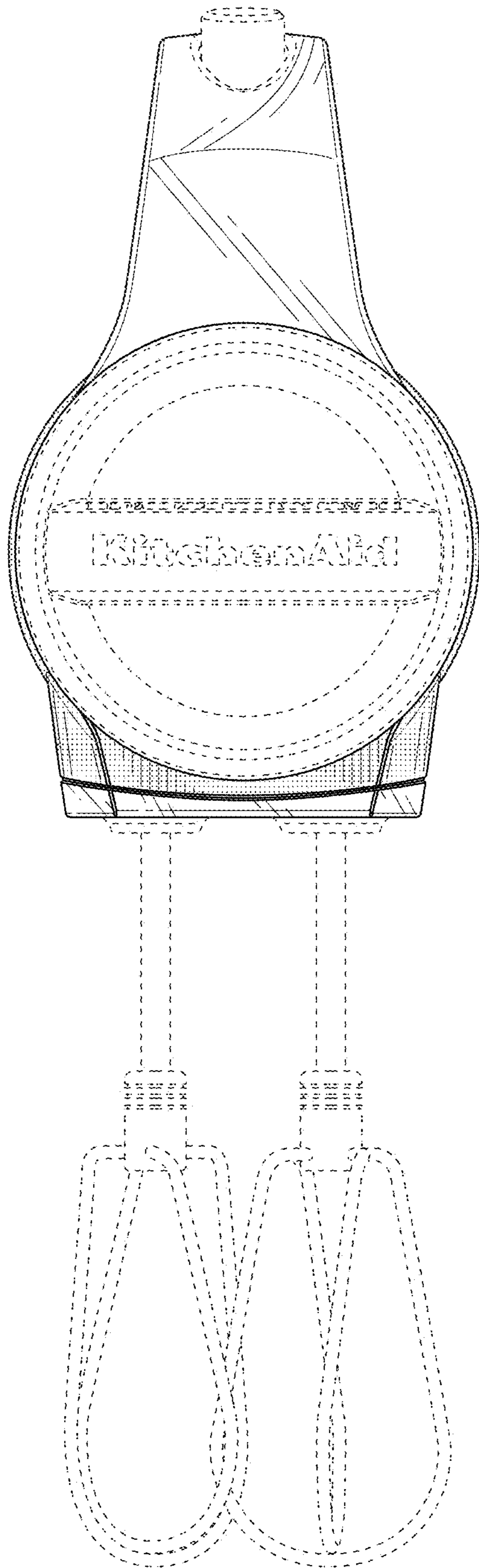


FIG. 2

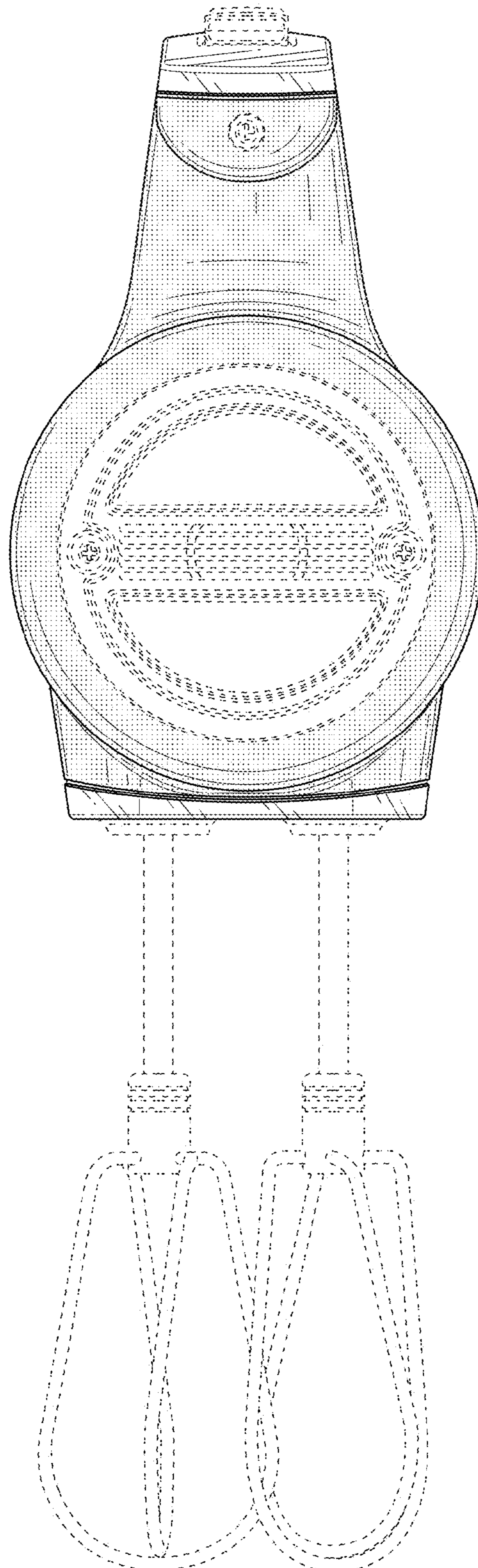


FIG. 3

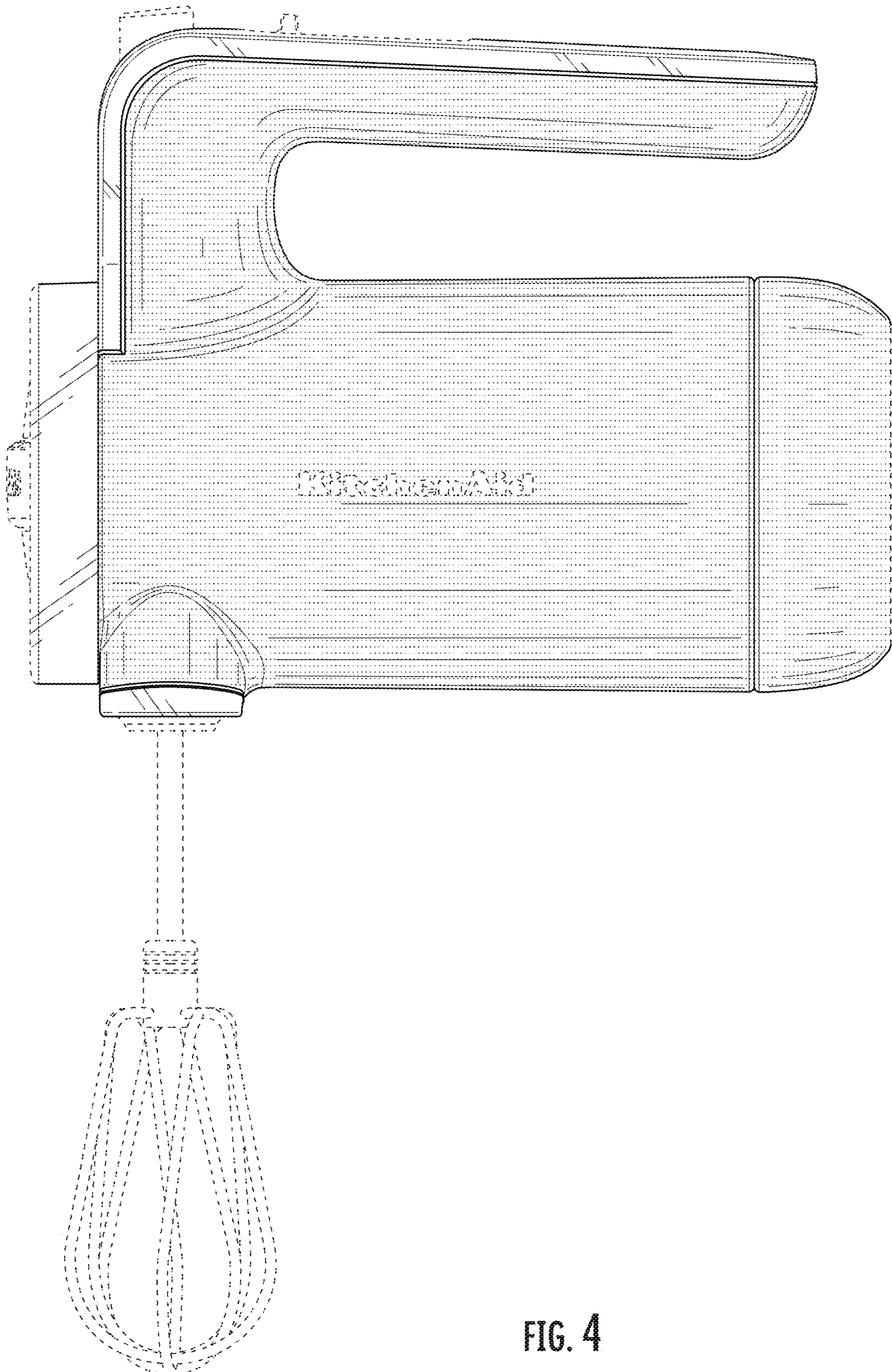


FIG. 4

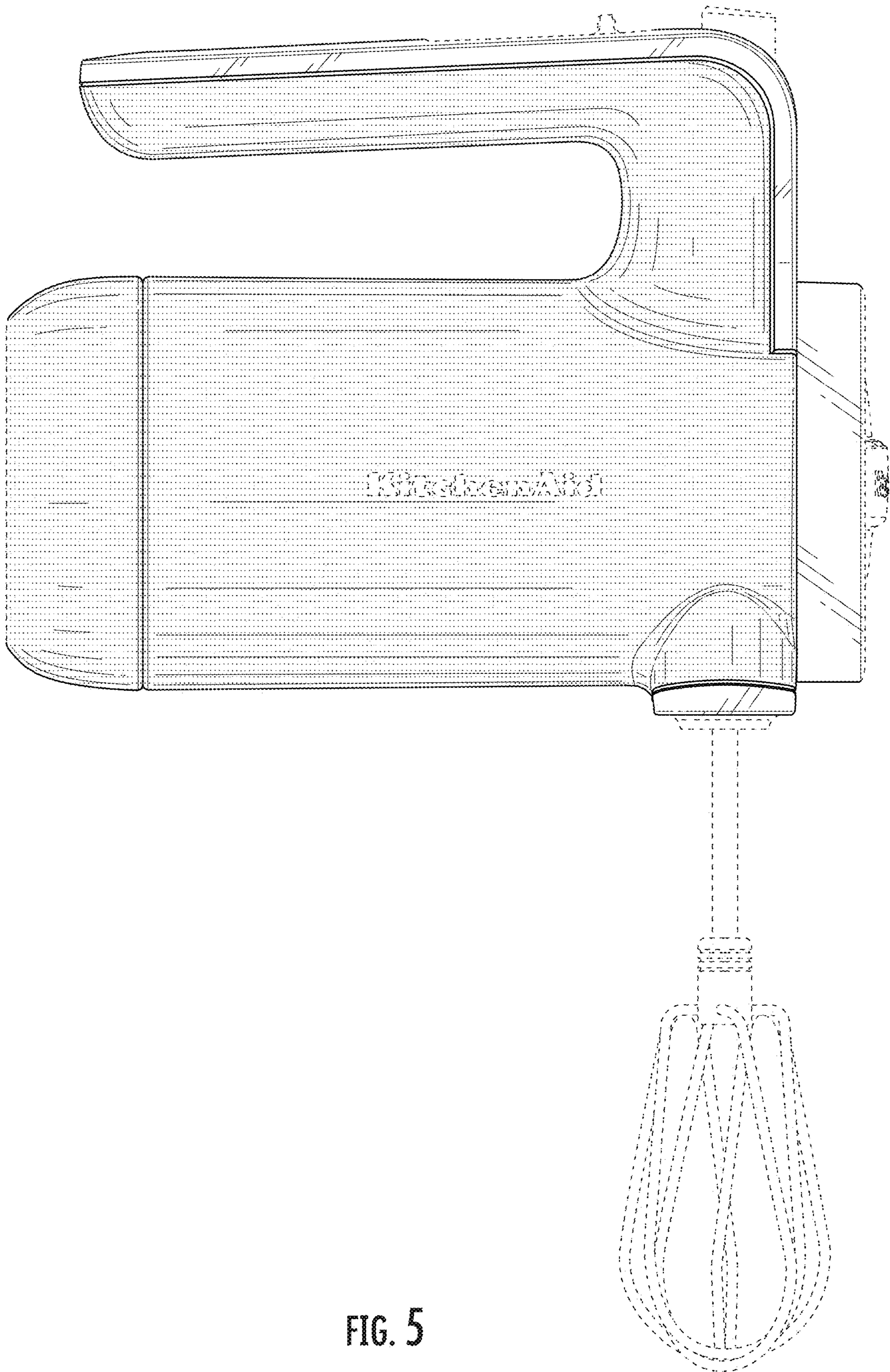


FIG. 5

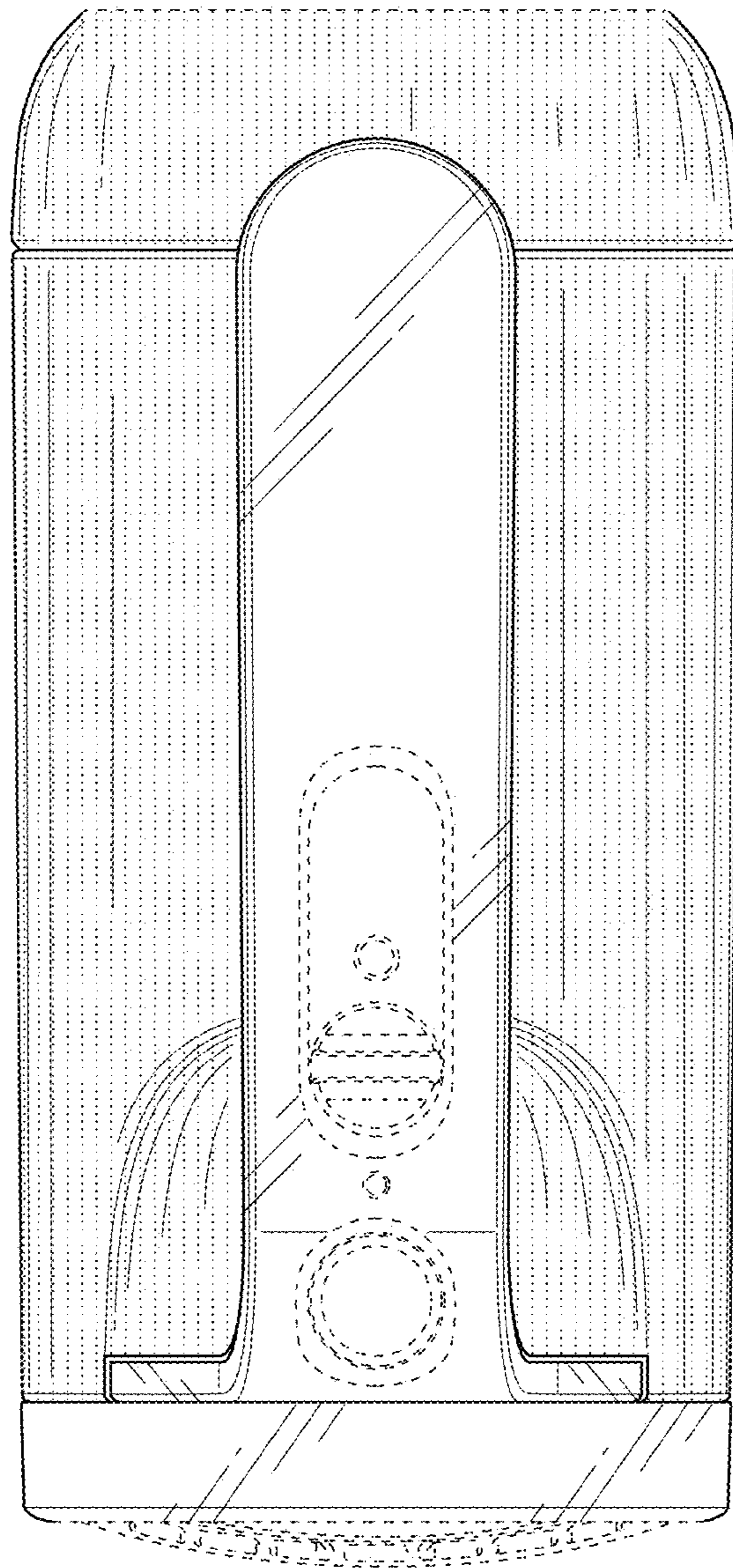


FIG. 6



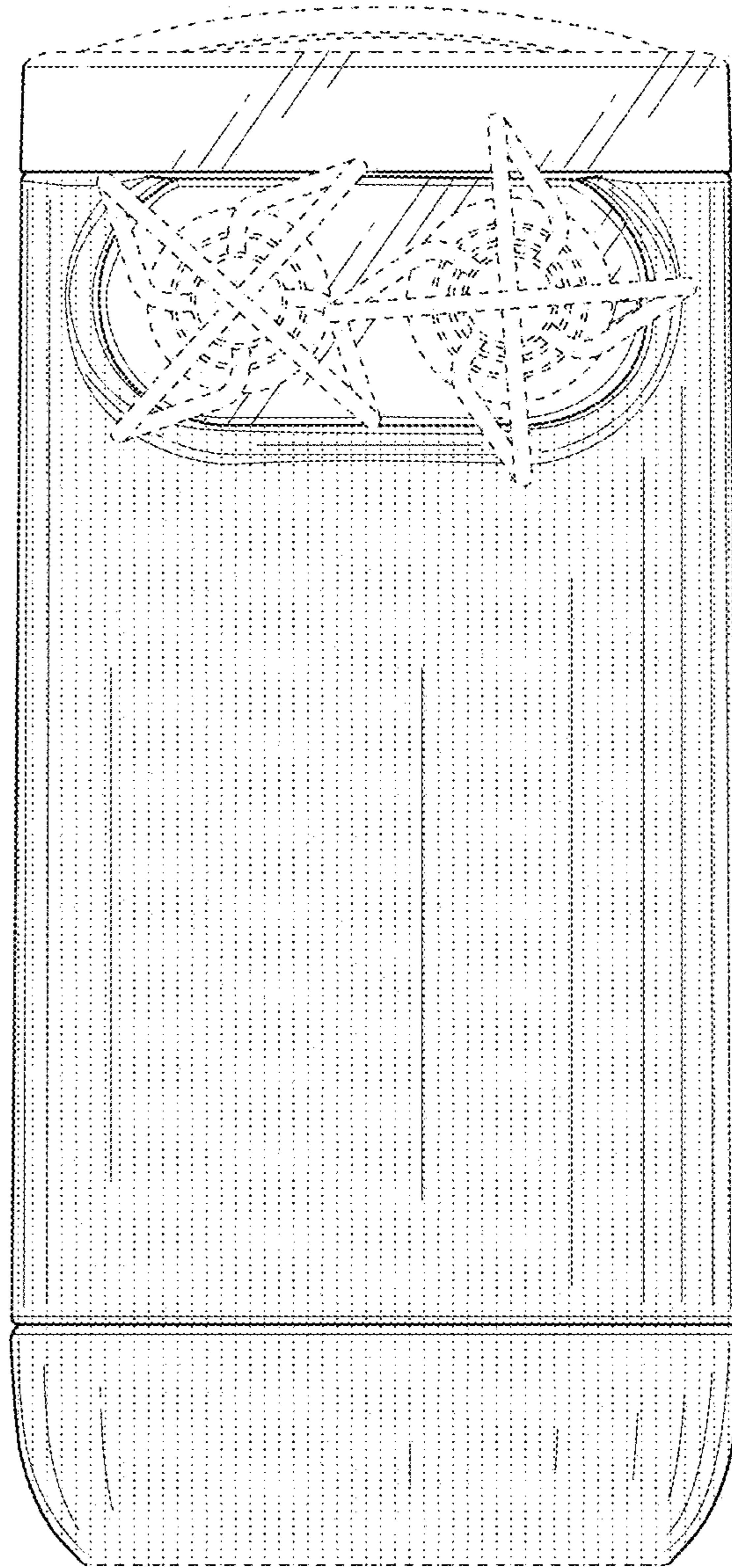


FIG. 7