



US00D938220S

(12) **United States Design Patent** (10) **Patent No.:** **US D938,220 S**
Tu (45) **Date of Patent:** **** Dec. 14, 2021**

(54) **BLENDER**

(71) Applicant: **SHARKNINJA OPERATING LLC,**
Needham, MA (US)

(72) Inventor: **Joyce Chien Tu,** Melrose, MA (US)

(73) Assignee: **SharkNinja Operating LLC,**
Needham, MA (US)

(**) Term: **15 Years**

(21) Appl. No.: **29/743,230**

(22) Filed: **Jul. 20, 2020**

(51) **LOC (13) Cl.** **31-00**

(52) **U.S. Cl.**
USPC **D7/378; D7/376; D7/412; D7/413**

(58) **Field of Classification Search**
USPC D7/372, 376-386, 412-413, 602, 629,
D7/665-666, 669, 679, 693-694
CPC A21C 1/02; A21C 1/04; A23N 1/00; A23N
1/02; A47J 43/04; A47J 43/25; A47J
43/27; A47J 43/042; A47J 43/044; A47J
43/046; A47J 43/075; A47J 43/0722;
A47J 43/0727; B01F 3/00; B01F 3/0807;
B01F 3/0853; B01F 13/0059; B01F
13/0064; B02C 1/08; B02C 2/04; B02C
4/42; B02C 4/142; B02C 4/143; B02C
4/423; B02C 13/1835; B28C 5/10; B28C
5/12; B28C 5/14; B28C 5/16

See application file for complete search history.

(56) **References Cited**

U.S. PATENT DOCUMENTS

D187,684 S *	4/1960	Hauser	D7/386
D621,656 S	8/2010	Ulanski et al.		
D690,152 S *	9/2013	Palermo	D7/386
D705,606 S	5/2014	Coakley et al.		
D711,682 S *	8/2014	Norland	D7/384
D730,683 S	6/2015	Tu		

D769,061 S	10/2016	Diderotto		
D783,340 S *	4/2017	Palermo	D7/386
D784,761 S	4/2017	Tu		
D808,719 S	1/2018	Coakley		
D811,167 S	2/2018	Smith		
D815,887 S *	4/2018	Huang	D7/378
D833,814 S *	11/2018	Smith	D7/413
D839,670 S	2/2019	Youngmann		
D844,374 S *	4/2019	McConnell	D7/386
D846,338 S	4/2019	Smith et al.		
D846,339 S	4/2019	Smith		

(Continued)

OTHER PUBLICATIONS

U.S. Appl. No. 29/766,277, filed Jan. 14, 2021; Restriction Requirement dated Mar. 16, 2021; 7 pages.

Primary Examiner — Ricky Pham

(74) *Attorney, Agent, or Firm* — Burns & Levinson LLP;
Joseph M. Maraia

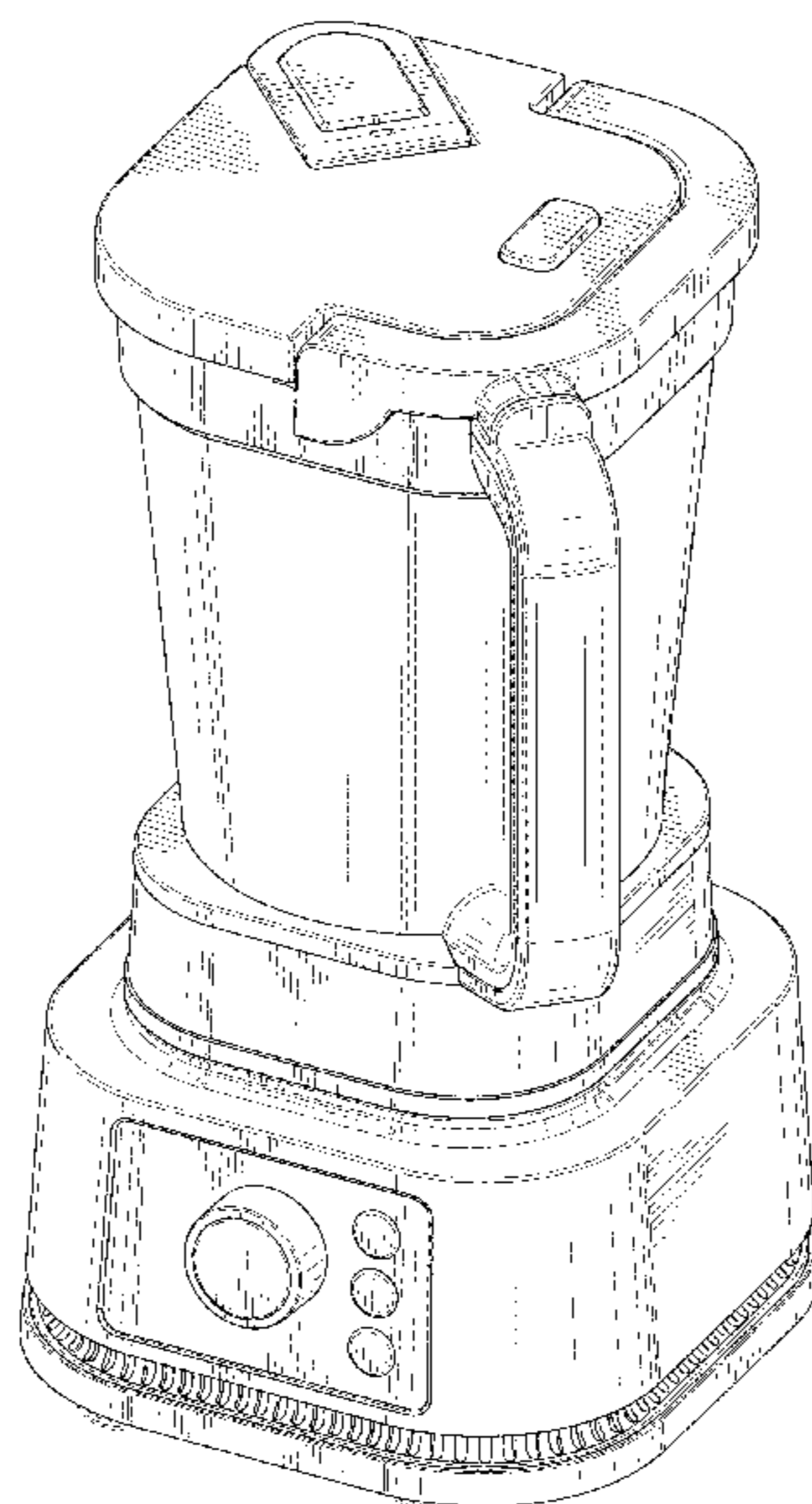
(57) **CLAIM**

The ornamental design for a blender, as shown and described.

DESCRIPTION

FIG. 1 is a perspective view of a blender showing my new design;
FIG. 2 is a front view of the embodiment shown in FIG. 1;
FIG. 3 is a rear view of the embodiment shown in FIG. 1;
FIG. 4 is a side view of the embodiment shown in FIG. 1;
FIG. 5 is another side view of the embodiment shown in FIG. 1;
FIG. 6 is a top view of the embodiment shown in FIG. 1;
and,
FIG. 7 is a bottom view of the embodiment shown in FIG. 1.
The broken lines in the drawings are for environmental purposes only and form no part of the claimed design.

1 Claim, 7 Drawing Sheets



(56)

References Cited

U.S. PATENT DOCUMENTS

D857,441 S * 8/2019 Ou D7/378
10,455,985 B2 * 10/2019 Lee A47J 43/046
D880,239 S 4/2020 Mcconnell et al.
D905,493 S * 12/2020 Ye D7/378
D905,504 S 12/2020 Upston
D920,045 S * 5/2021 McConnell D7/413
D925,271 S * 7/2021 Palladino D7/378
D925,284 S * 7/2021 Bannister D7/413
2017/0341253 A1 11/2017 Arriens et al.

* cited by examiner

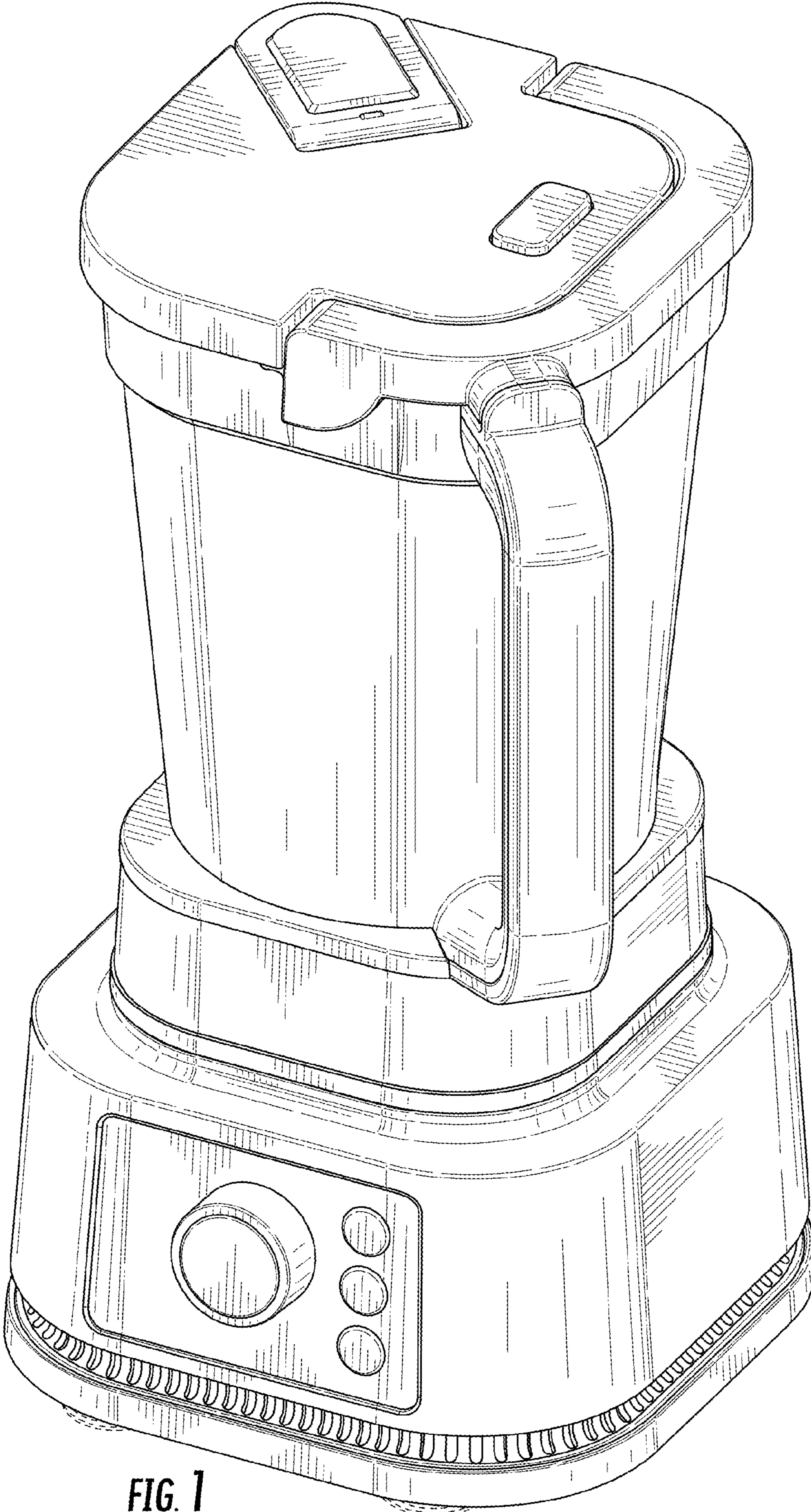


FIG. 1

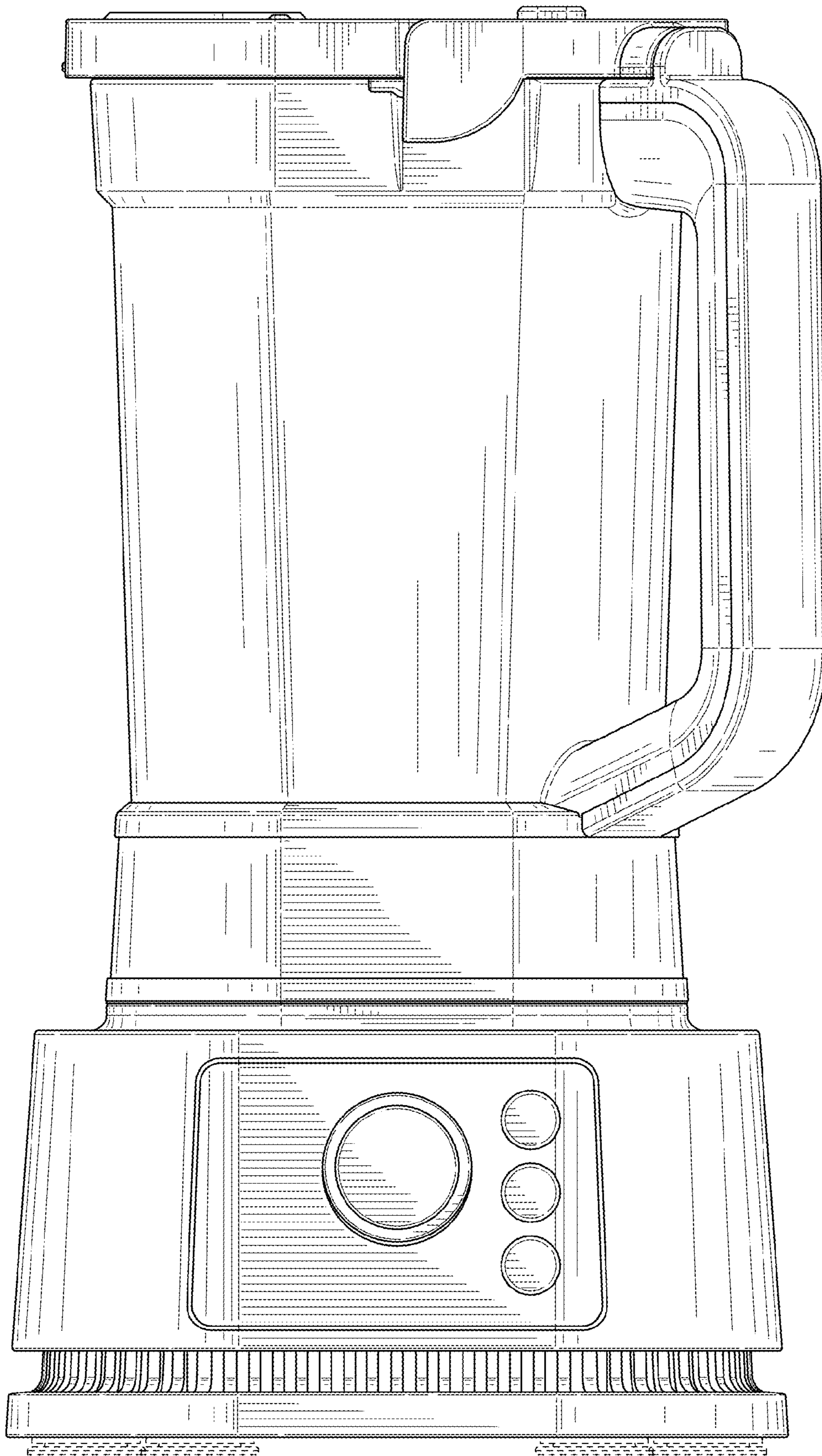


FIG. 2

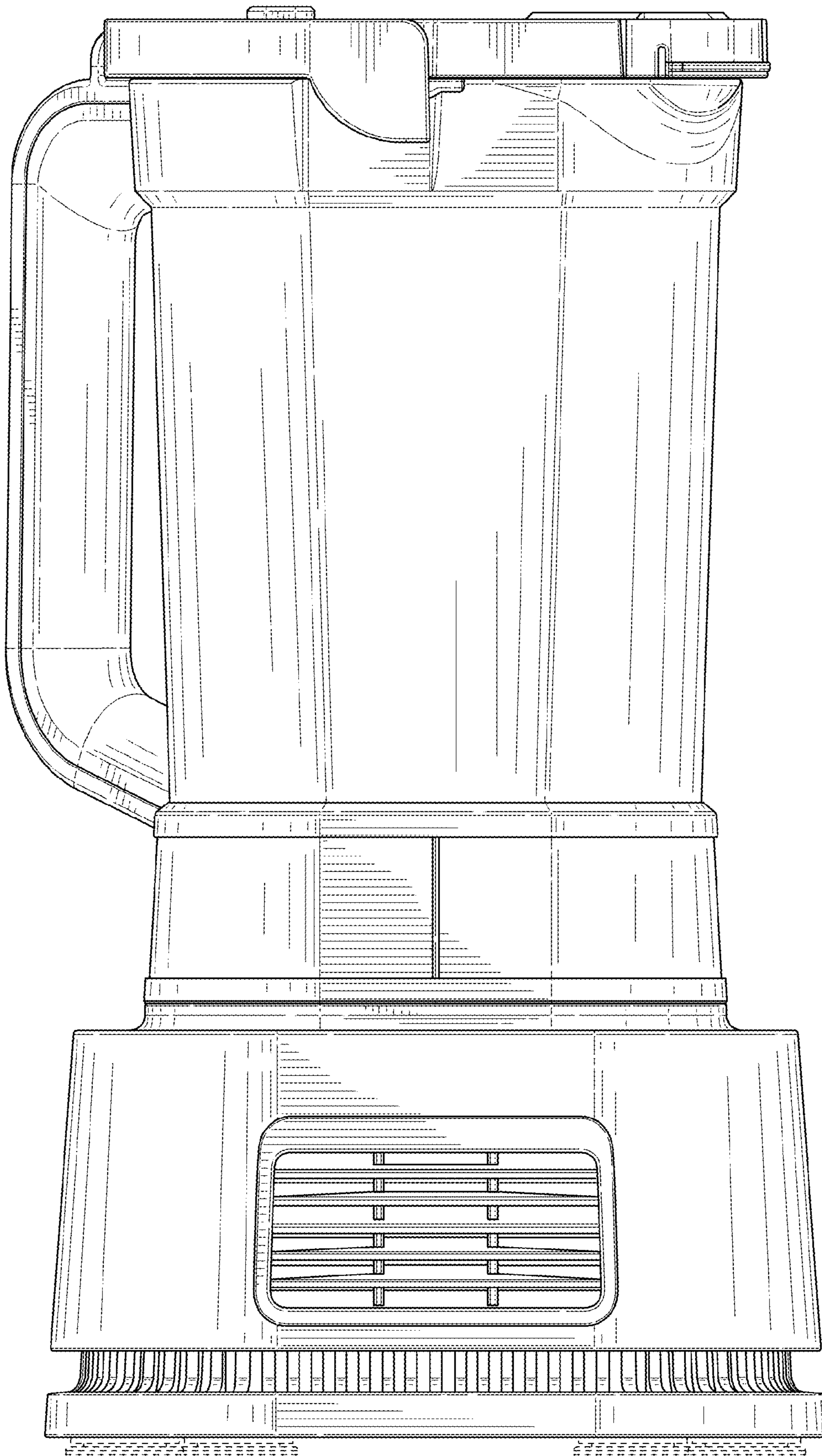


FIG. 3

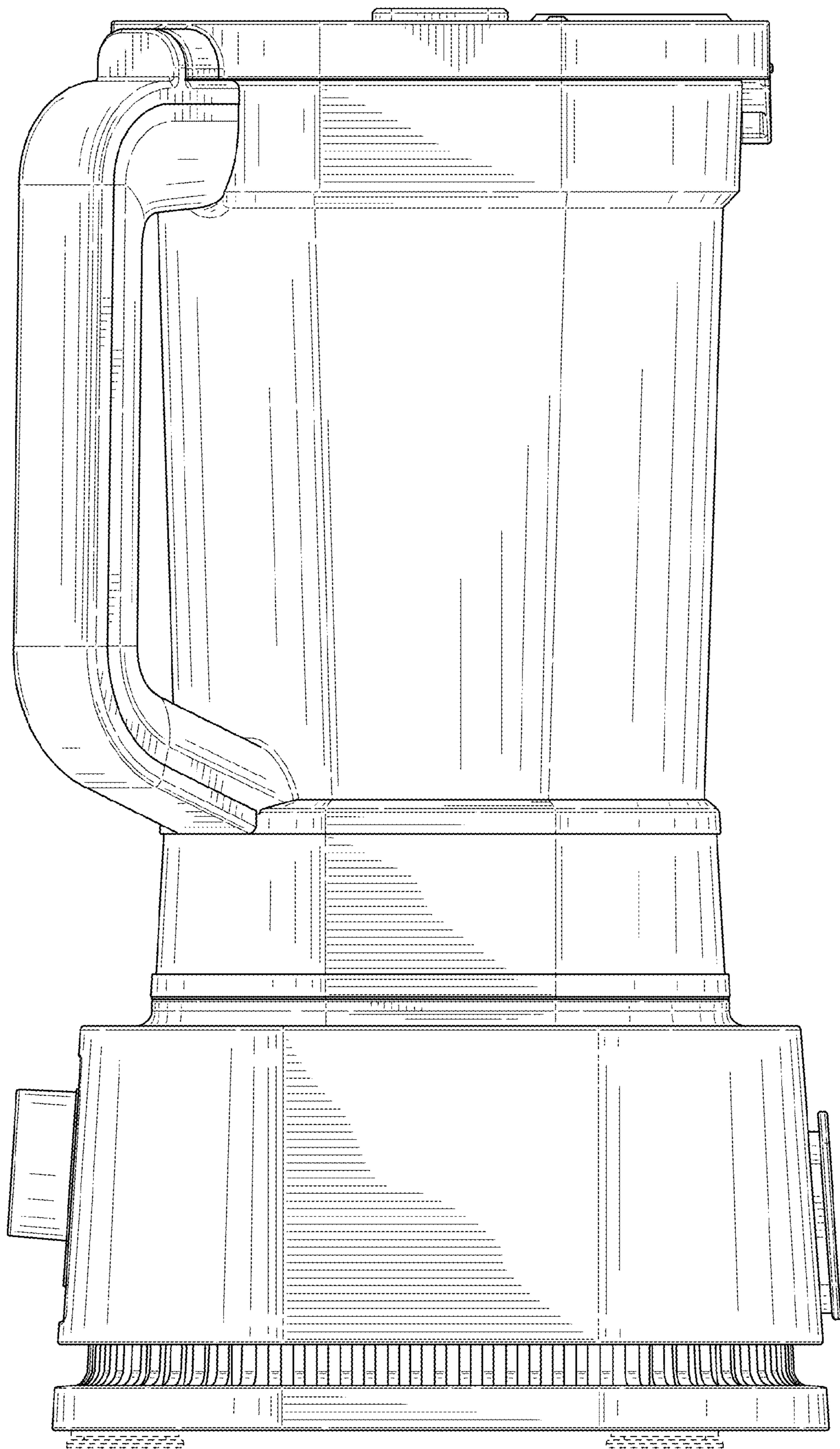


FIG. 4

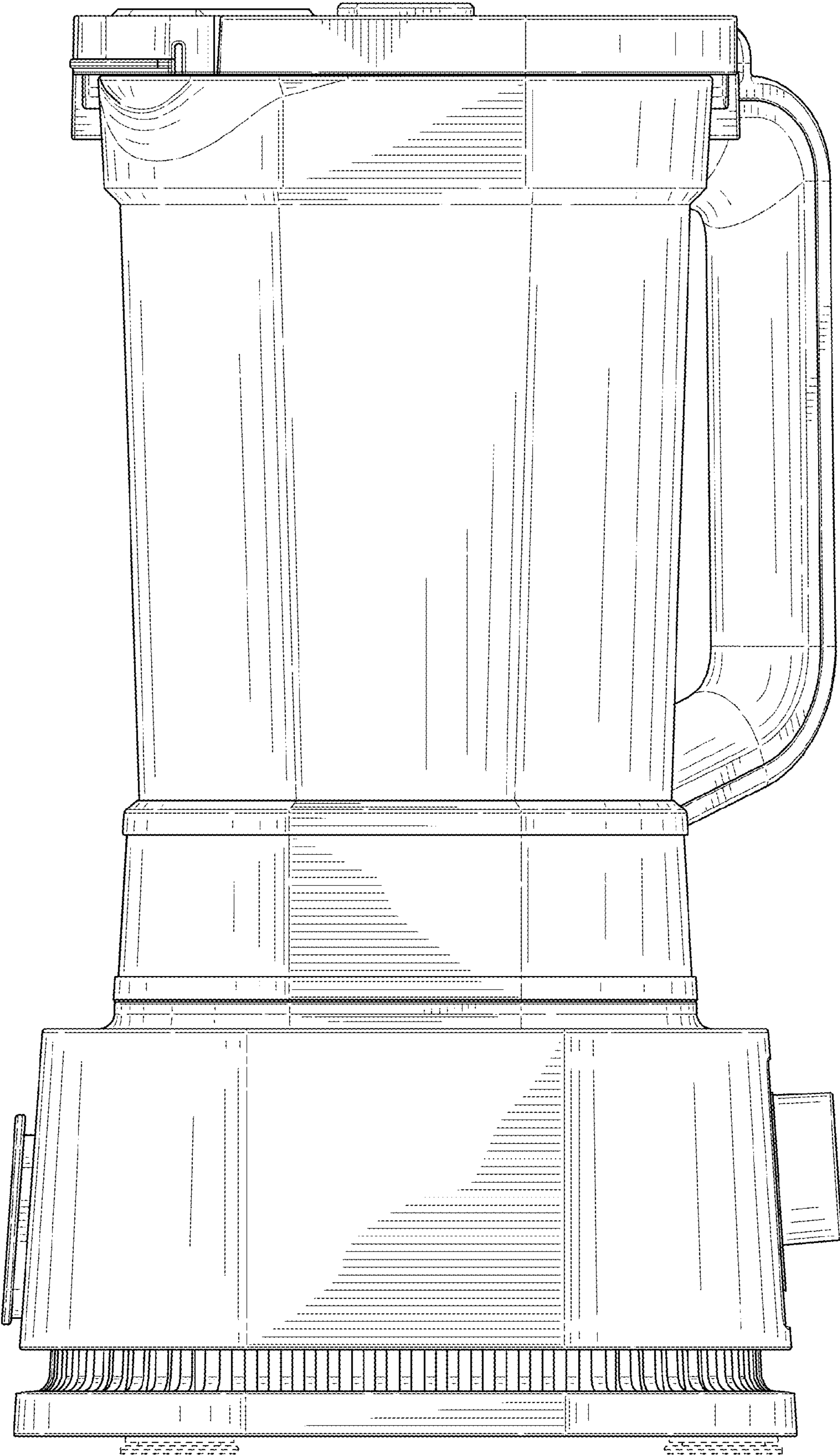


FIG. 5

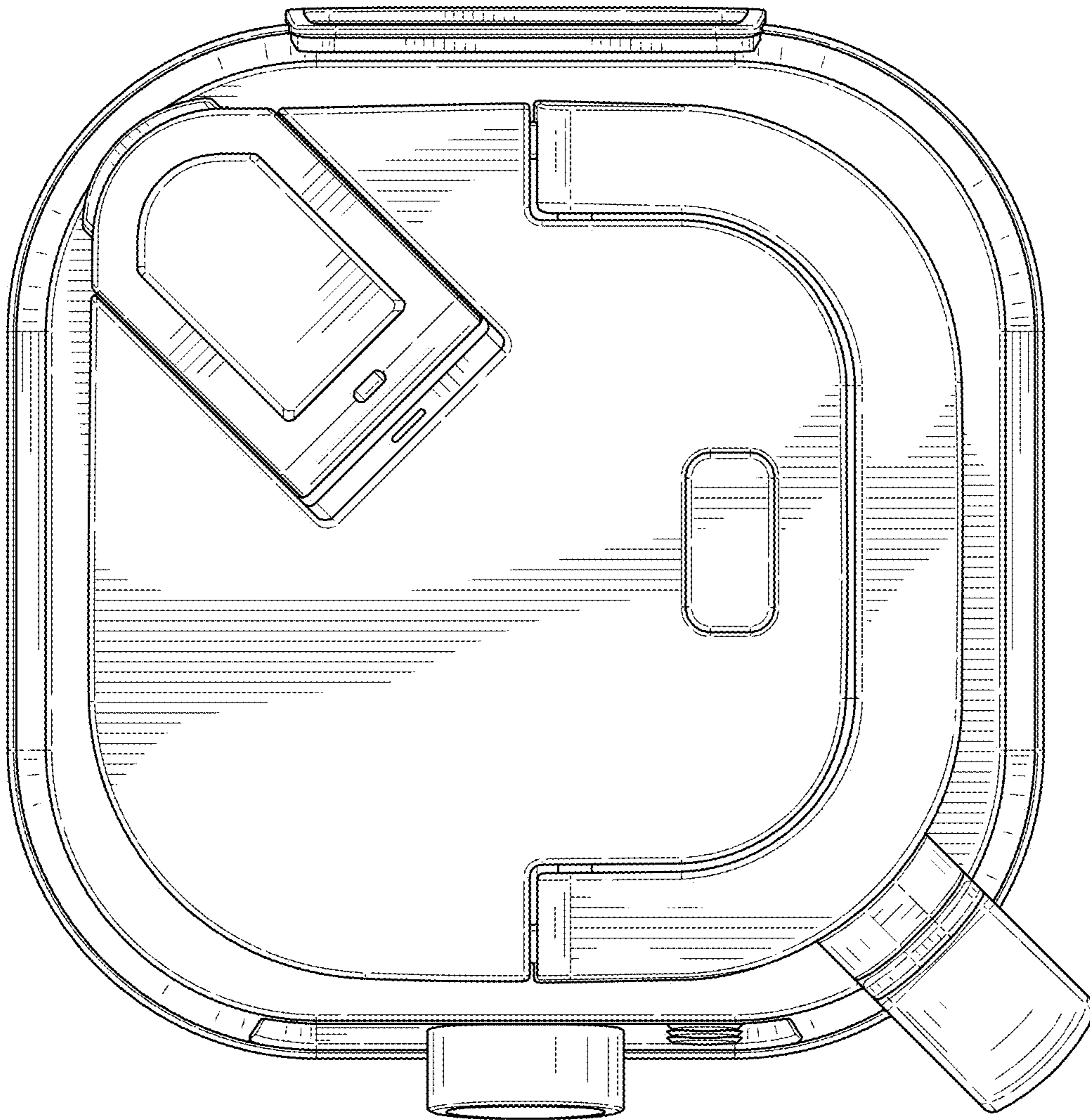


FIG. 6

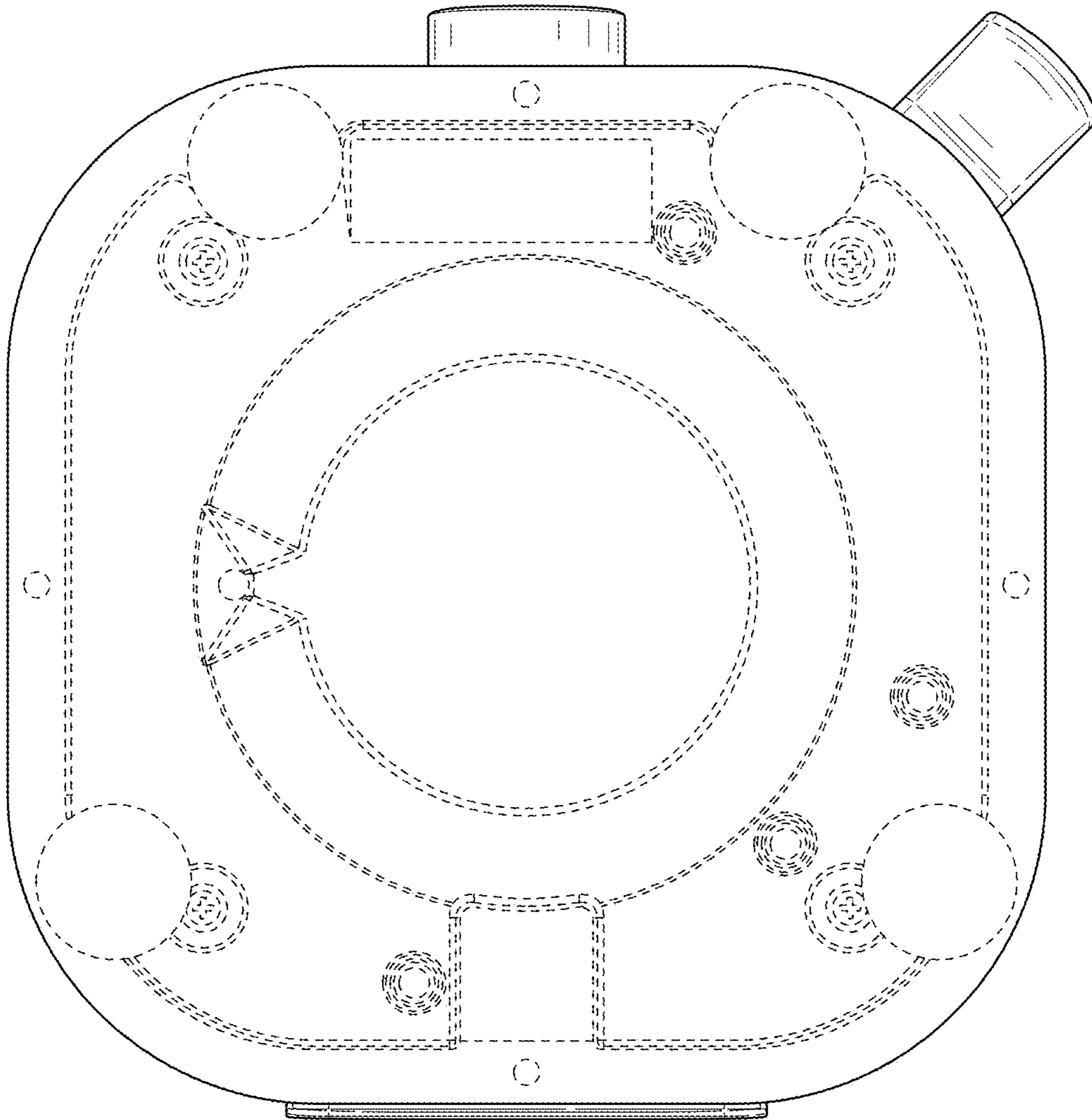


FIG. 7