



US00D938219S

(12) **United States Design Patent**
Wu et al.

(10) **Patent No.:** **US D938,219 S**
(45) **Date of Patent:** **** Dec. 14, 2021**

(54) **AIR FRYER**
(71) Applicant: **MIDEA GROUP CO., LTD.**,
Guangdong (CN)
(72) Inventors: **Chenglong Wu**, Guangdong (CN); **Mao Tan**,
Guangdong (CN); **Wengan Liang**,
Guangdong (CN)
(73) Assignee: **MIDEA GROUP CO., LTD.**, Foshan
(CN)
(**) Term: **15 Years**
(21) Appl. No.: **35/510,085**
(22) Filed: **May 12, 2020**

D803,615 S * 11/2017 Zhang D7/354
D820,031 S * 6/2018 Zhang D7/354
D848,200 S * 5/2019 Kowalewski D7/354
D855,396 S * 8/2019 Zhang D7/405
D873,600 S * 1/2020 Hu D7/354
D874,867 S * 2/2020 Varjabedian D7/354
D875,463 S * 2/2020 Chen D7/354
D878,138 S * 3/2020 Van Ratingen A47J 37/0641
D7/354
D878,850 S * 3/2020 Hu D7/354
D879,541 S * 3/2020 Chen D7/354
D879,542 S * 3/2020 Chen D7/354

(Continued)

(80) **Hague Agreement Data**
Int. Filing Date: **May 12, 2020**
Int. Reg. No.: **DM/209555**
Int. Reg. Date: **May 12, 2020**
Int. Reg. Pub. Date: **Aug. 14, 2020**

(30) **Foreign Application Priority Data**
Apr. 3, 2020 (CN) 202030128256.7
(51) **LOC (13) Cl.** **07-02**
(52) **U.S. Cl.**
USPC **D7/354**
(58) **Field of Classification Search**
USPC D7/300.1, 318, 319, 348, 350.1, 354,
D7/362, 402, 509, 510, 511, 533, 604,
D7/609, 611, 615, 649, 652, 653, 664,
D7/671, 672, 674, 683, 691, 698, 701,
D7/703, 708
CPC . A21B 2/00; A47J 43/27; A47G 19/22; H05B
6/64
See application file for complete search history.

(56) **References Cited**
U.S. PATENT DOCUMENTS
D719,397 S * 12/2014 Krooshof A47J 37/0641
D7/354
D726,485 S * 4/2015 Mullen D7/317

OTHER PUBLICATIONS

Maraehan Jackgold, Aug. 20, 2020, found on Oct. 6, 2021 at
https://www.amazon.com/dp/B08GCCVN2B/ref=sbl_dp_kitchen-electric-cookware_B07GNSHPBQ_0?th=1 (Year: 2020).*

Primary Examiner — Karen S Acker
(74) *Attorney, Agent, or Firm* — Morgan, Lewis &
Bockius LLP

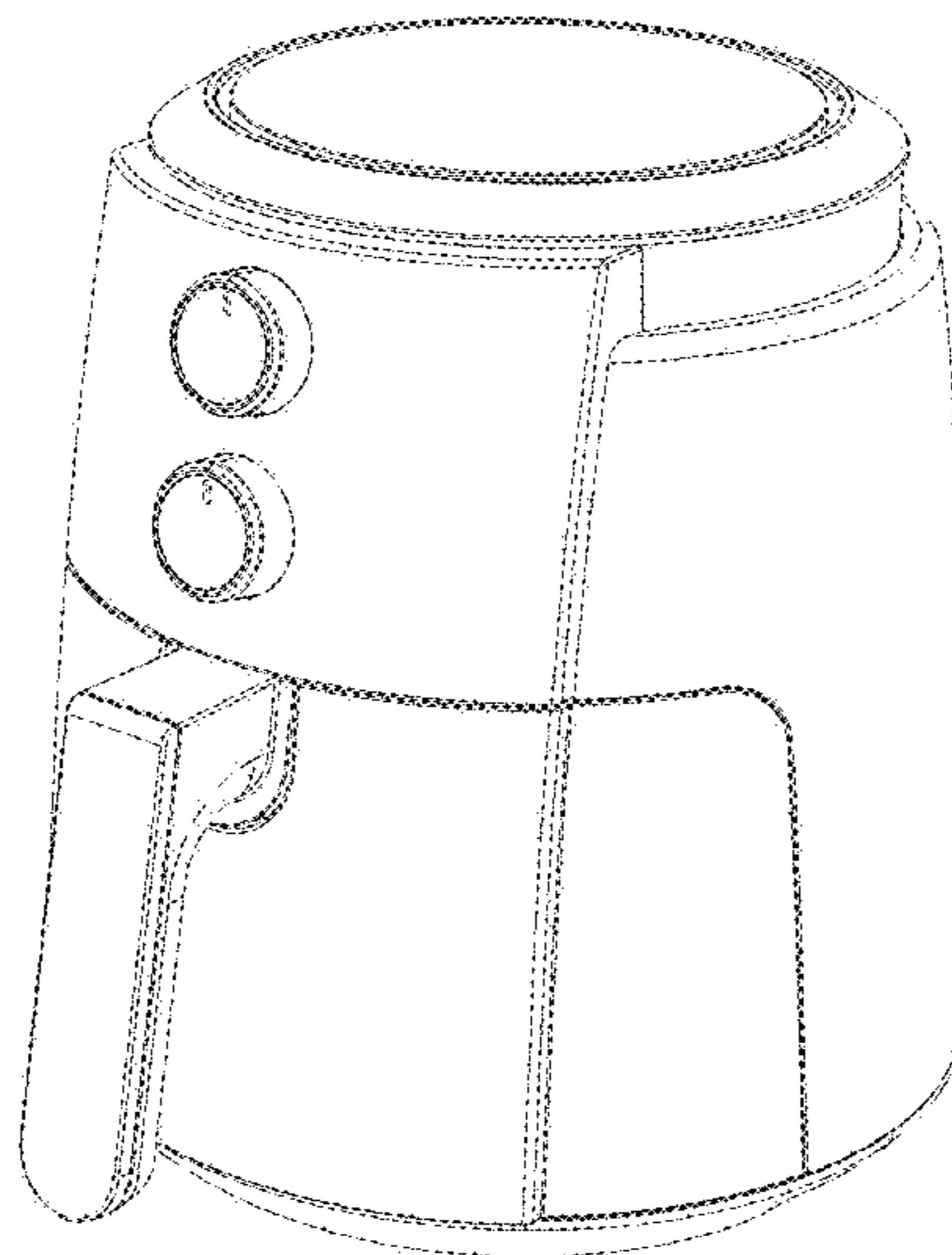
(57) **CLAIM**

The ornamental design for an air fryer, as shown and
described.

DESCRIPTION

1. Air fryer
1.1 : Front
1.2 : Back
1.3 : Left
1.4 : Right
1.5 : Top
1.6 : Bottom
1.7 : Perspective
The broken lines in the drawings depict portions of the air
fryer that form no part of the claimed design.

1 Claim, 7 Drawing Sheets



(56)

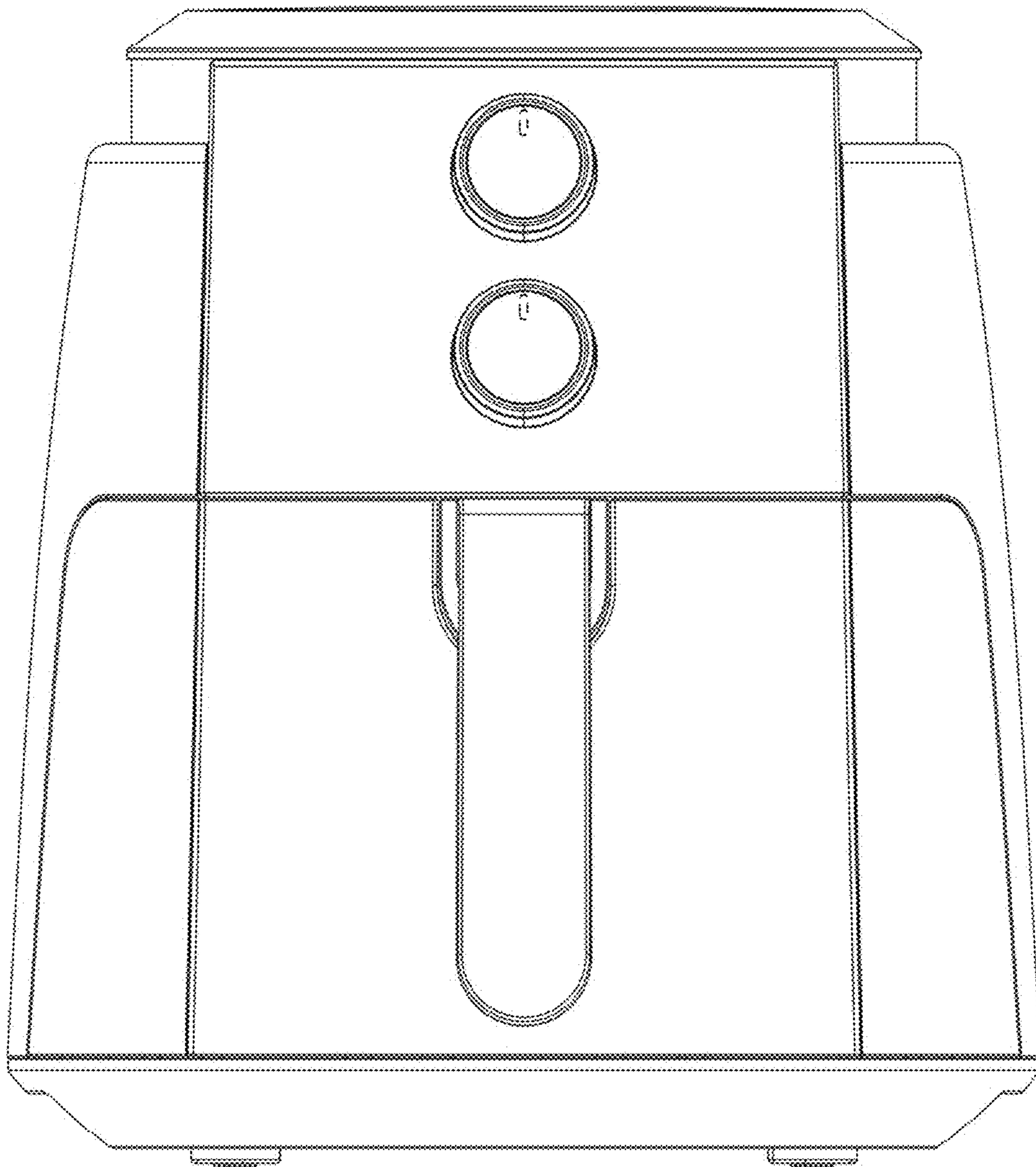
References Cited

U.S. PATENT DOCUMENTS

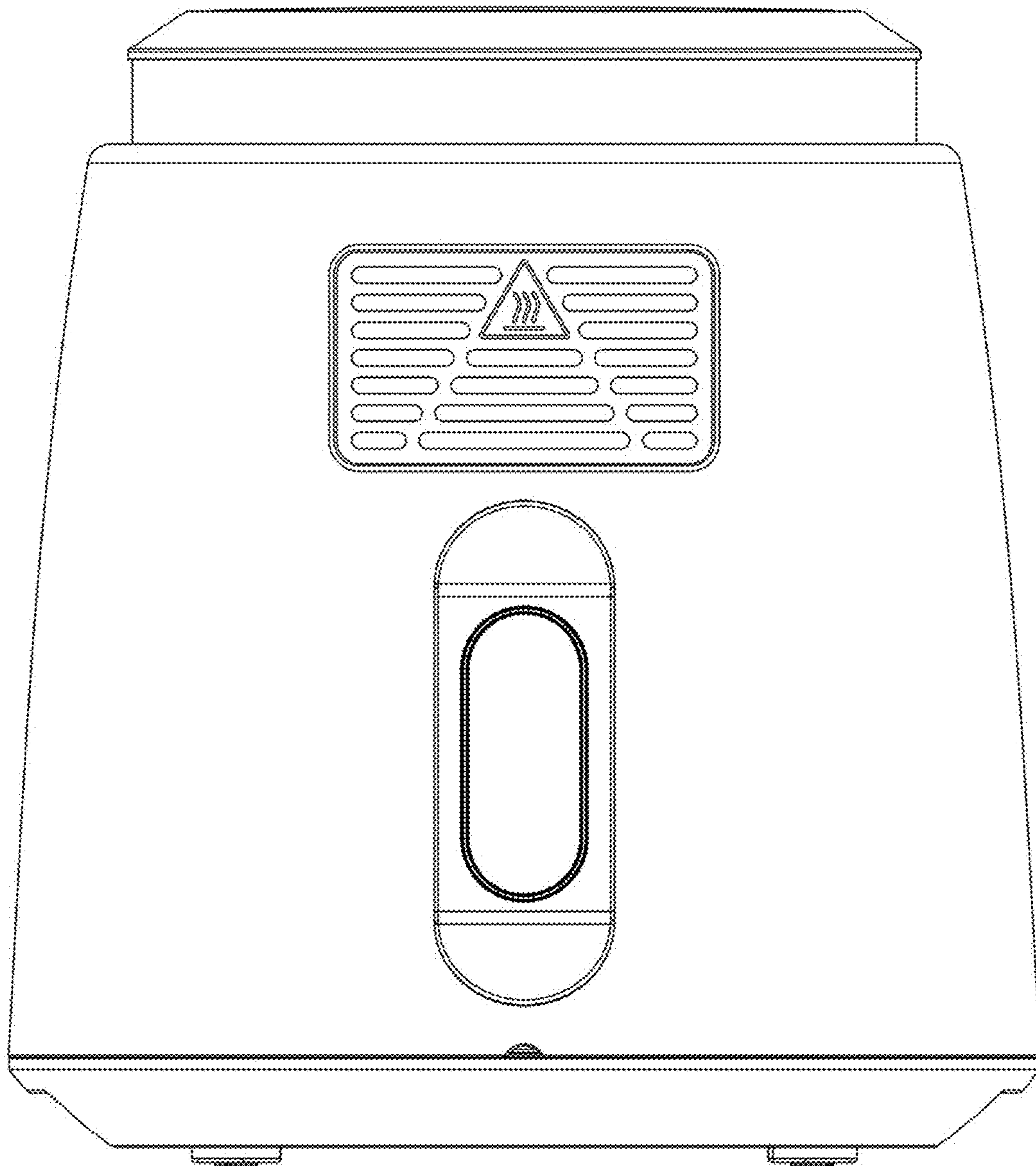
D880,220 S * 4/2020 Chen A47J 27/004
D7/354
D882,329 S * 4/2020 Varjabedian A47J 37/0664
D7/354
D883,729 S * 5/2020 Yang A47J 37/0641
D7/354
D889,896 S * 7/2020 Liu A47J 37/049
D7/319
D904,103 S * 12/2020 Krause D7/354
D923,386 S * 6/2021 Lin D7/354
2014/0366746 A1* 12/2014 Tsai A47J 37/0641
99/403
2015/0122137 A1* 5/2015 Chang A47J 27/004
99/447
2016/0192808 A1* 7/2016 Van Der Burg A47J 37/049
99/443 C
2020/0008616 A1* 1/2020 Moon A47J 37/0664

* cited by examiner

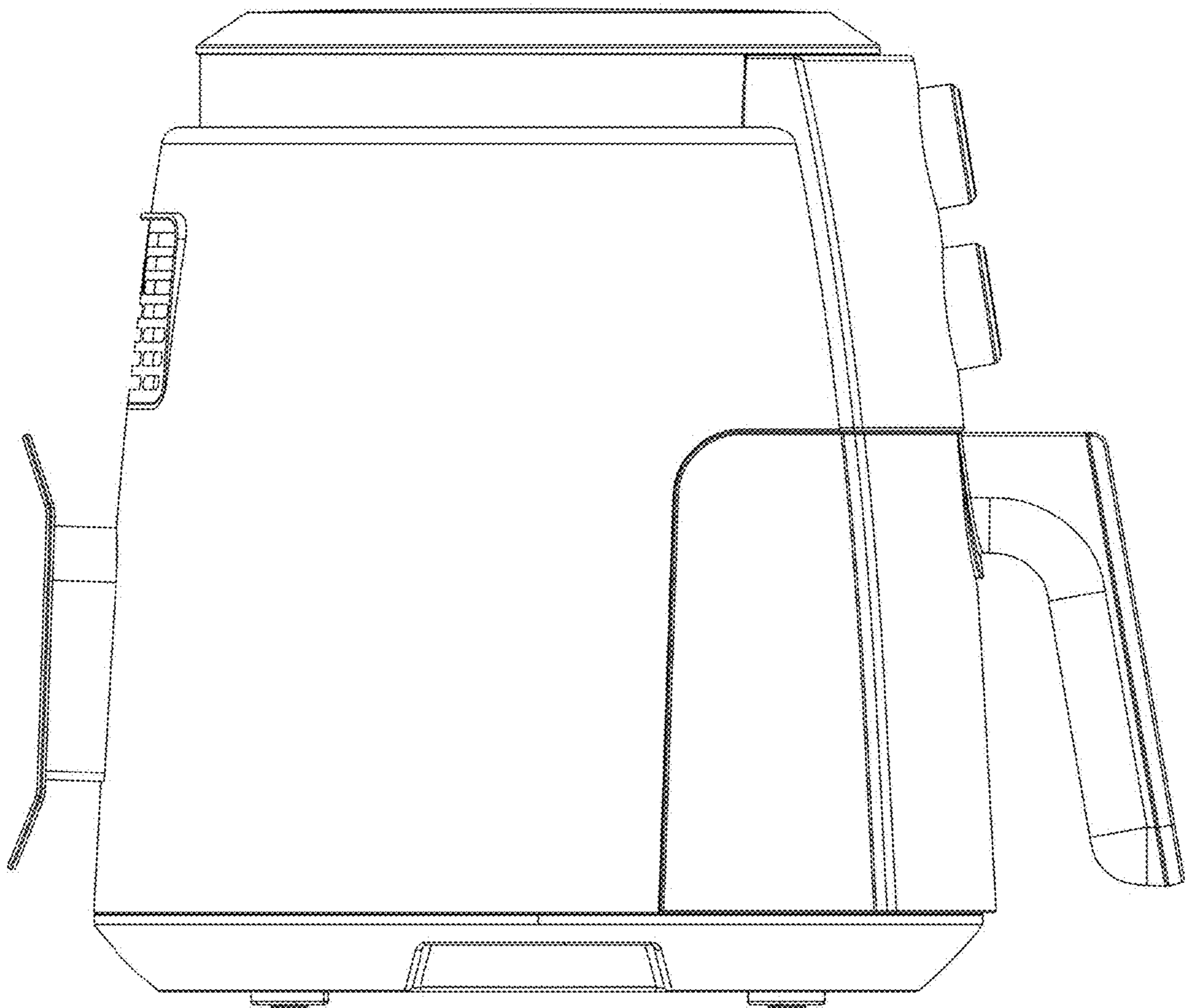
1.1



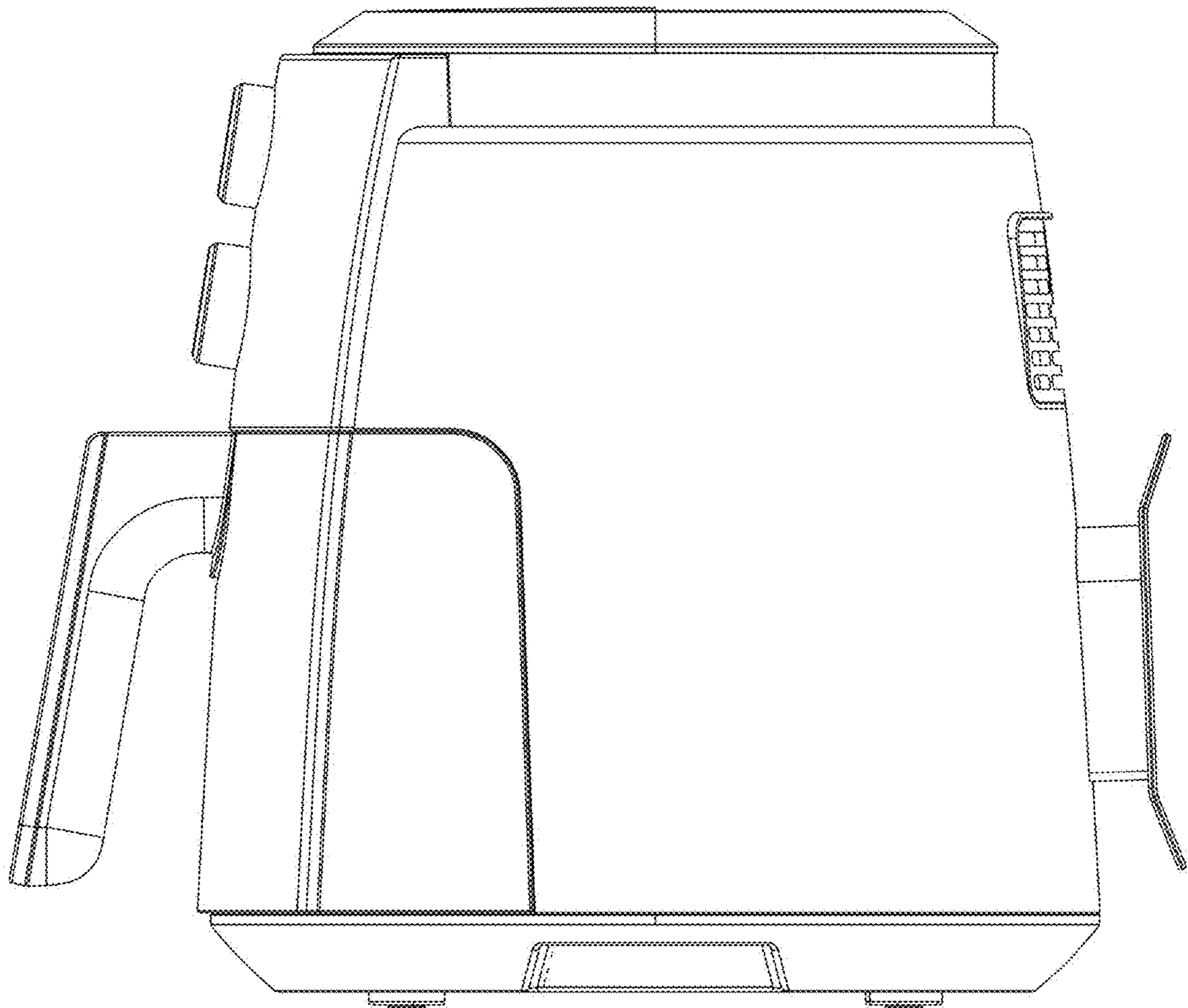
1.2



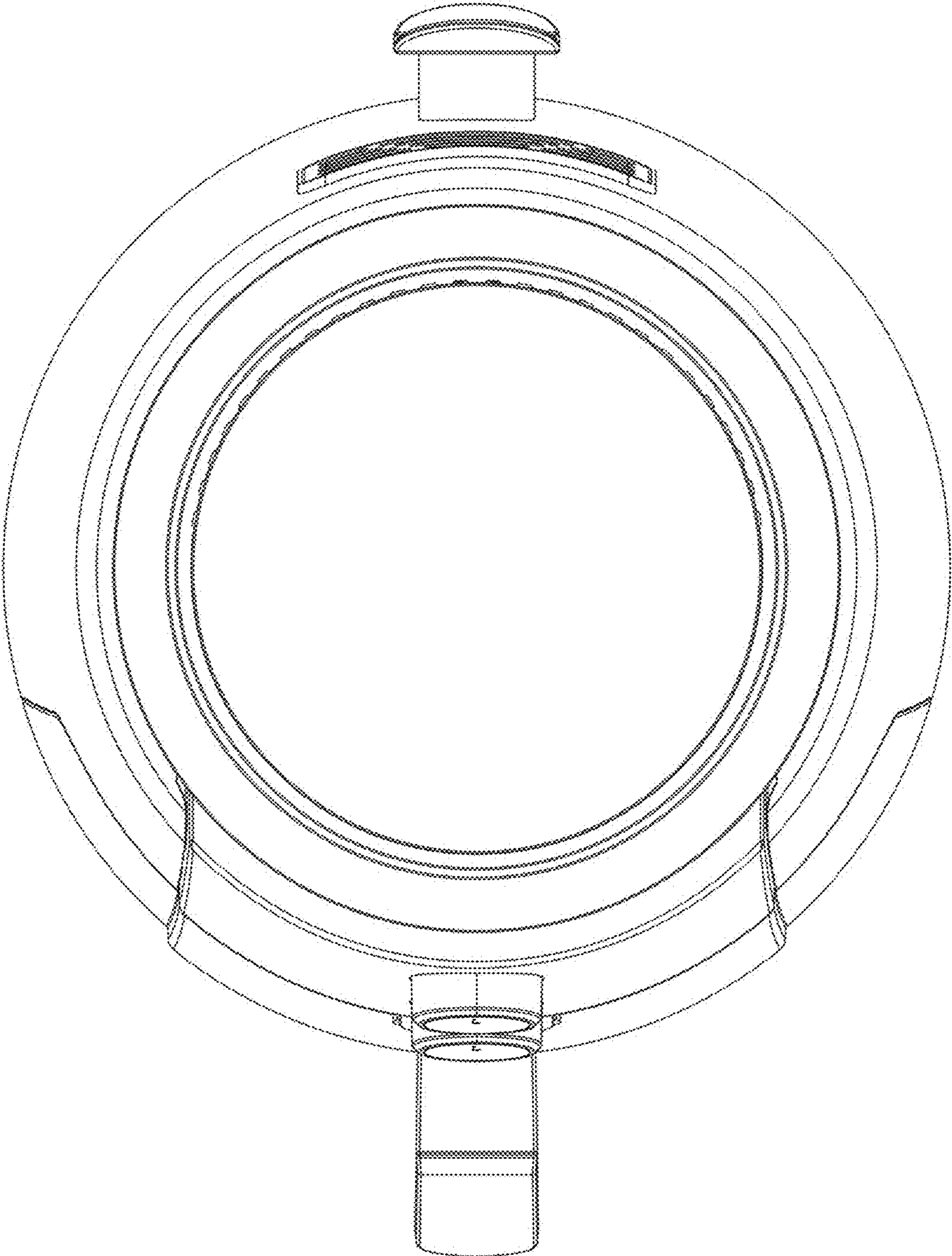
1.3



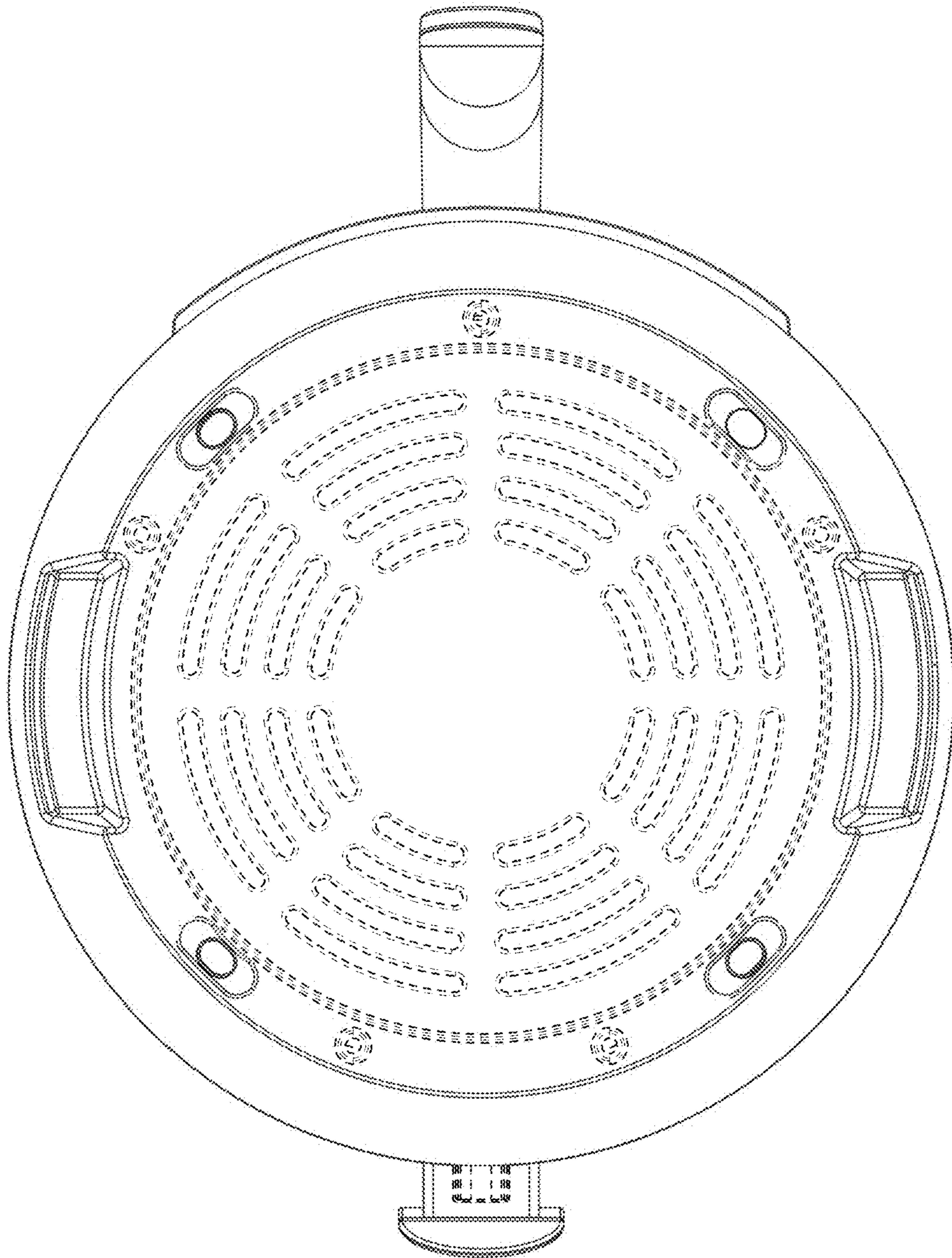
1.4



1.5



1.6



1.7

