



US00D938218S

(12) **United States Design Patent** (10) **Patent No.:** **US D938,218 S**
Dubeau (45) **Date of Patent:** **** Dec. 14, 2021**

(54) **FOOD PREPARATION DEVICE**
(71) Applicant: **SHARKNINJA OPERATING LLC,**
Needham, MA (US)
(72) Inventor: **Michaela Dubeau,** Uxbridge, MA (US)
(73) Assignee: **SharkNinja Operating LLC,**
Needham, MA (US)

D874,867 S * 2/2020 Varjabedian D7/354
D875,463 S * 2/2020 Chen D7/354
D878,850 S * 3/2020 Hu D7/354
D880,220 S * 4/2020 Chen D7/354
D882,329 S * 4/2020 Varjabedian D7/354
D883,729 S * 5/2020 Yang D7/354
D901,229 S * 11/2020 Ou D7/354
D923,386 S * 6/2021 Lin D7/354
2015/0122137 A1* 5/2015 Chang A47J 27/004
99/447

(**) Term: **15 Years**

OTHER PUBLICATIONS

(21) Appl. No.: **29/743,241**

Aigostar Air Fryer. Date First Available on Amazon.com May 27, 2020. <https://www.amazon.com/dp/B0896VBKLM/ref>(Year: 2020).*

(22) Filed: **Jul. 20, 2020**

* cited by examiner

(51) **LOC (13) Cl.** **07-02**

(52) **U.S. Cl.**
USPC **D7/354**

Primary Examiner — Ricky Pham
(74) *Attorney, Agent, or Firm* — Mintz Levin Cohn Ferris
Glovsky and Popeo, PC; Lisa Adams

(58) **Field of Classification Search**
USPC D7/323, 354–361
CPC A23L 1/01; A23L 1/0107; A23L 1/0114;
A47J 27/00; A47J 27/004; A47J 27/08;
A47J 27/09; A47J 27/092; A47J 36/025;
A47J 36/06; A47J 36/08; A47J 36/10;
A47J 36/12; A47J 36/18; A47J 36/20;
A47J 36/22; A47J 36/165; A47J 37/00;
A47J 37/12; A47J 37/129; A47J 37/1204;
A47J 37/1209; A47J 37/1214; A47J
37/1219; A47J 37/1266; A47J 37/1285;
A47J 37/1295; G07F 17/0064; G07F
17/0078; G07F 17/0085; H05B 6/02;
H05B 6/06; H05B 6/12

See application file for complete search history.

(57) **CLAIM**

The ornamental design for a food preparation device, as shown and described.

DESCRIPTION

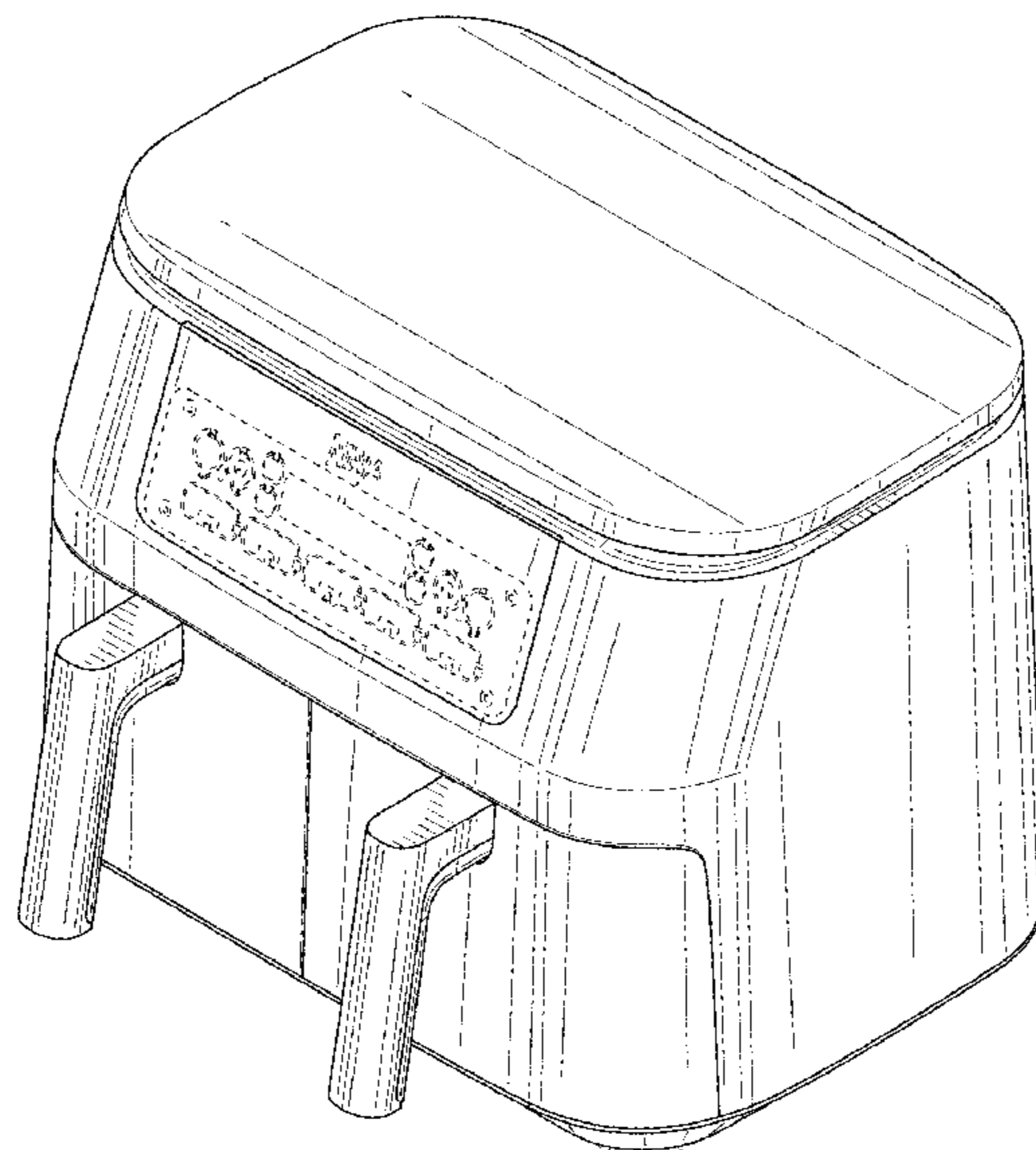
FIG. 1 is a perspective view of a food preparation device, showing my new design in a first embodiment;
FIG. 2 is a front view of the embodiment shown in FIG. 1;
FIG. 3 is a rear view of the embodiment shown in FIG. 1;
FIG. 4 is a side view of the embodiment shown in FIG. 1;
FIG. 5 is another side view of the embodiment shown in FIG. 1;
FIG. 6 is a top view of the embodiment shown in FIG. 1; and,
FIG. 7 is a bottom view of the embodiment shown in FIG. 1.
The broken lines in the drawings are for environmental purposes only and form no part of the claimed design.

(56) **References Cited**

U.S. PATENT DOCUMENTS

D719,397 S * 12/2014 Krooshof A47J 37/0641
D7/354
D836,381 S * 12/2018 Moon D7/354
D848,199 S * 5/2019 Kowalewski D7/354
D871,827 S * 1/2020 Moon D7/354

1 Claim, 7 Drawing Sheets



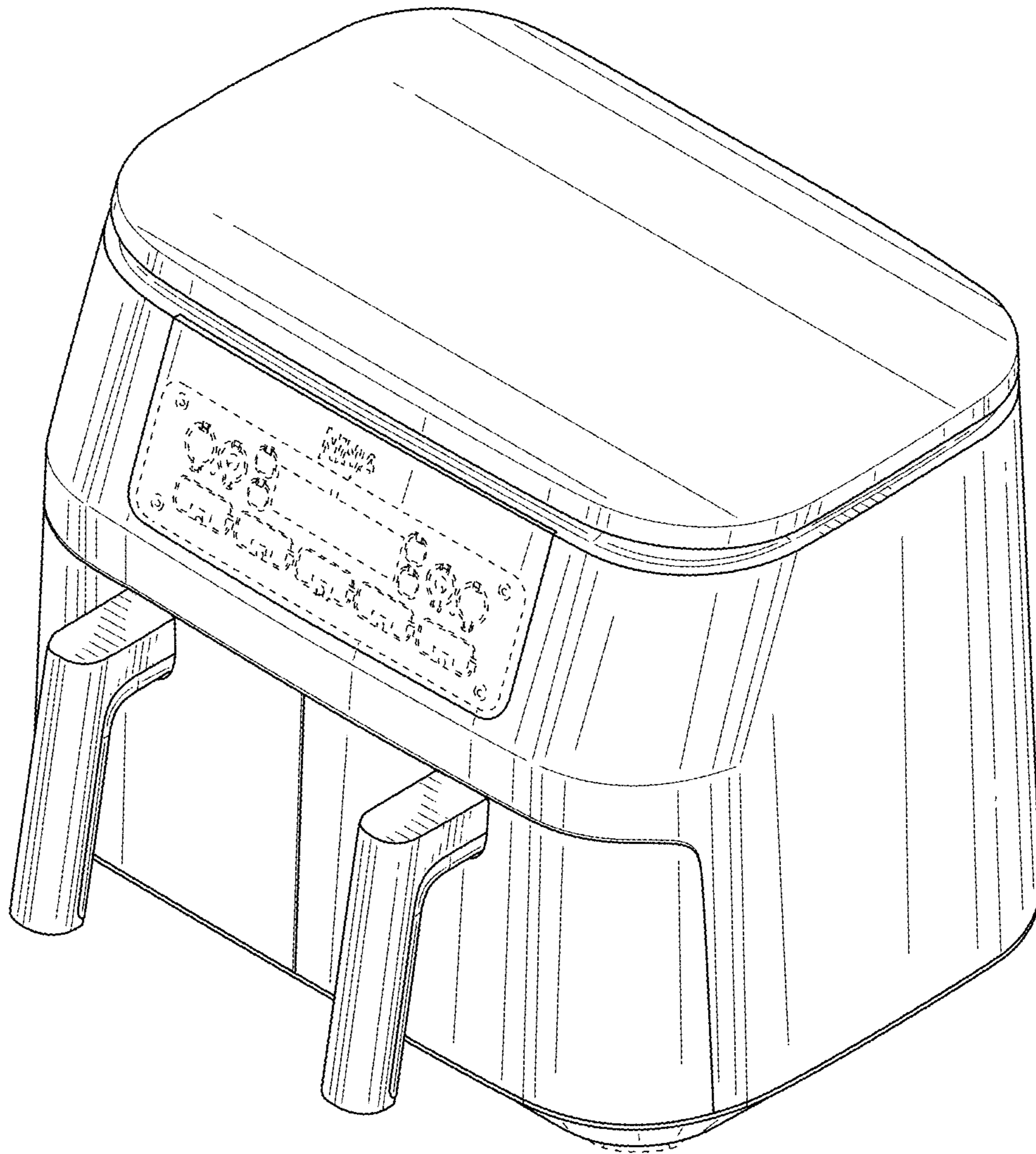


FIG. 1

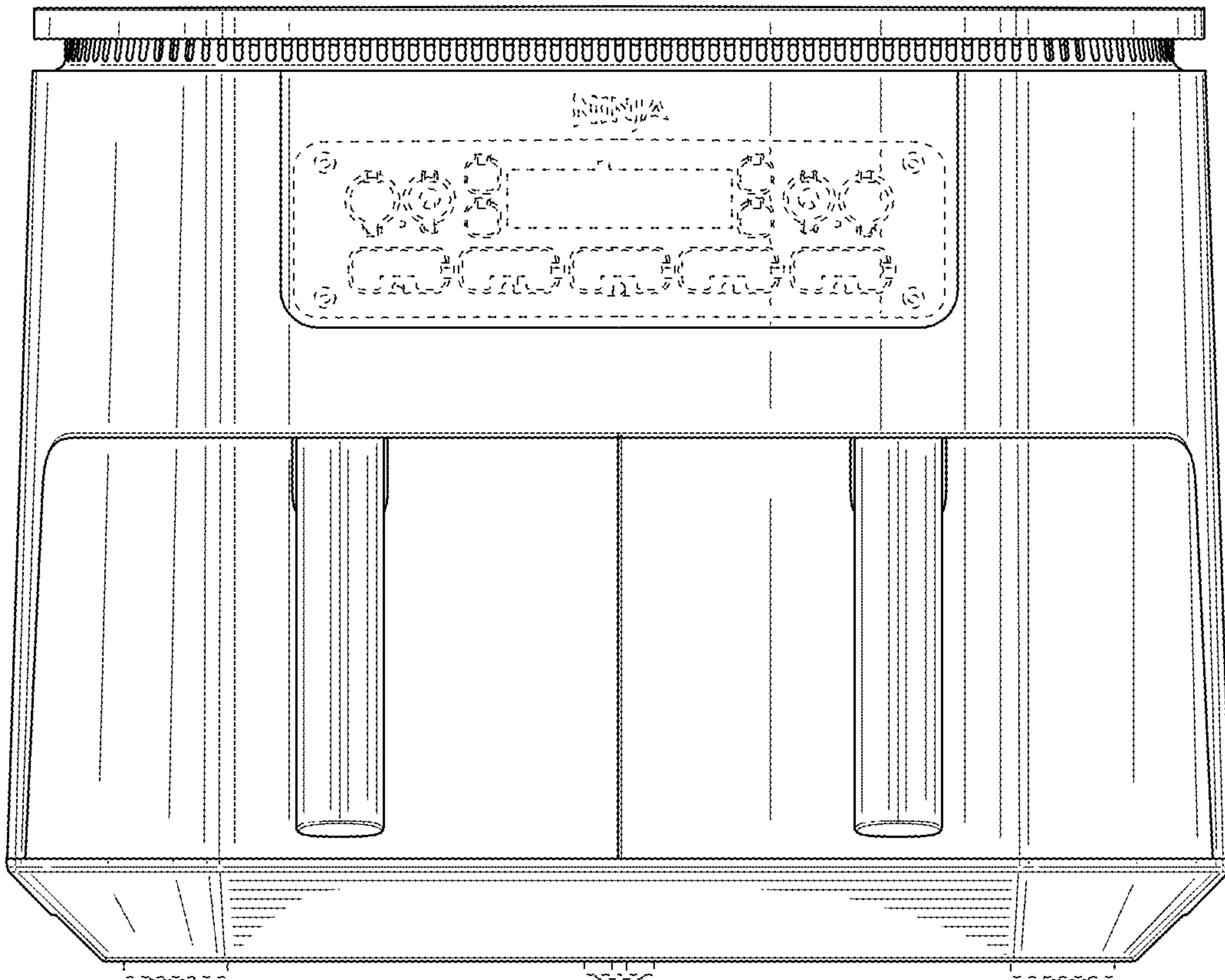


FIG. 2

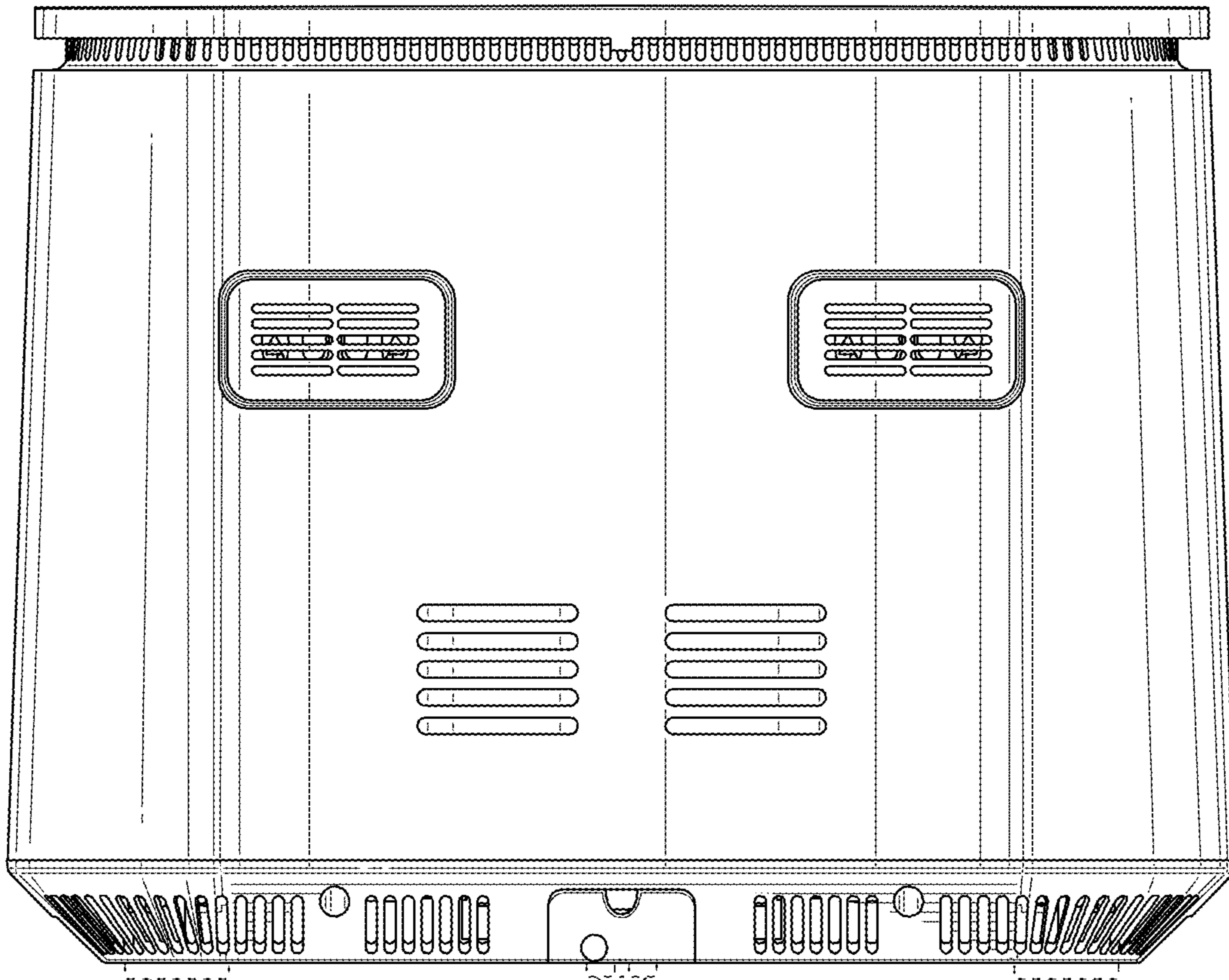


FIG. 3

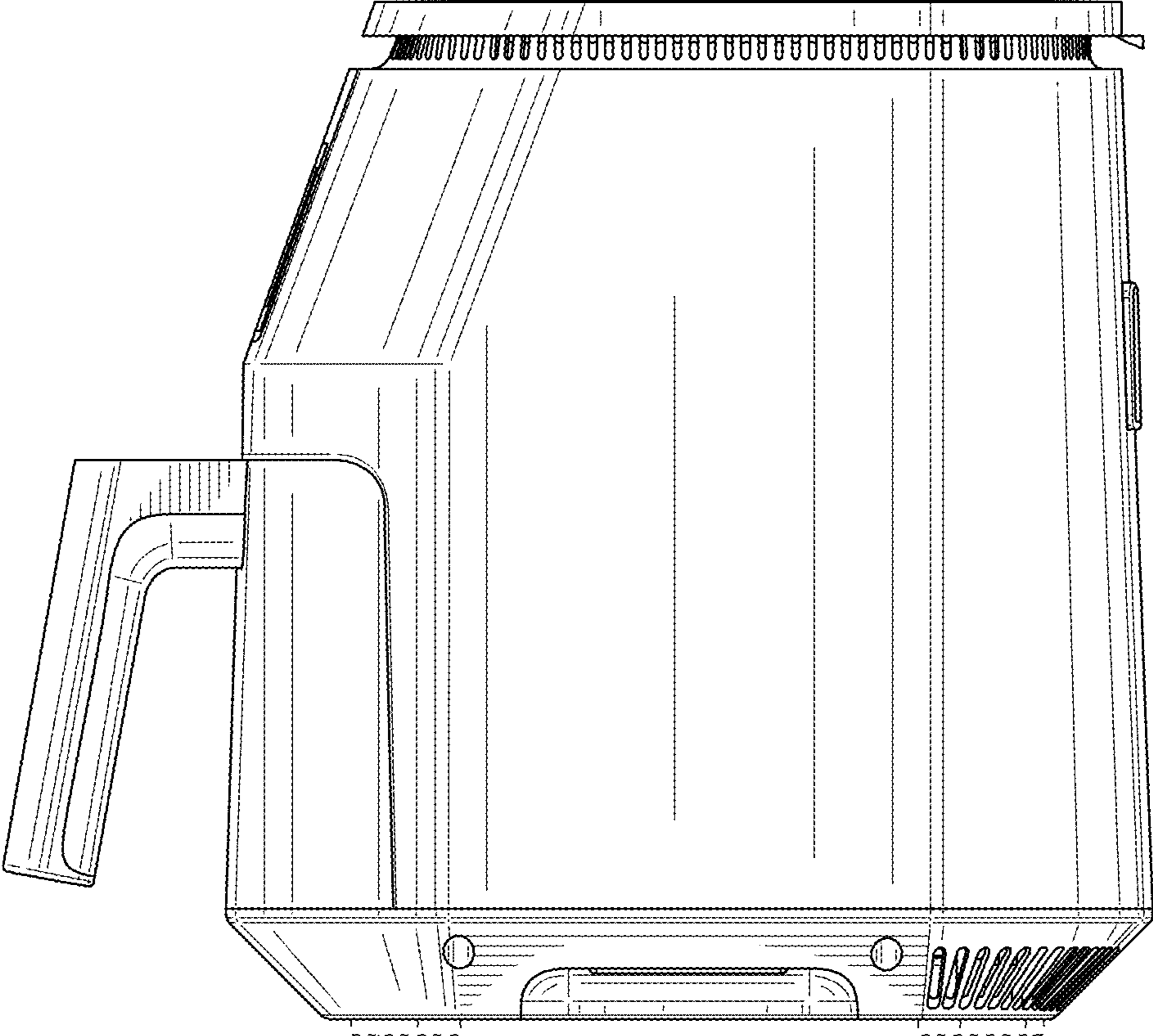


FIG. 4

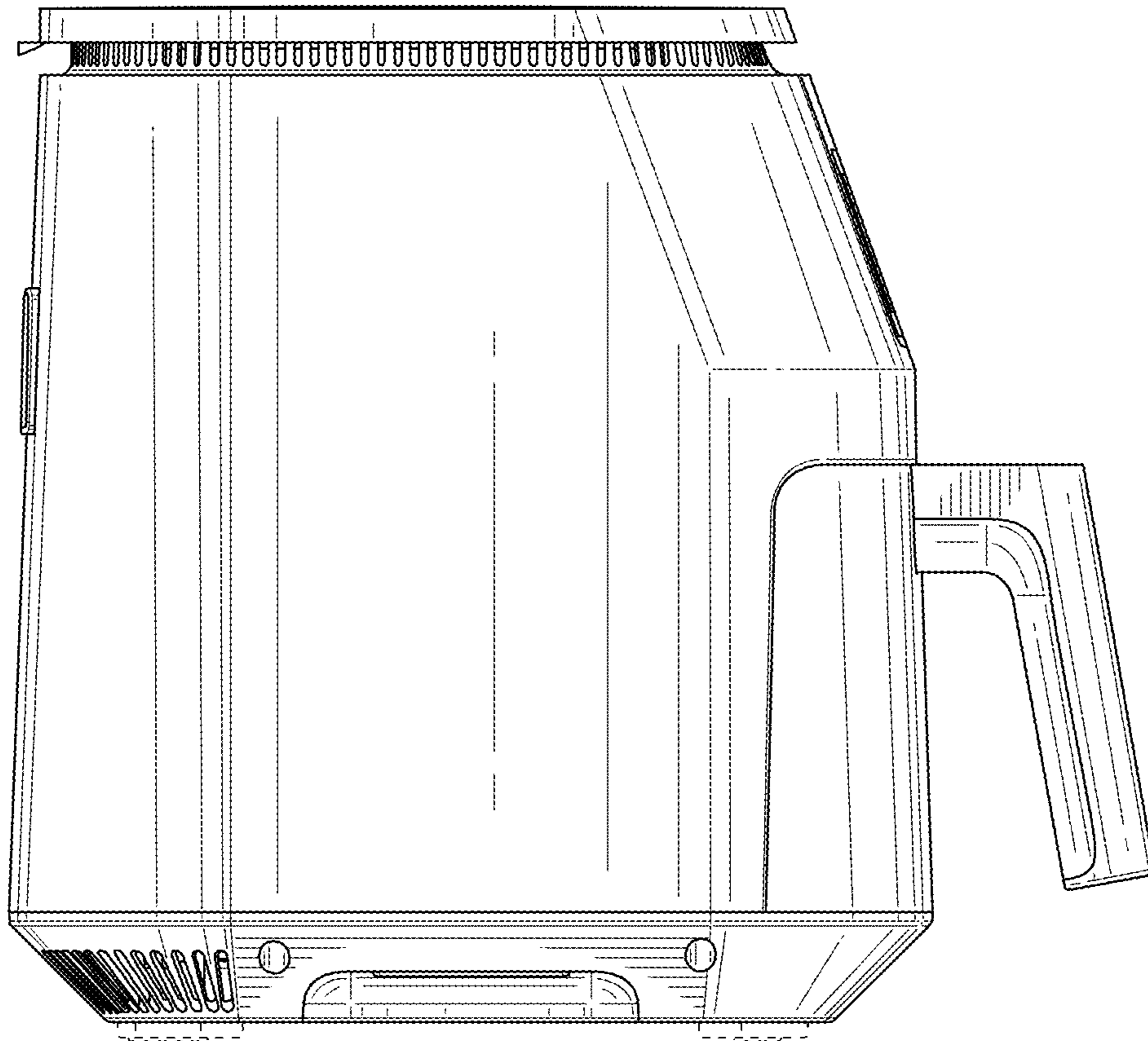


FIG. 5

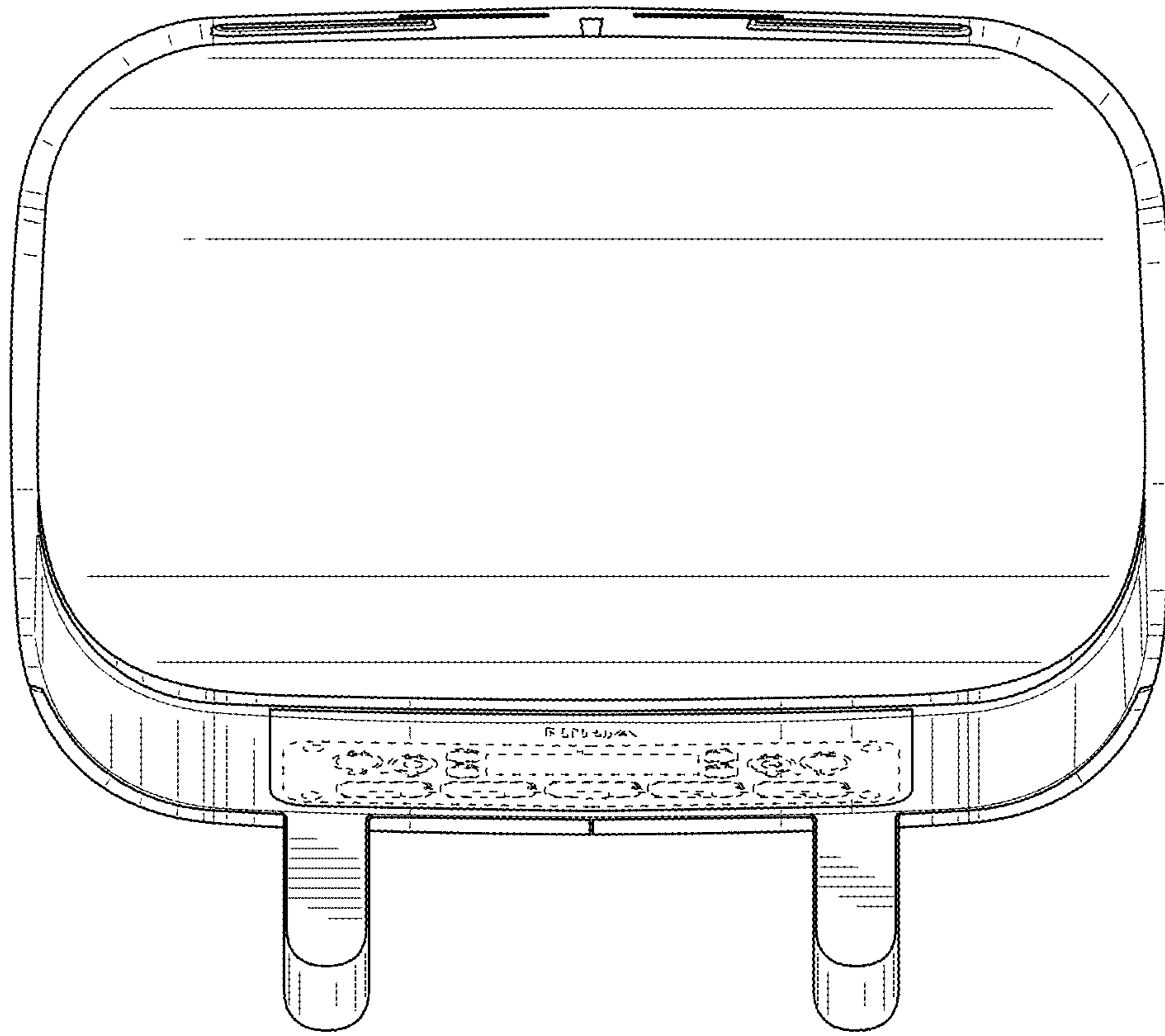


FIG. 6

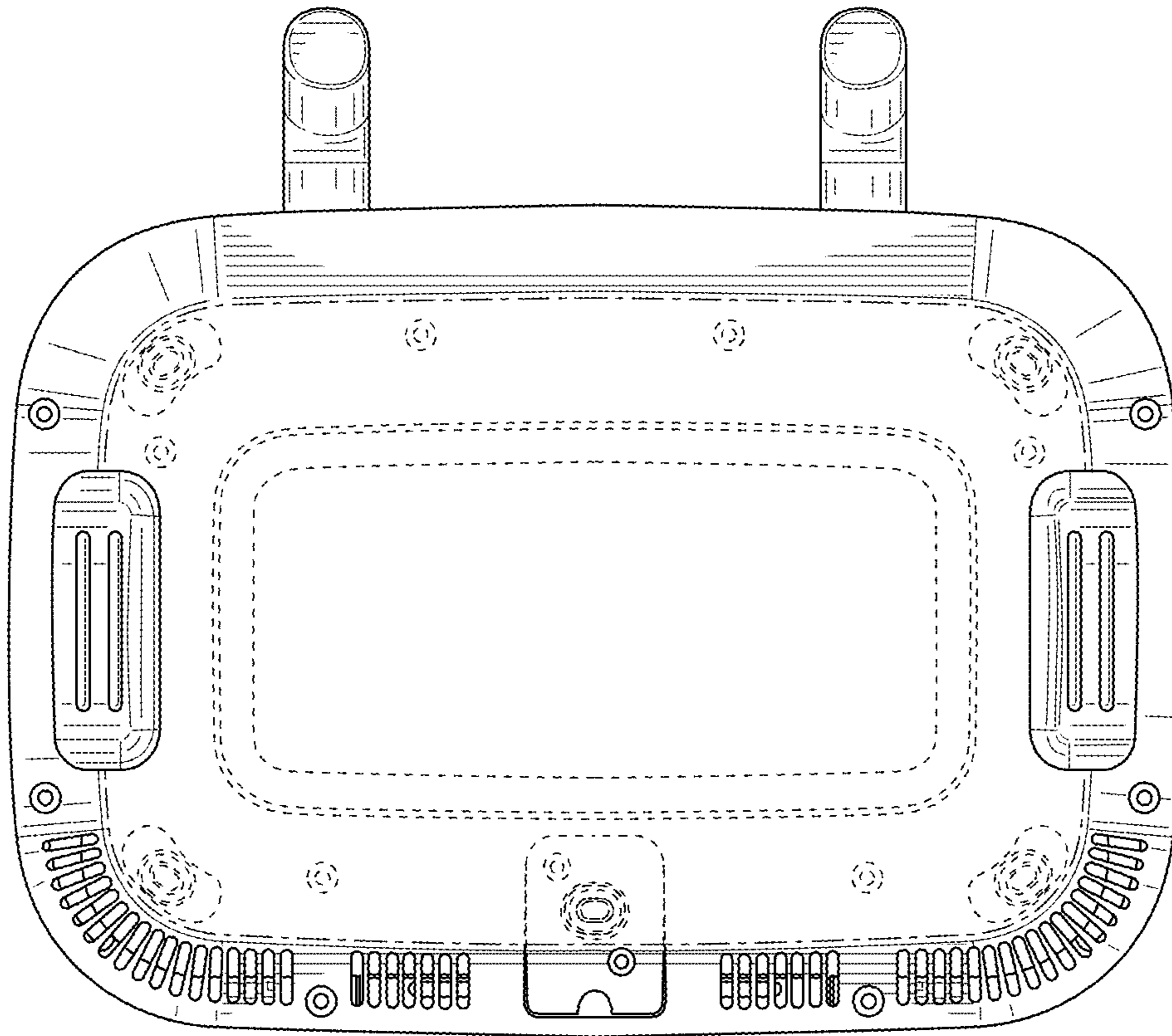


FIG. 7