



US00D938217S

(12) **United States Design Patent**
Luo

(10) **Patent No.:** **US D938,217 S**

(45) **Date of Patent:** **** Dec. 14, 2021**

(54) **MULTI-FUNCTIONAL COOKING POT**

(71) Applicant: **Ningbo Lemeijia Electric Equipment Technology Co., Ltd, Cixi (CN)**

(72) Inventor: **Qifeng Luo, Cixi (CN)**

(**) Term: **15 Years**

(21) Appl. No.: **29/736,134**

(22) Filed: **May 28, 2020**

(30) **Foreign Application Priority Data**

Apr. 8, 2020 (CN) 202030132552.4

(51) **LOC (13) Cl.** **07-02**

(52) **U.S. Cl.**
USPC **D7/354; D7/358**

(58) **Field of Classification Search**
USPC D7/323, 354-361, 368, 391, 393
CPC A47J 27/00; A47J 27/004; A47J 27/08;
A47J 27/0802; A47J 27/0804; A47J
27/0811; A47J 27/0813; A47J 27/0815;
A47J 27/0817; A47J 27/084; A47J 27/09;
A47J 27/092; A47J 36/025; A47J 36/06;
A47J 37/12; A47J 37/1204; A47J
37/1209; A47J 43/0465; A47J 45/07;
A47J 45/071; A47J 45/074; A47J 45/08;
B01D 2201/345; B01J 3/03; B01J 3/04;
F01P 2011/0247; F01P 2011/0252; H05B
6/00; H05B 6/02; H05B 6/06
See application file for complete search history.

(56) **References Cited**

U.S. PATENT DOCUMENTS

D370,381 S * 6/1996 Roussard D7/358
D549,517 S * 8/2007 Moran D7/358

D641,203 S * 7/2011 Josancy D7/358
D711,182 S * 8/2014 Roussard D7/358
D728,301 S * 5/2015 Hack D7/368
D846,335 S * 4/2019 Yang D7/358
D846,336 S * 4/2019 Hoenderdos D7/358
D861,411 S * 10/2019 Huang D7/358
D861,412 S * 10/2019 Yang D7/358
D883,014 S * 5/2020 Varjabedian D7/354
2007/0028781 A1 * 2/2007 Popeil A47J 37/1209
99/407
2018/0279832 A1 * 10/2018 Ohta A47J 43/0465

* cited by examiner

Primary Examiner — Ricky Pham

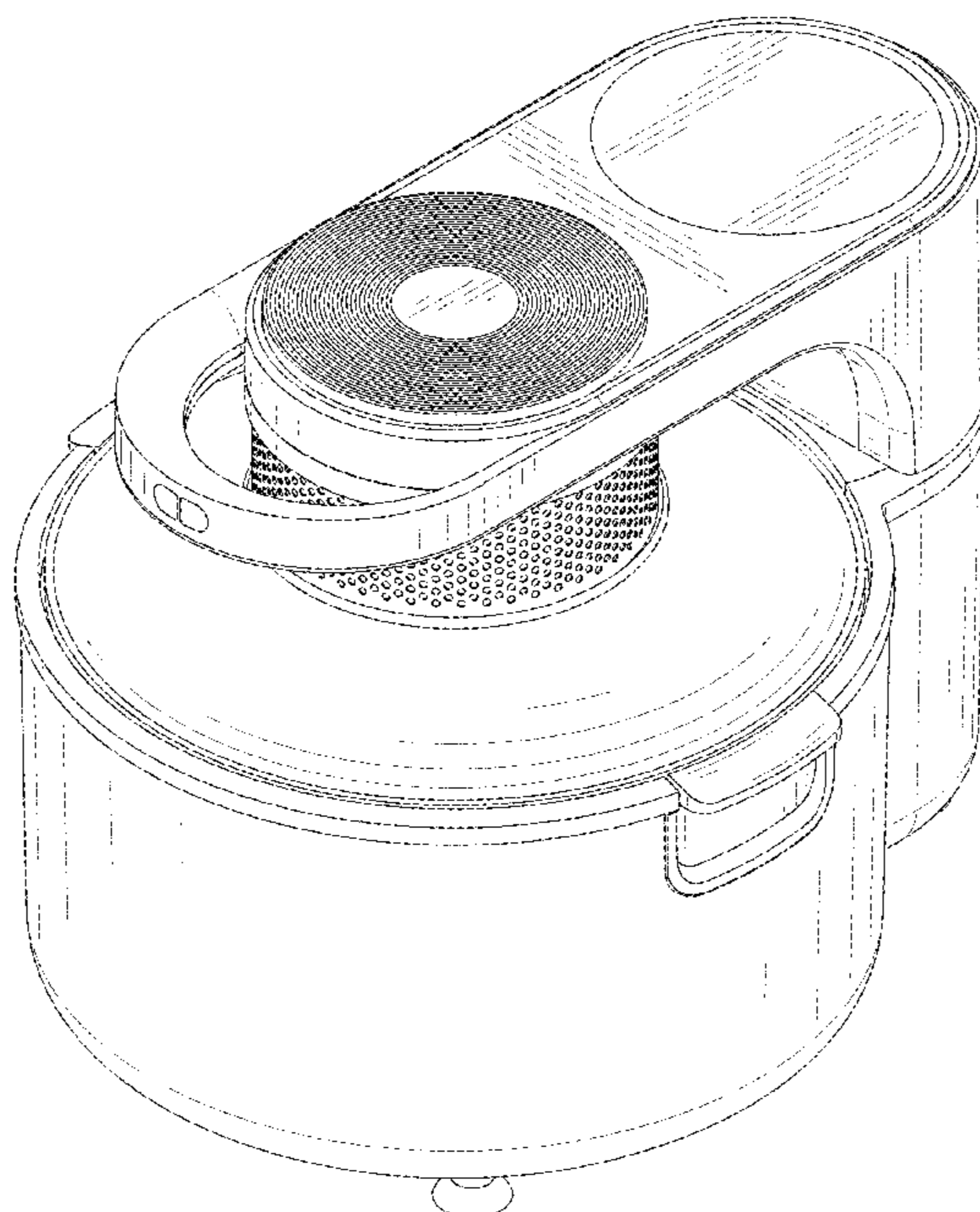
(57) **CLAIM**

The ornamental design for a multi-functional cooking pot, as shown and described.

DESCRIPTION

FIG. 1 is a perspective view of a multi-functional cooking pot showing my new design;
FIG. 2 is a front view thereof;
FIG. 3 is a back view thereof;
FIG. 4 is a left side view thereof;
FIG. 5 is a right side view thereof;
FIG. 6 is a top view thereof; and,
FIG. 7 is a bottom view thereof.
The broken lines shown in the drawings depict portions of the multi-functional cooking pot that form no part of the claimed design.

1 Claim, 7 Drawing Sheets



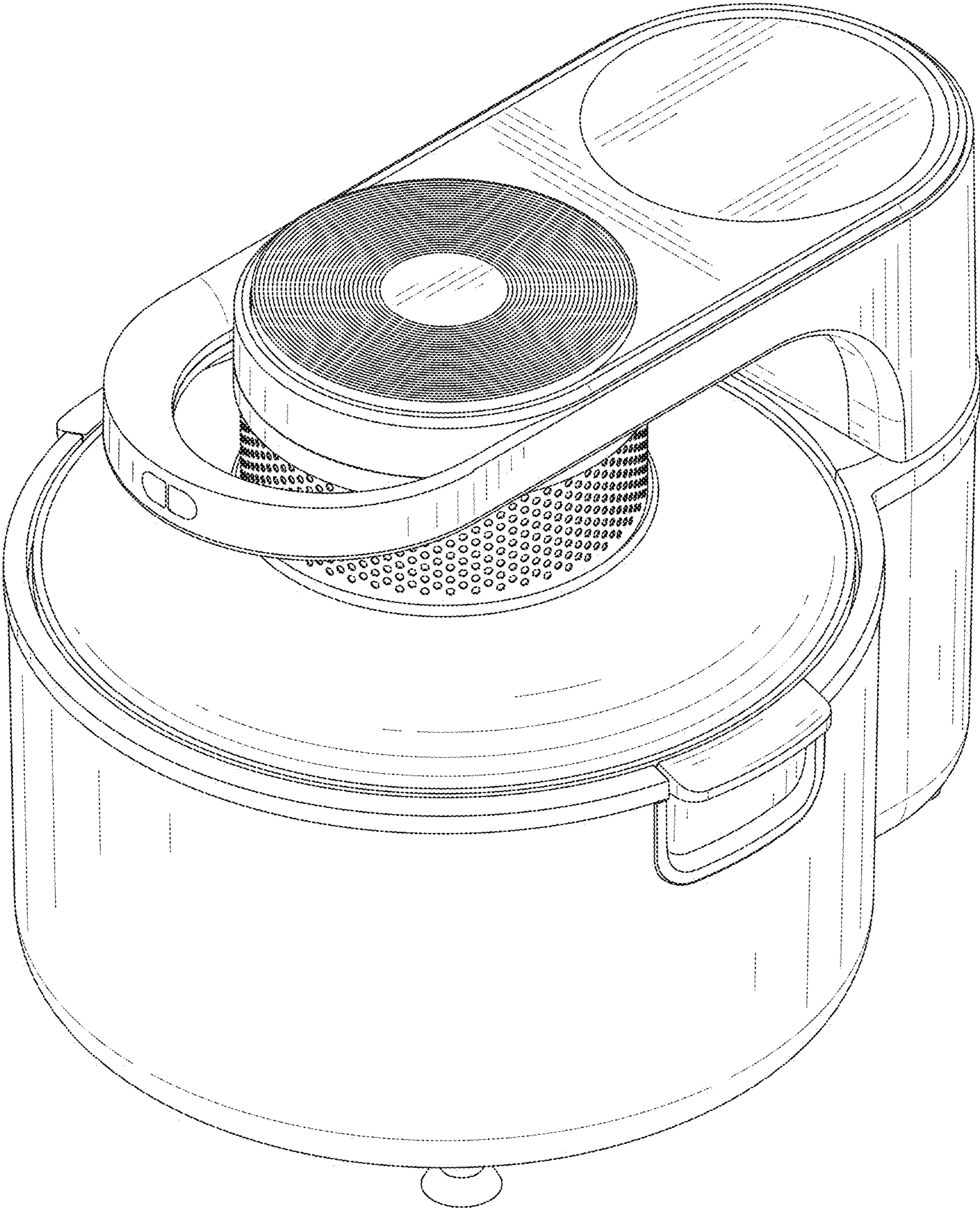


FIG. 1

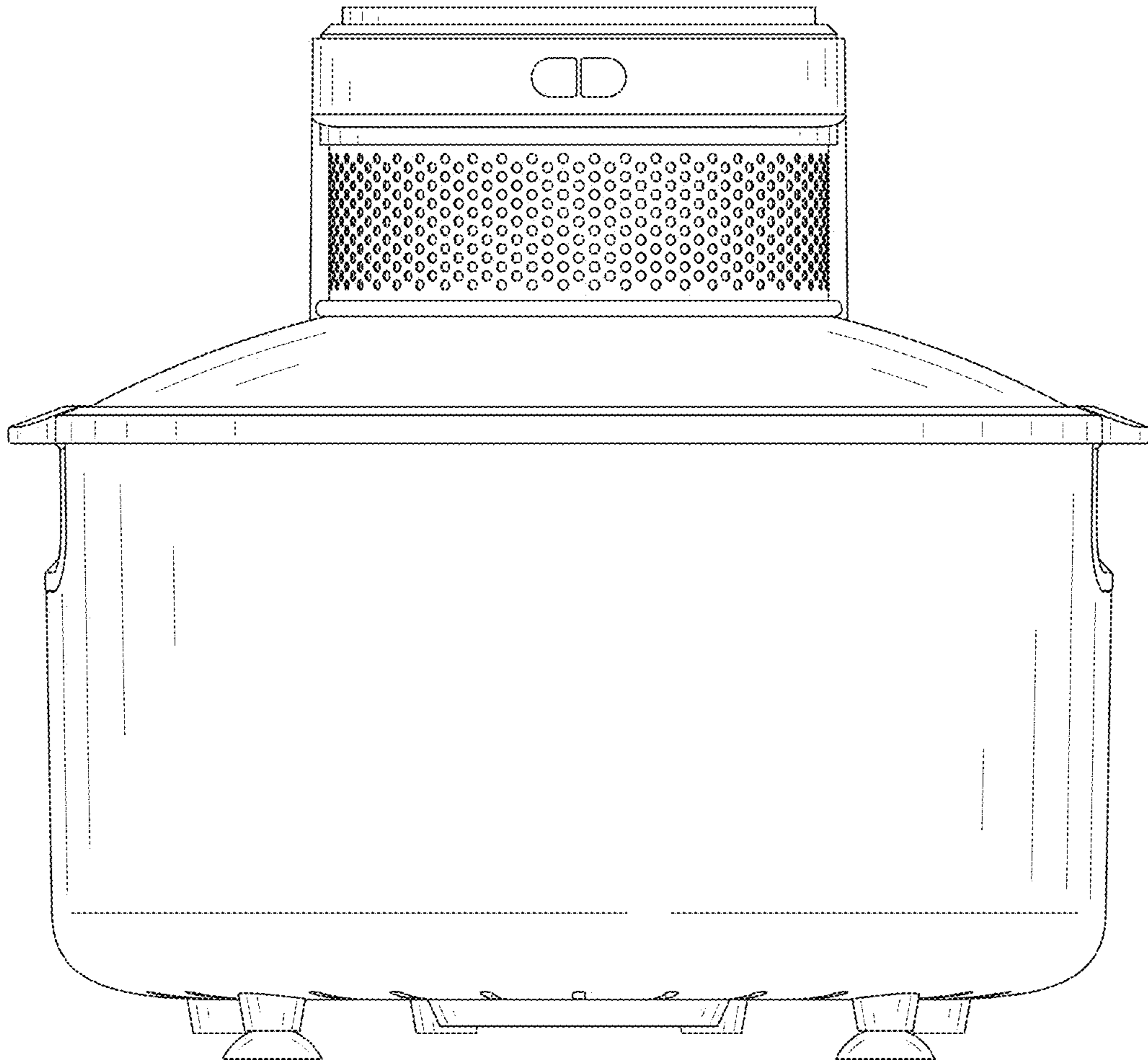


FIG. 2

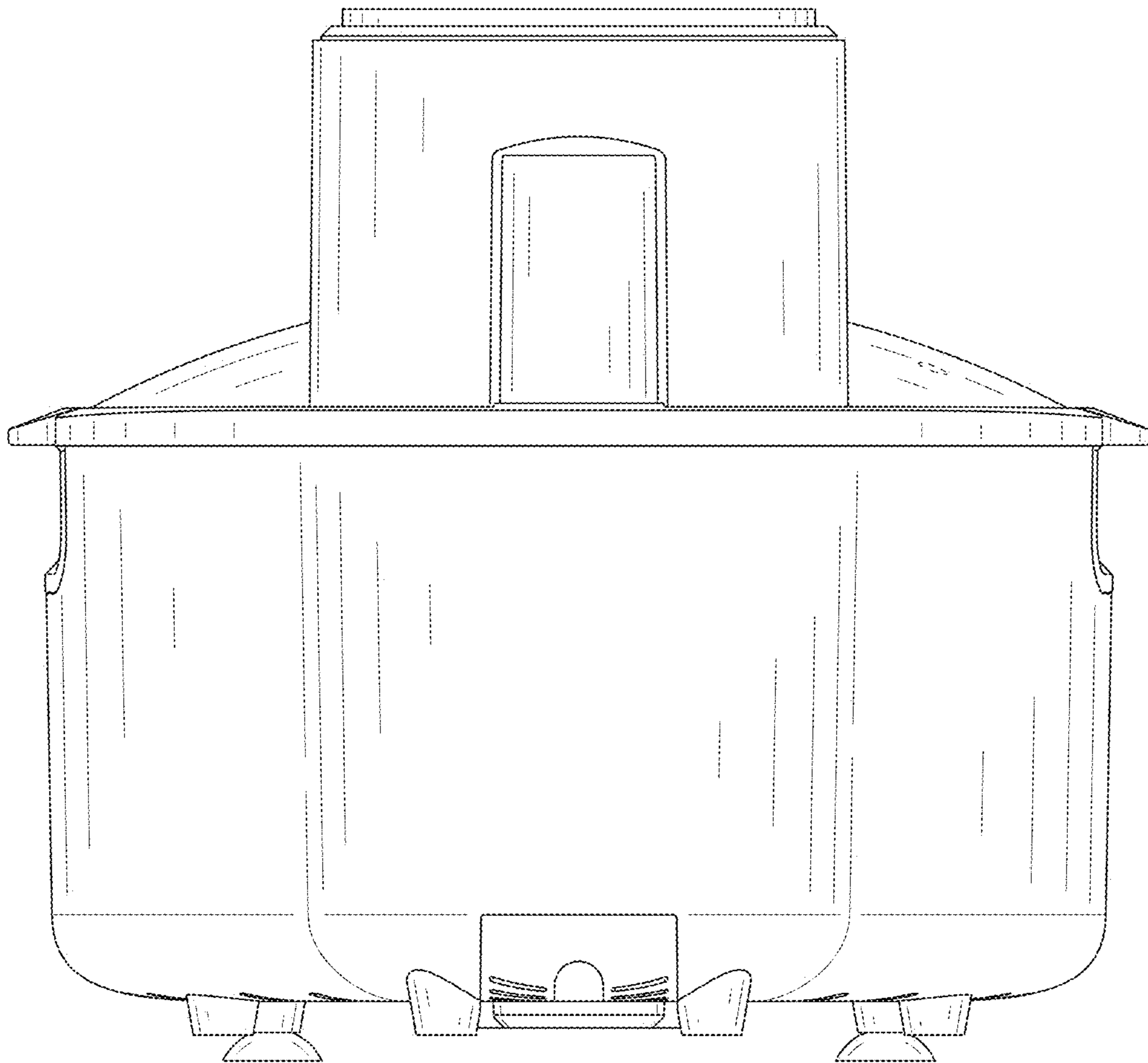


FIG. 3

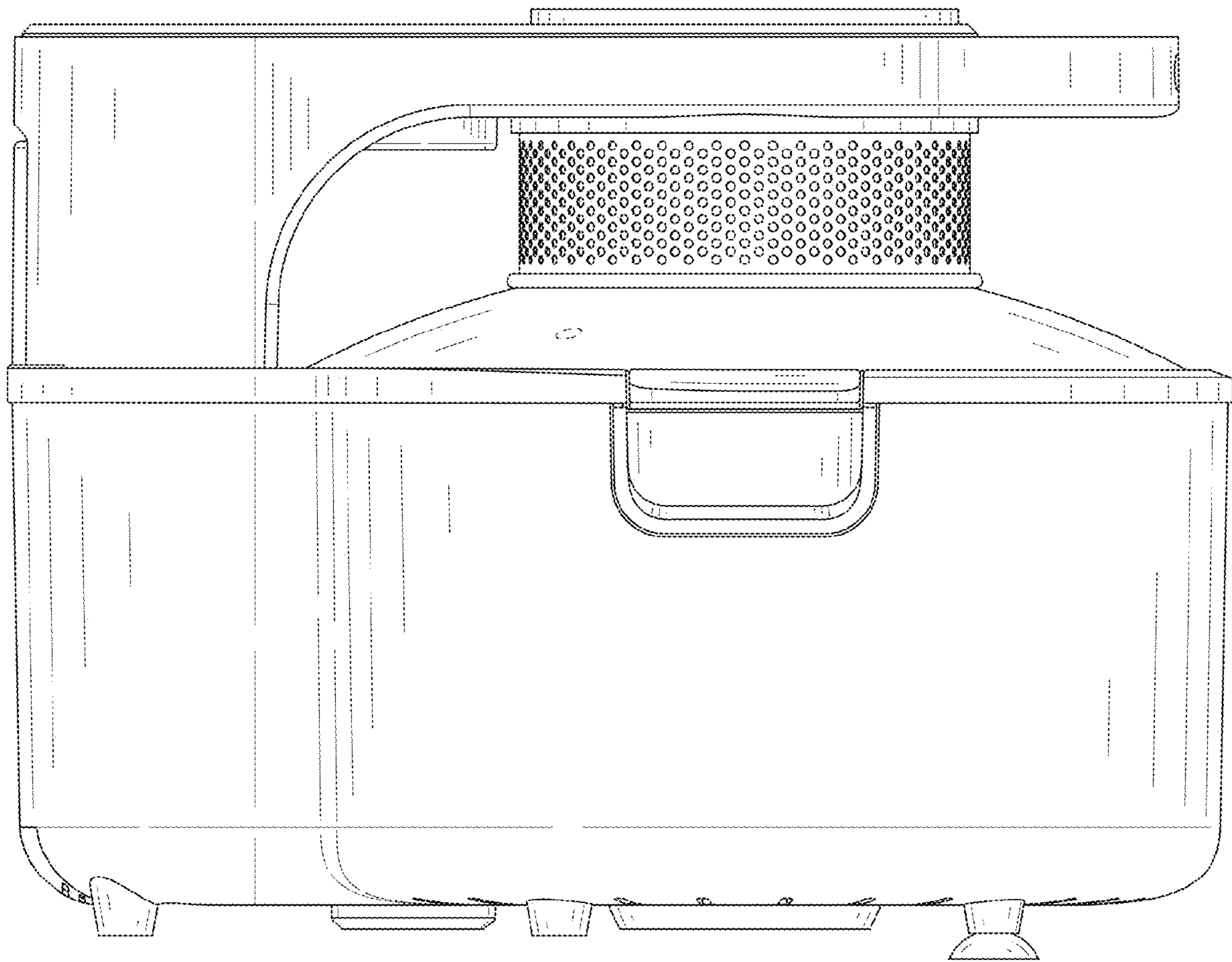


FIG. 4

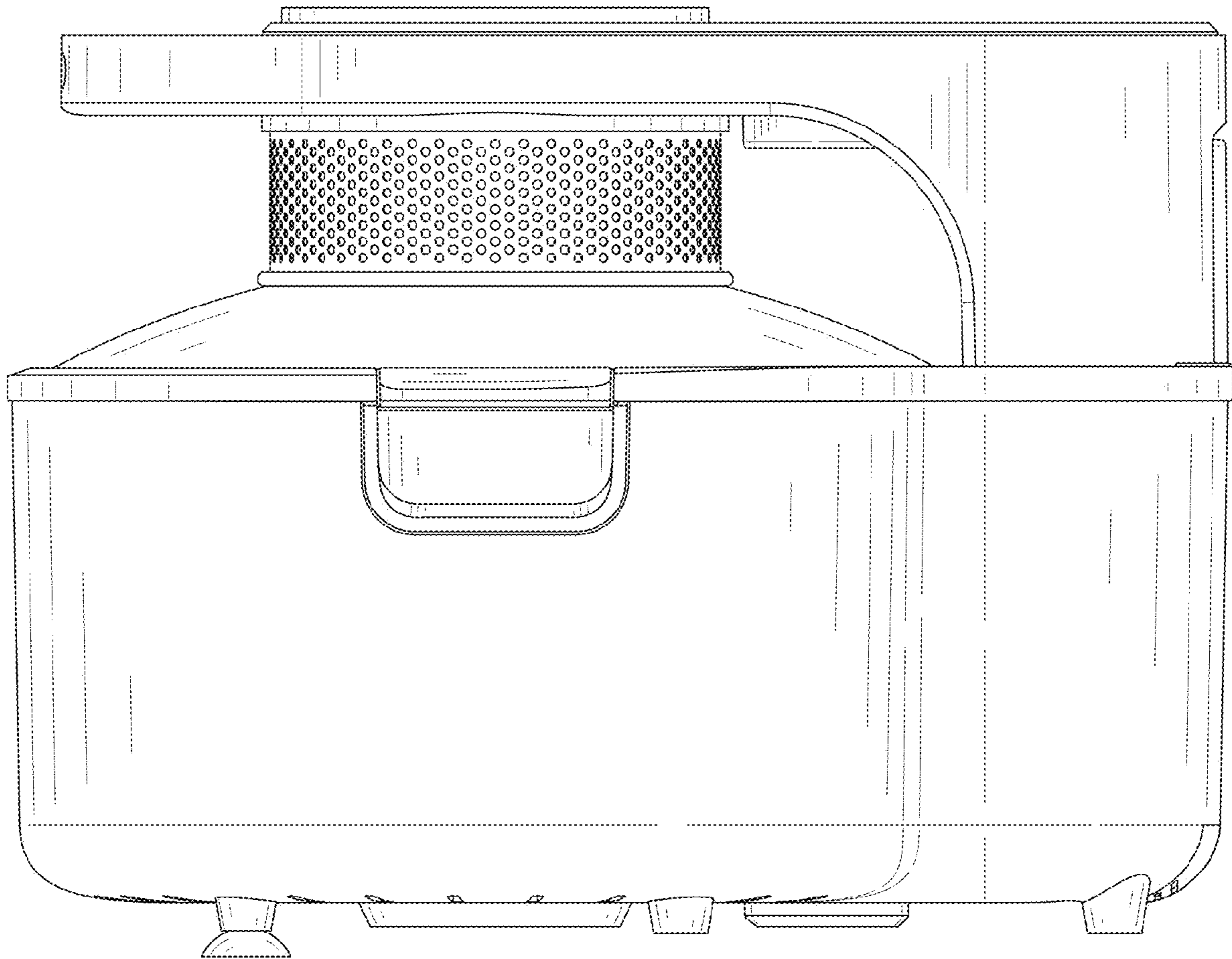


FIG. 5

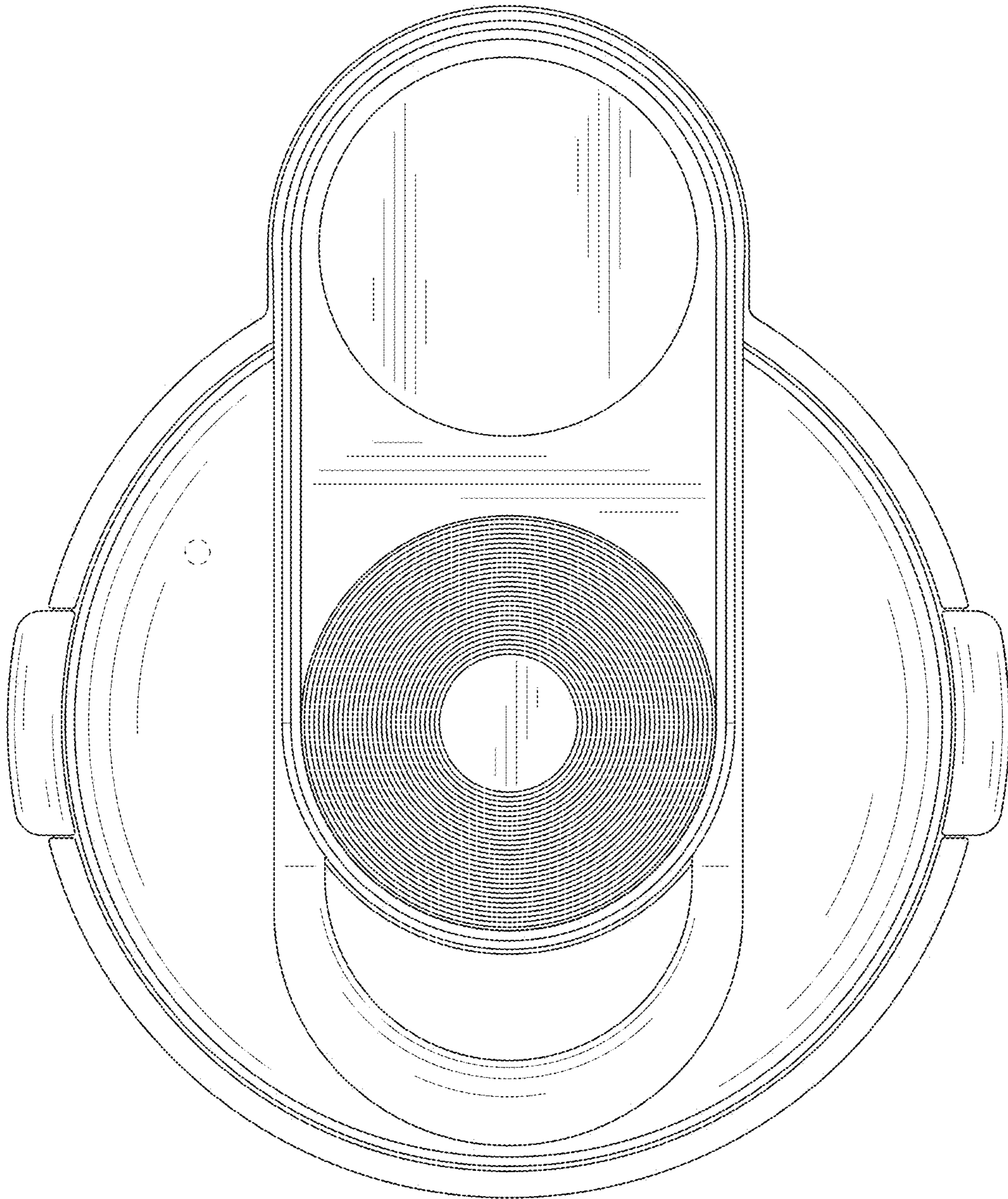


FIG. 6

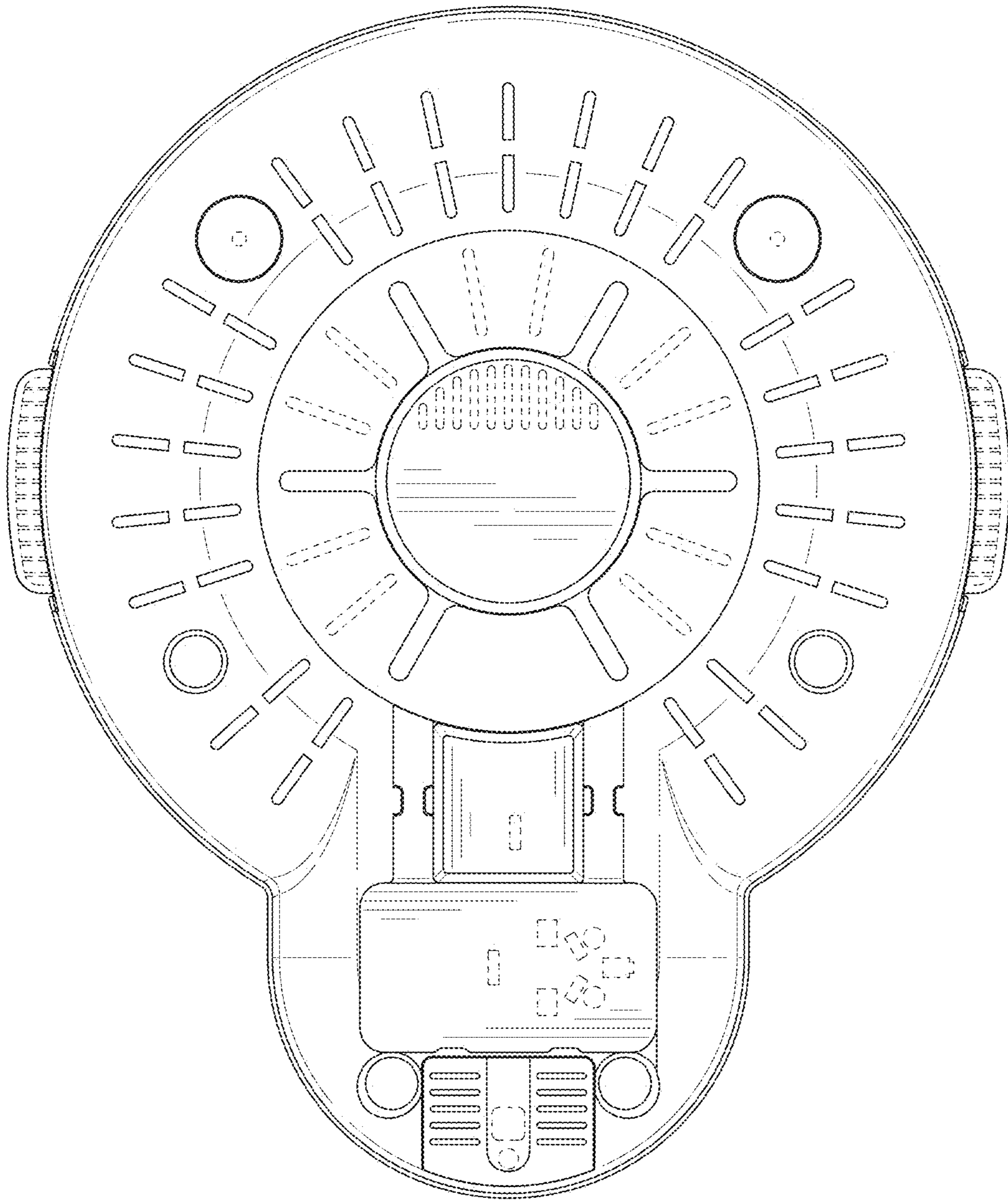


FIG. 7