



US00D938216S

(12) **United States Design Patent** (10) **Patent No.:** **US D938,216 S**
Carbone et al. (45) **Date of Patent:** **** Dec. 14, 2021**

(54) **COOKING APPLIANCE**

37/0892; A47J 2037/06; A47J 2037/0611;
F24C 15/10; F24C 15/101; F24C 15/102;
F24C 15/105; H05B 6/02; H05B 6/062

(71) Applicant: **Revolution Cooking, LLC**, Potomac,
MD (US)

See application file for complete search history.

(72) Inventors: **Philip C. Carbone**, North Reading,
MA (US); **Shannon Galvin**, Chevy
Chase, MD (US); **Benjamin Hines**,
Cranston, RI (US); **Steffen F. Koury**,
Nahant, MA (US); **Paul K. Metaxatos**,
Swampscott, MA (US); **Richard
Simmers**, Boxford, MA (US)

(56) **References Cited**

U.S. PATENT DOCUMENTS

2,747,072 A	5/1956	Lawser	
2,847,931 A	8/1958	Saint	
4,745,855 A	5/1988	Younger	
D304,147 S	10/1989	Takada et al.	
D383,352 S *	9/1997	Powel	D7/330
D413,040 S	8/1999	Lawrence et al.	
D425,749 S	5/2000	Homayoun et al.	
6,116,149 A	9/2000	Benedictus et al.	

(Continued)

(73) Assignee: **Revolution Cooking, LLC**, Potomac,
MD (US)

Primary Examiner — Ricky Pham

(**) Term: **15 Years**

(74) *Attorney, Agent, or Firm* — Wolf, Greenfield &
Sacks, P.C.

(21) Appl. No.: **29/802,150**

(22) Filed: **Aug. 3, 2021**

Related U.S. Application Data

(57) **CLAIM**

(60) Continuation of application No. 29/762,422, filed on
Dec. 16, 2020, now Pat. No. Des. 929,786, which is
a division of application No. 29/680,502, filed on Feb.
15, 2019, now Pat. No. Des. 907,949.

The ornamental design for a cooking appliance, as shown
and described.

(51) **LOC (13) Cl.** **07-02**

(52) **U.S. Cl.**
USPC **D7/330**

DESCRIPTION

(58) **Field of Classification Search**

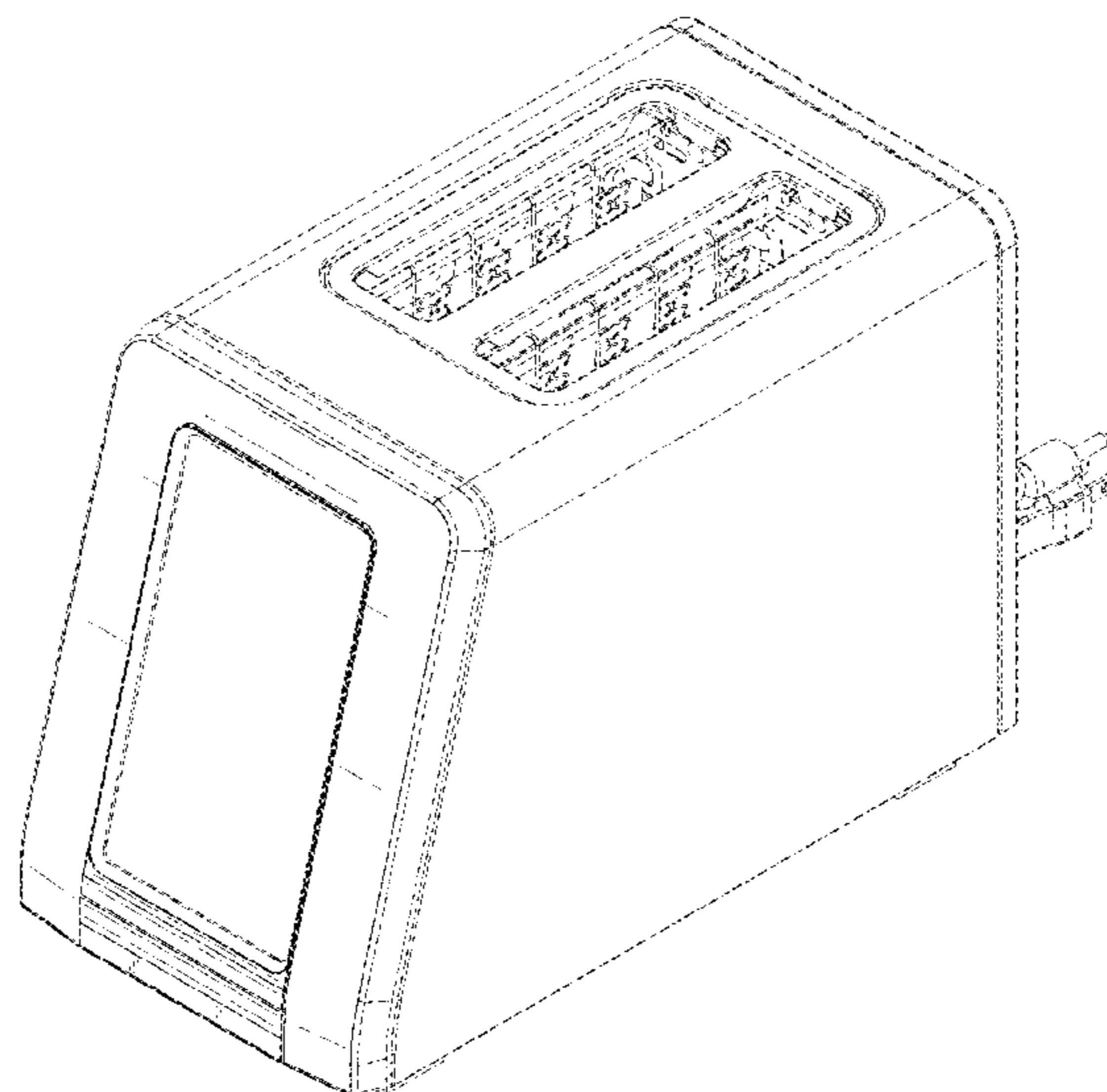
USPC D7/323, 328–330, 337, 347, 348, 350.4,
D7/352–364, 367, 390, 402, 409–411
CPC .. A21B 2/00; A21B 5/023; A47J 27/60; A47J
27/62; A47J 37/00; A47J 37/04; A47J
37/06; A47J 37/067; A47J 37/0605; A47J
37/0611; A47J 37/0623; A47J 37/0629;
A47J 37/0676; A47J 37/08; A47J
37/0807; A47J 37/0814; A47J 37/0821;
A47J 37/0835; A47J 37/0842; A47J
37/085; A47J 37/0864; A47J 37/0871;
A47J 37/0878; A47J 37/0885; A47J

FIG. 1 is an upper, front, right perspective view of the
cooking appliance;
FIG. 2 is a front view thereof;
FIG. 3 is a left side view thereof;
FIG. 4 is a right side view thereof; and,
FIG. 5 is a top view thereof.

The cooking appliance can alternatively be referred to as an
appliance, a heating appliance, or a toaster. The cooking
appliance can be operated to cook a food product such as
bread. Cooking includes, but is not limited to, heating,
drying, and/or toasting.

The dashed lines in the drawings represent portions of the
cooking appliance that form no part of the claimed design.

1 Claim, 5 Drawing Sheets



(56)

References Cited

U.S. PATENT DOCUMENTS

D437,178	S *	2/2001	Tanaka	D7/350.4
D439,467	S *	3/2001	Hsu	D7/350.4
6,357,343	B1 *	3/2002	Tomsich	A47J 37/08 99/329 RT
6,415,709	B1	7/2002	Jackson	
D461,088	S *	8/2002	Cheah	D7/330
D461,089	S	8/2002	Cheah et al.	
6,429,407	B1	8/2002	Garber et al.	
6,476,360	B1	11/2002	Huggler et al.	
6,502,502	B1	1/2003	Sutton et al.	
6,530,309	B2 *	3/2003	Van Der Meer	A47J 37/0807 219/492
6,675,700	B2	1/2004	Hong	
D489,220	S	5/2004	Brady	
D489,565	S	5/2004	Averty	
D524,088	S	7/2006	Boyle et al.	
D528,348	S	9/2006	Averty	
7,351,939	B2	4/2008	Boyle et al.	
8,015,916	B2	9/2011	Pan	
D655,125	S *	3/2012	Turner	D7/328
D661,940	S	6/2012	Averty	
D704,496	S *	5/2014	Coppersmith	D7/330
D721,532	S	1/2015	Burrows	
9,408,497	B2 *	8/2016	Conti	A47J 37/08
D781,635	S *	3/2017	Koszylko	D7/348
D825,251	S	8/2018	Schrepfer	
10,238,237	B2 *	3/2019	Chen	A47J 37/0871
D907,949	S	1/2021	Carbone et al.	
D929,786	S *	9/2021	Carbone	D7/330
2006/0180033	A1 *	8/2006	Pan	A47J 37/0892 99/388

* cited by examiner

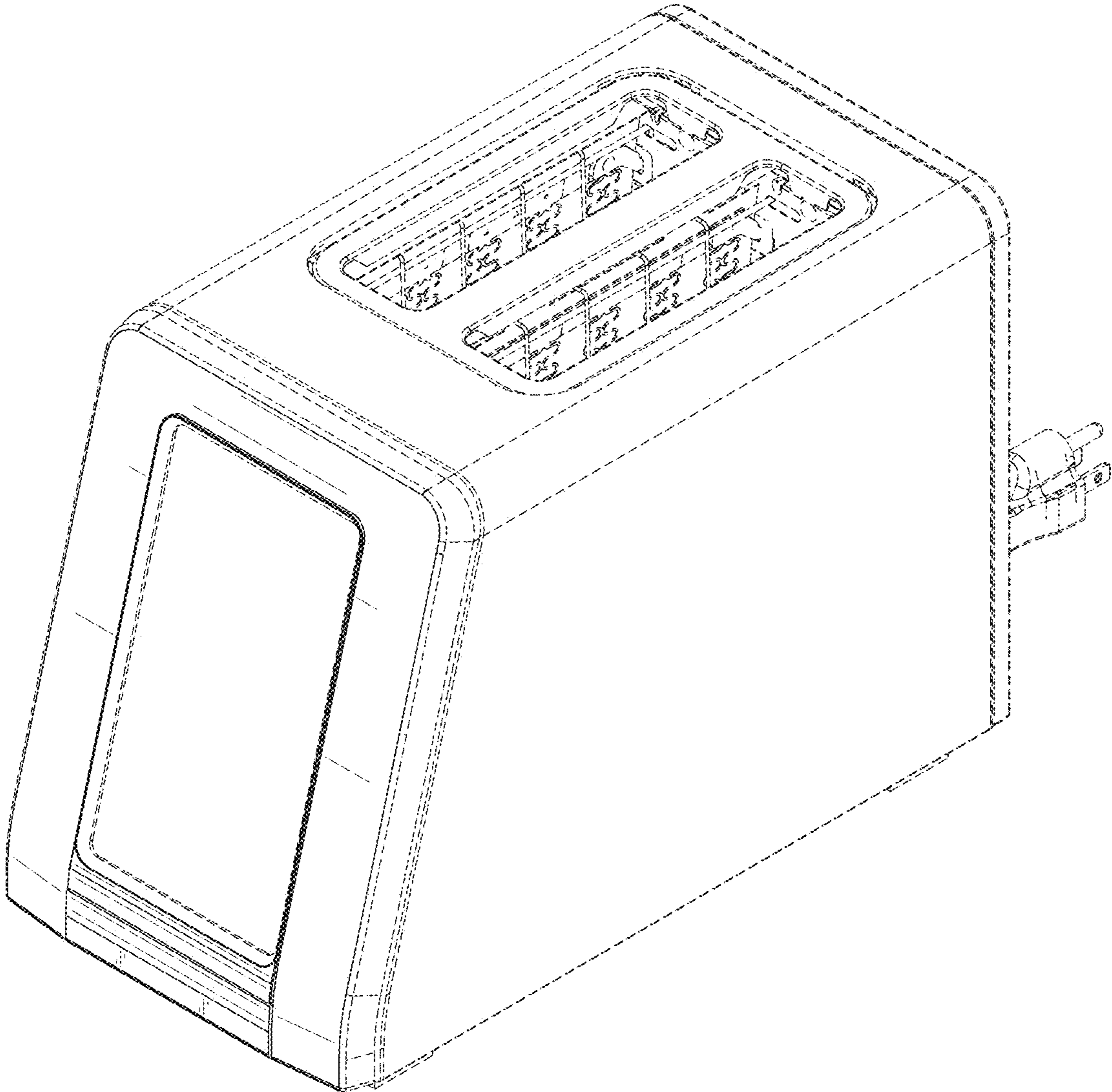


FIG. 1

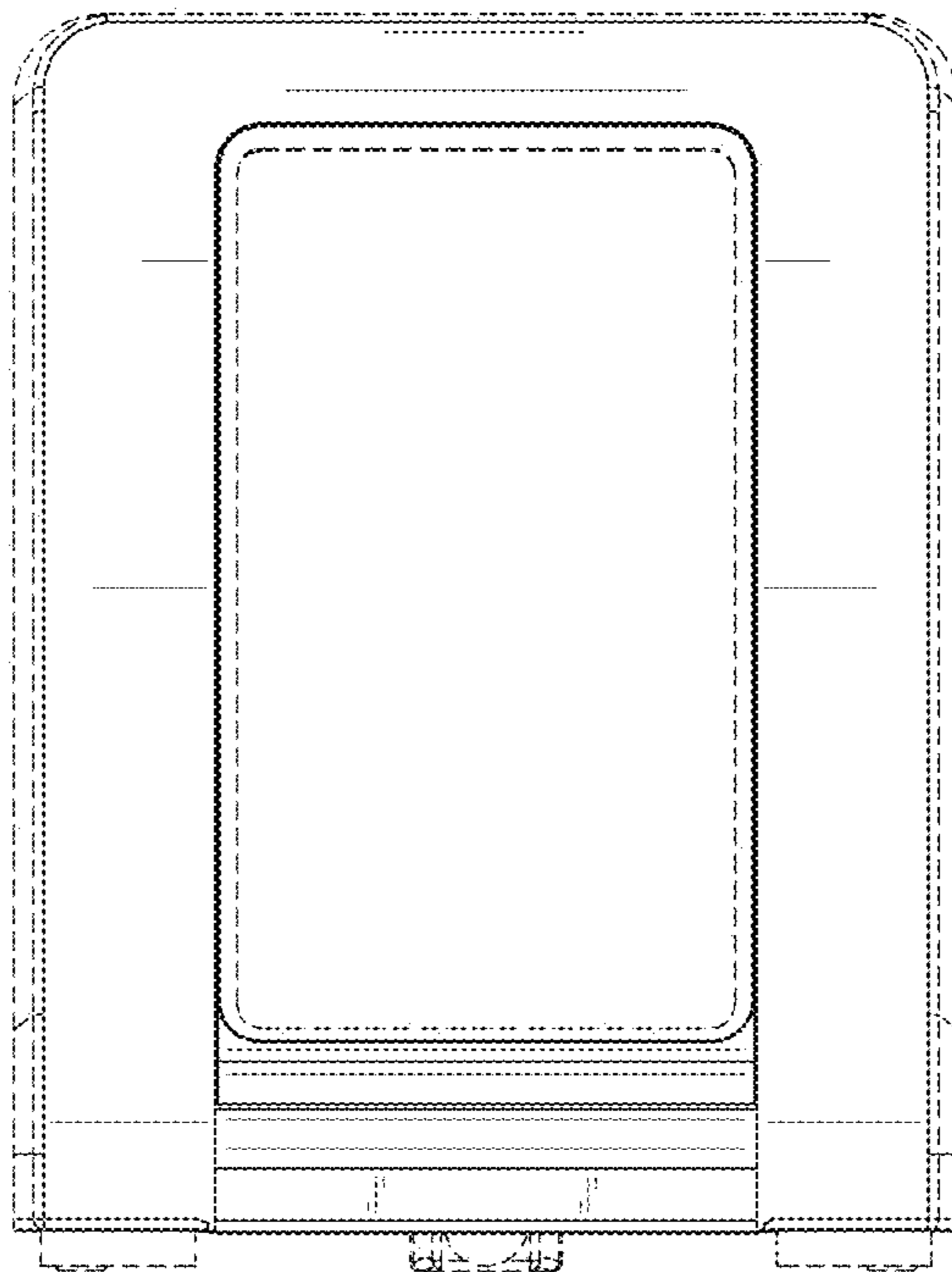


FIG. 2

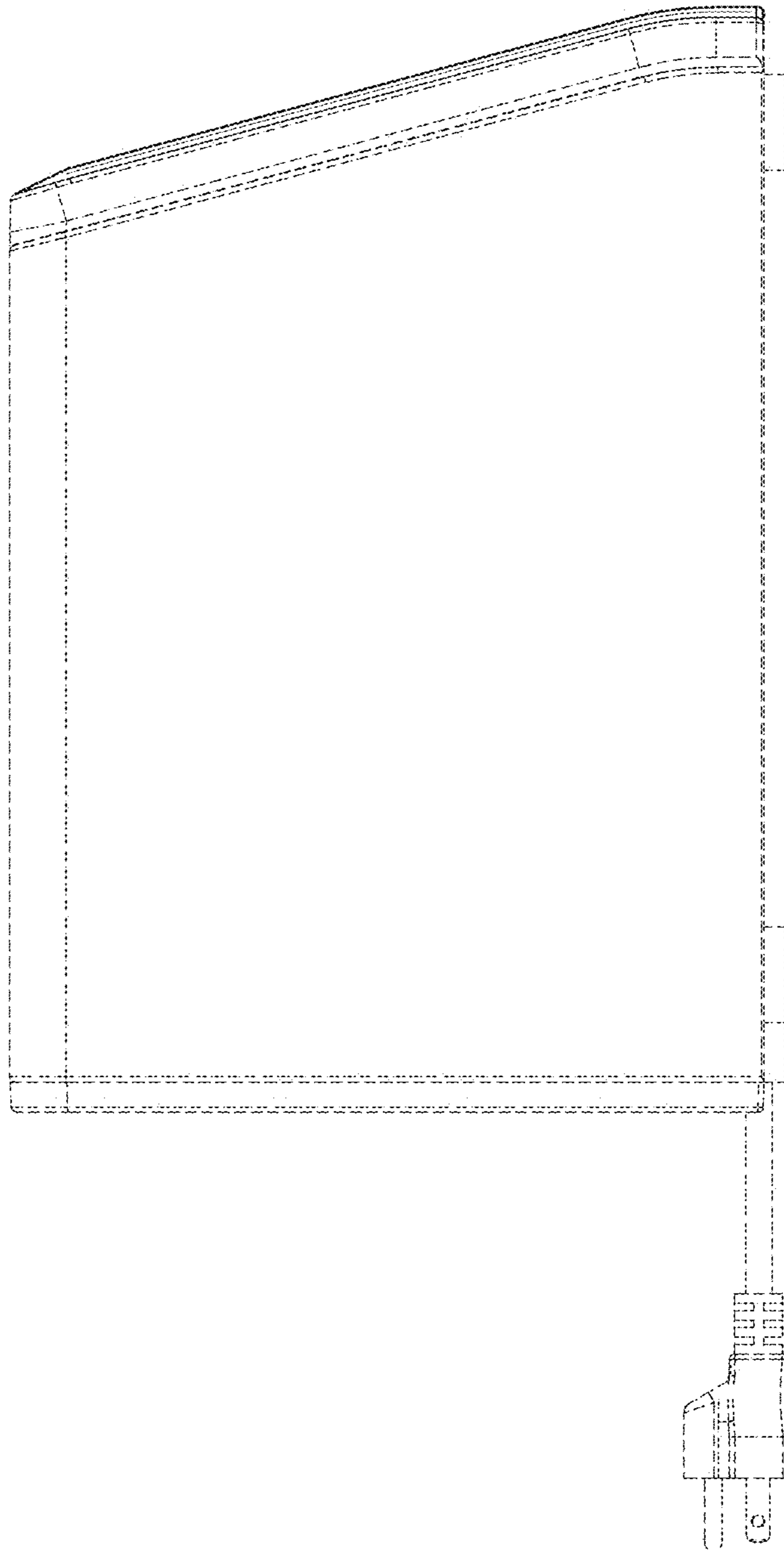


FIG. 3

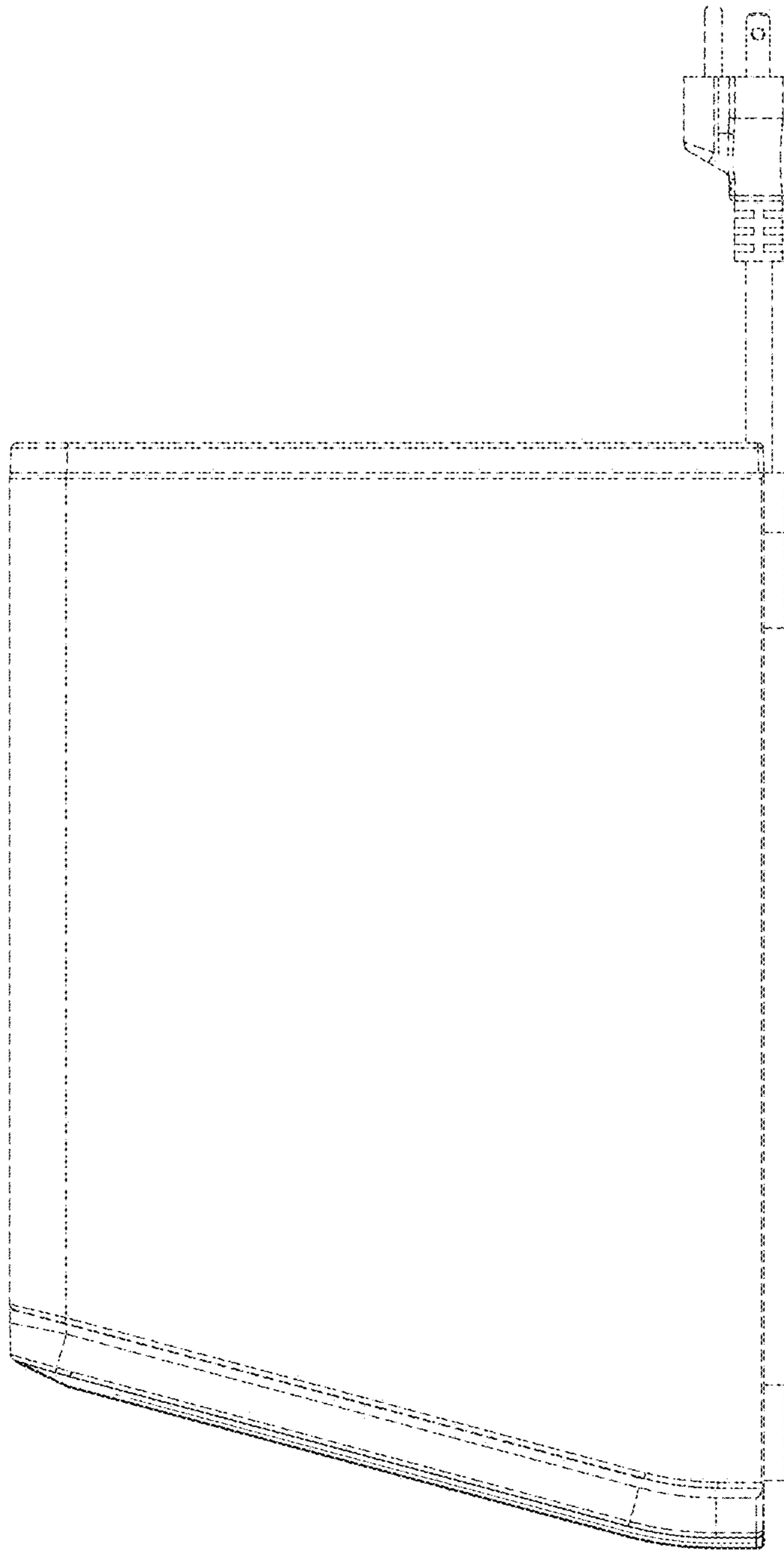


FIG. 4

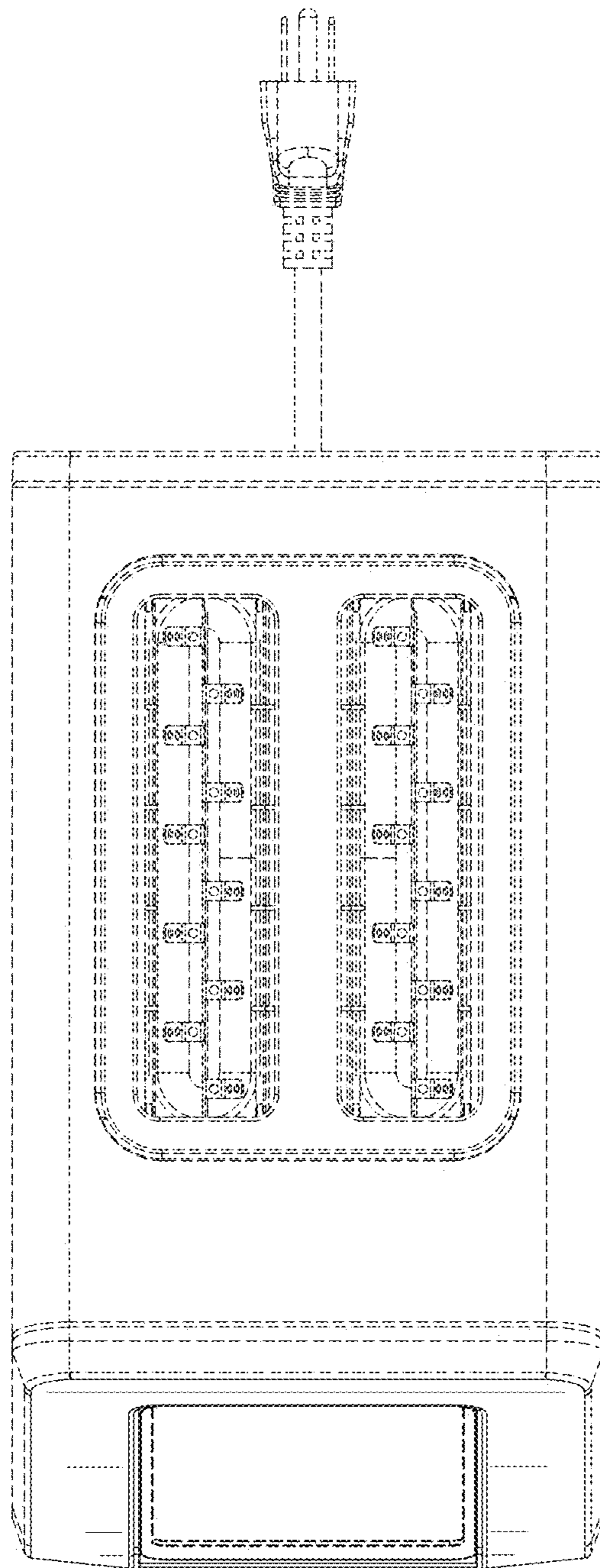


FIG. 5