



US00D938212S

(12) **United States Design Patent**
Holzapfel

(10) **Patent No.:** **US D938,212 S**

(45) **Date of Patent:** **** Dec. 14, 2021**

- (54) **FURNITURE DRAWER**
- (71) Applicant: **Julius Blum GmbH**, Höchst (AT)
- (72) Inventor: **Andreas Holzapfel**, Bregenz (AT)
- (73) Assignee: **JULIUS BLUM GMBH**, Hoechst (AT)
- (**) Term: **15 Years**
- (21) Appl. No.: **35/509,366**
- (22) Filed: **Nov. 11, 2019**
- (80) **Hague Agreement Data**
 Int. Filing Date: **Nov. 11, 2019**
 Int. Reg. No.: **DM/206443**
 Int. Reg. Date: **Nov. 11, 2019**
 Int. Reg. Pub. Date: **May 15, 2020**

4,984,929	A *	1/1991	Rock	A47B 88/931
					403/230
5,161,870	A *	11/1992	Mason	A47B 88/95
					312/348.4
5,207,526	A *	5/1993	Brustle	A47B 88/90
					403/199
5,525,002	A *	6/1996	Huber	A47B 88/90
					403/261
5,690,405	A *	11/1997	Huber	F16B 9/052
					312/348.2
D455,920	S *	4/2002	Domenig	D6/705.4
D456,193	S *	4/2002	Domenig	D6/705.4
D507,914	S *	8/2005	Schmidt	D6/703
D514,854	S *	2/2006	Schmidt	D6/705.5
D515,342	S *	2/2006	Schmidt	D6/703
D518,984	S *	4/2006	Schmidt	D6/703
D520,784	S *	5/2006	Schmidt	D6/705.5
D521,285	S *	5/2006	Schmidt	D6/703
D551,883	S *	10/2007	Gaska	D6/703
D560,404	S *	1/2008	Tseng	D6/703
D619,832	S *	7/2010	Zalewski	D6/705
D667,658	S *	9/2012	Maroney	D6/705

(Continued)

- (30) **Foreign Application Priority Data**
 May 16, 2019 (EM) 6473625
- (51) **LOC (13) Cl.** **06-06**
- (52) **U.S. Cl.**
 USPC **D6/705**
- (58) **Field of Classification Search**
 USPC D6/705, 705.2, 705.4, 705.5, 705.7, 719
 CPC A47B 88/00; A47B 88/40; A47B 88/407;
 A47B 88/417; A47B 88/427; A47B
 88/497; A47B 88/90; A47B 88/906; A47B
 88/913; A47B 88/919; A47B 88/925
 See application file for complete search history.

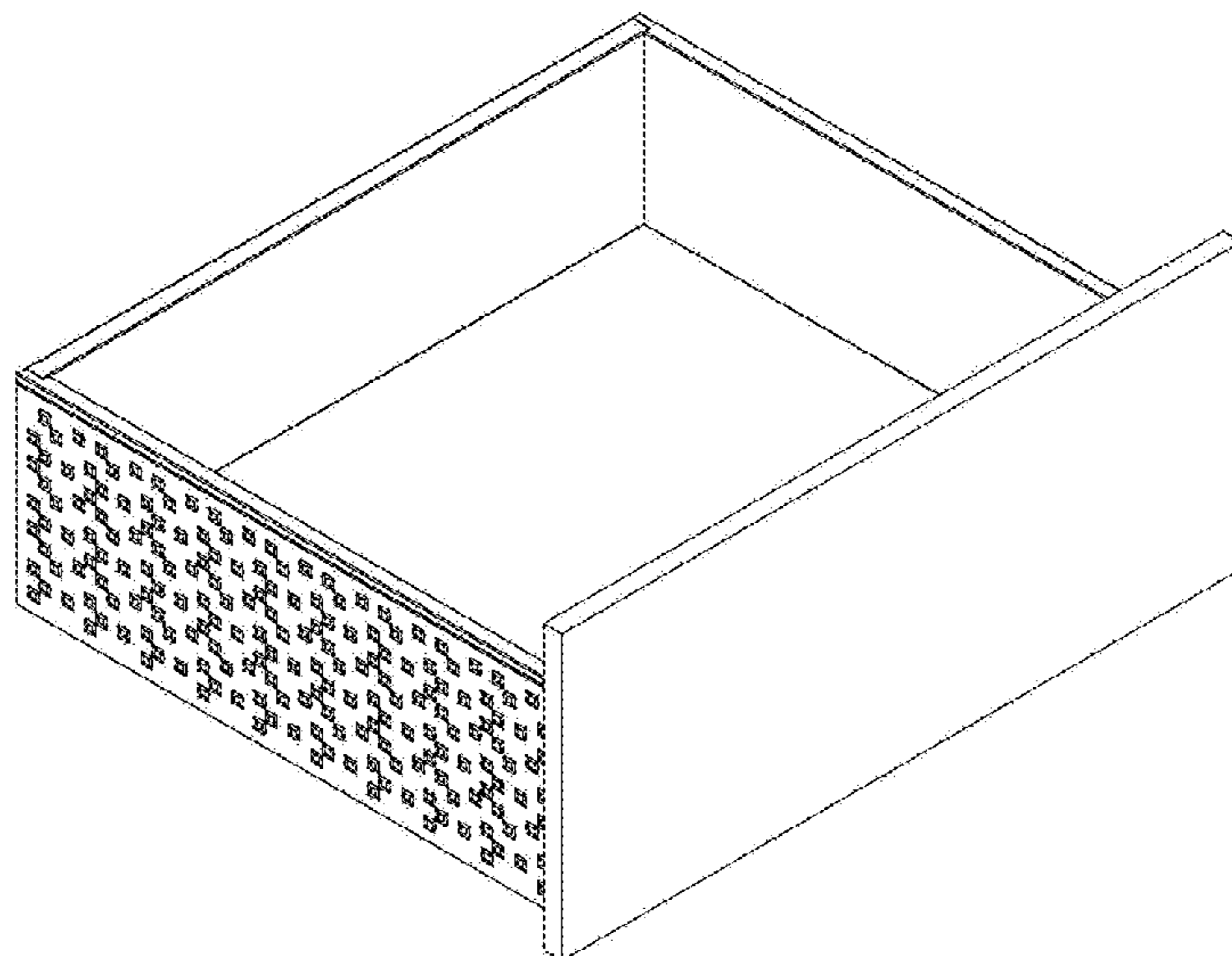
Primary Examiner — Steven J Czyn
(74) *Attorney, Agent, or Firm* — Wenderoth, Lind & Ponack, L.L.P.

- (56) **References Cited**
 U.S. PATENT DOCUMENTS
 D255,632 S * 7/1980 Litchfield D6/705
 D258,792 S * 4/1981 Litchfield D6/705
 4,671,581 A * 6/1987 Faust A47B 88/931
 312/330.1

(57) **CLAIM**
The ornamental design for a furniture drawer, as shown and described.

DESCRIPTION
1.1 is a perspective view of the furniture drawer;
1.2 is a left side view thereof;
1.3 is a right side view thereof;
1.4 is a top view thereof;
1.5 is a bottom view thereof;
1.6 is a front view thereof;
1.7 is a rear view thereof;
2 is a perspective view of the furniture drawer; and
3 is a front view of surface ornamentation shown separately for ease of disclosure.

1 Claim, 9 Drawing Sheets



(56)

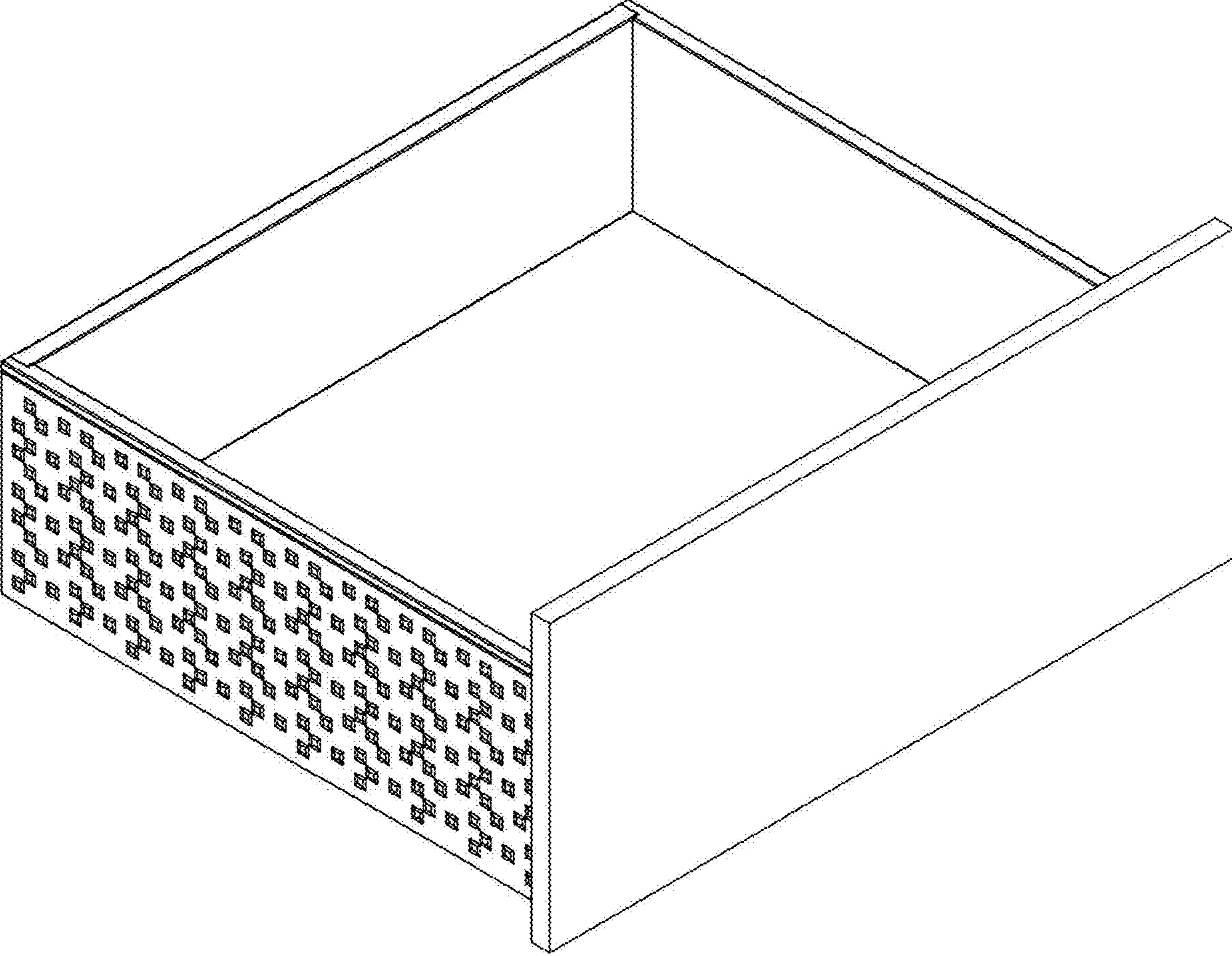
References Cited

U.S. PATENT DOCUMENTS

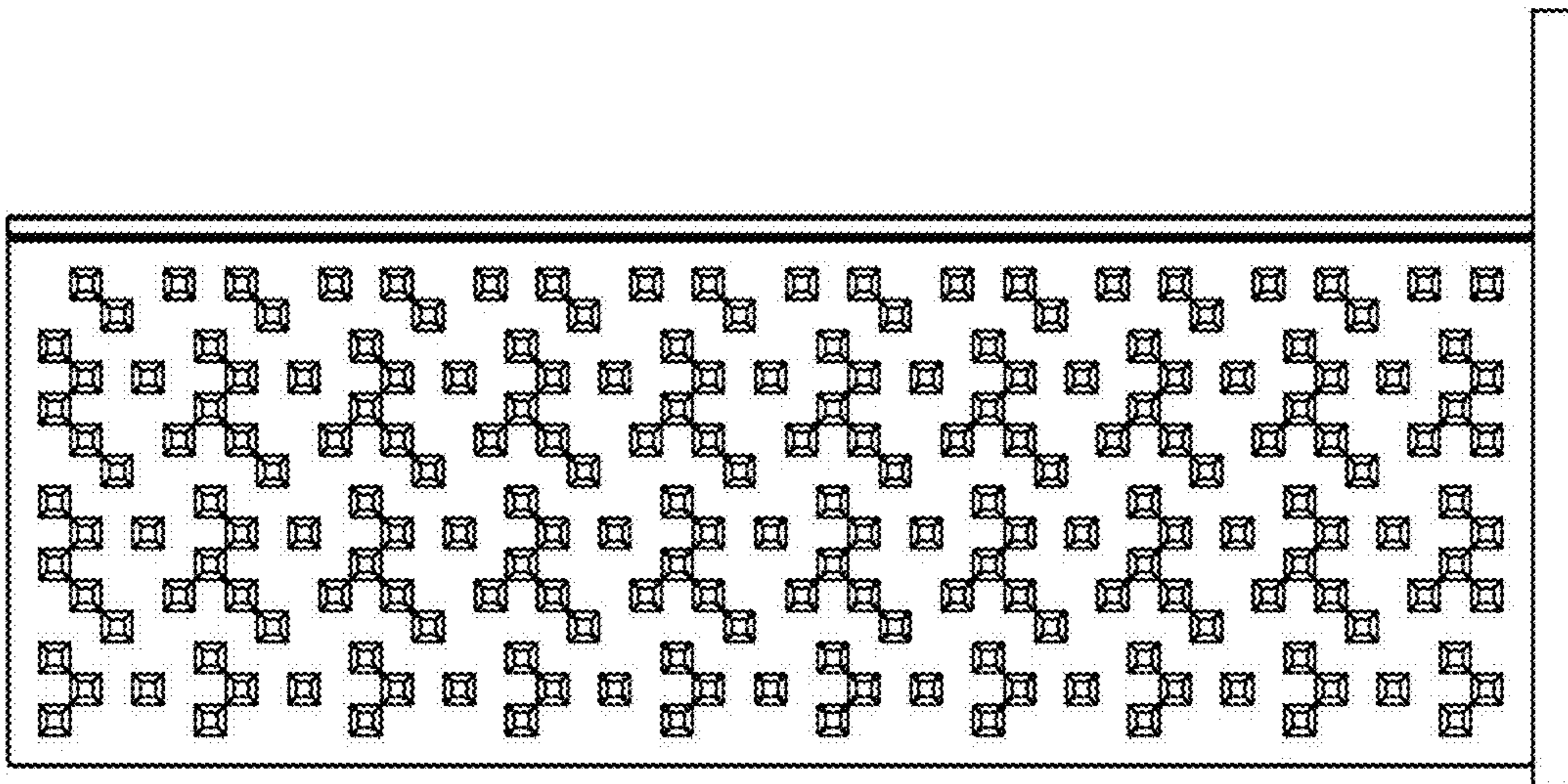
8,310,191 B2 * 11/2012 Schneider A47B 88/40
318/466
D684,402 S * 6/2013 Gasser D6/705
D684,403 S * 6/2013 Gasser D6/705
D684,404 S * 6/2013 Hertaus D6/705
D686,016 S * 7/2013 Gasser D6/705
D686,017 S * 7/2013 Gasser D6/705
D686,429 S * 7/2013 Kampl D6/705
D689,720 S * 9/2013 Lim D6/705
D690,972 S * 10/2013 Lizotte D6/705
D692,705 S * 11/2013 Hernanz Arbeloa D6/705
D692,712 S * 11/2013 Helser D6/718
D694,561 S * 12/2013 Eckert D6/705
8,833,118 B1 * 9/2014 McLane E05B 47/026
70/85
D741,633 S * 10/2015 Leduc D6/705
9,456,690 B2 * 10/2016 Feuerstein A47B 88/941
D773,869 S * 12/2016 Hernandez D6/705
10,085,556 B2 * 10/2018 Chien A47B 88/403
10,085,559 B2 * 10/2018 Schon A47B 88/00
10,293,512 B2 * 5/2019 Devos B27F 1/08
10,376,053 B2 * 8/2019 Schallert A47B 88/40
D887,757 S * 6/2020 Tan D6/705.5
10,687,622 B2 * 6/2020 Poppendiek A47B 88/956
D891,840 S * 8/2020 Irgang D6/705
D891,841 S * 8/2020 Su D6/705.4
10,729,242 B2 * 8/2020 Staufenberg A47B 88/919
10,750,861 B2 * 8/2020 Wohlgenannt E05C 19/022
10,772,421 B2 * 9/2020 Kampl A47B 88/423
10,791,832 B2 * 10/2020 Chen A47B 88/407
10,968,936 B2 * 4/2021 Boo F16B 12/10

* cited by examiner

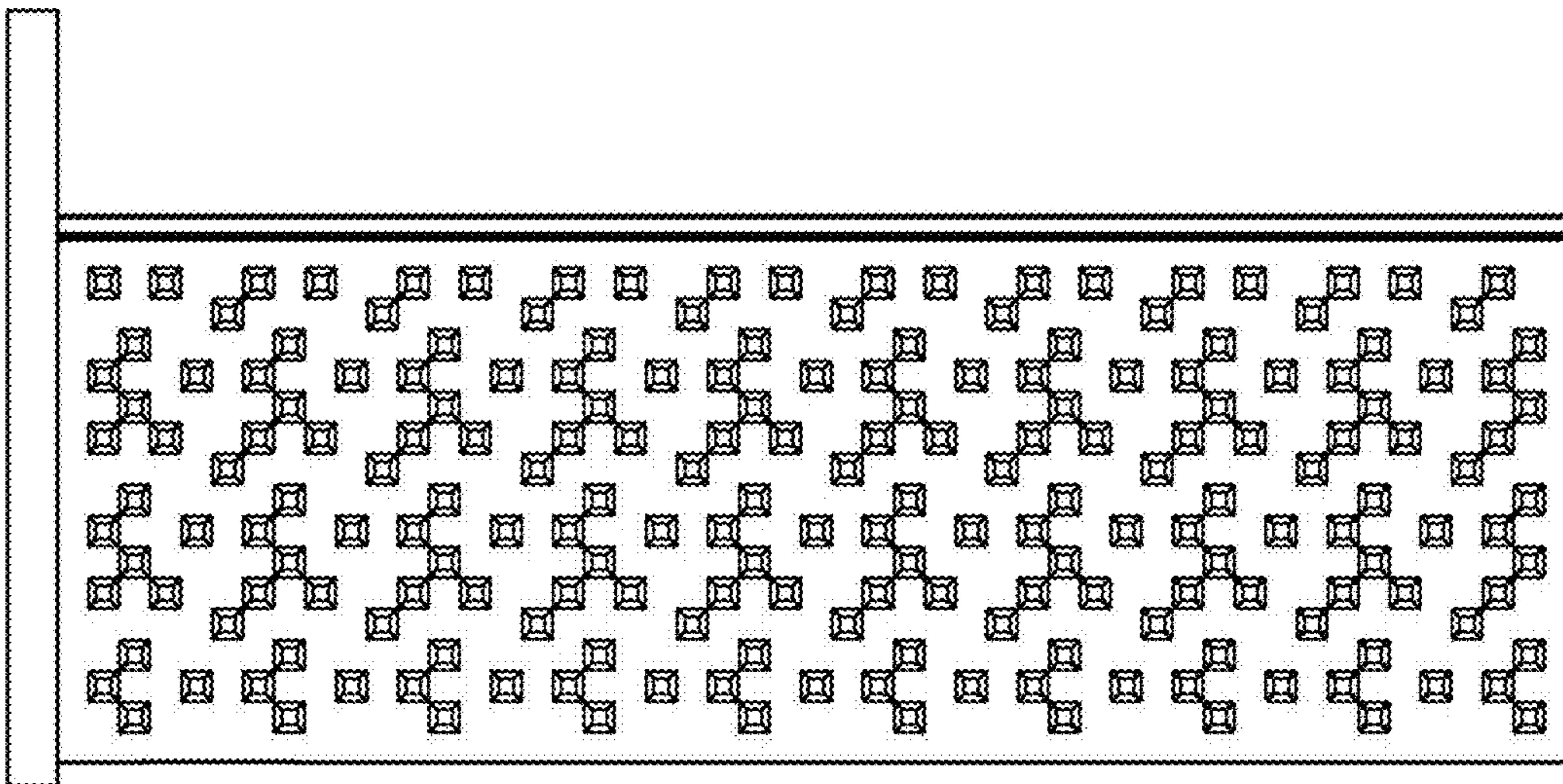
1.1



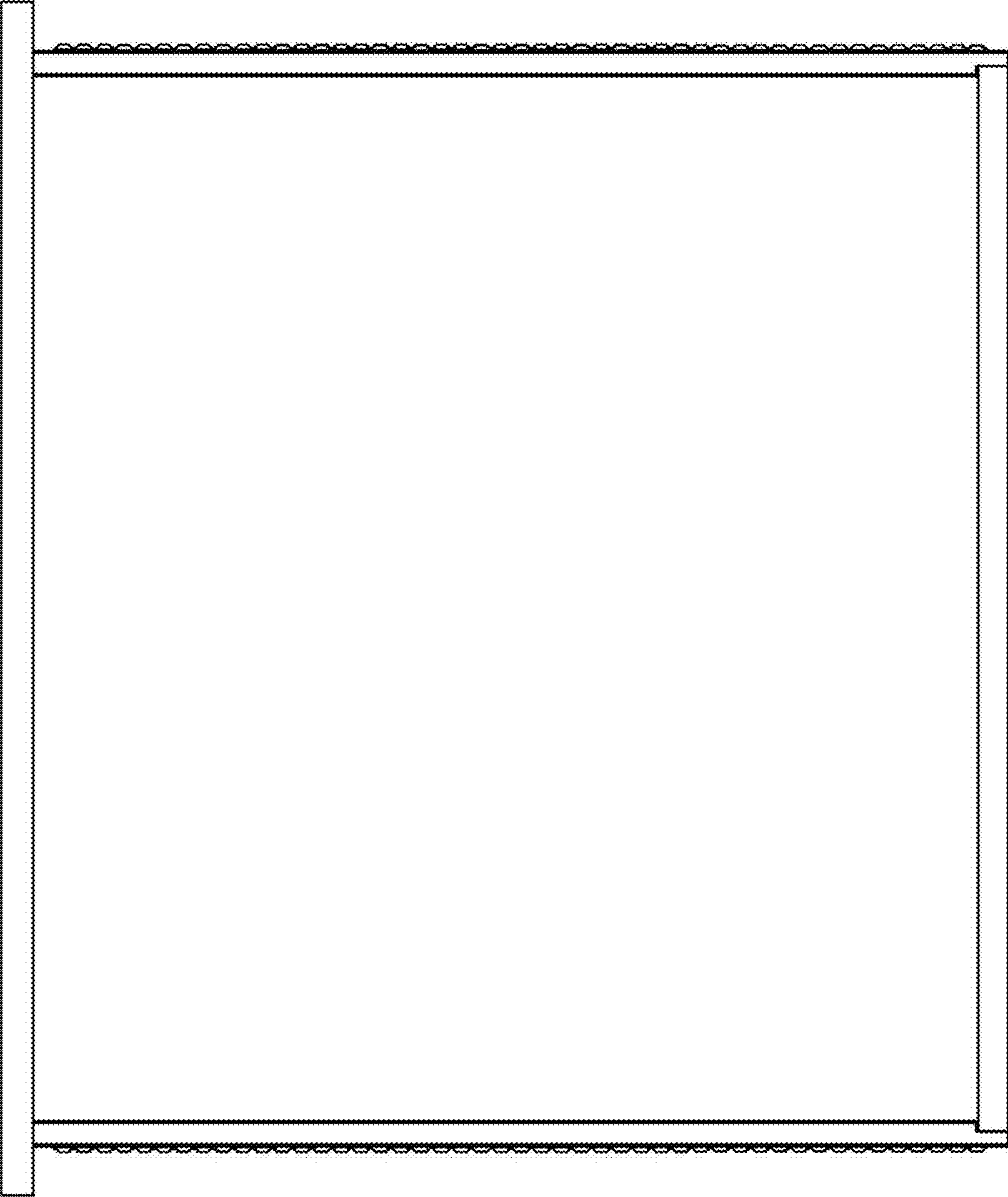
1.2



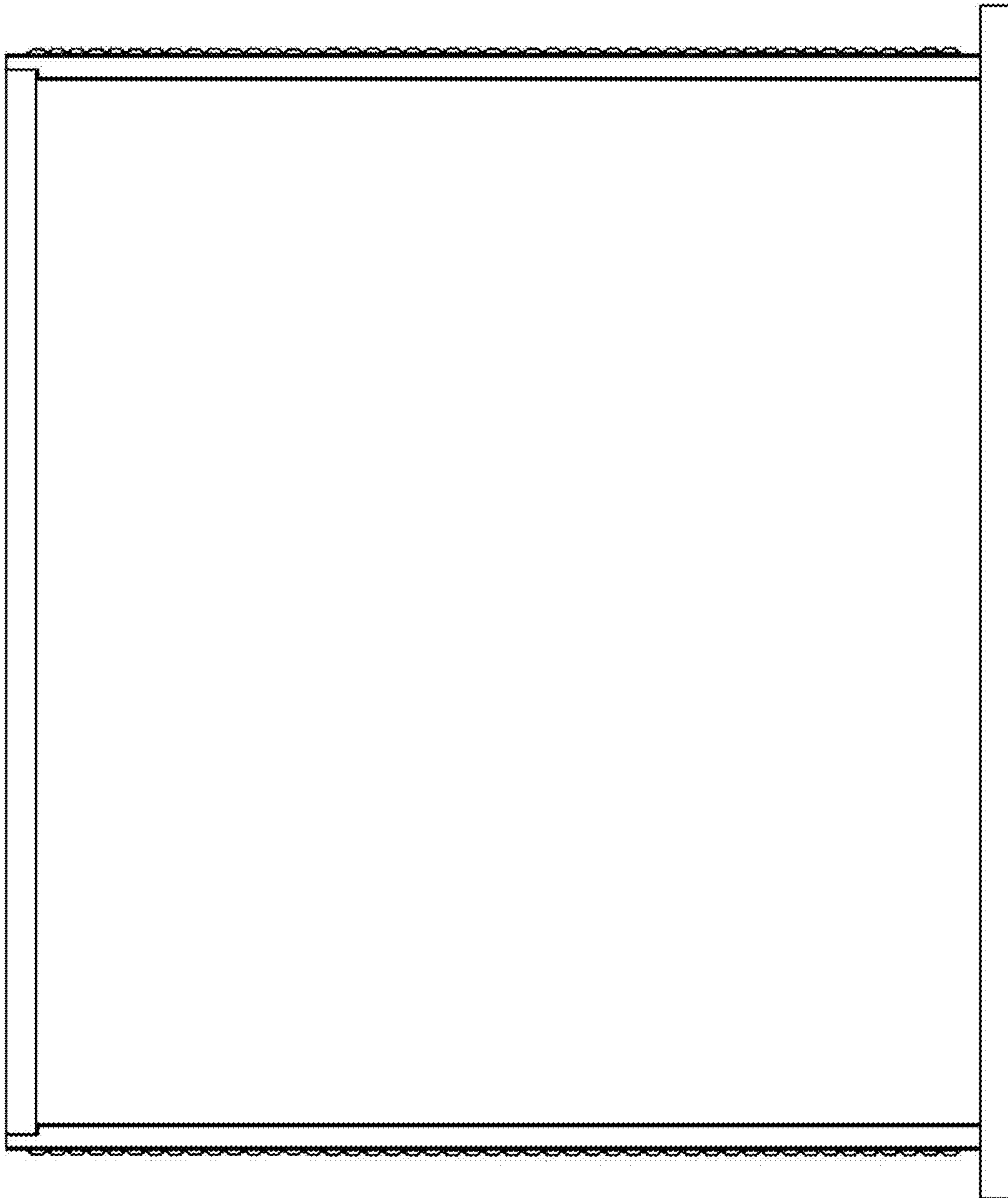
1.3



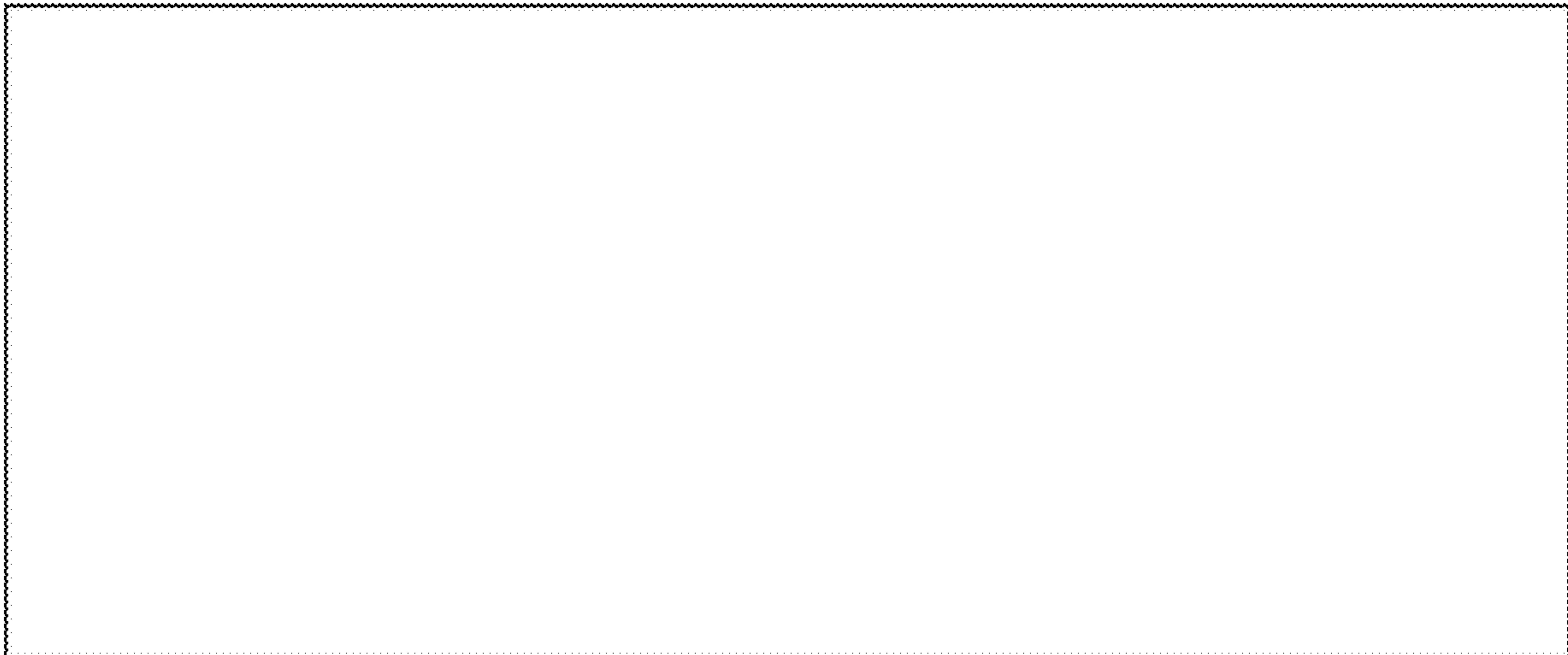
1.4

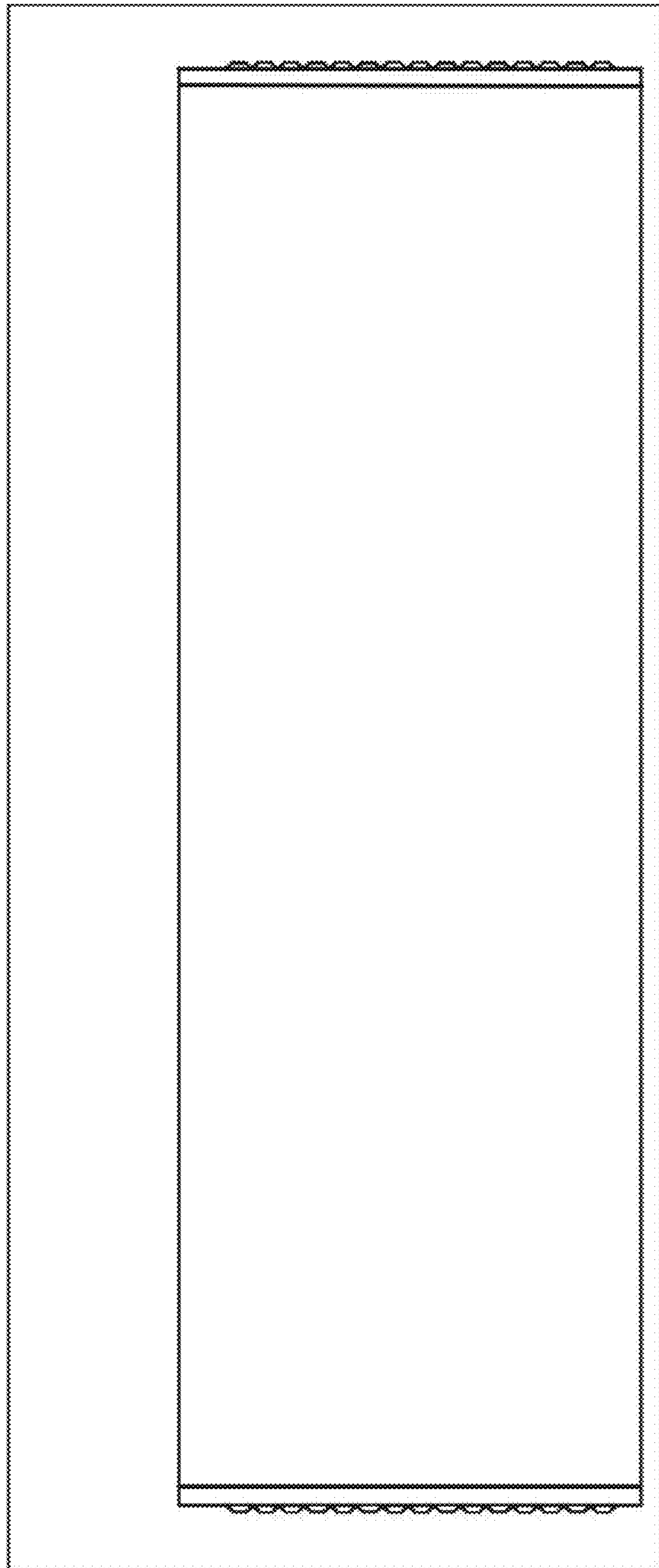


1.5



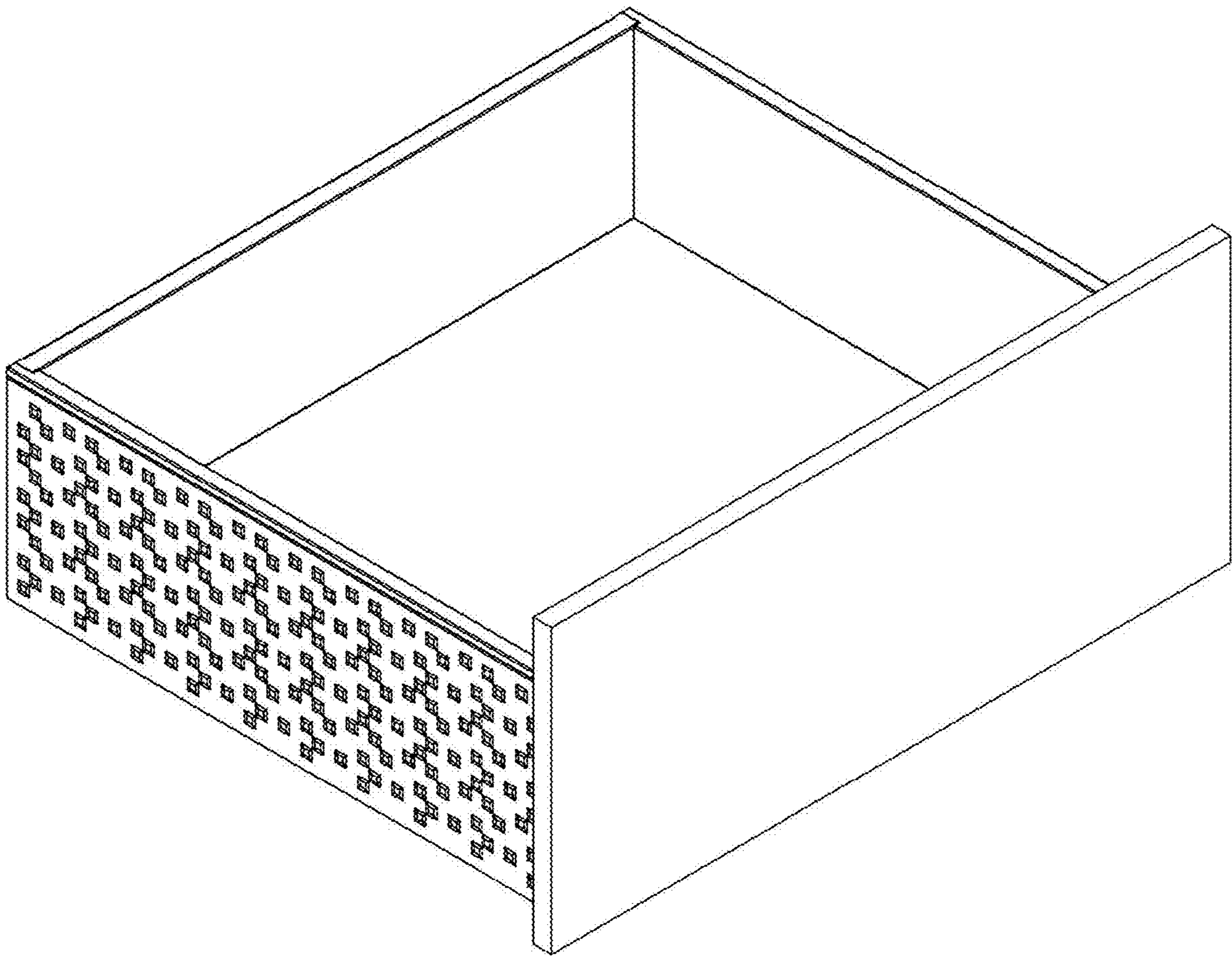
1.6





1.7

2



3

