



US00D938211S

(12) **United States Design Patent** (10) **Patent No.:** **US D938,211 S**
Inouye et al. (45) **Date of Patent:** **** Dec. 14, 2021**

(54) **RETAIL FIXTURE**

(71) Applicant: **Apple Inc.**, Cupertino, CA (US)
(72) Inventors: **Allison Inouye**, San Francisco, CA (US); **Jean-Marc Gady**, Los Altos, CA (US); **Ismael Flores Trujano**, San Jose, CA (US); **Mi Zou**, San Francisco, CA (US); **Po Huang**, San Jose, CA (US); **Wesley Bryan Hamm**, San Francisco, CA (US); **Russell John Kaaihue Heirakuji**, Cupertino, CA (US); **Joshua Robert Edwards**, Santa Cruz, CA (US); **Nicholas E. Corti**, San Francisco, CA (US); **Manuel Dejesus**, San Francisco, CA (US)

(73) Assignee: **Apple Inc.**, Cupertino, CA (US)

(**) Term: **15 Years**

(21) Appl. No.: **29/713,513**

(22) Filed: **Nov. 15, 2019**

(51) **LOC (13) Cl.** **06-03**

(52) **U.S. Cl.**
USPC **D6/699**

(58) **Field of Classification Search**
USPC D6/672, 675, 641, 642, 684–686, 691, D6/698, 699, 699.1, 699.2
CPC A47B 47/00; A47B 47/041; A47B 55/00; A47F 9/00; A47F 9/02; A47F 9/04
See application file for complete search history.

(56) **References Cited**

U.S. PATENT DOCUMENTS

D111,648 S * 10/1938 Canterbury D23/271
2,165,930 A * 7/1939 Levine A47B 69/00
312/140.1
2,808,305 A * 10/1957 Jackson A47B 43/00
312/140.2
D195,293 S * 5/1963 Kegel D6/699
D306,664 S * 3/1990 Pouch 312/140.2

(Continued)

OTHER PUBLICATIONS

48 inch L Flat top Wrap Store Counter—Allen Display <https://www.allendisplay.com/48L-Flat-Top-Wrap-Counter> gclid=EAlalQobChMI36LKM52Q8wIV1MfiCh2UvQPDEAkYBSABEgKhf_D_BwE retrieved from the internet on Sep. 21, 2021.*

(Continued)

Primary Examiner — Mary Ann Calabrese
(74) *Attorney, Agent, or Firm* — Sterne, Kessler, Goldstein & Fox P.L.L.C.

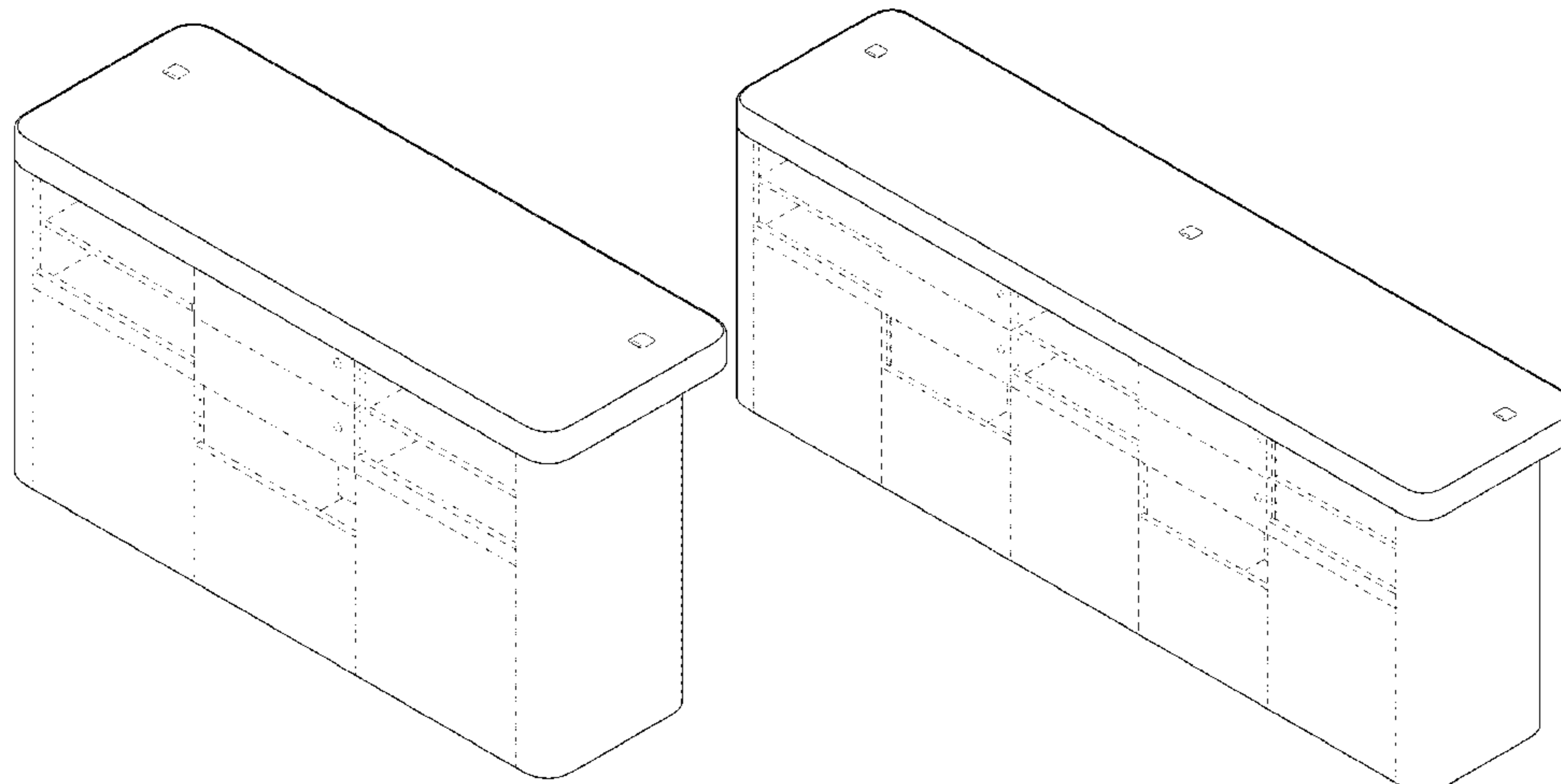
(57) **CLAIM**

The ornamental design for a retail fixture, as shown and described.

DESCRIPTION

FIG. 1 is a top rear perspective view of a retail fixture showing the claimed design;
FIG. 2 is a bottom front perspective view thereof;
FIG. 3 is a front view thereof;
FIG. 4 is a rear view thereof;
FIG. 5 is a left side view thereof;
FIG. 6 is a right side view thereof;
FIG. 7 is a top view thereof;
FIG. 8 is a bottom view thereof;
FIG. 9 is a top rear perspective view of another retail fixture showing the claimed design;
FIG. 10 is a bottom front perspective view thereof;
FIG. 11 is a front view thereof;
FIG. 12 is a rear view thereof;
FIG. 13 is a left side view thereof;
FIG. 14 is a right side view thereof;
FIG. 15 is a top view thereof; and,
FIG. 16 is a bottom view thereof.
The broken lines in the figures show portions of the retail fixture that form no part of the claimed design.

1 Claim, 10 Drawing Sheets



(56)

References Cited

U.S. PATENT DOCUMENTS

D417,981 S * 12/1999 Zwicker D6/699.1
D646,508 S * 10/2011 Parizek D6/698
D728,975 S * 5/2015 Park D6/657
D776,470 S * 1/2017 Heck A47B 69/00
D6/691
D889,887 S * 7/2020 DeJesus A47B 43/00
D6/675
D900,513 S * 11/2020 Li D6/675
D917,937 S * 5/2021 DeJesus D6/675

OTHER PUBLICATIONS

70 inch Metal Framed Service Counter Maple—Display Warehouse
<https://www.displaywarehouse.com/70-inch-metal-framed-service-counter-maple> retrieved from the internet on Sep. 21, 2021.*

* cited by examiner

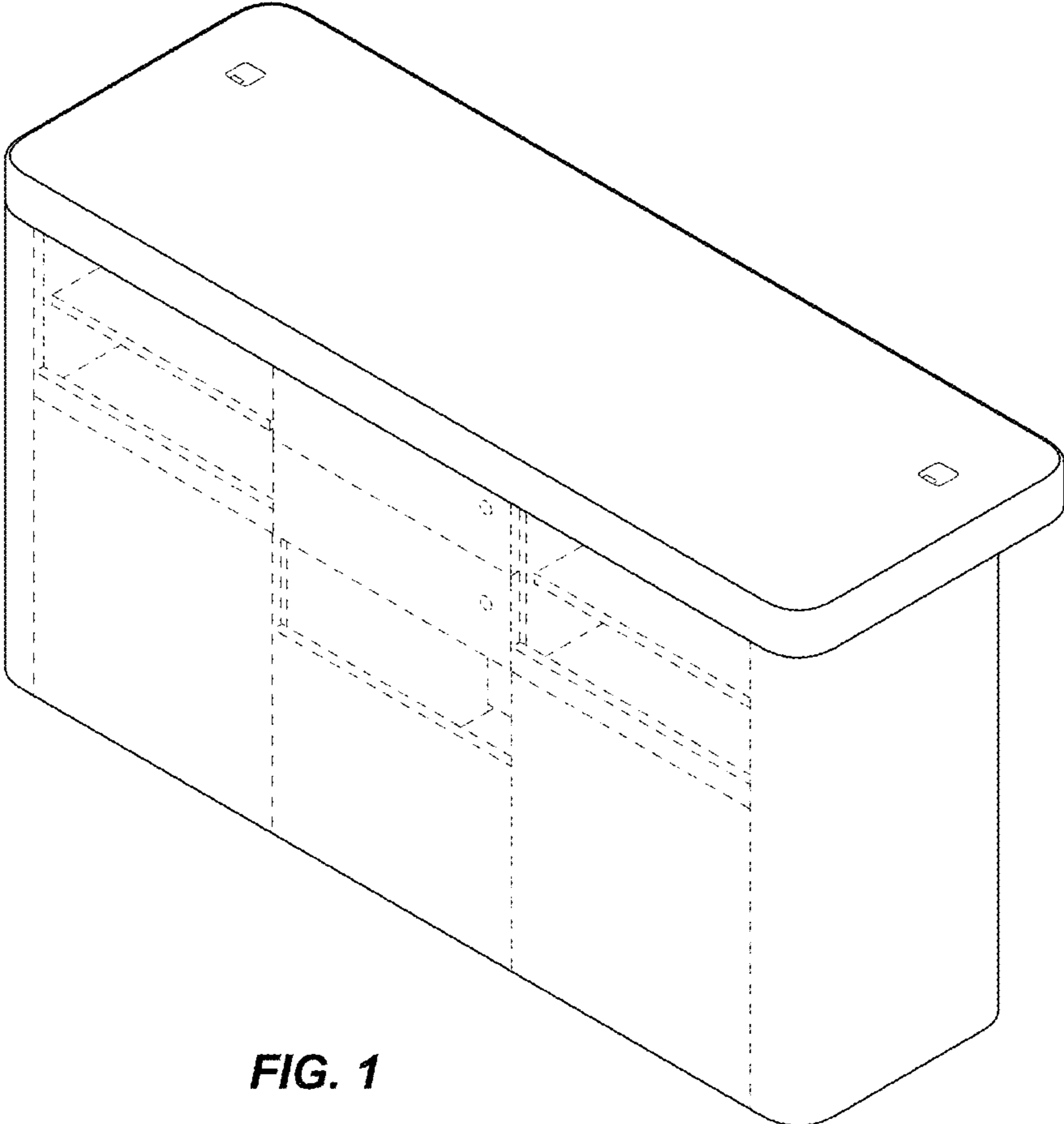


FIG. 1

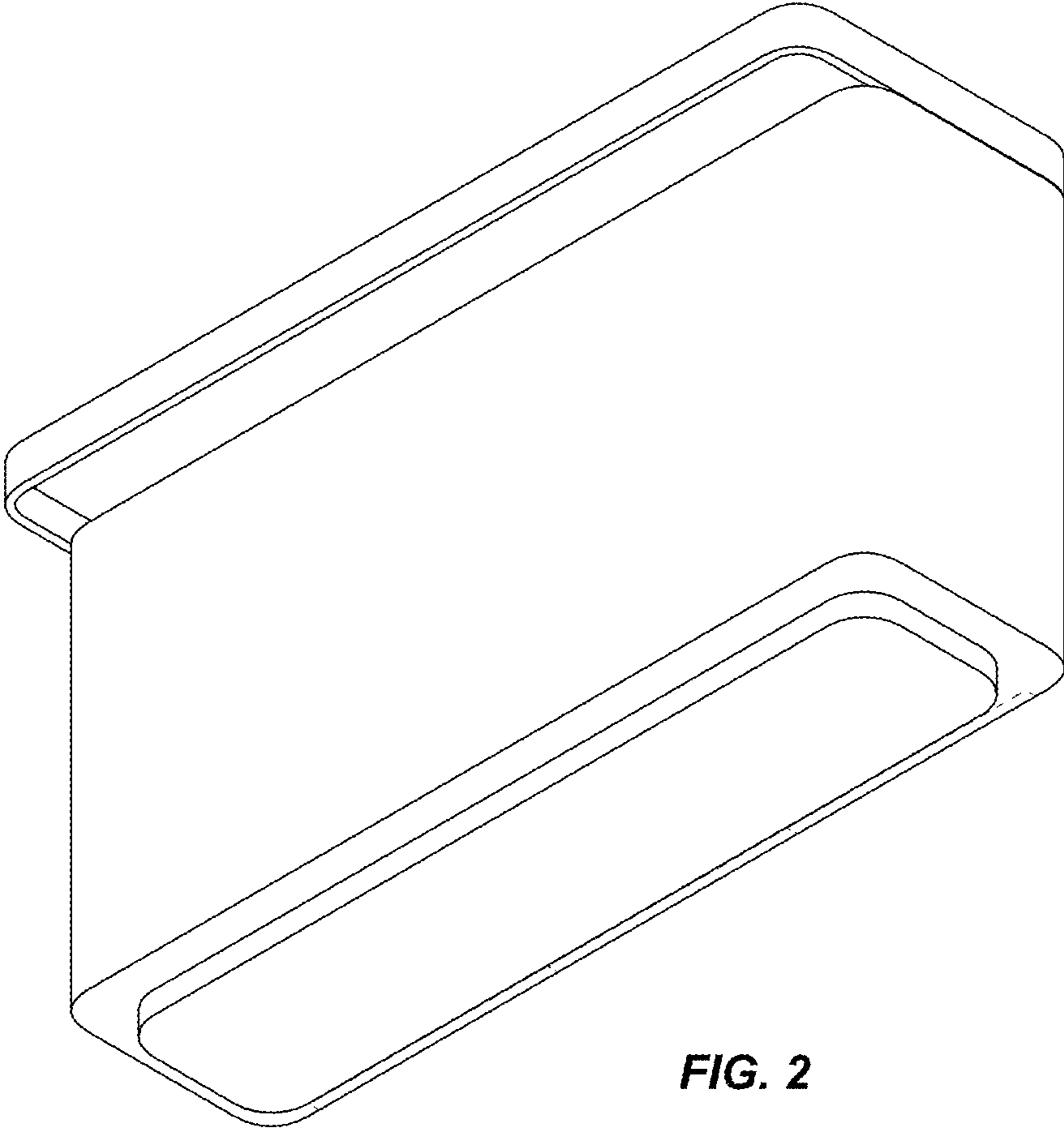


FIG. 2

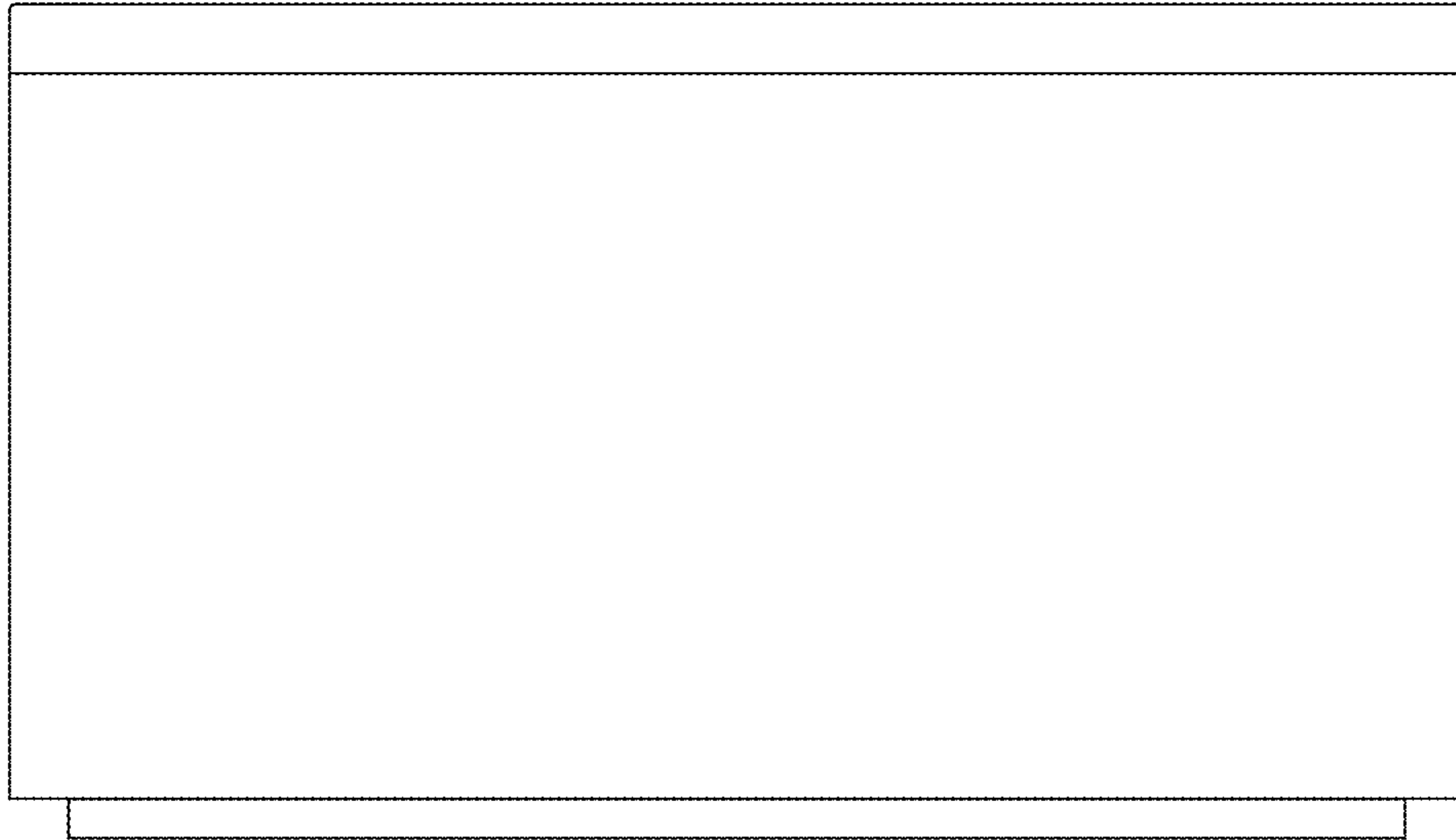


FIG. 3

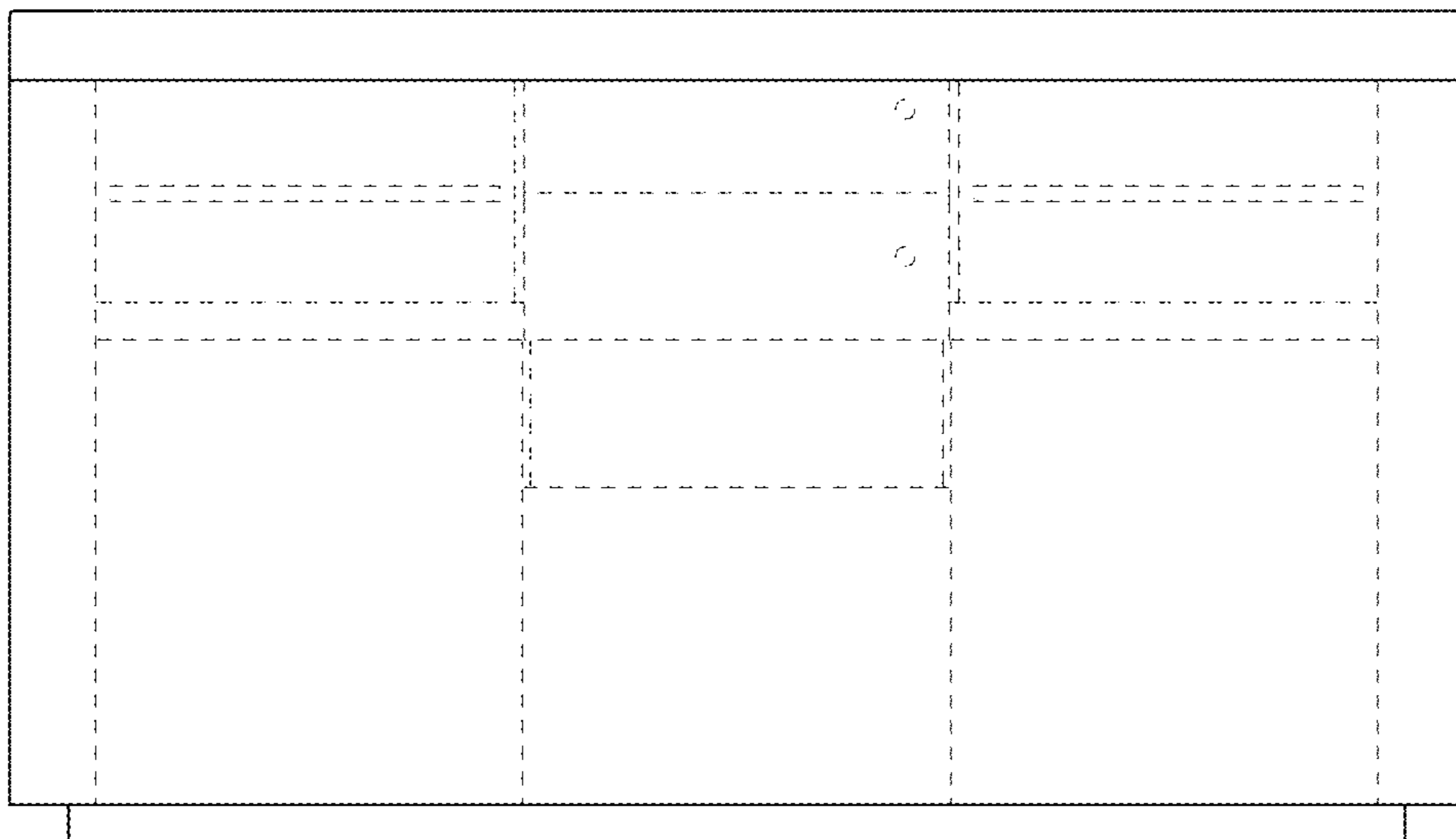


FIG. 4

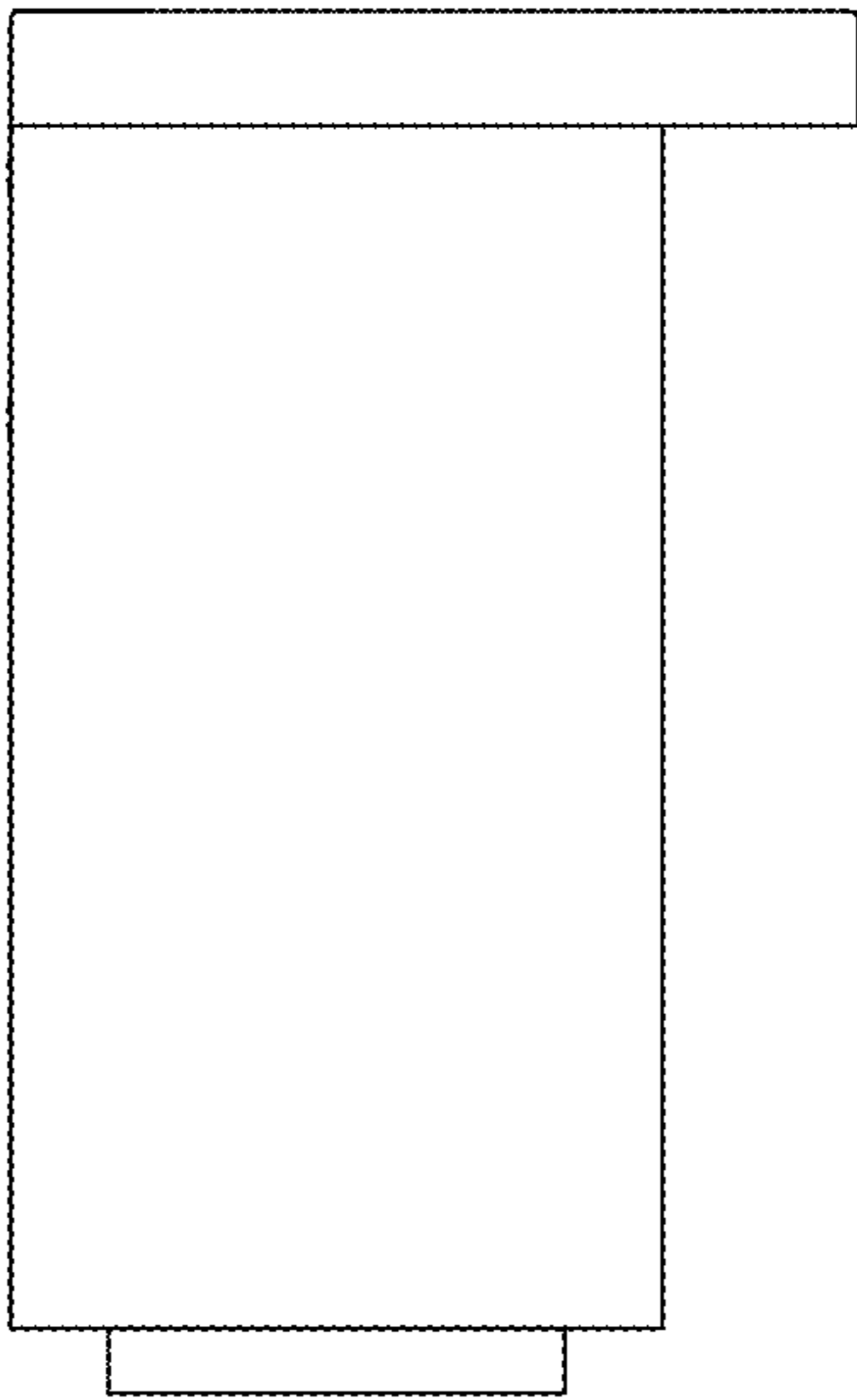


FIG. 5

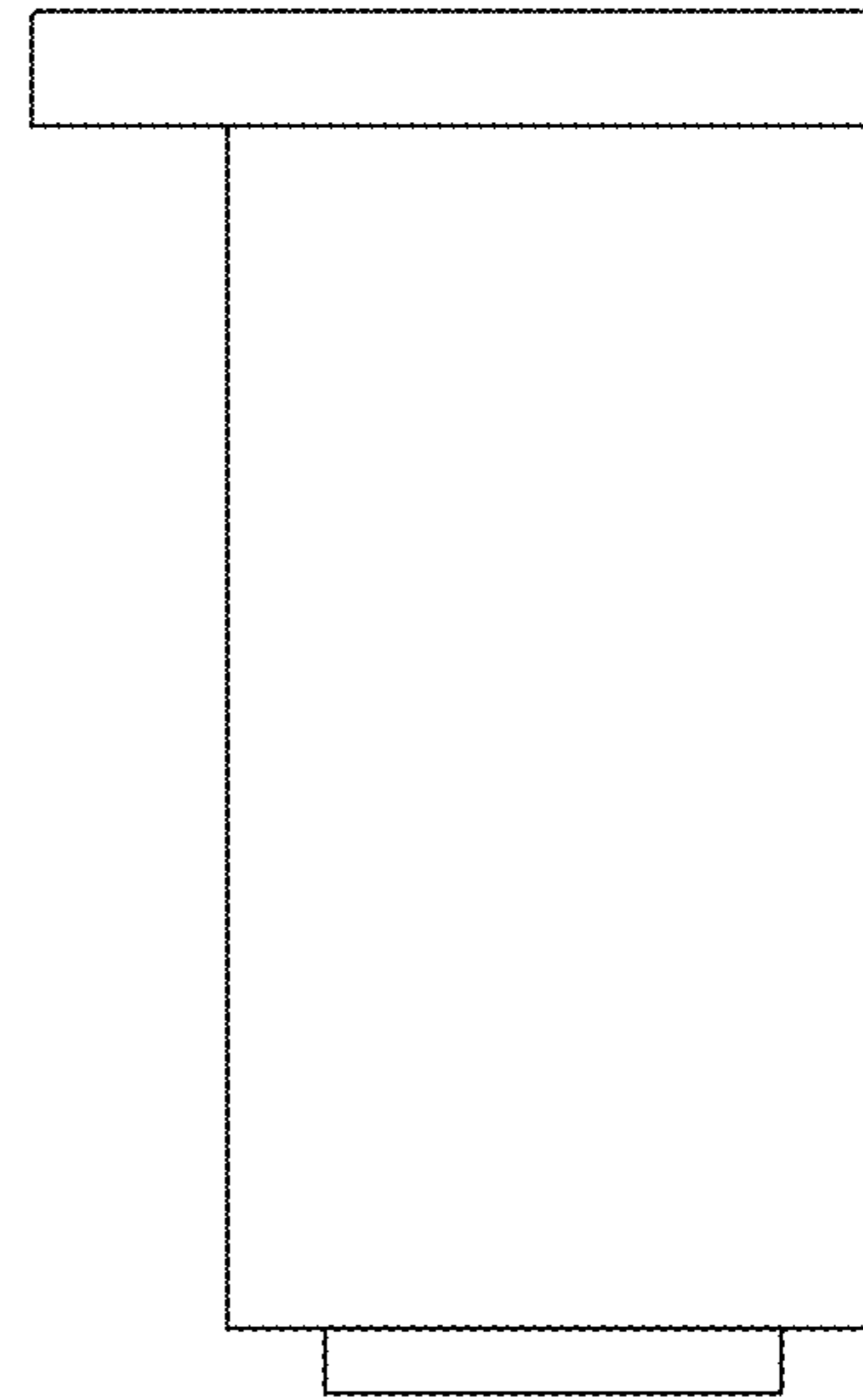


FIG. 6

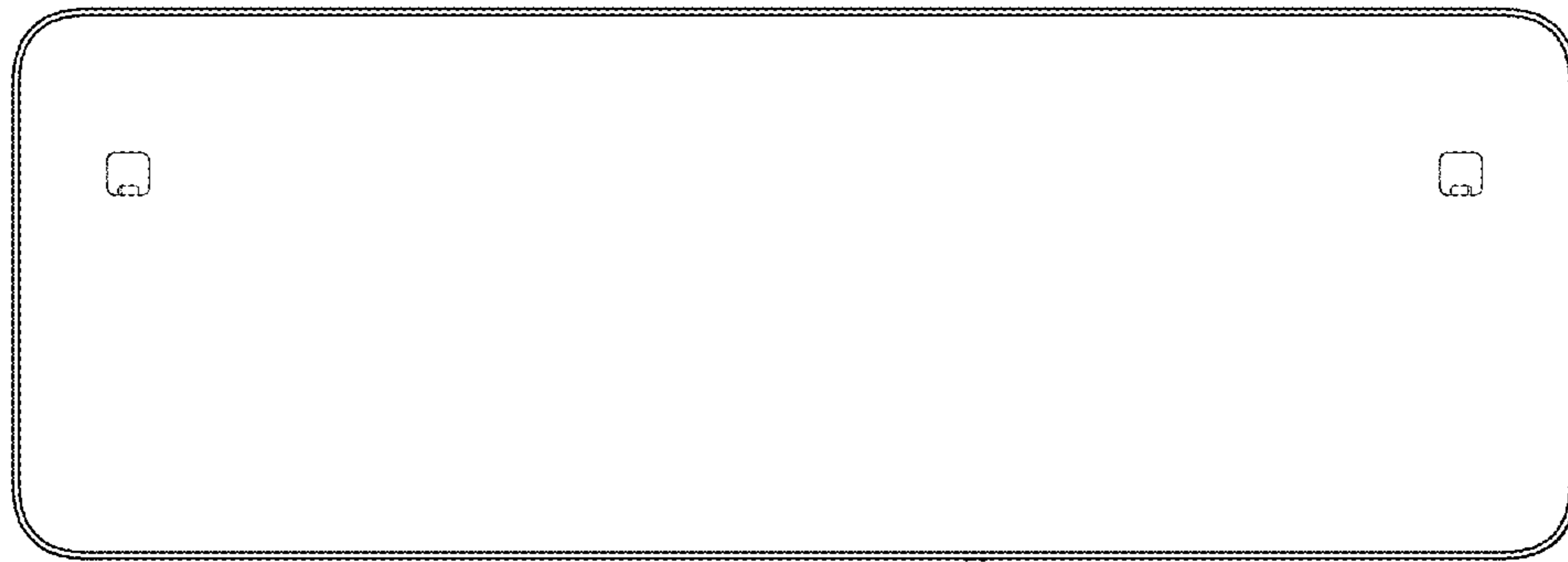


FIG. 7

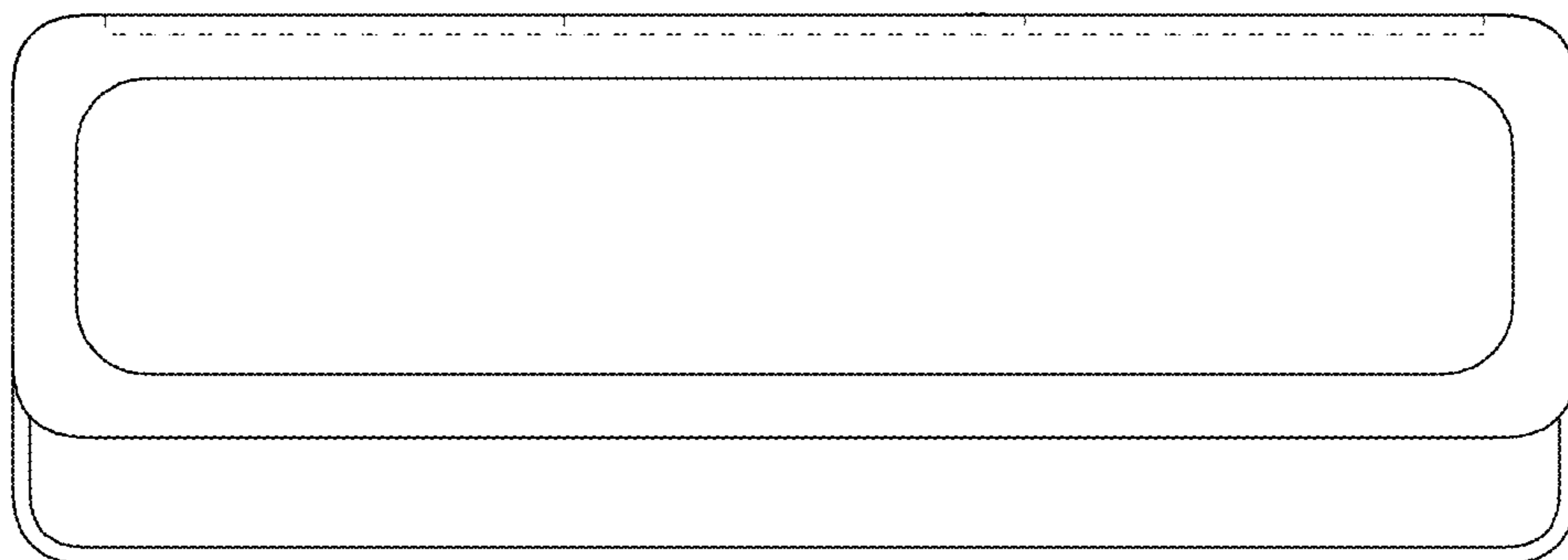


FIG. 8

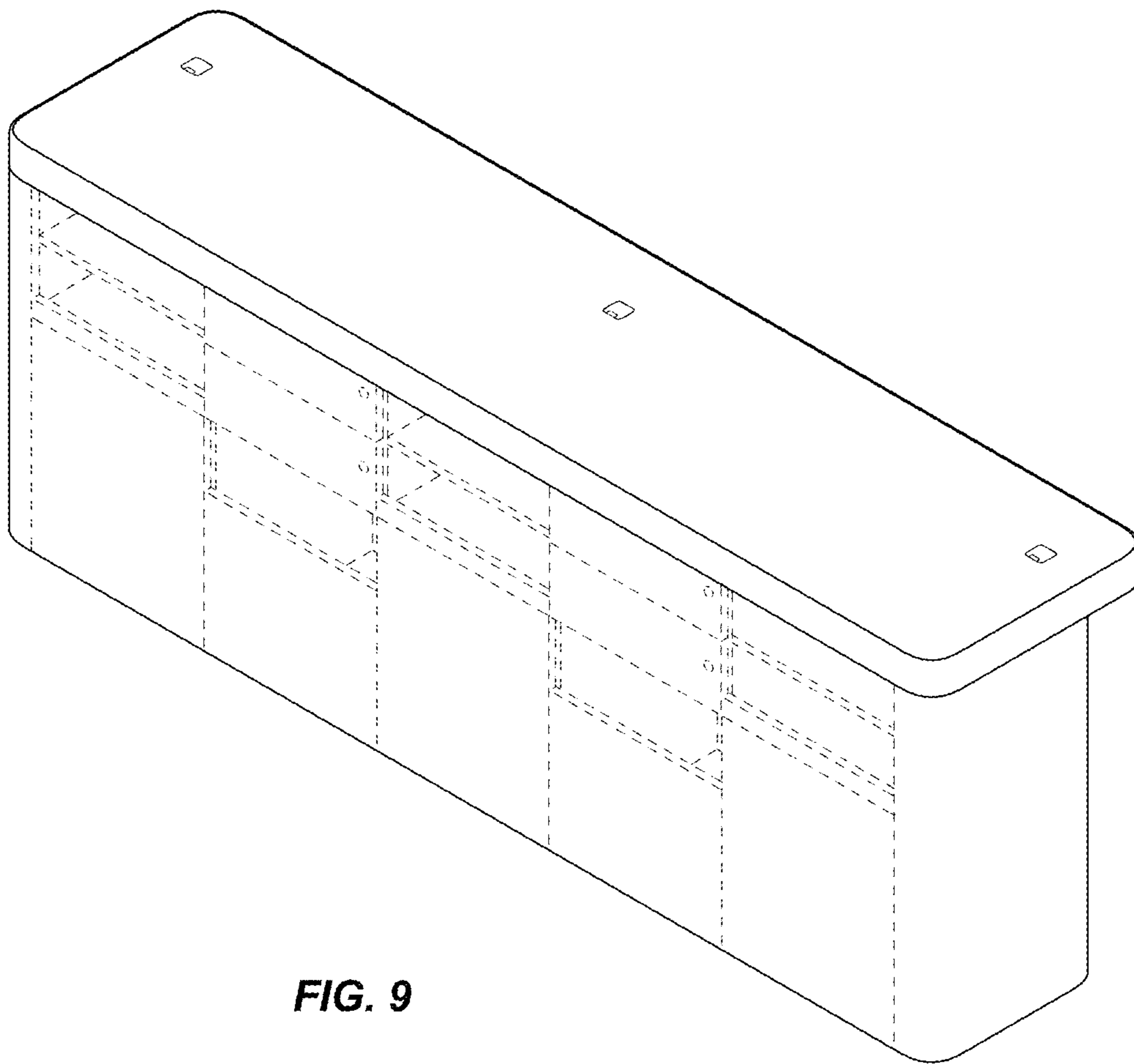


FIG. 9

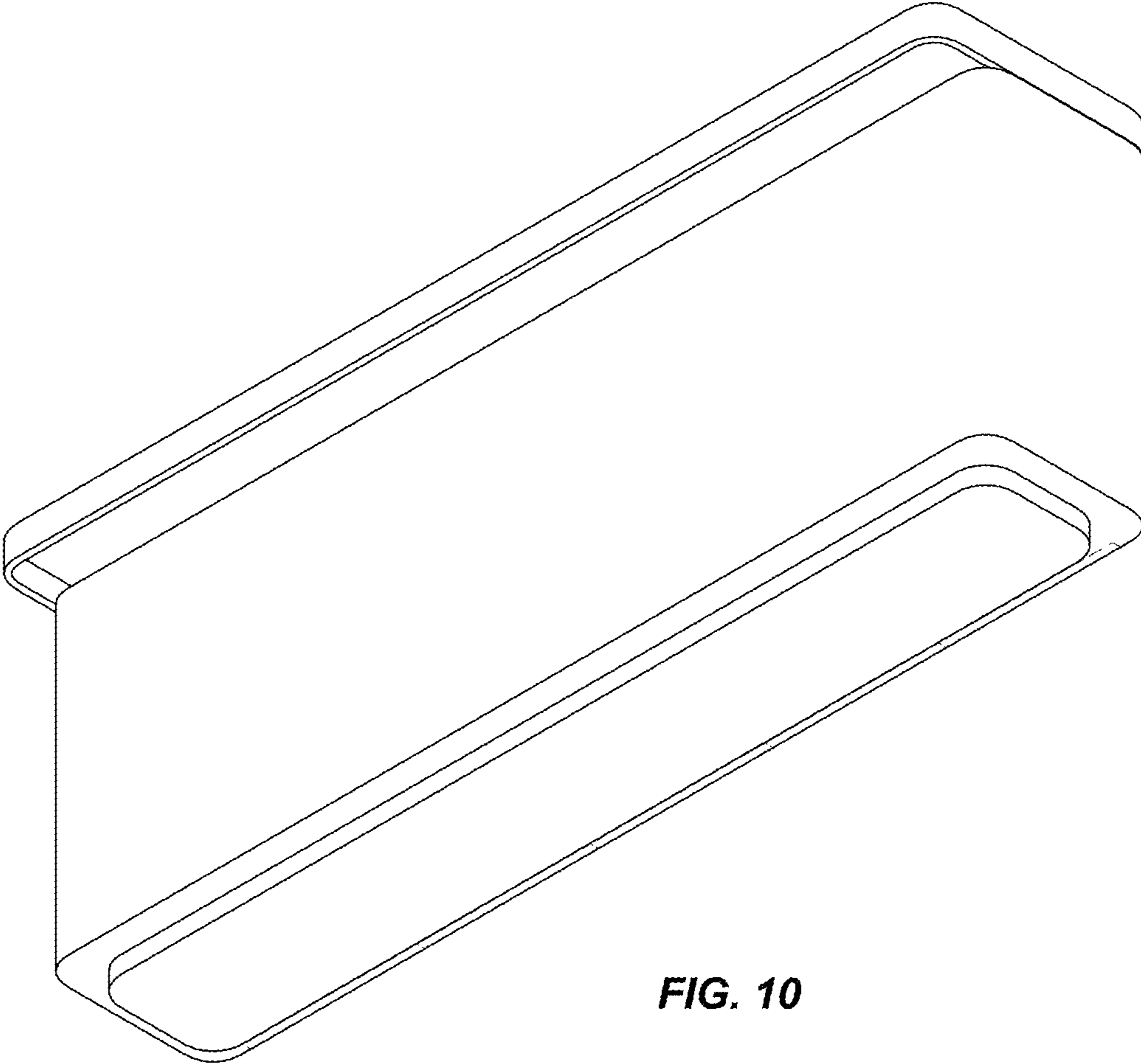


FIG. 10

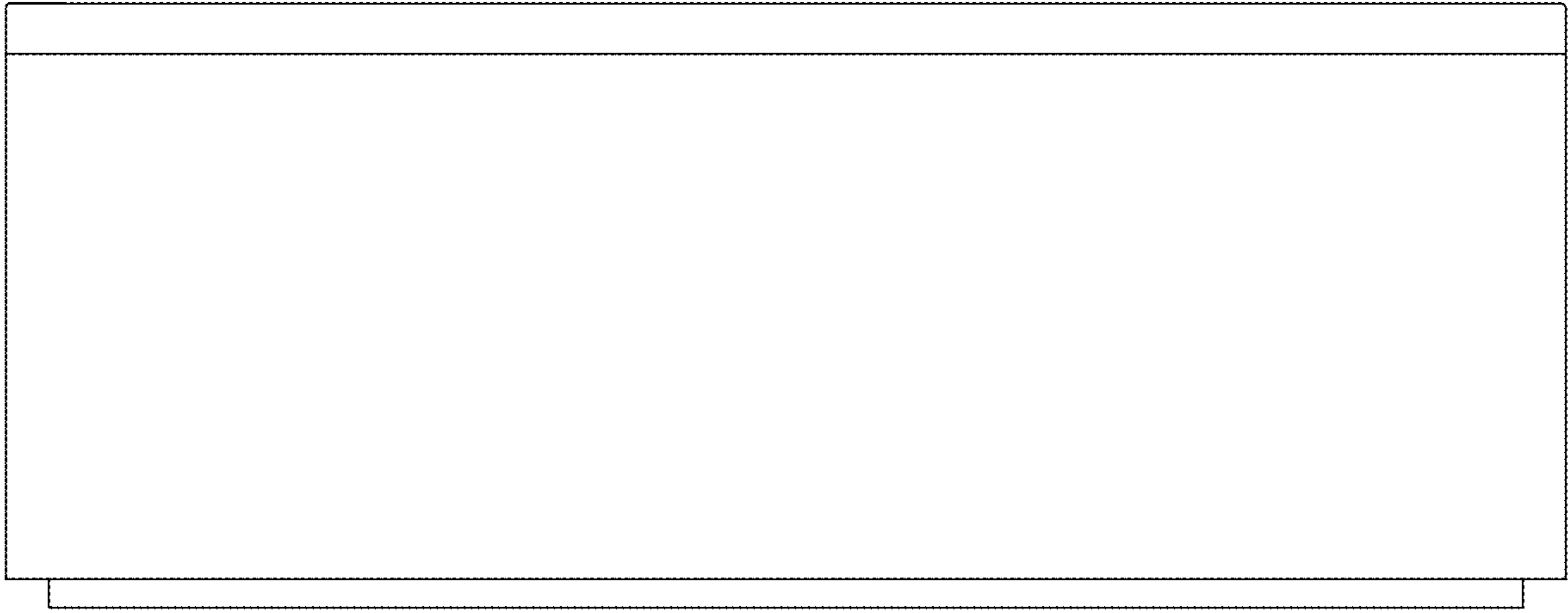


FIG. 11

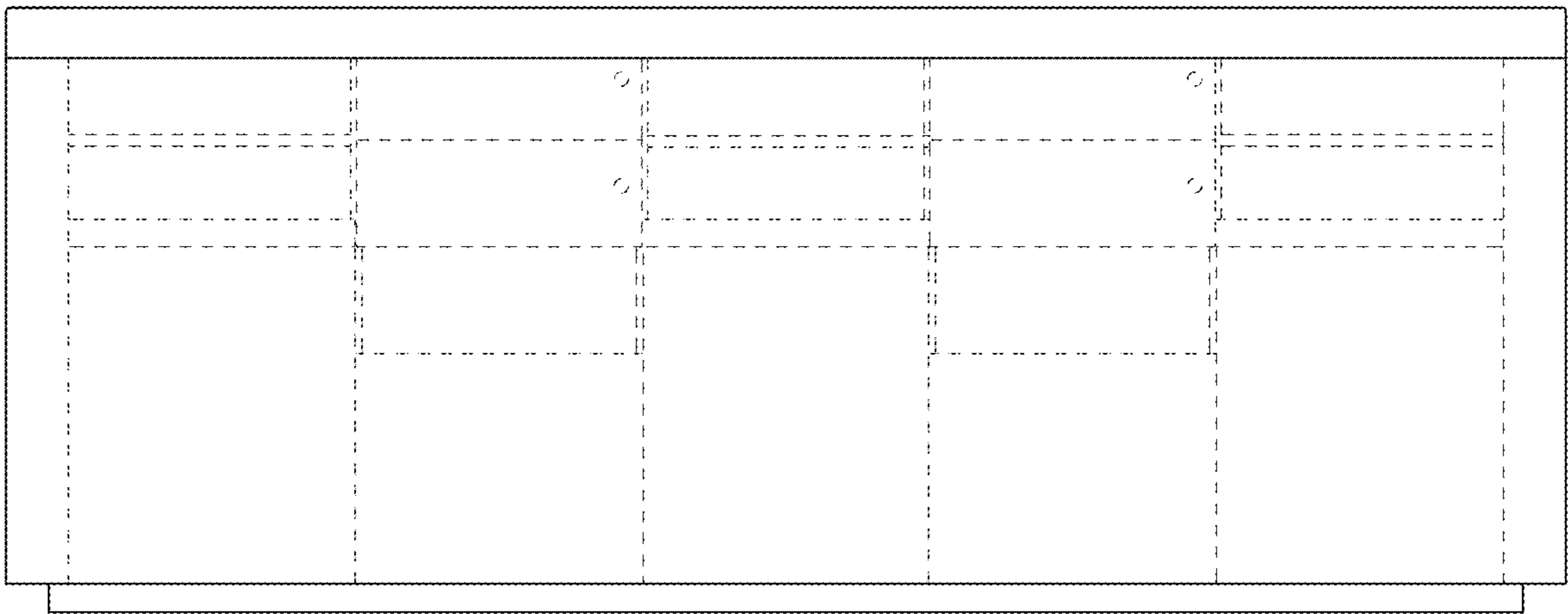


FIG. 12

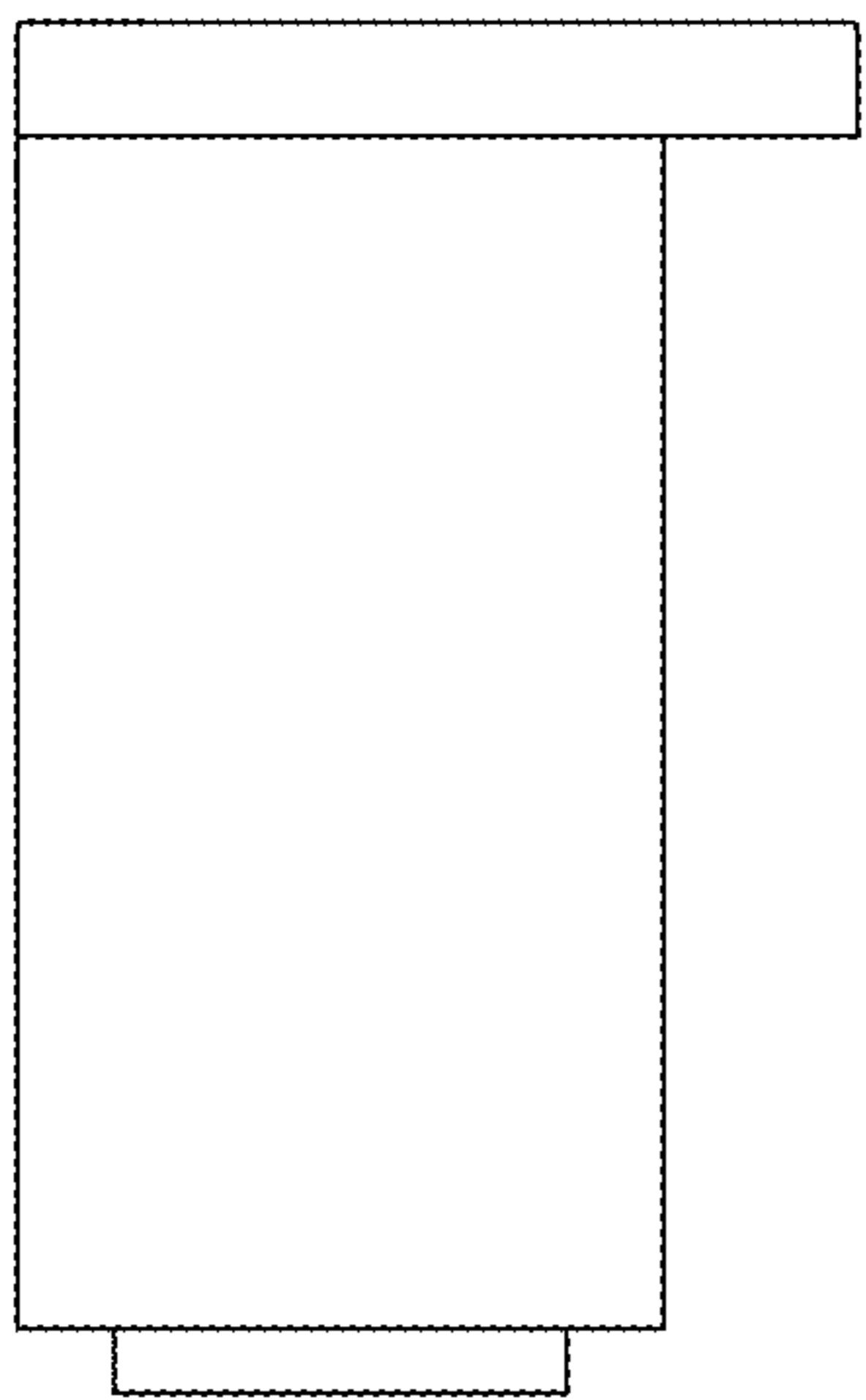


FIG. 13

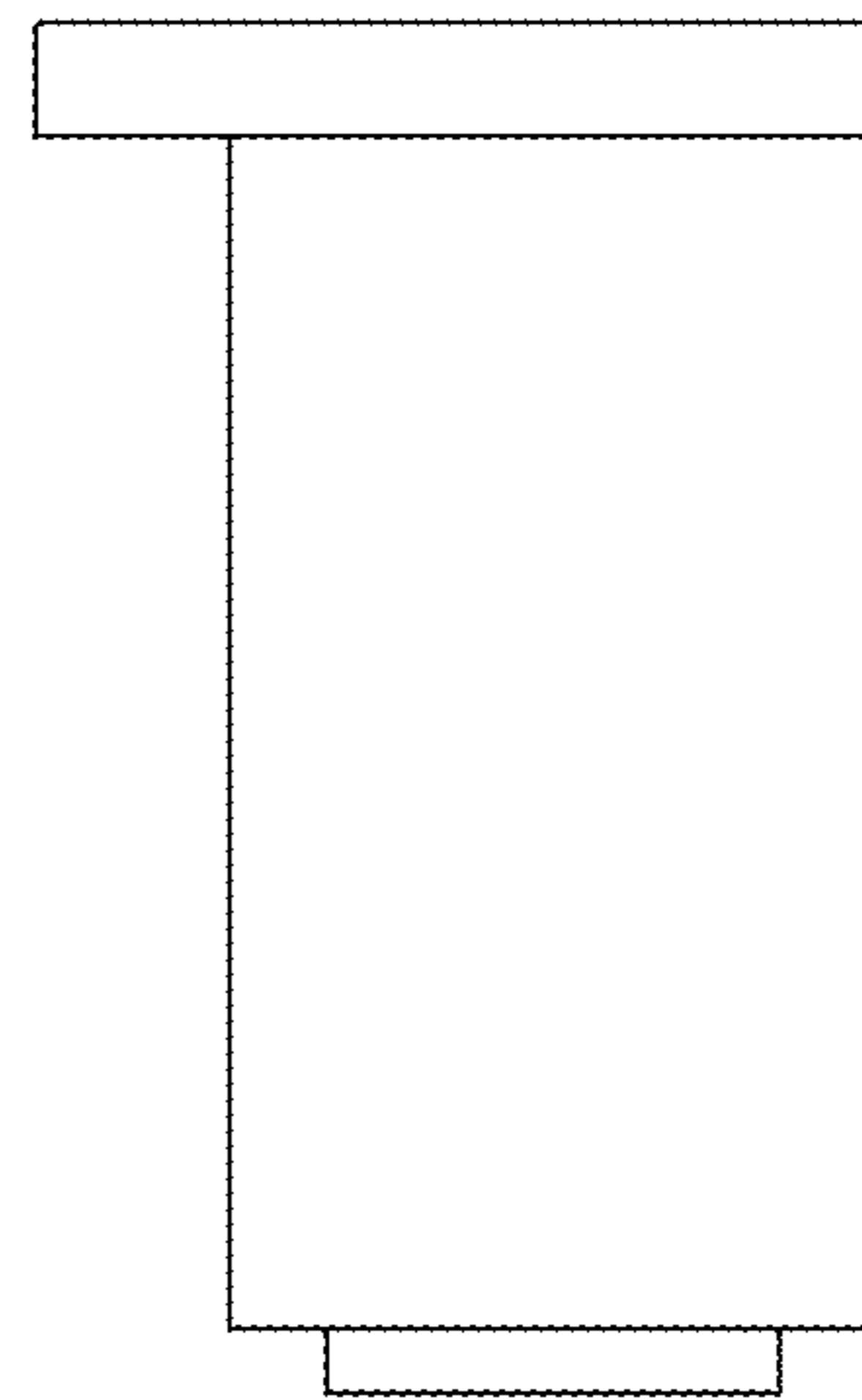


FIG. 14

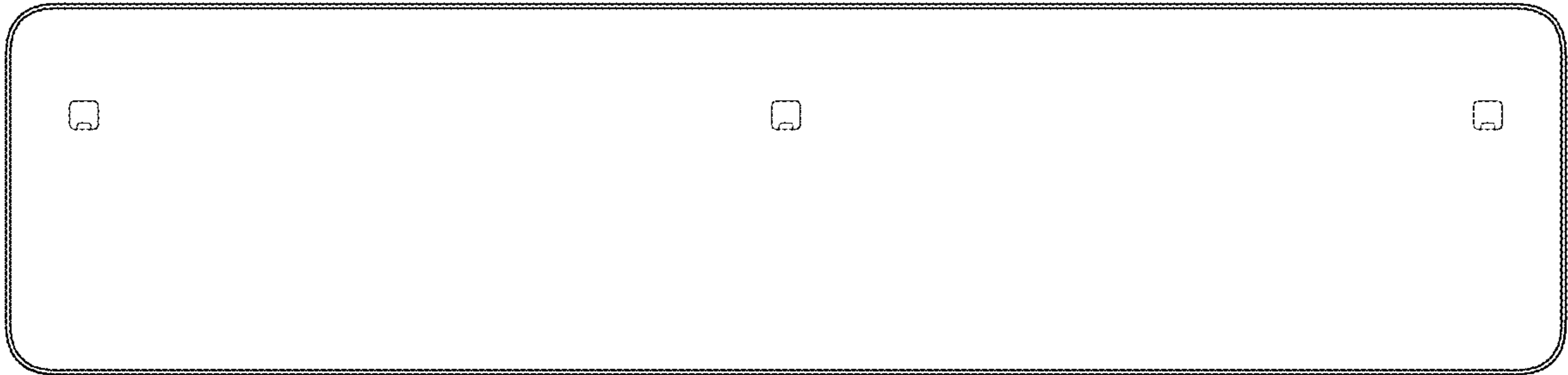


FIG. 15

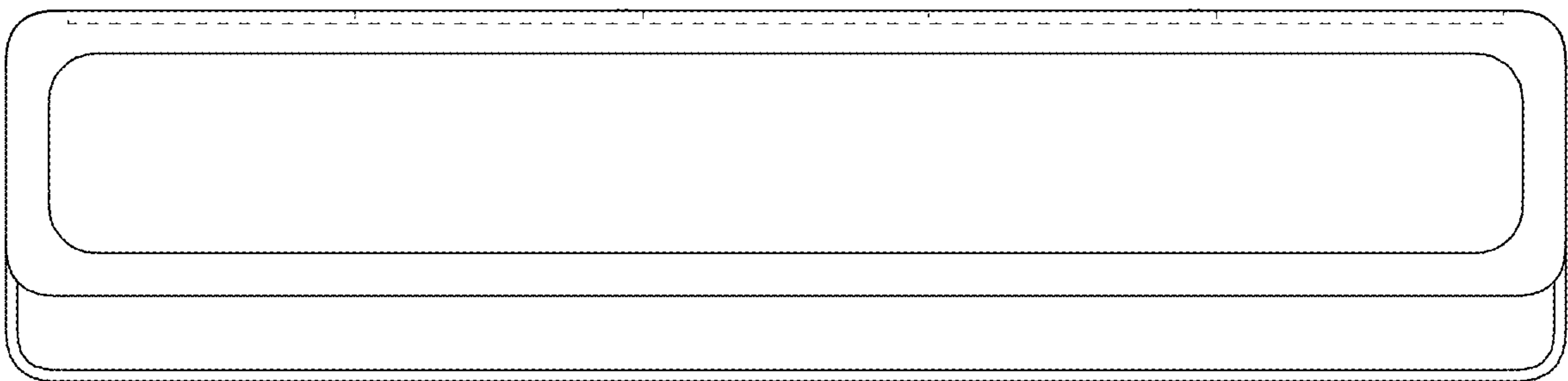


FIG. 16