



US00D938209S

(12) **United States Design Patent** (10) **Patent No.:** **US D938,209 S**  
**Li** (45) **Date of Patent:** **\*\* Dec. 14, 2021**

(54) **TABLE**

D428,741 S \* 8/2000 Hazen ..... D6/692.1  
D876,864 S \* 3/2020 He ..... D6/692.4  
D917,905 S \* 5/2021 Li ..... D6/352

(71) Applicant: **39F USA INC**, Rancho Cucamonga, CA (US)

(72) Inventor: **Yuehai Li**, Rancho Cucamonga, CA (US)

(\*\*) Term: **15 Years**

(21) Appl. No.: **29/715,881**

(22) Filed: **Dec. 5, 2019**

(51) **LOC (13) Cl.** ..... **06-03**

(52) **U.S. Cl.**  
USPC ..... **D6/692.4**

(58) **Field of Classification Search**  
USPC .... D6/349, 685, 686, 690, 692, 692.1–692.6  
CPC ..... A47B 7/00; A47B 13/00; A47B 13/003;  
A47B 13/02; A47B 13/023; A47B 13/04;  
A47B 13/06; A47B 13/08; A47B 13/01;  
A47B 13/12; A47B 2013/024; A47B  
21/00; A47B 2200/0001; A47B  
2200/0011; A47B 2200/002; A47B  
2200/0021

See application file for complete search history.

(56) **References Cited**

**U.S. PATENT DOCUMENTS**

D222,624 S \* 11/1971 Gianagna ..... D6/692.6  
D247,402 S \* 3/1978 Cohen ..... D6/680.3  
D258,104 S \* 2/1981 Baker ..... D6/692  
D295,243 S \* 4/1988 Oto ..... D6/692.6  
D367,785 S \* 3/1996 Lewis ..... D6/692

**OTHER PUBLICATIONS**

Toronto Espresso Round Coffee Table—Terra Nova Designs <https://terranovadesigns.com/product/toronto-espresso-rd-coffee-table/> retrieved from the internet on Jun. 23, 2021.\*  
Dunkin 38 Inch Round Coffee Table—Living Spaces <https://www.livingspaces.com/pdp-dunkin-30-inch-round-coffee-table-254051> retrieved from the internet on Jun. 23, 2021.\*

\* cited by examiner

*Primary Examiner* — Mary Ann Calabrese  
(74) *Attorney, Agent, or Firm* — Feng Qian

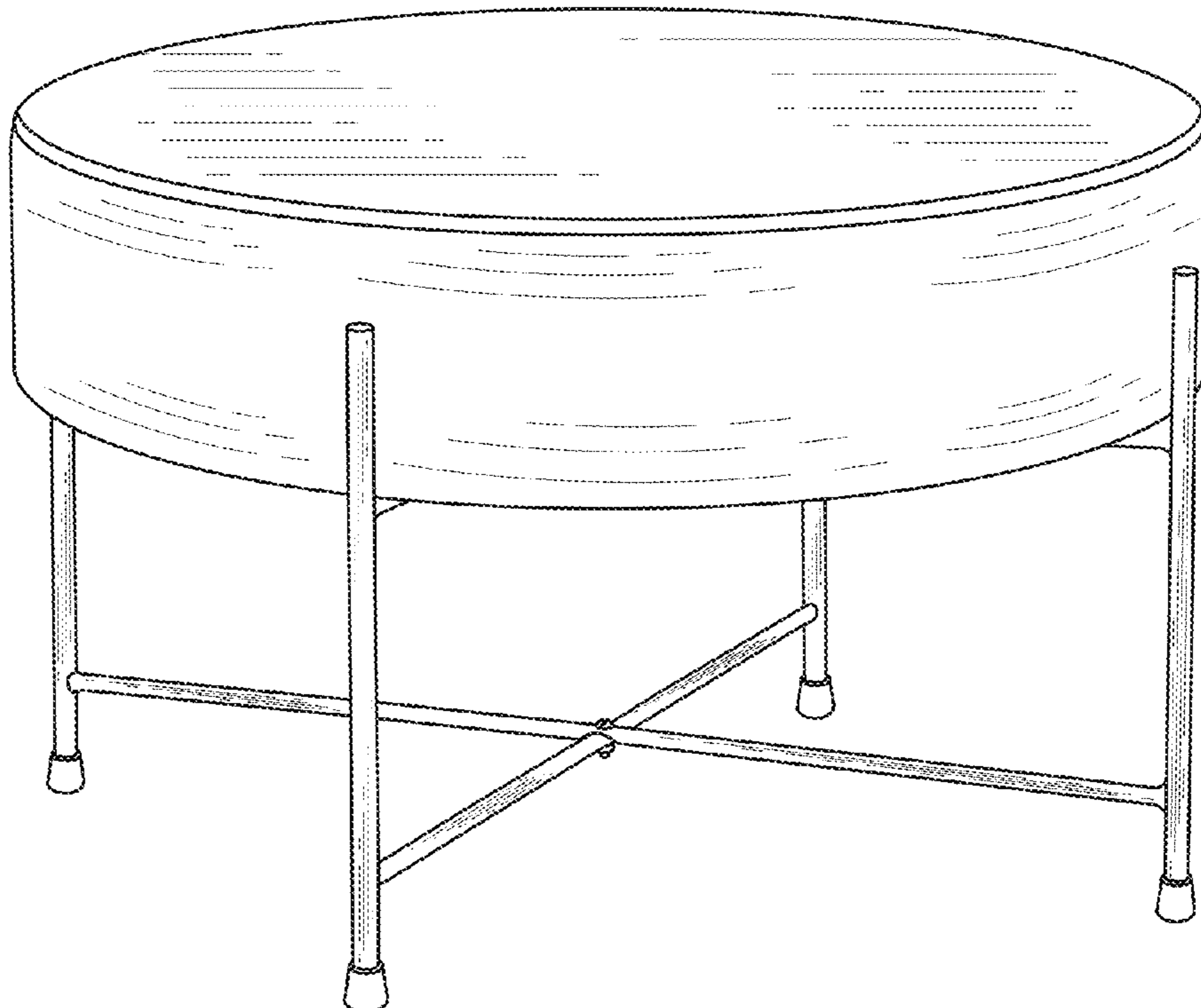
(57) **CLAIM**

The ornamental design for a table, as shown and described.

**DESCRIPTION**

FIG. 1 is a front perspective view of a table showing my new design;  
FIG. 2 is a front elevation view thereof;  
FIG. 3 is a rear elevation view thereof;  
FIG. 4 is a left-side elevation view thereof;  
FIG. 5 is a right-side elevation view thereof;  
FIG. 6 is a top plan view thereof; and,  
FIG. 7 is a bottom plan view thereof.  
In the drawings, the broken lines show portions of the table that form no part of the claimed design.

**1 Claim, 7 Drawing Sheets**



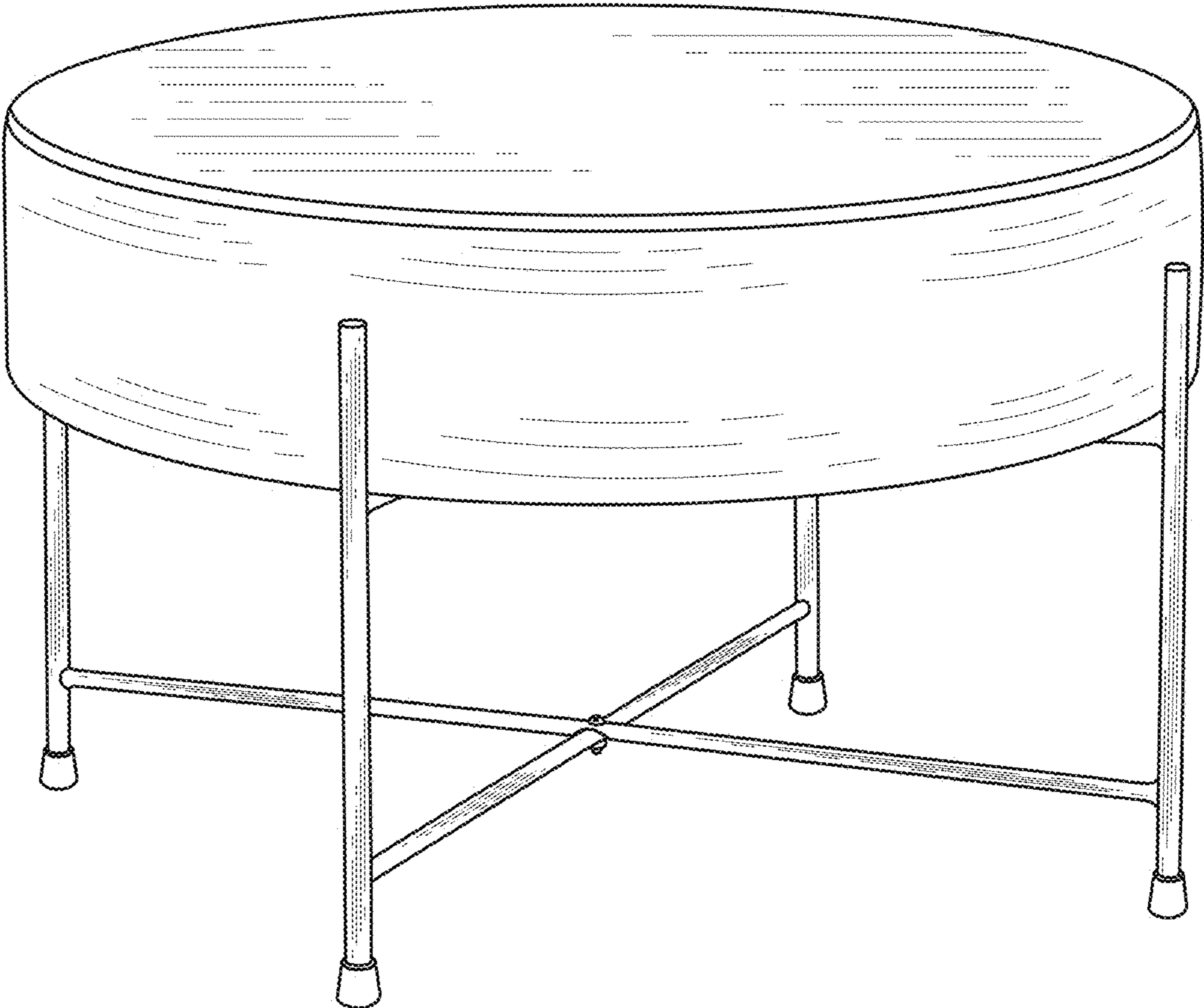


Fig. 1

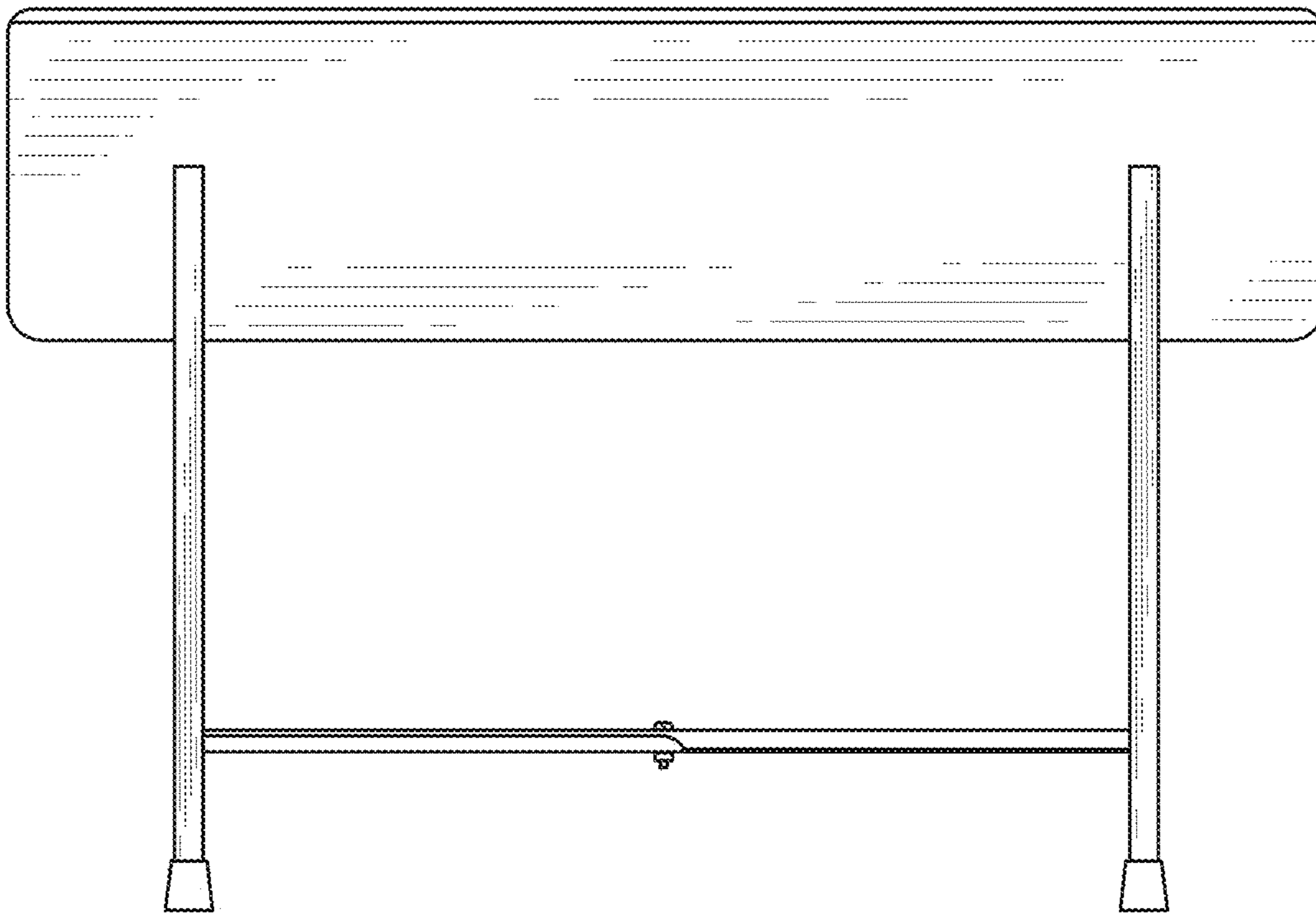


Fig. 2

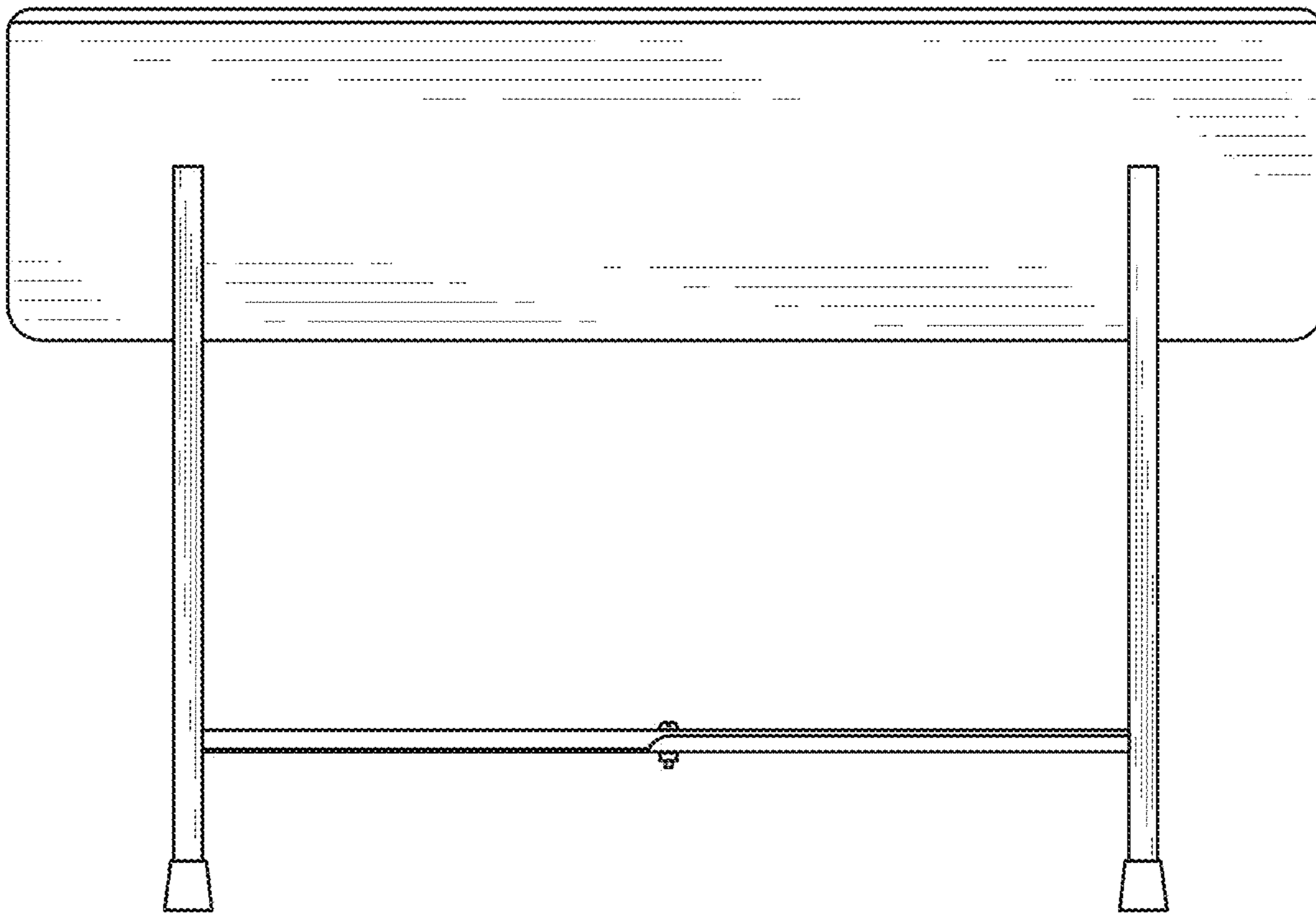


Fig. 3

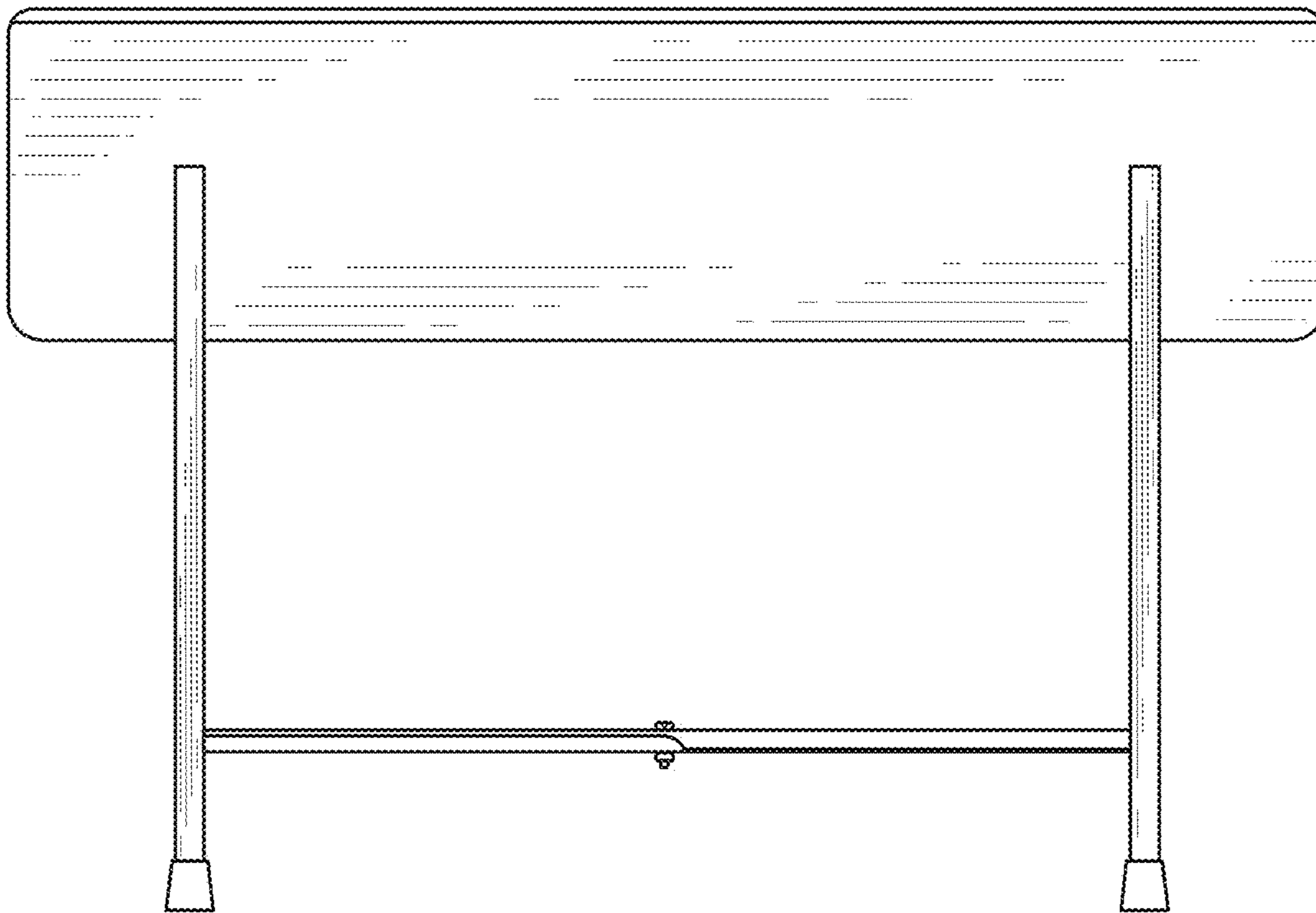


Fig. 4

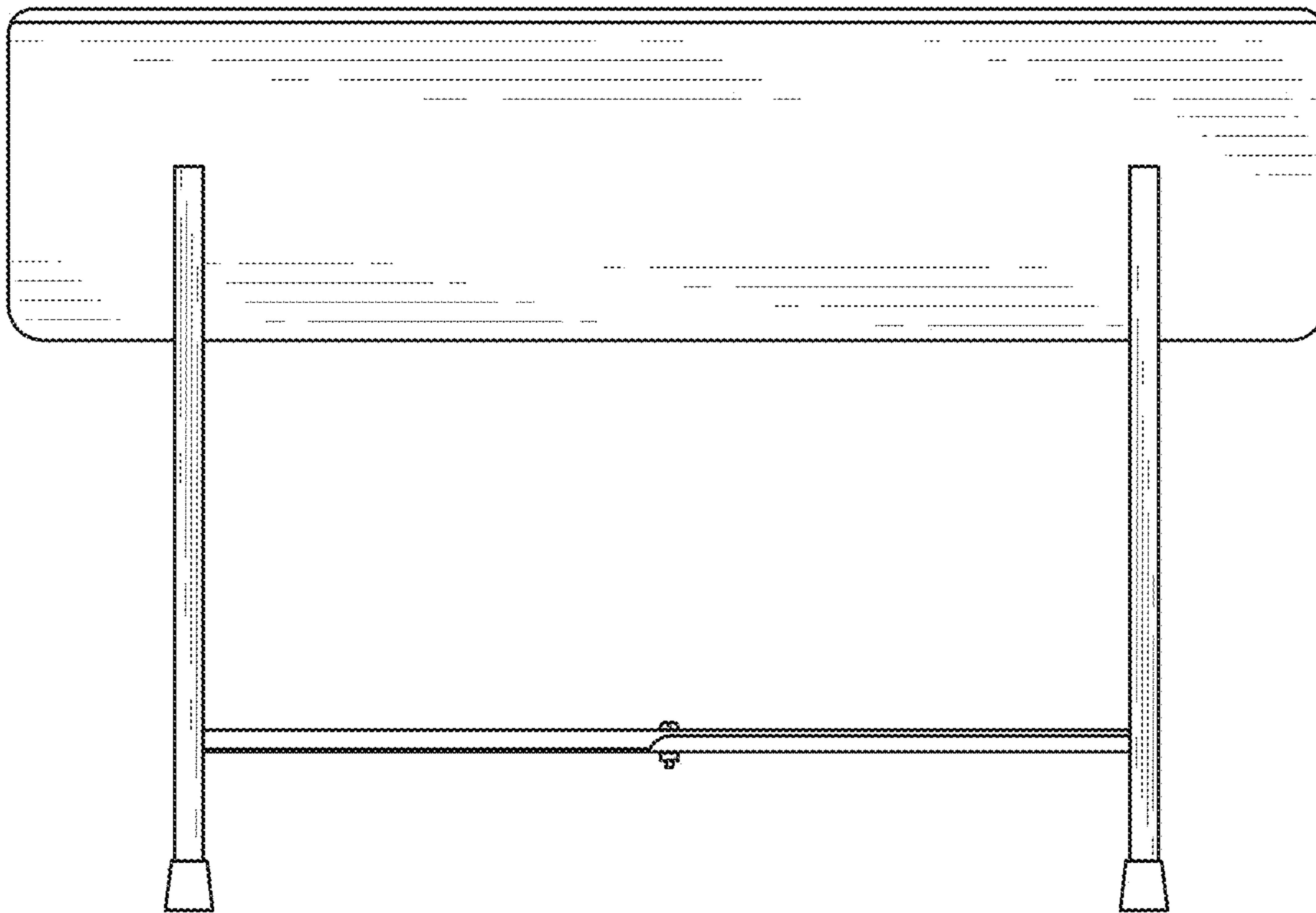


Fig. 5

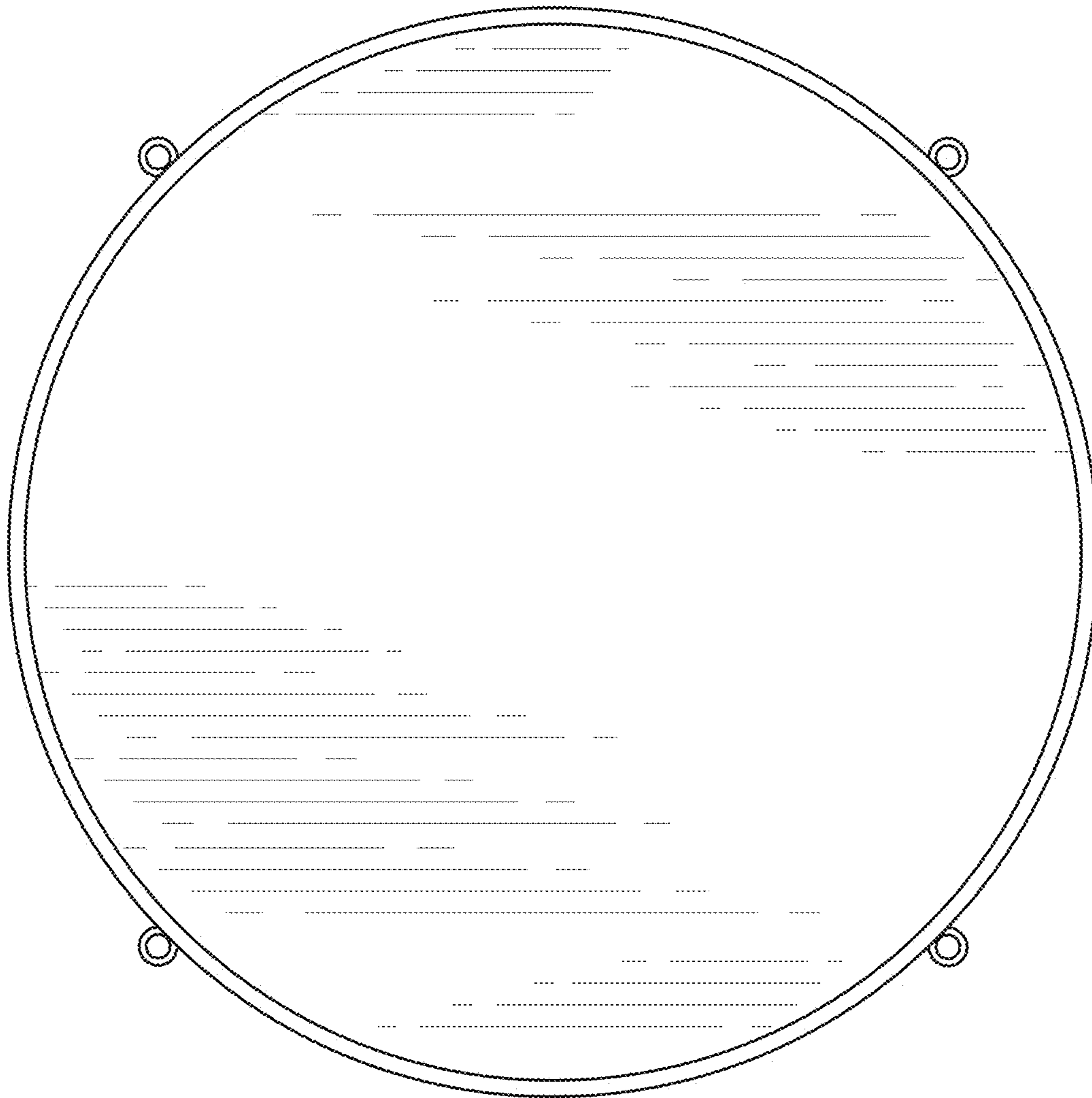


Fig. 6

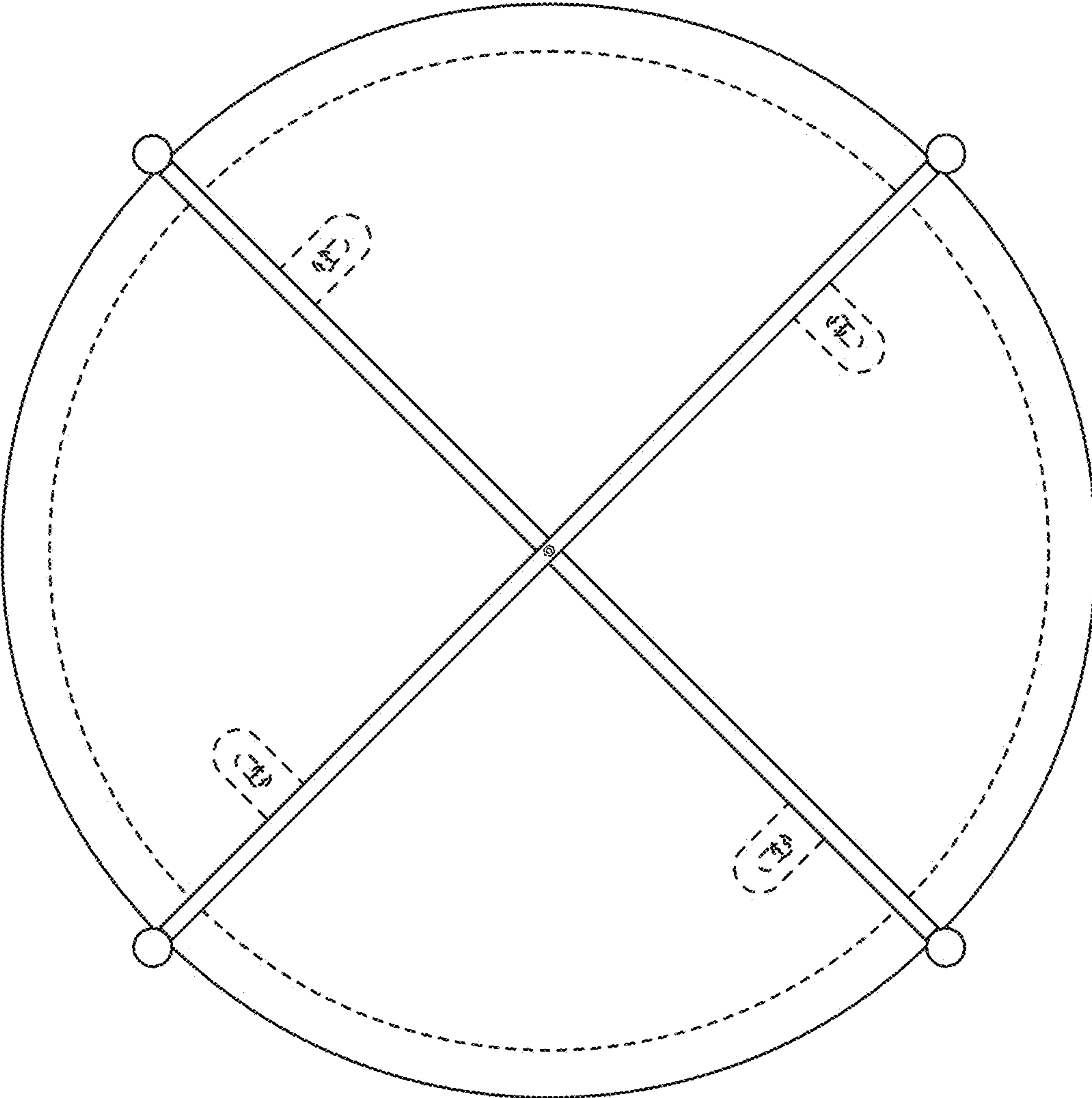


Fig. 7