



US00D938208S

(12) **United States Design Patent** (10) **Patent No.:** **US D938,208 S**
Li (45) **Date of Patent:** **** Dec. 14, 2021**

(54) **TABLE**
(71) Applicant: **39F USA INC**, Rancho Cucamonga, CA (US)
(72) Inventor: **Yuehai Li**, Rancho Cucamonga, CA (US)
(**) Term: **15 Years**
(21) Appl. No.: **29/711,775**
(22) Filed: **Nov. 2, 2019**
(51) **LOC (13) Cl.** **06-03**
(52) **U.S. Cl.**
USPC **D6/692.4**
(58) **Field of Classification Search**
USPC D6/349, 685–687, 690, 692, 692.1–692.6
CPC A47B 7/00; A47B 13/00; A47B 13/003;
A47B 13/02; A47B 13/023; A47B 13/04;
A47B 13/06; A47B 13/08; A47B 13/01;
A47B 13/12; A47B 2013/024; A47B
21/00; A47B 2200/0001; A47B
2200/0011; A47B 2200/002; A47B
2200/0021
See application file for complete search history.

(56) **References Cited**
U.S. PATENT DOCUMENTS
D237,567 S * 11/1975 Korn D6/692
D306,539 S * 3/1990 Mergenov D6/692.2
D306,540 S * 3/1990 Mergenov D6/692.2
D384,839 S * 10/1997 Muller D6/692
D404,594 S * 1/1999 Muller D6/691.3

D457,355 S * 5/2002 Wistehuff, Sr. D6/692
D492,512 S * 7/2004 Domack D6/692.1
D904,809 S * 12/2020 Li D6/677.1

OTHER PUBLICATIONS

Emilia Oval Tiered Glass Brass Coffee Table—Decor Pad <https://www.decorpad.com/bookmark.htm?bookmarkId=56221> retrieved from the internet on Jun. 24, 2021.*
Merricks Olval Coffee Table by Gobe West—Life Interiors <https://lifeinteriors.com.au/products/globe-west-merricks-oval-coffee-table> retrieved from the internet on Jun. 24, 2021.*

* cited by examiner

Primary Examiner — Mary Ann Calabrese
(74) *Attorney, Agent, or Firm* — Feng Qian

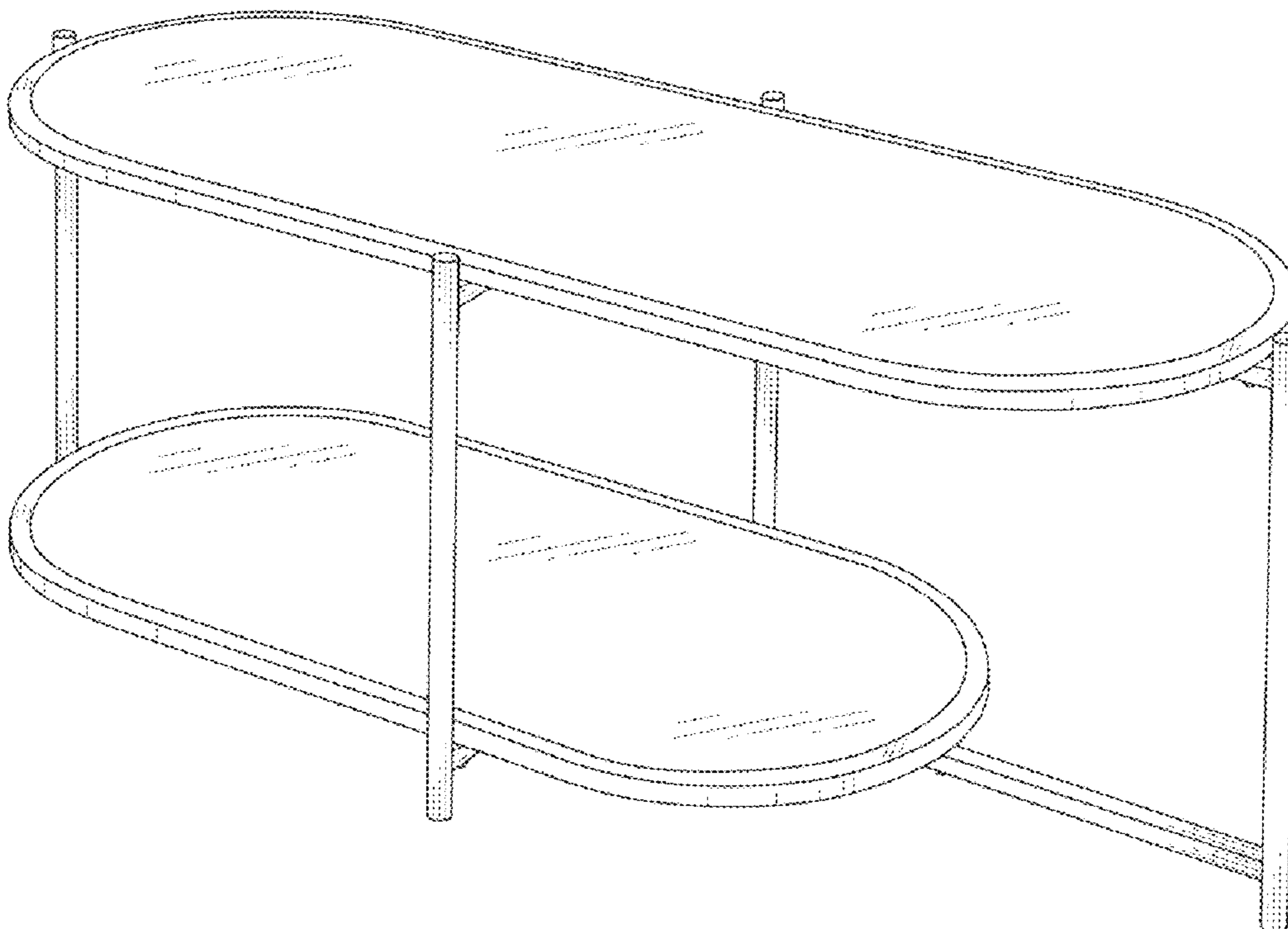
(57) **CLAIM**

The ornamental design for a table, as shown and described.

DESCRIPTION

FIG. 1 is a front perspective view of a table showing my new design;
FIG. 2 is a front elevation view thereof;
FIG. 3 is a rear elevation view thereof;
FIG. 4 is a left-side elevation view thereof;
FIG. 5 is a right-side elevation view thereof;
FIG. 6 is a top plan view thereof; and,
FIG. 7 is a bottom plan view thereof.
The broken lines shown in the drawings are for the purpose of illustrating portions of the article, and form no part of the claimed design.

1 Claim, 7 Drawing Sheets



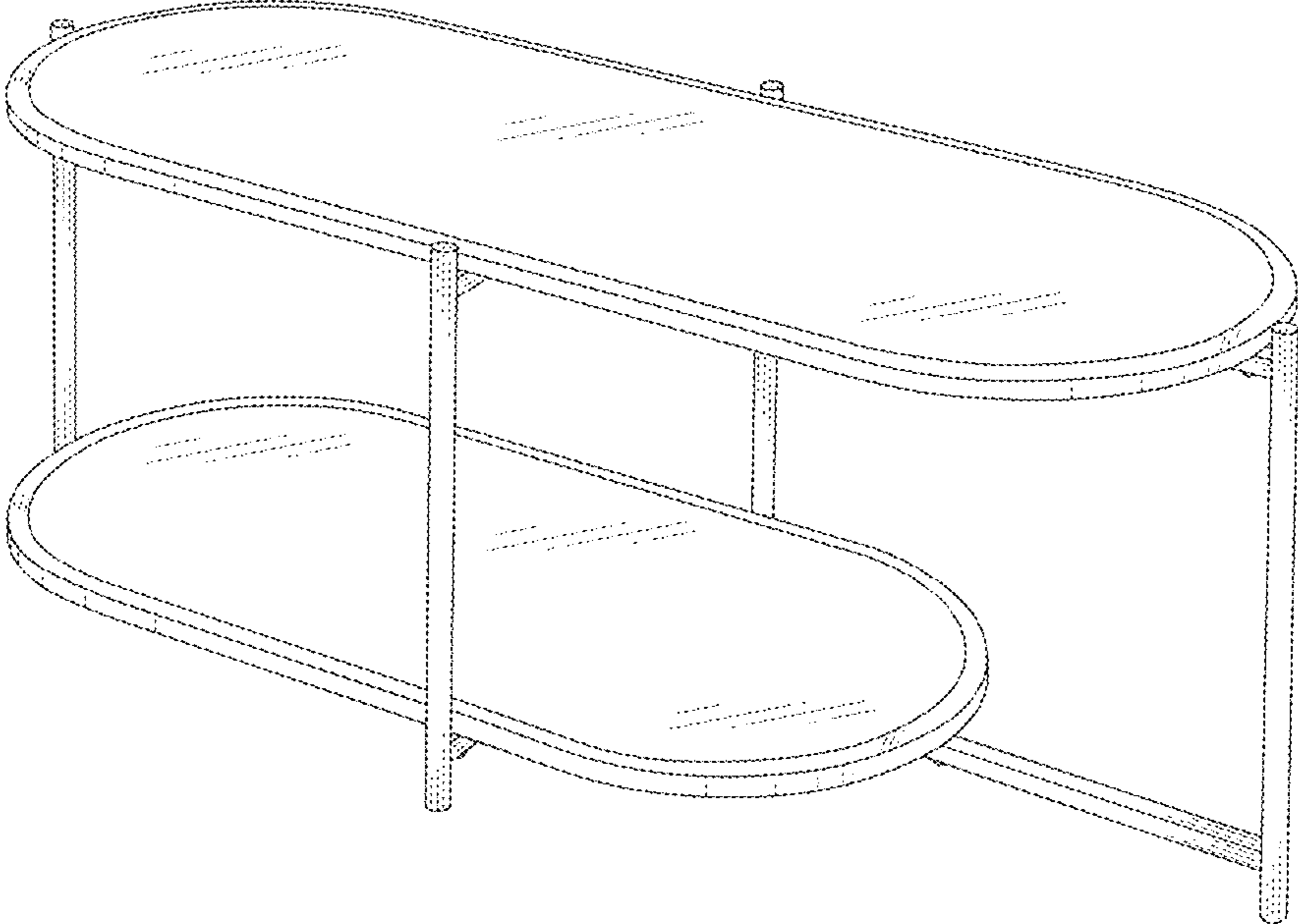


Fig.1

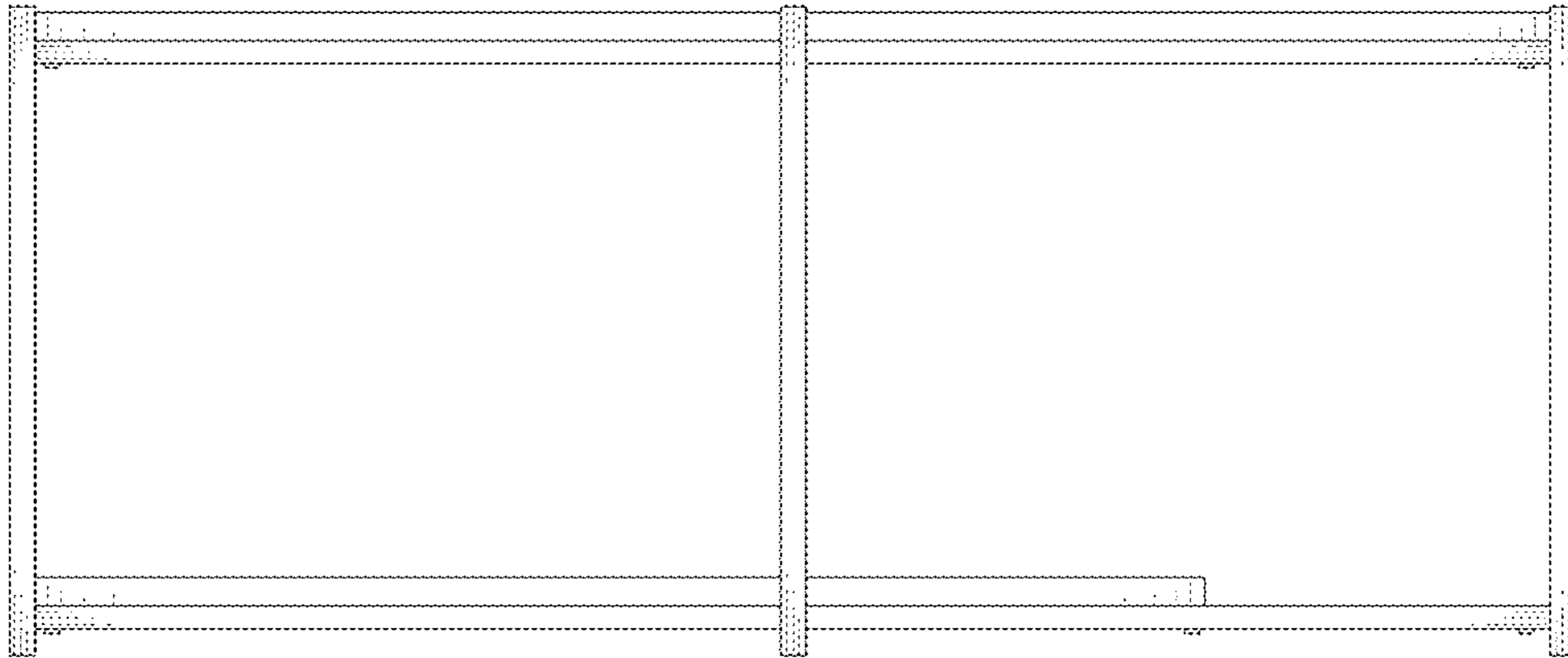


Fig.2

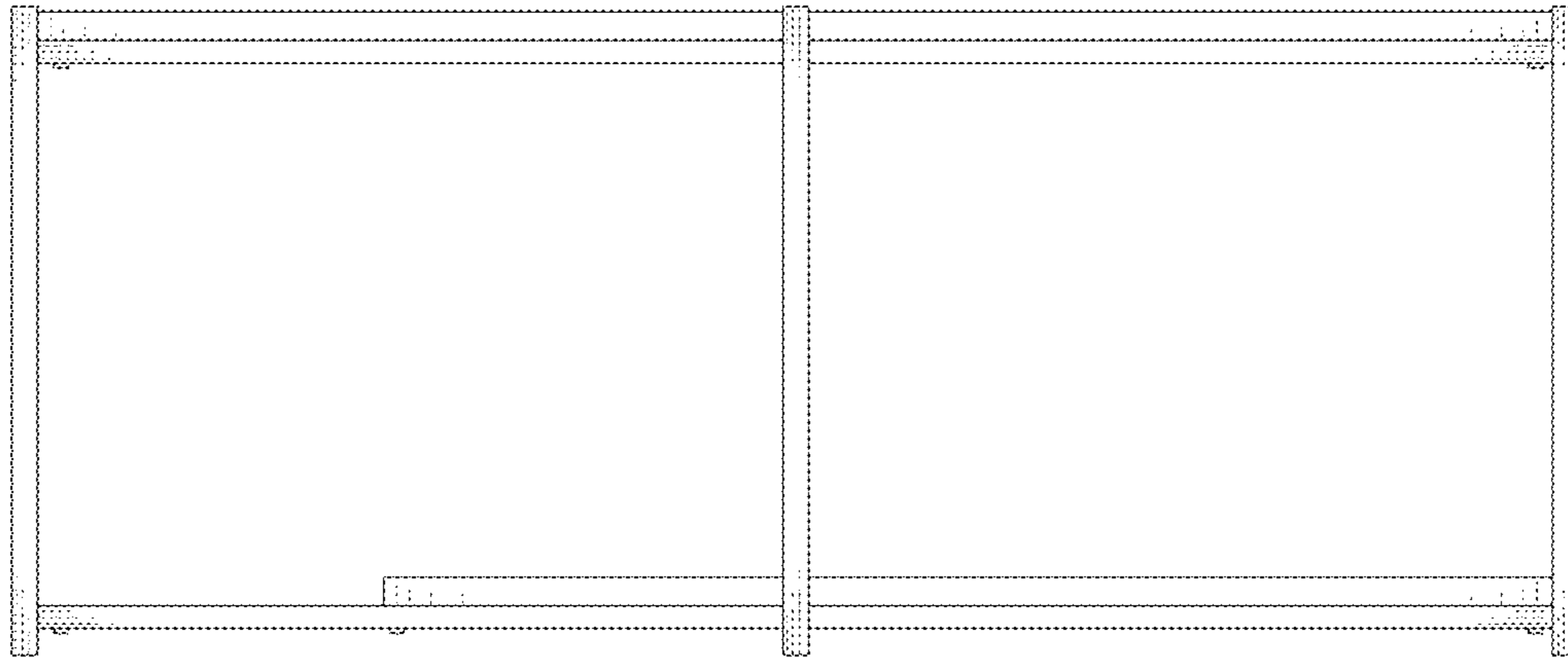


Fig.3

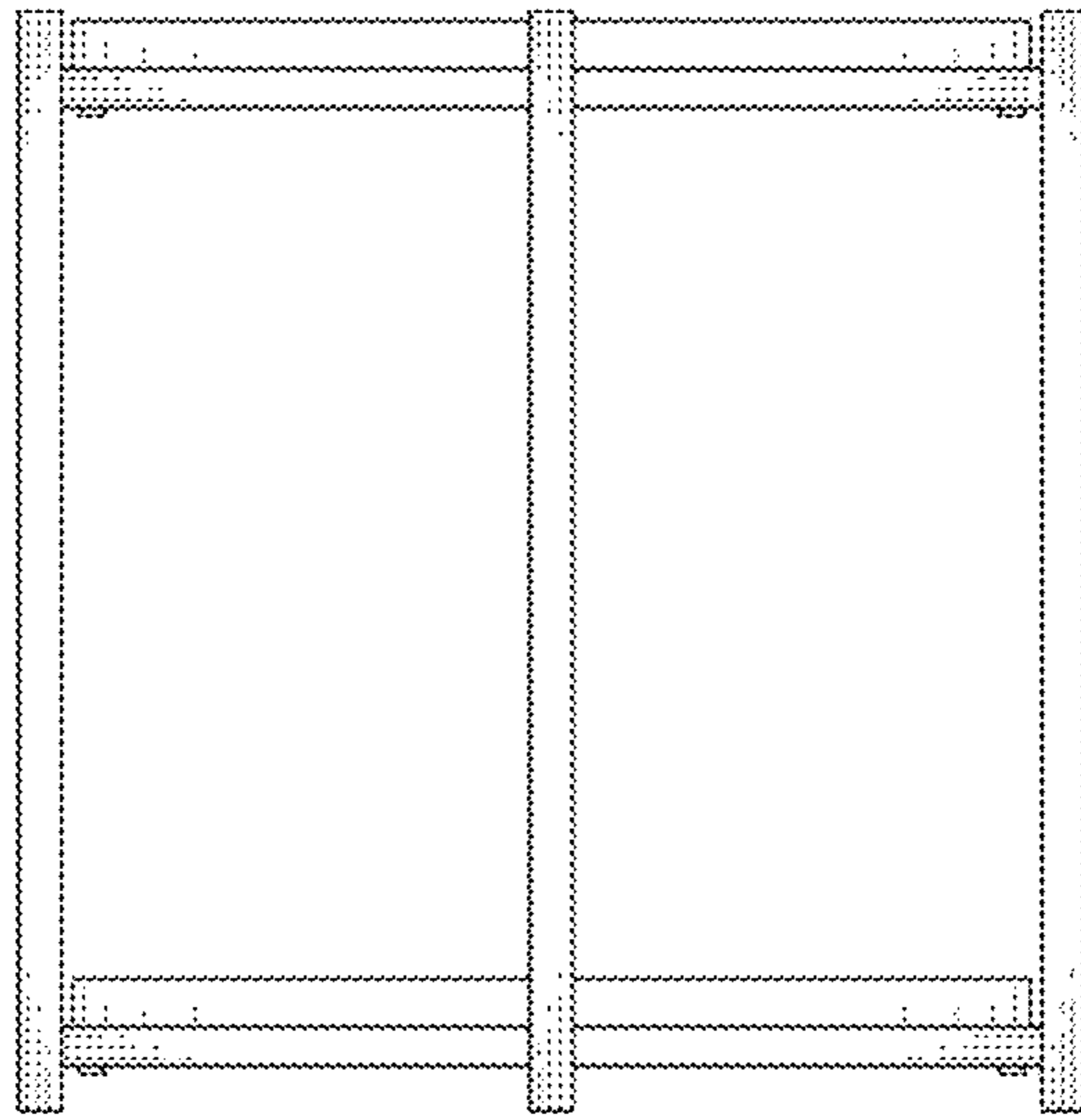


Fig.4

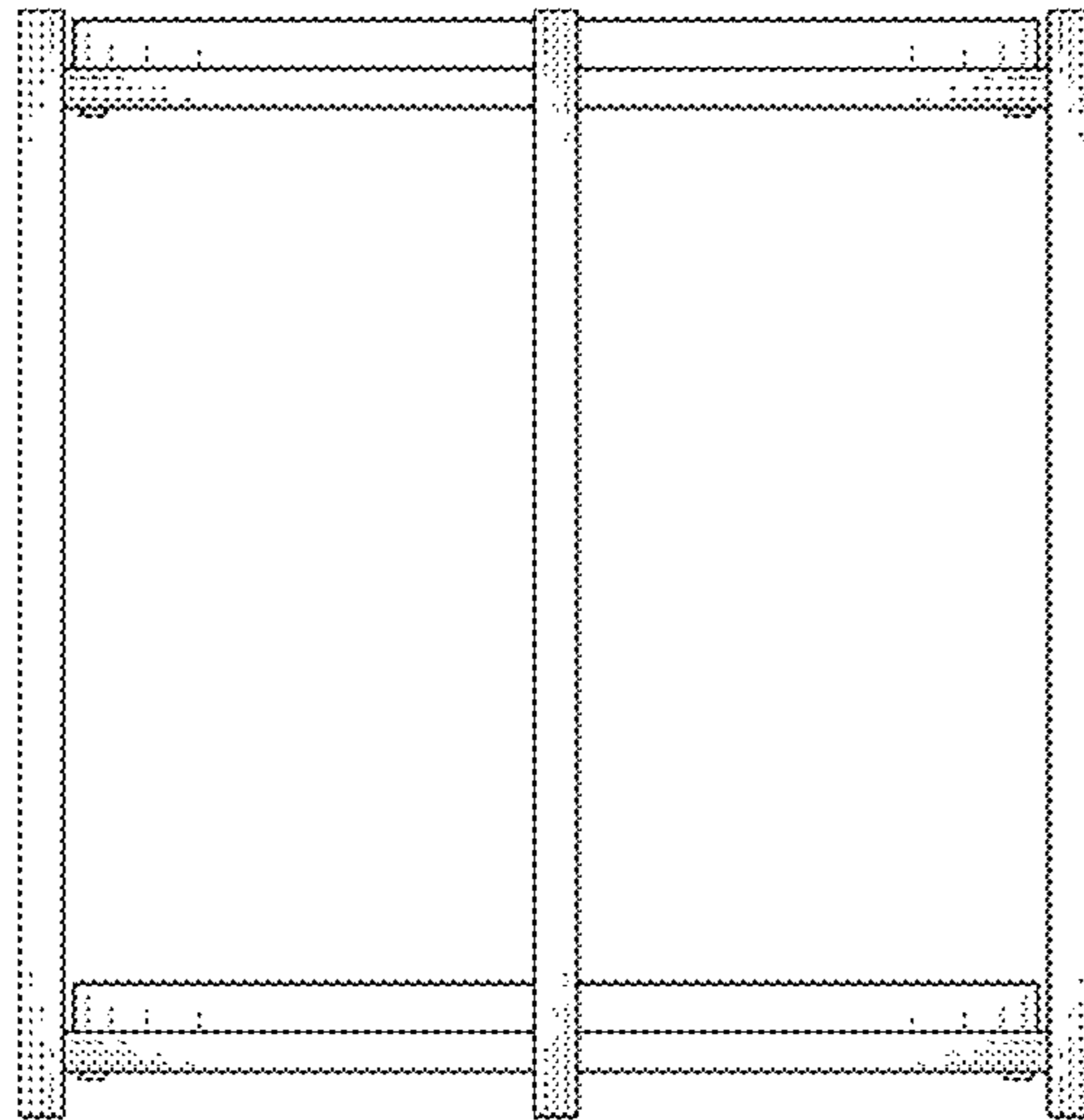


Fig.5

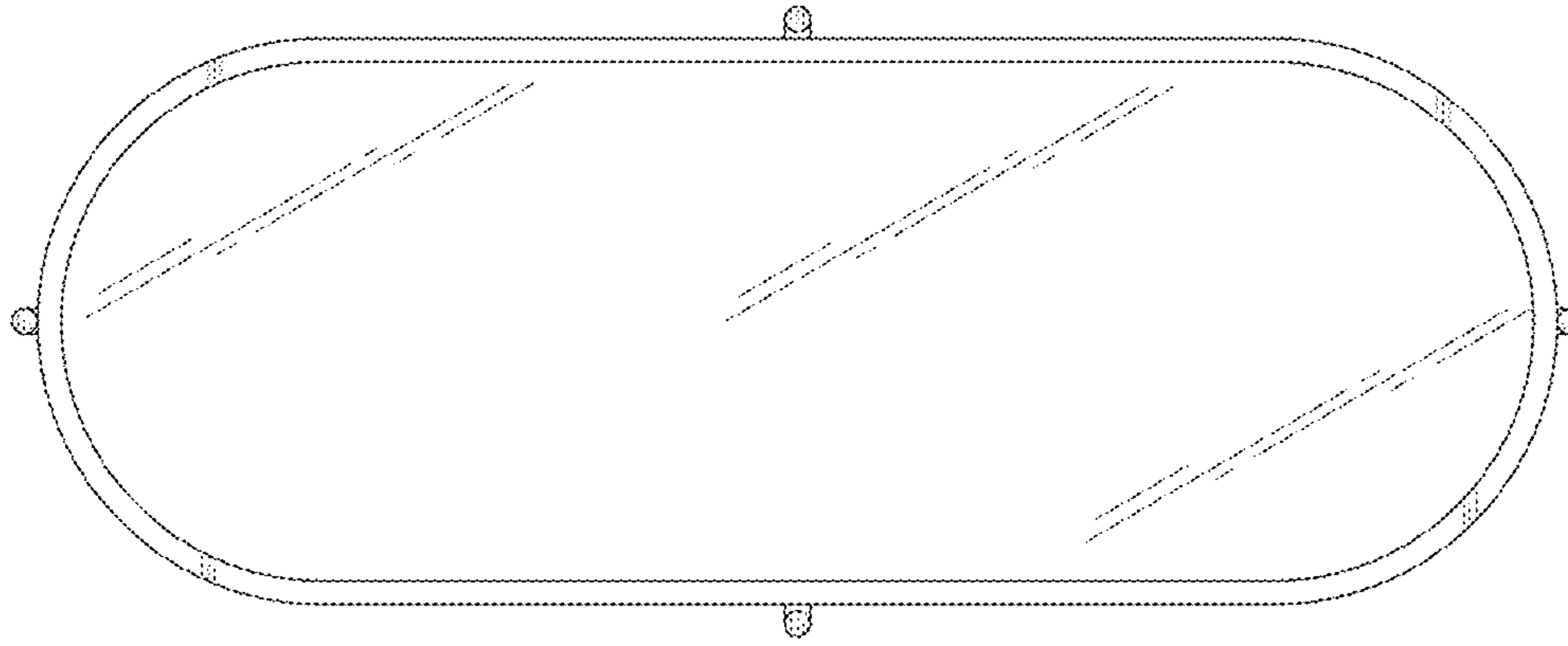


Fig.6

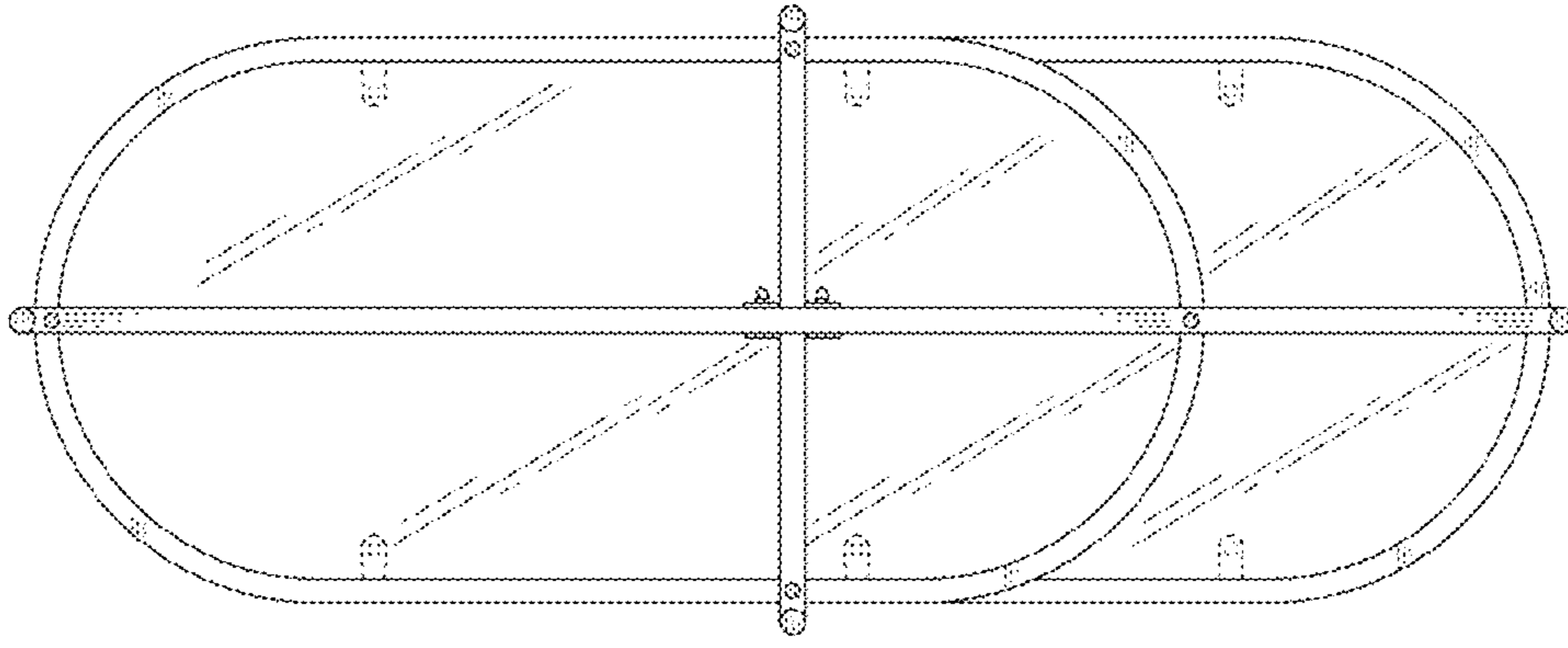


Fig.7