



US00D938207S

(12) **United States Design Patent**
Long

(10) **Patent No.:** **US D938,207 S**

(45) **Date of Patent:** **** Dec. 14, 2021**

(54) **FOLDABLE TABLE**

(74) *Attorney, Agent, or Firm* — ScienBiziP, P.C.

(71) Applicant: **Hangzhou Longchuang Youpin Intelligent Tech Co., Ltd.**, Zhejiang (CN)

(57) **CLAIM**

The ornamental design for a foldable table, as shown and described.

(72) Inventor: **Changhe Long**, Zhejiang (CN)

(73) Assignee: **Hangzhou Longchuang Youpin Intelligent Tech Co., Ltd.**, Zhejiang (CN)

DESCRIPTION

(**) Term: **15 Years**

FIG. 1 is a front, left, and top perspective view of a foldable table, showing my design.

FIG. 2 is a rear, right, and bottom perspective view thereof.

FIG. 3 is a front elevation view thereof.

FIG. 4 is a rear elevation view thereof.

FIG. 5 is a left side elevation view thereof.

FIG. 6 is a right side elevation view thereof.

FIG. 7 is a top plan view thereof.

FIG. 8 is a bottom plan view thereof.

FIG. 9 is a perspective view of the foldable table of FIG. 1 wherein two of the foldable tables are attached.

FIG. 10 is a perspective view of the foldable table of FIG. 1 shown in an alternate configuration where two tabletops and one foldable table are combined.

FIG. 11 is a perspective view of the foldable table of FIG. 1 shown in an alternate configuration where one tabletop and two foldable tables are combined.

FIG. 12 is a perspective view of the foldable table of FIG. 1 shown in an alternate configuration where one tabletop and two foldable tables are combined.

FIG. 13 is a perspective view of the foldable table of FIG. 1 shown in an alternate configuration where two tabletops and two foldable tables are combined.

FIG. 14 is a perspective view of the foldable table of FIG. 1 shown in an alternate configuration where three tabletops and two foldable tables are combined.

FIG. 15 is a perspective view of the foldable table of FIG. 1 shown in an alternate configuration where four tabletops and two foldable tables are combined.

FIG. 16 is a perspective view of the foldable table of FIG. 1 shown in an alternate configuration where six tabletops and one foldable table are combined.

FIG. 17 is a perspective view of an isolated tabletop of the foldable table of FIG. 1 wherein a lid of the tabletop is open.

(Continued)

(21) Appl. No.: **29/769,151**

(22) Filed: **Feb. 3, 2021**

(30) **Foreign Application Priority Data**

Feb. 1, 2021 (CN) 202130073096.5

(51) **LOC (13) Cl.** **06-03**

(52) **U.S. Cl.**
USPC **D6/686**; D6/695.1; D6/695.2

(58) **Field of Classification Search**
USPC D6/349, 535, 685, 686, 690, 695,
D6/695.1–695.8

(Continued)

(56) **References Cited**

U.S. PATENT DOCUMENTS

3,715,996 A * 2/1973 Rolfshus A47B 3/10
297/311

D282,322 S * 1/1986 Lambiase D6/695.2
(Continued)

OTHER PUBLICATIONS

Telescopic Adjustable Height Table—Makers’Eye <http://makerseye.co.uk/telescopic-adjustable-height-table/> retrieved from the internet on Oct. 3, 2021.*

Primary Examiner — Mary Ann Calabrese

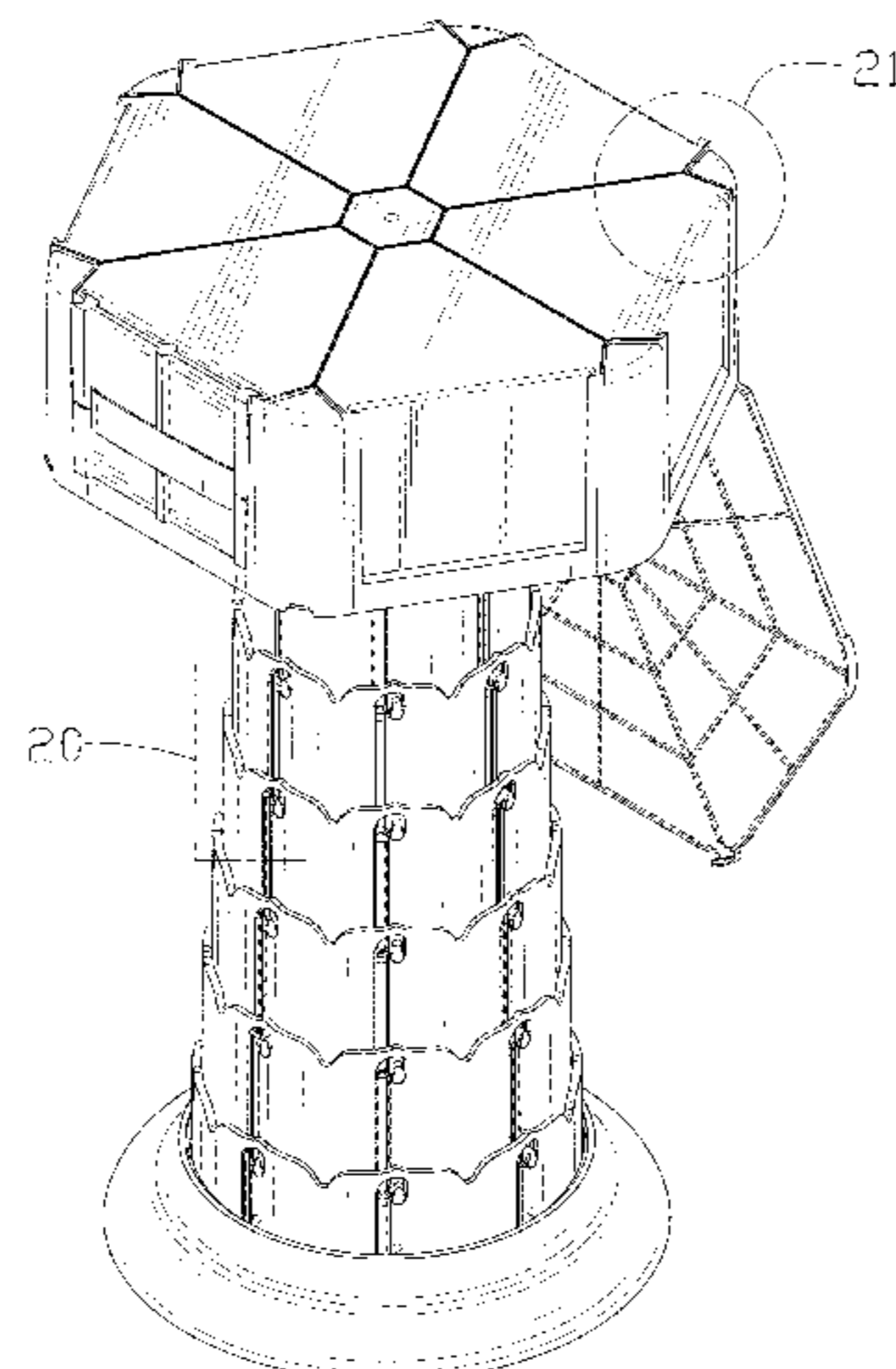


FIG. 18 is a perspective view of an isolated tabletop of the foldable table of FIG. 1 wherein a lid of the tabletop is closed.

FIG. 19 is an exploded view of the foldable table of FIG. 1.

FIG. 20 is an enlarged detailed view of the area labeled 20 in FIG. 1.

FIG. 21 is an enlarged detailed view of the area labeled 21 in FIG. 1; and,

FIG. 22 is an enlarged detailed view of the area labeled 22 in FIG. 2.

The broken lines shown in the drawings show portions of the foldable table and illustrate environment that form no part of the claimed design.

1 Claim, 22 Drawing Sheets

(58) **Field of Classification Search**

CPC A47B 7/00; A47B 13/00; A47B 13/02;
A47B 13/023; A47B 13/04; A47B 13/06;

A47B 13/08; A47B 13/10; A47B 13/12;
A47B 21/00; A47B 2200/0001; A47B
2200/0011; A47B 2200/002

See application file for complete search history.

(56)

References Cited

U.S. PATENT DOCUMENTS

D285,760	S	*	9/1986	Milling	D6/695.2
D306,108	S	*	2/1990	Grosfillex	A47C 7/004 108/150
D873,042	S	*	1/2020	Dai	D6/353
D878,067	S	*	3/2020	You	D6/353
D891,798	S	*	8/2020	Dai	A47B 3/10 D6/353
D893,204	S	*	8/2020	Dai	D6/353
D899,117	S		10/2020	Dai		
D906,742	S		1/2021	Dai		
D918,609	S	*	5/2021	Zhao	D6/353
2020/0015592	A1	*	1/2020	Zaifman	A47C 7/004

* cited by examiner

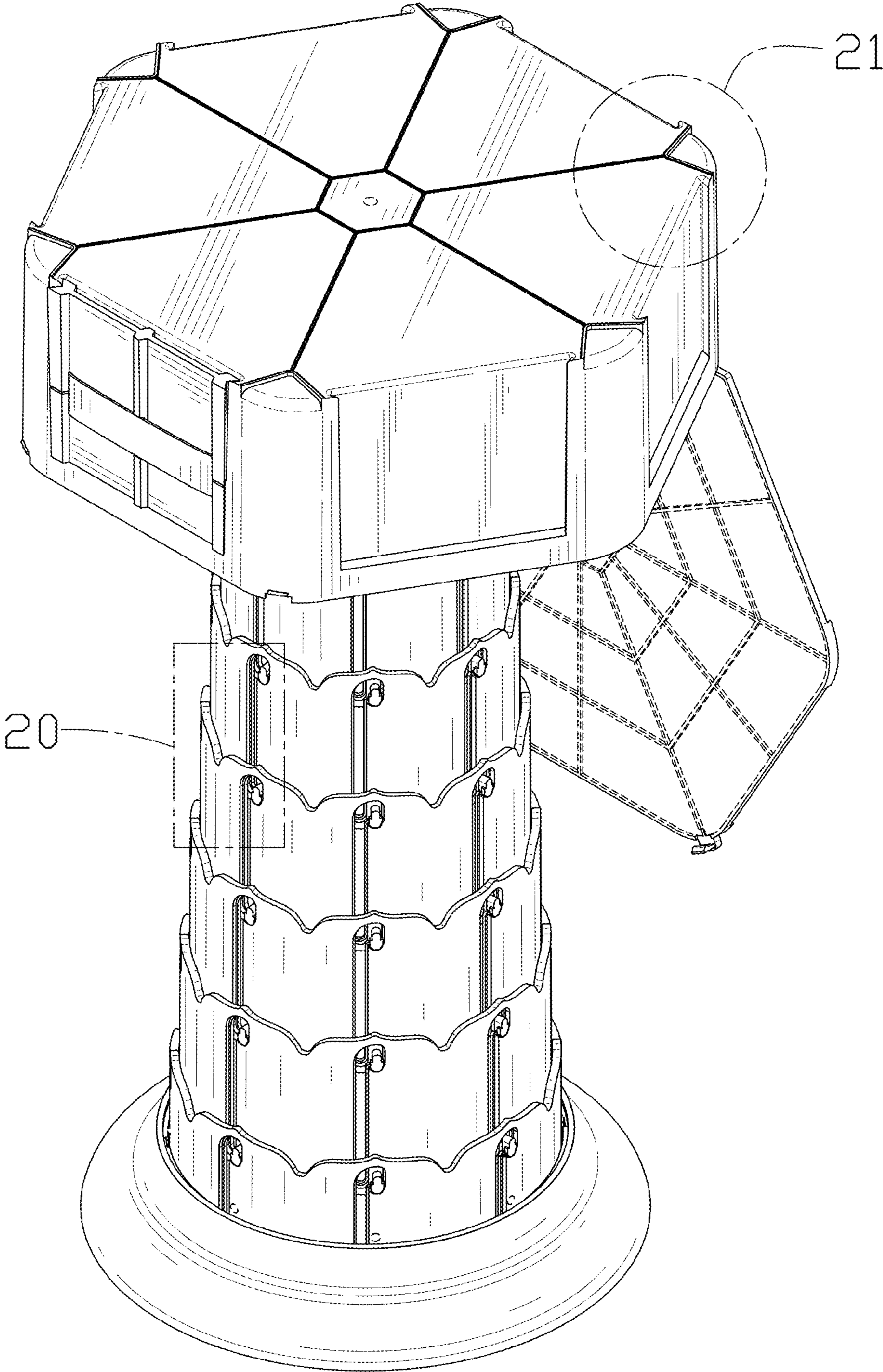


FIG. 1

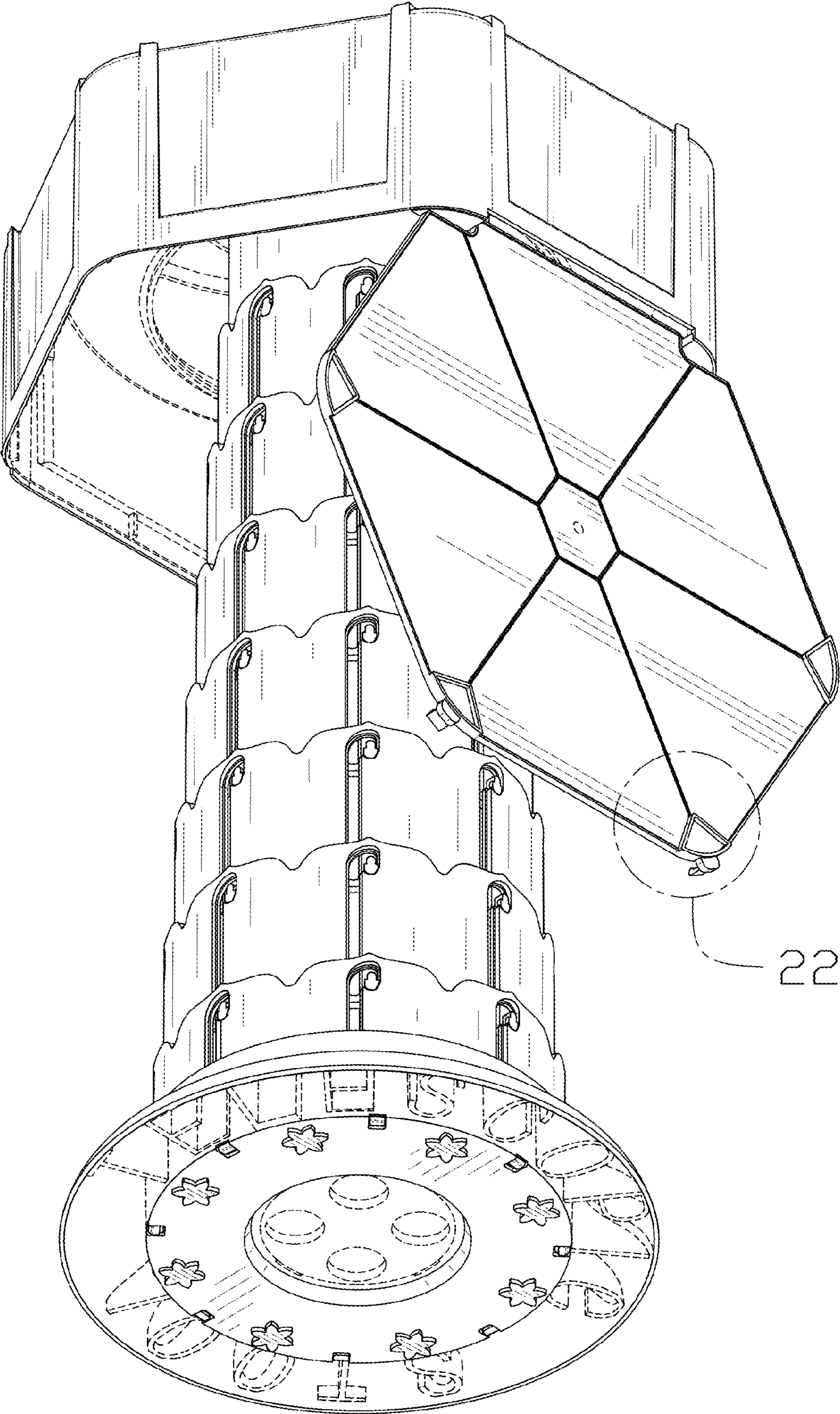


FIG. 2

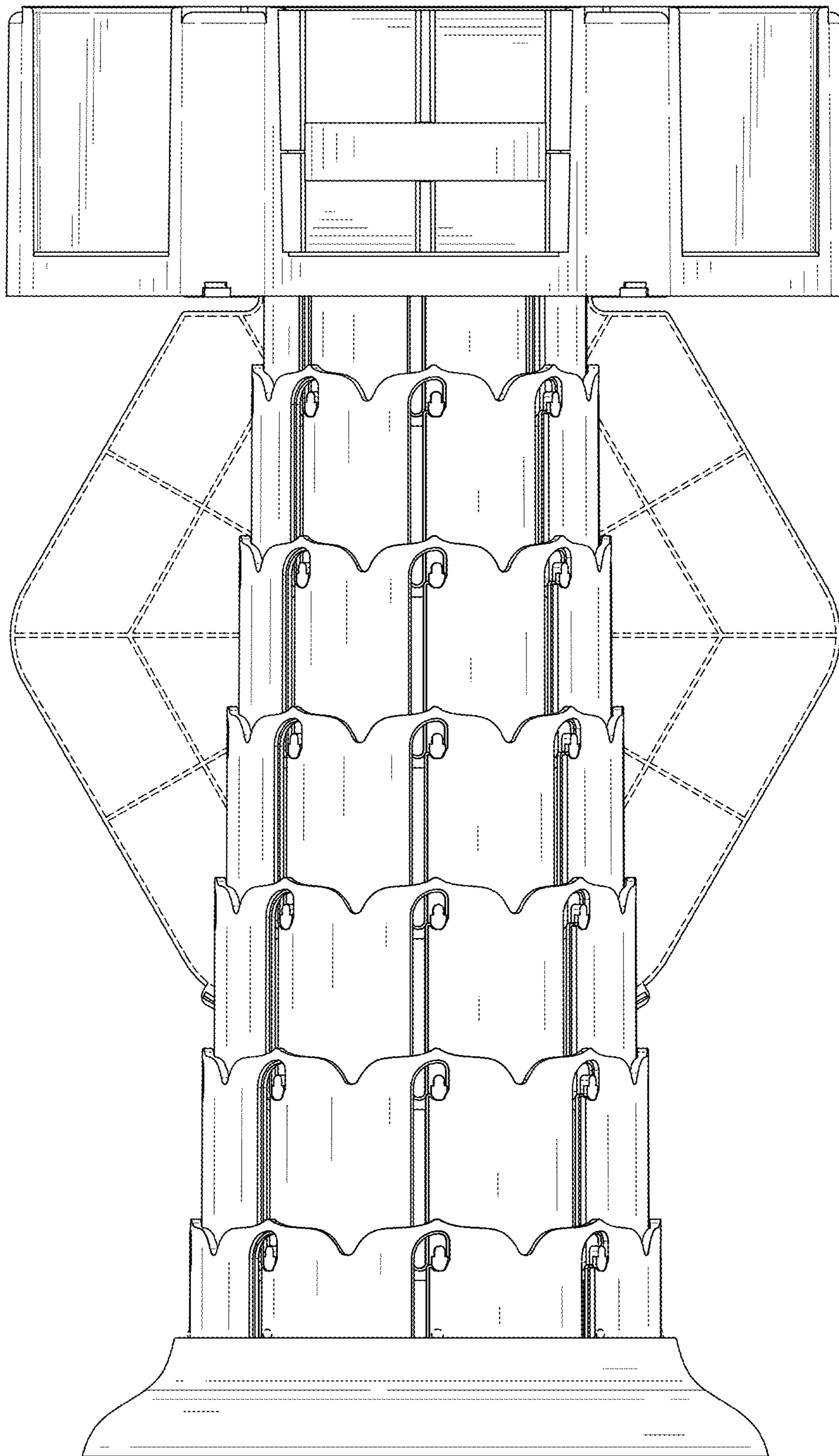


FIG. 3

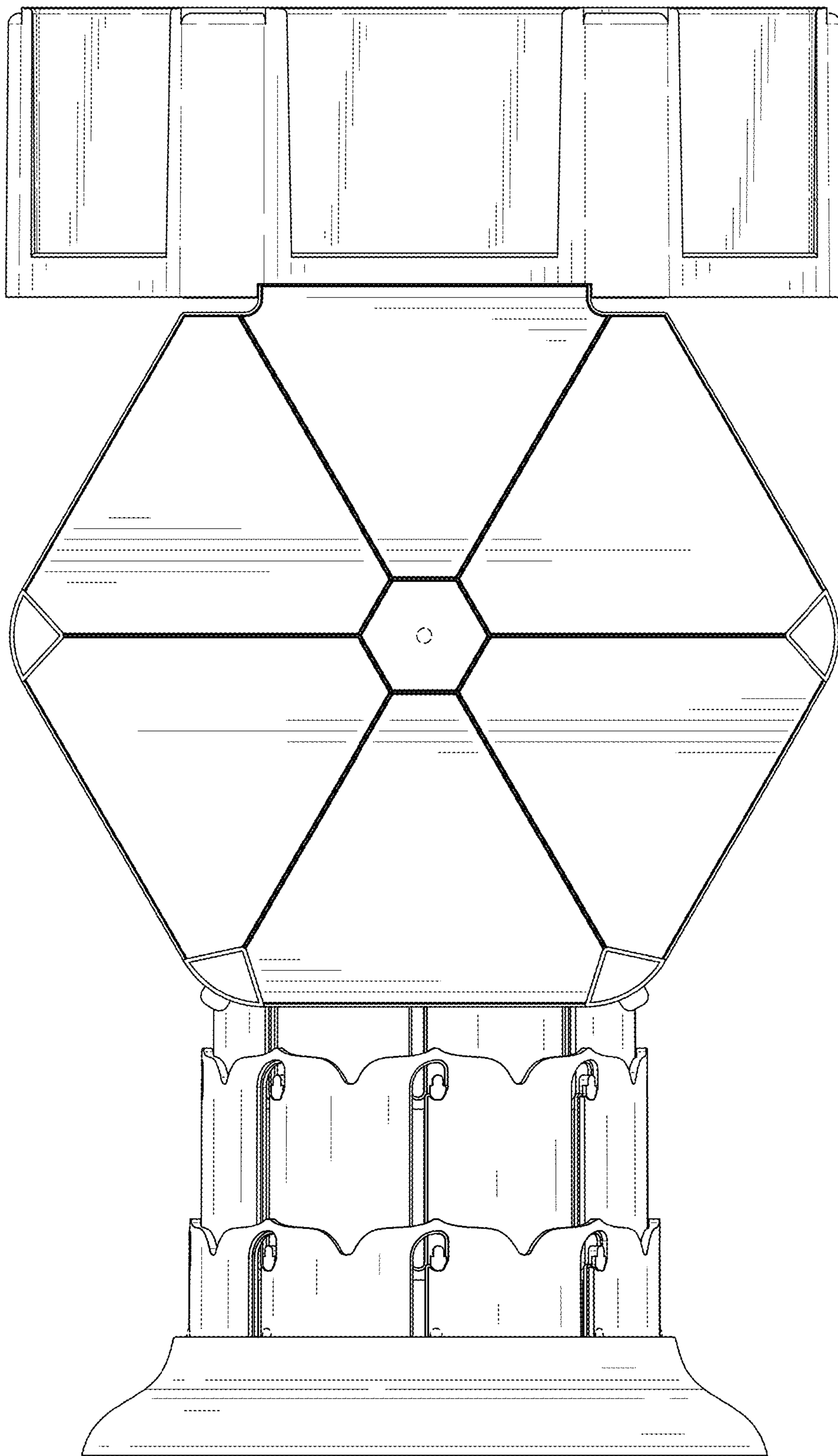


FIG. 4

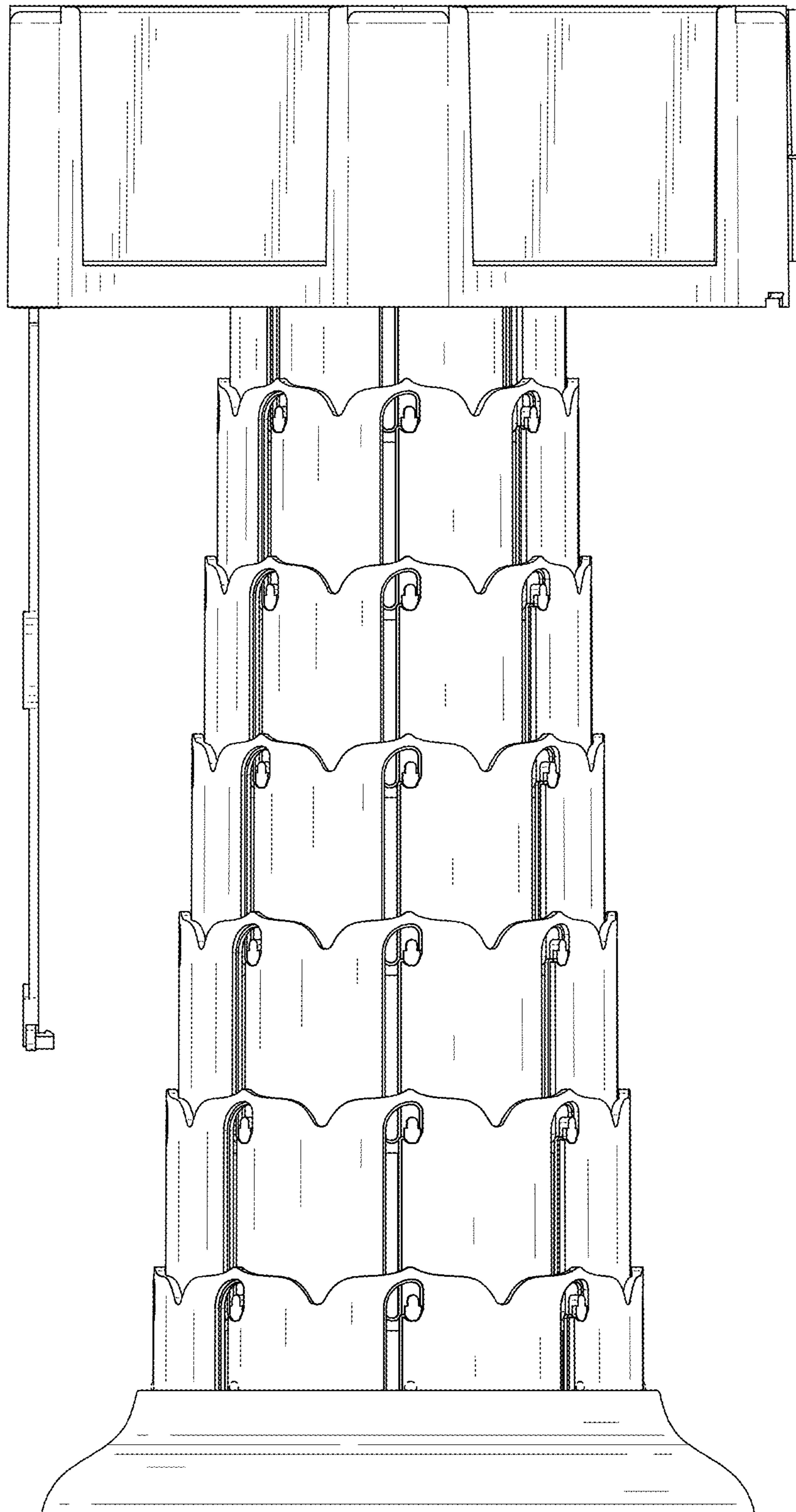


FIG. 5

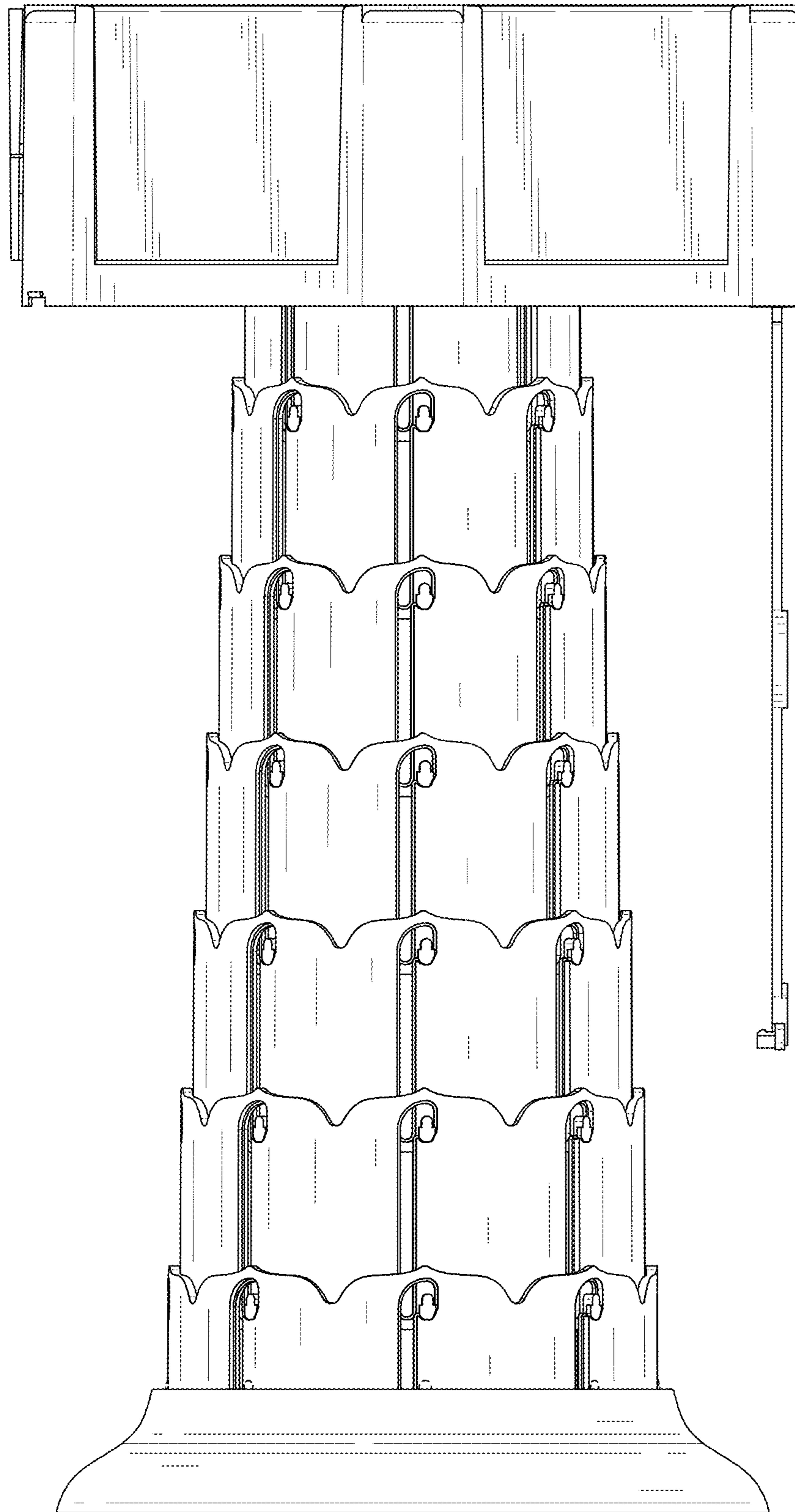


FIG. 6

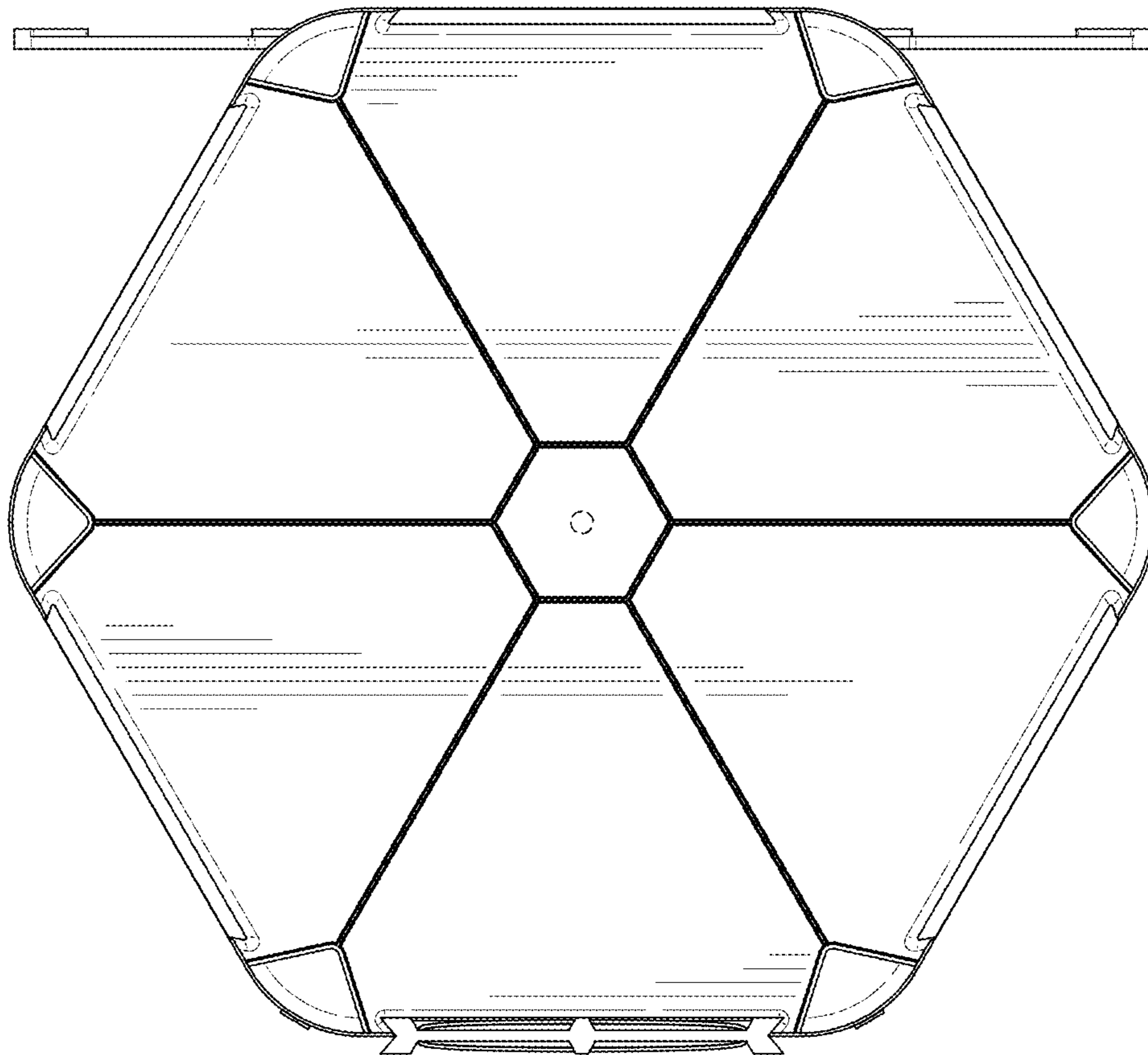


FIG. 7

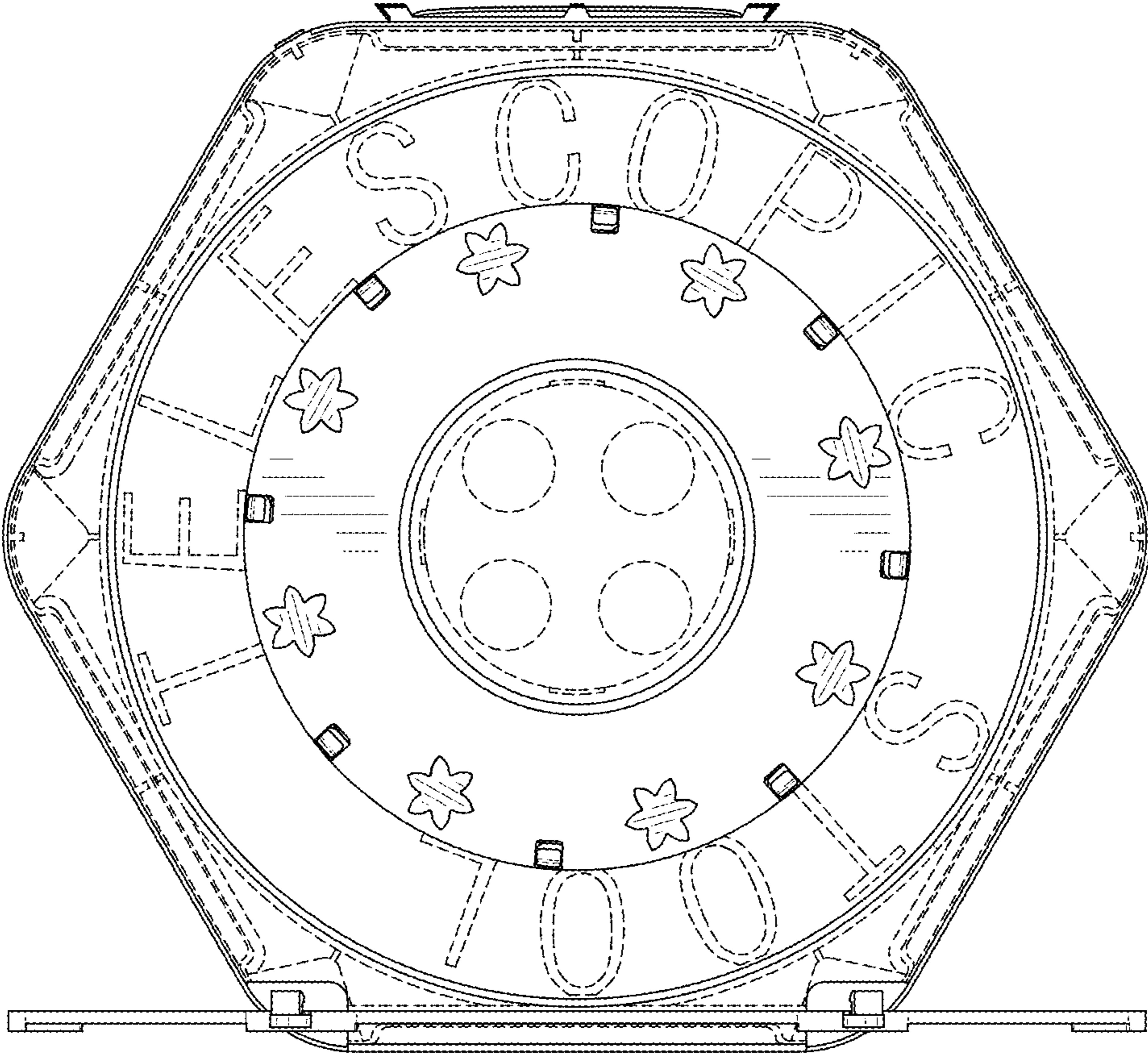


FIG. 8

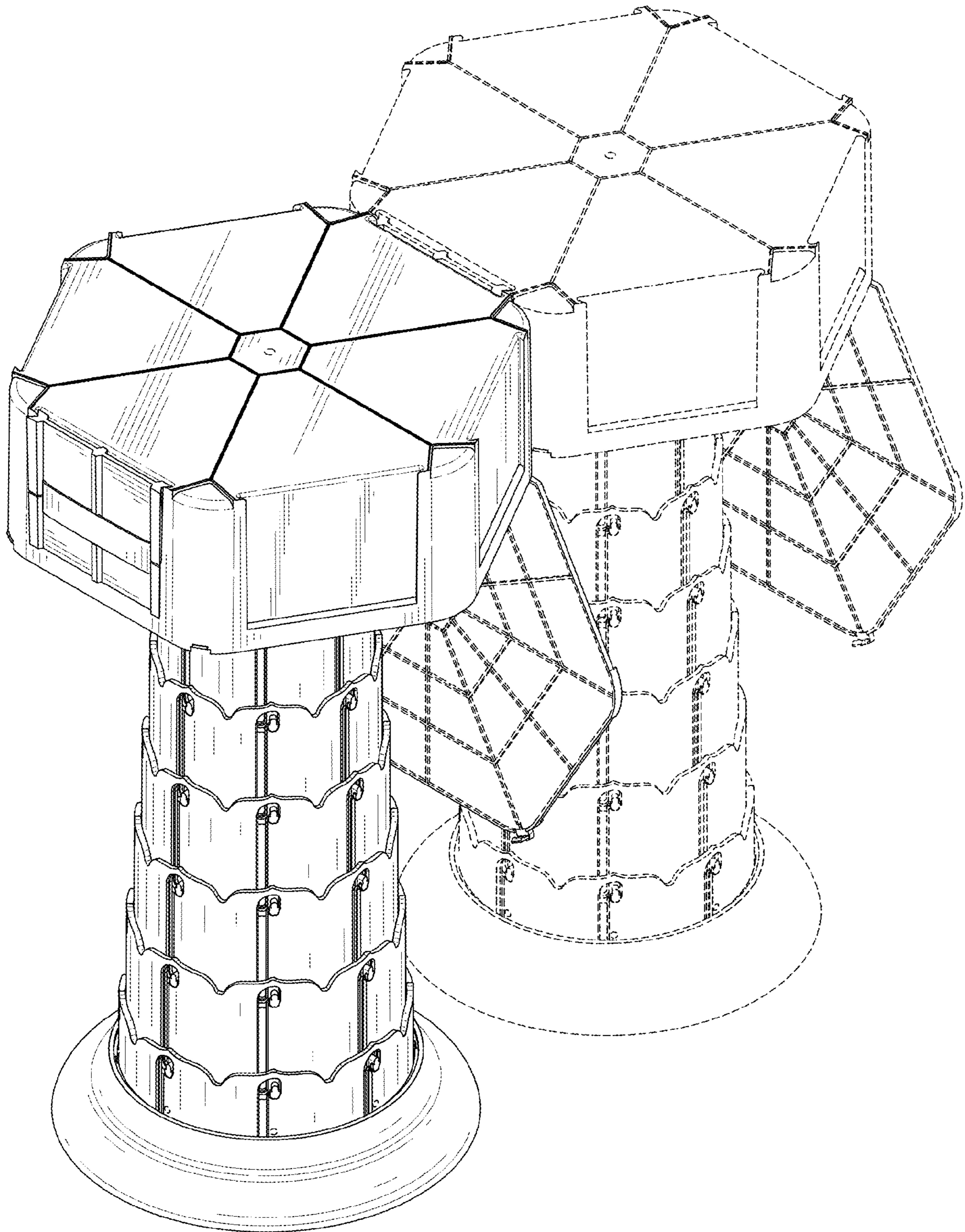


FIG. 9

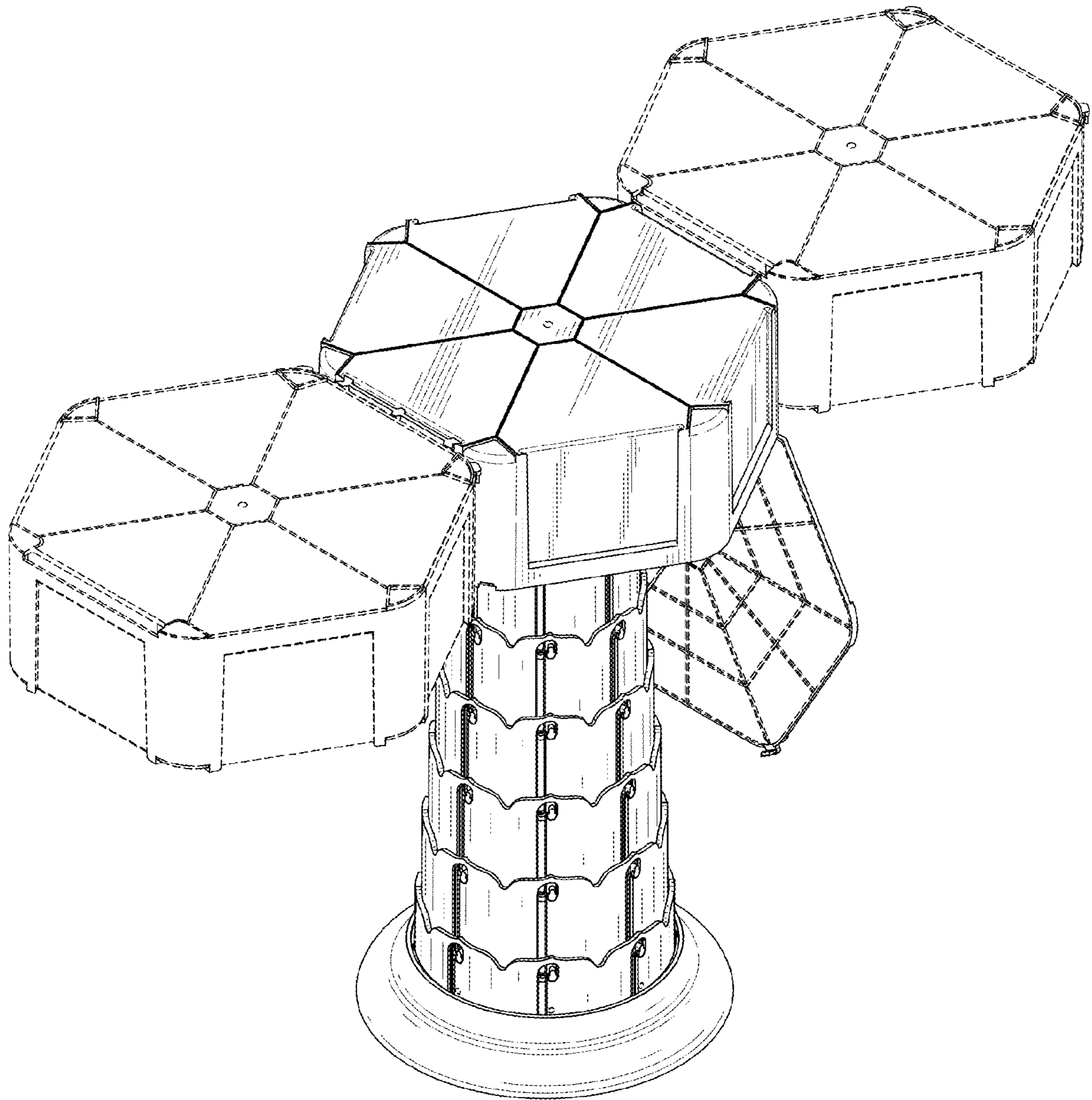


FIG. 10

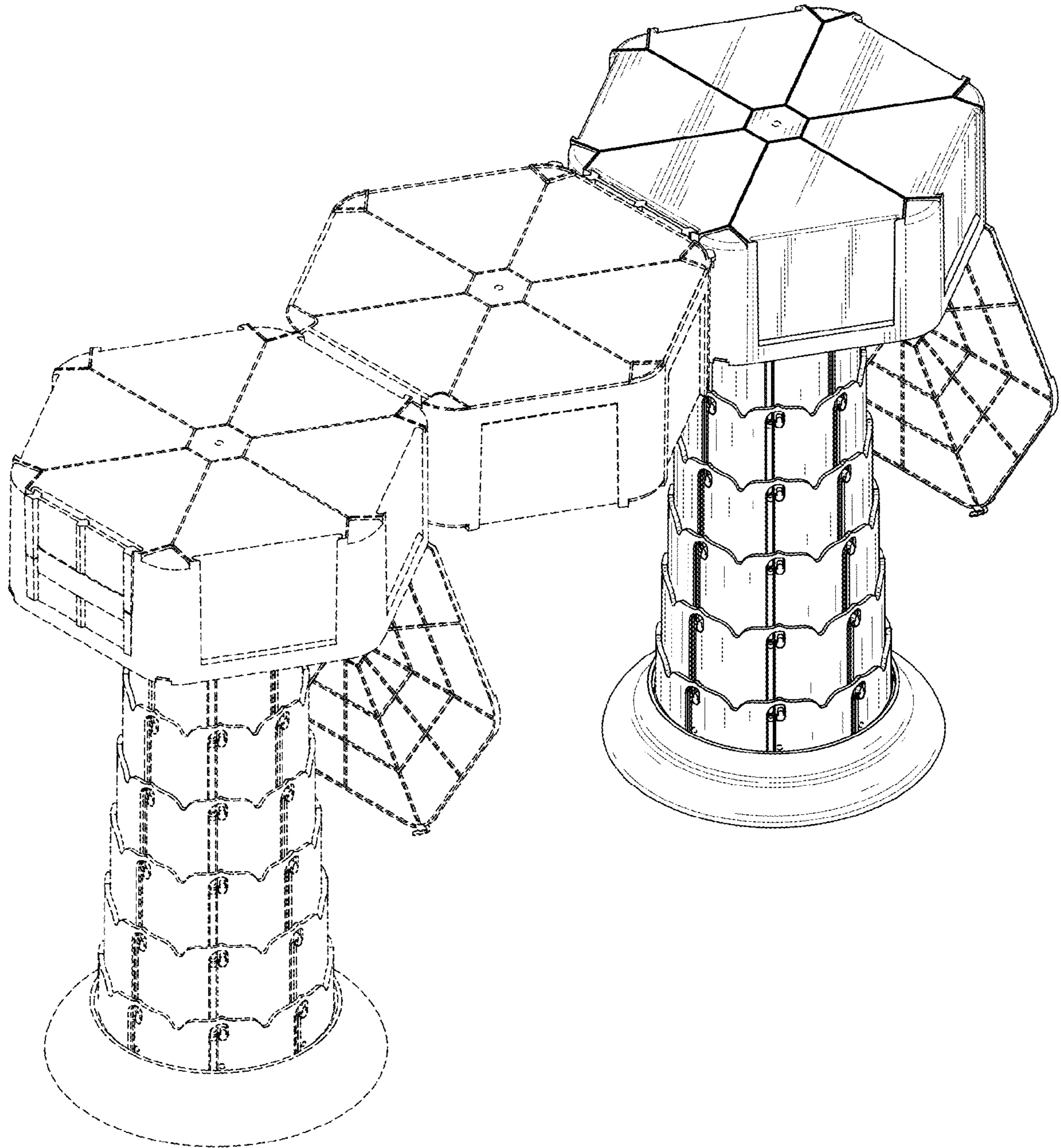


FIG. 11

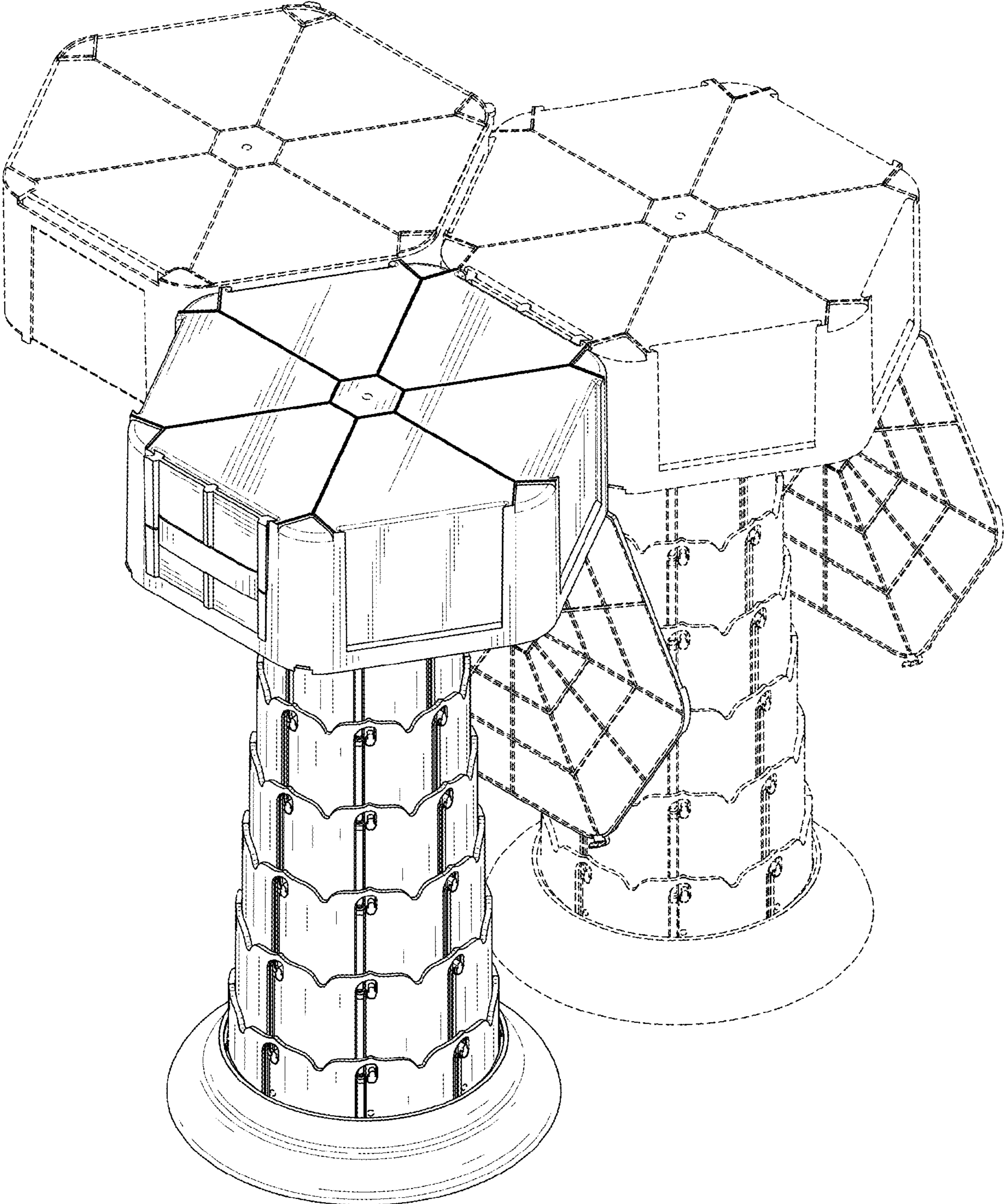


FIG. 12

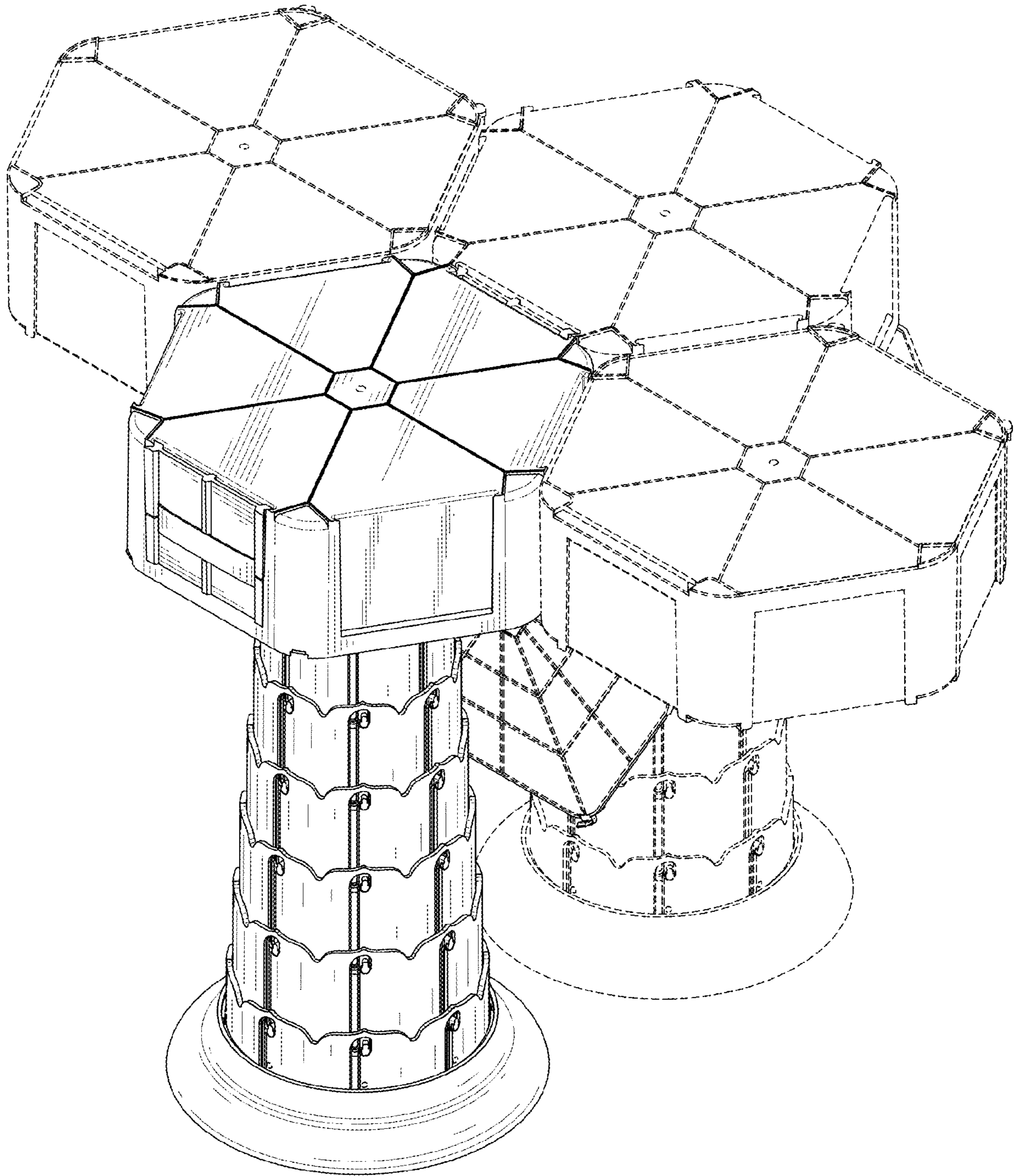


FIG. 13

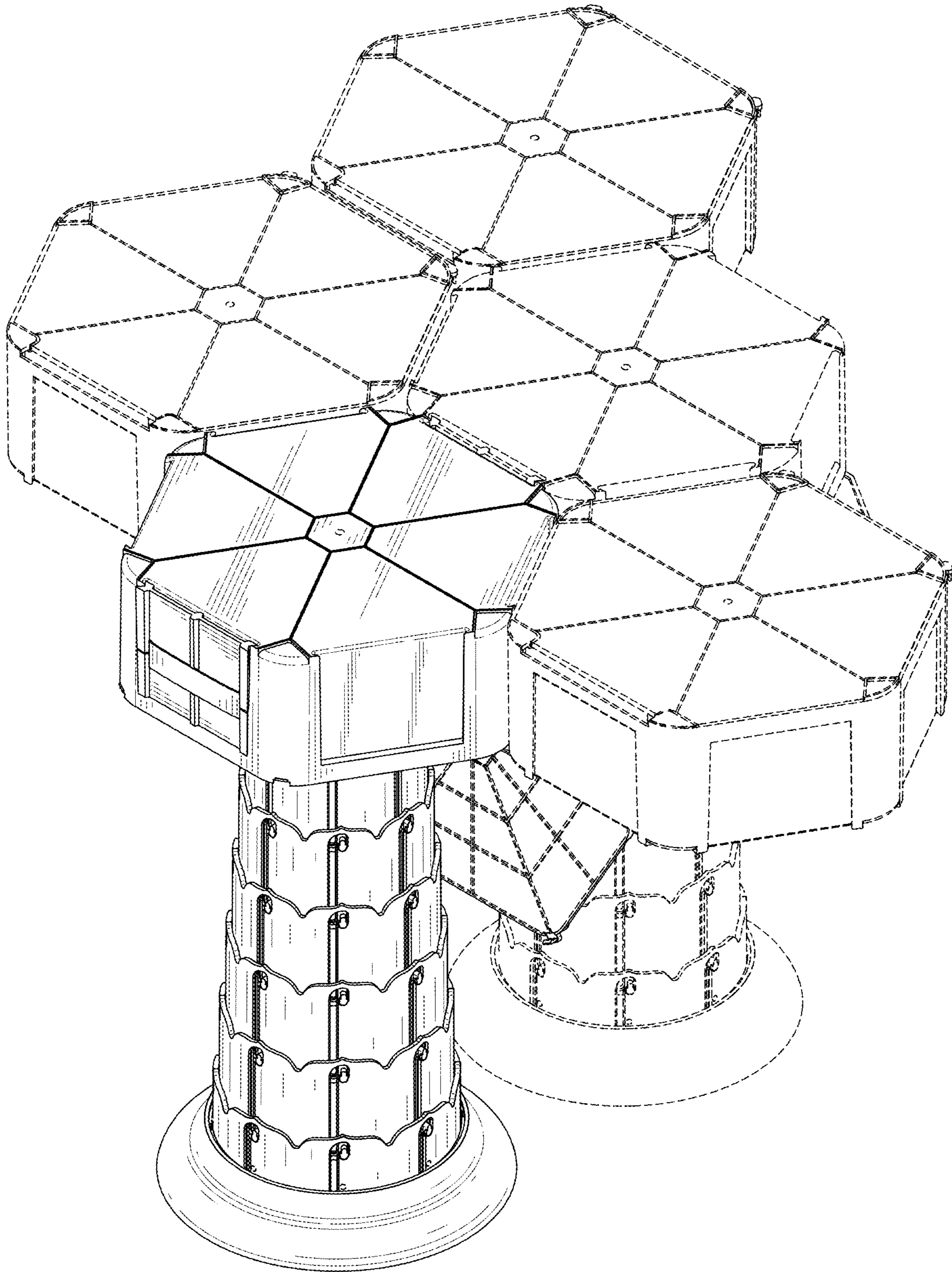


FIG. 14

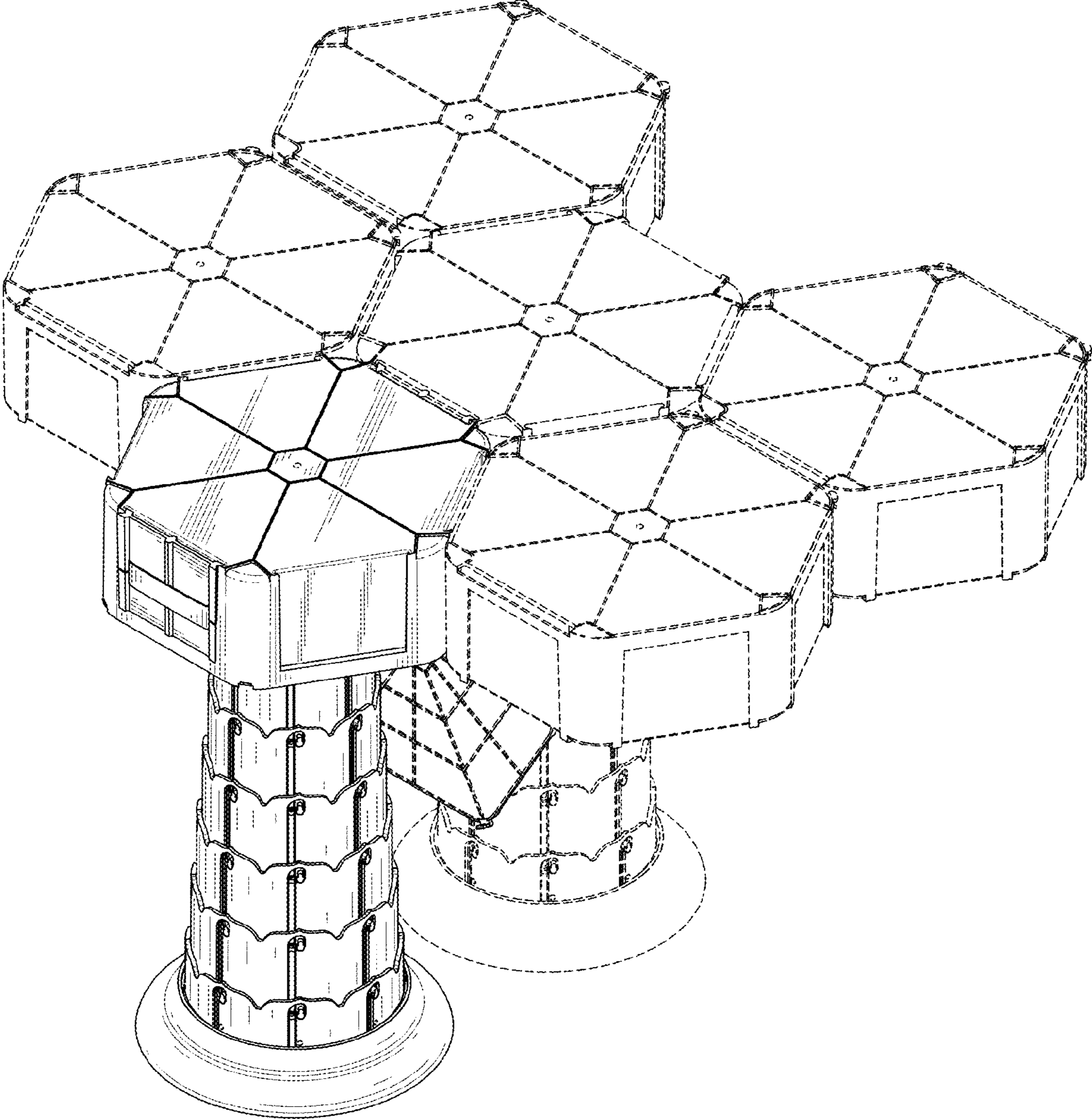


FIG. 15

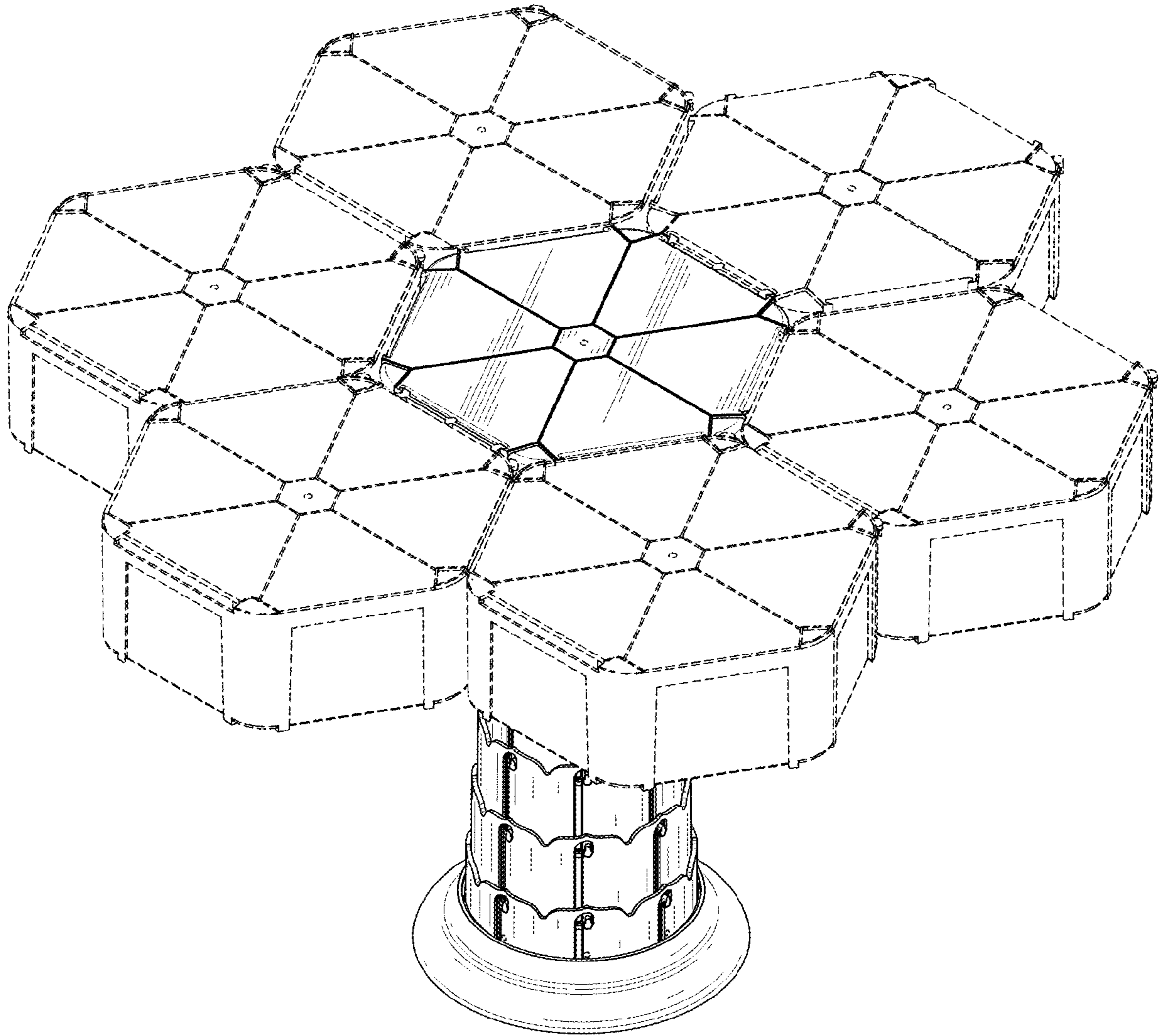


FIG. 16

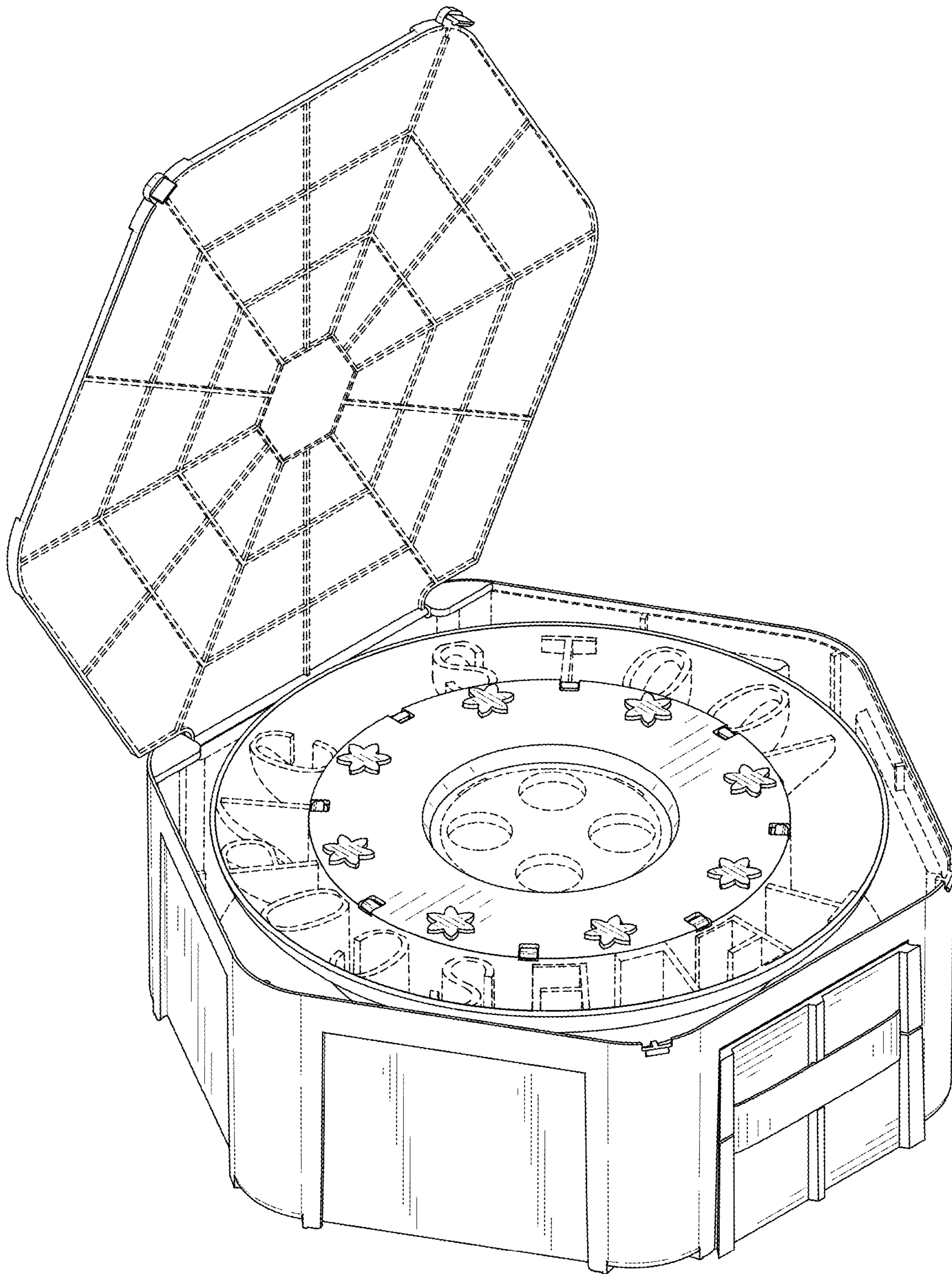


FIG. 17

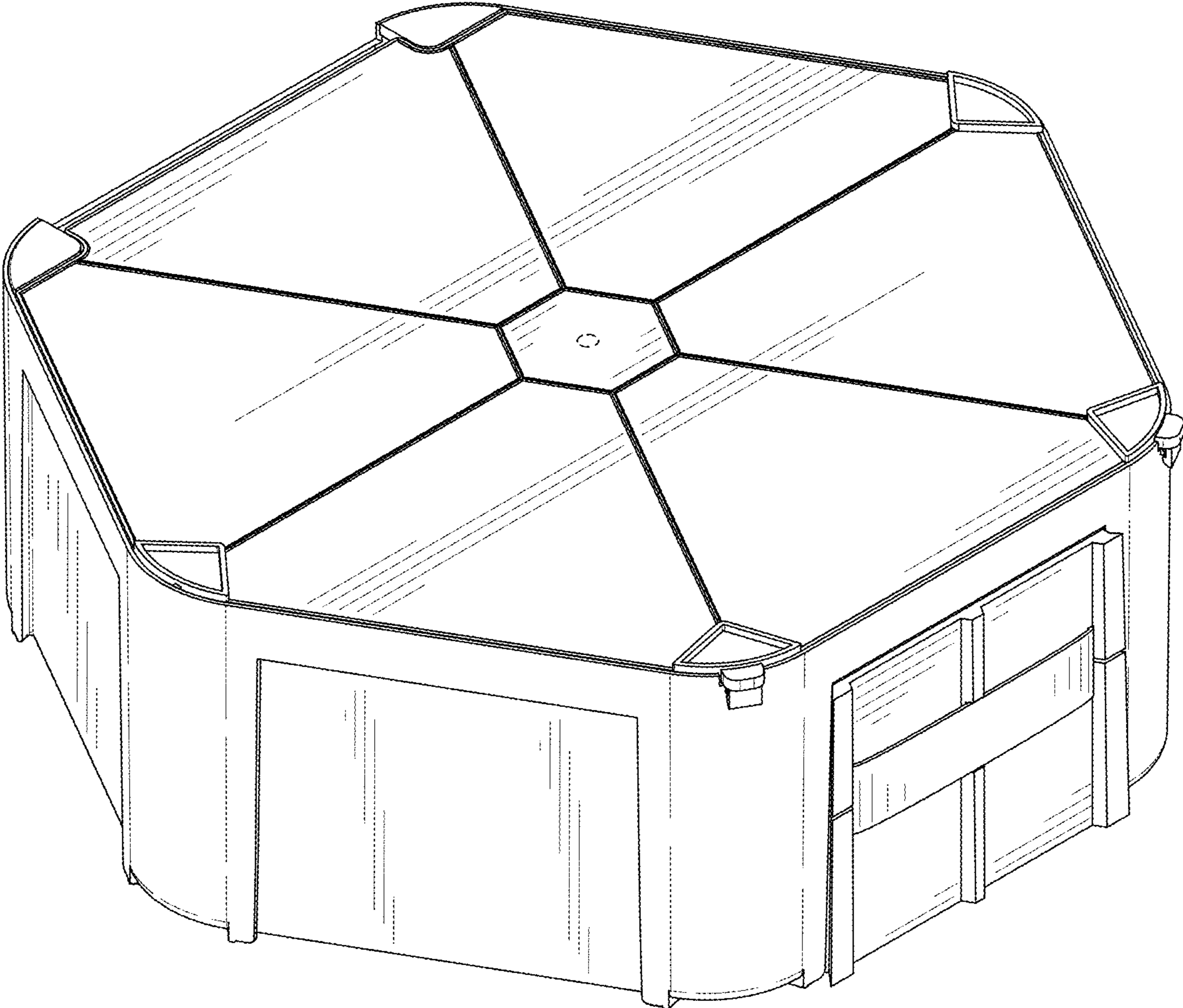


FIG. 18

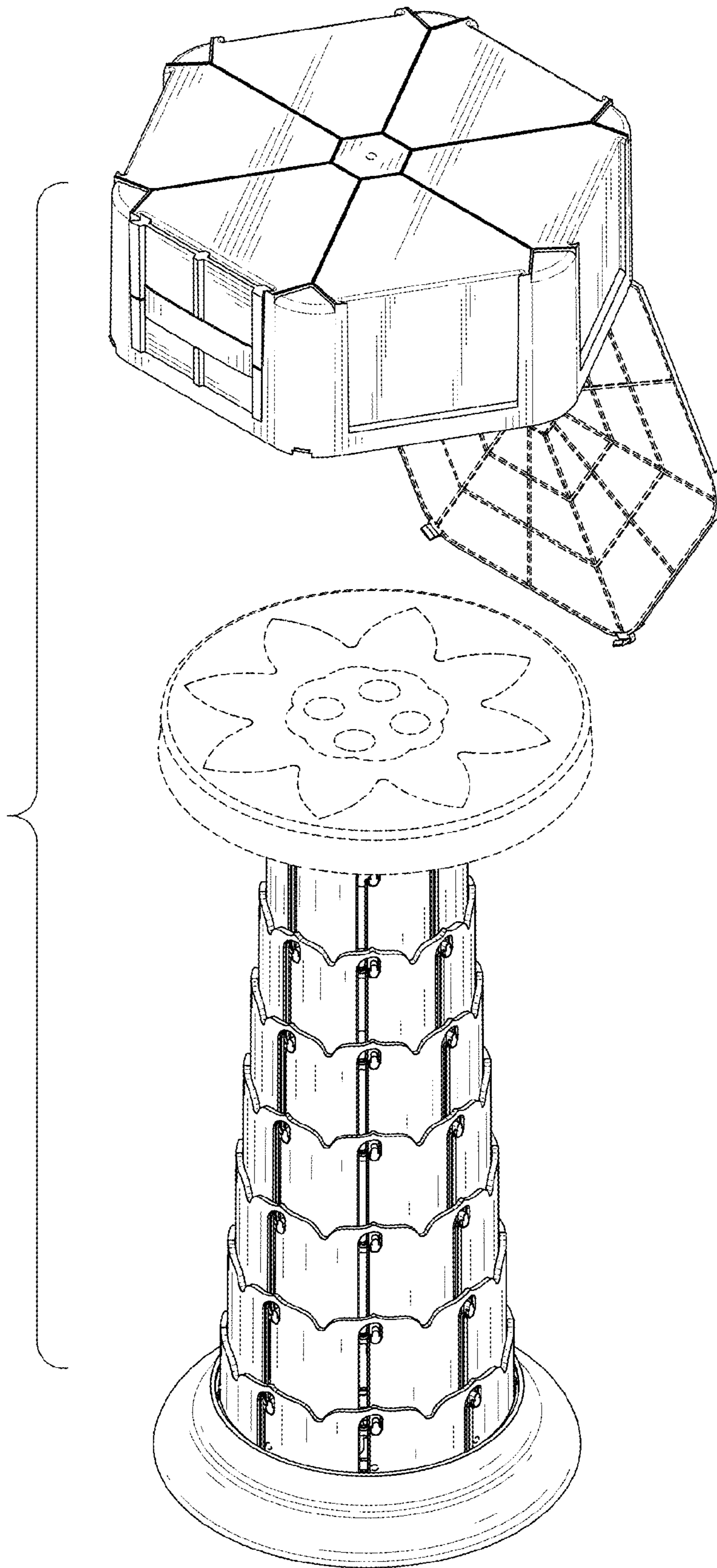


FIG. 19

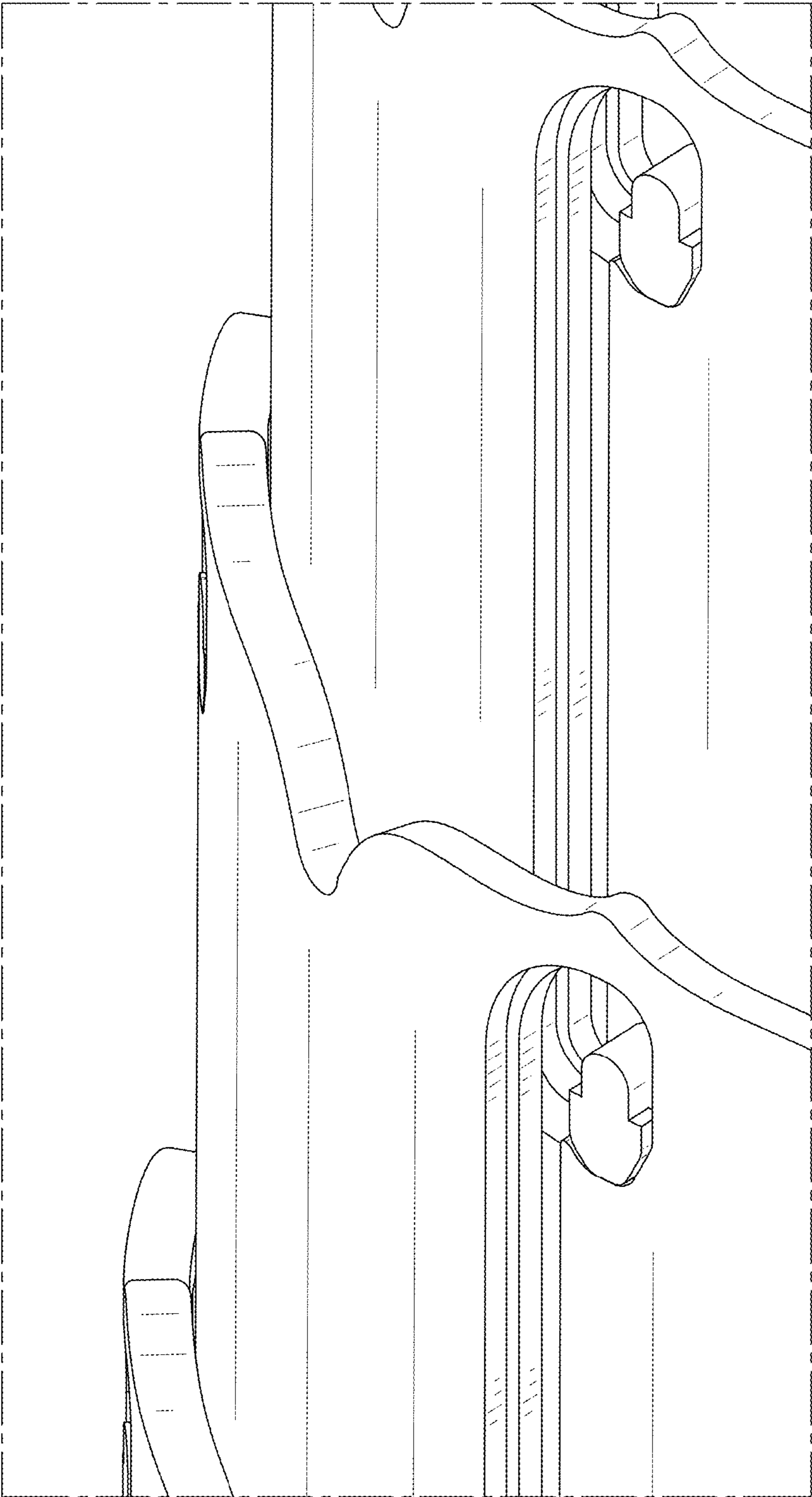


FIG. 20

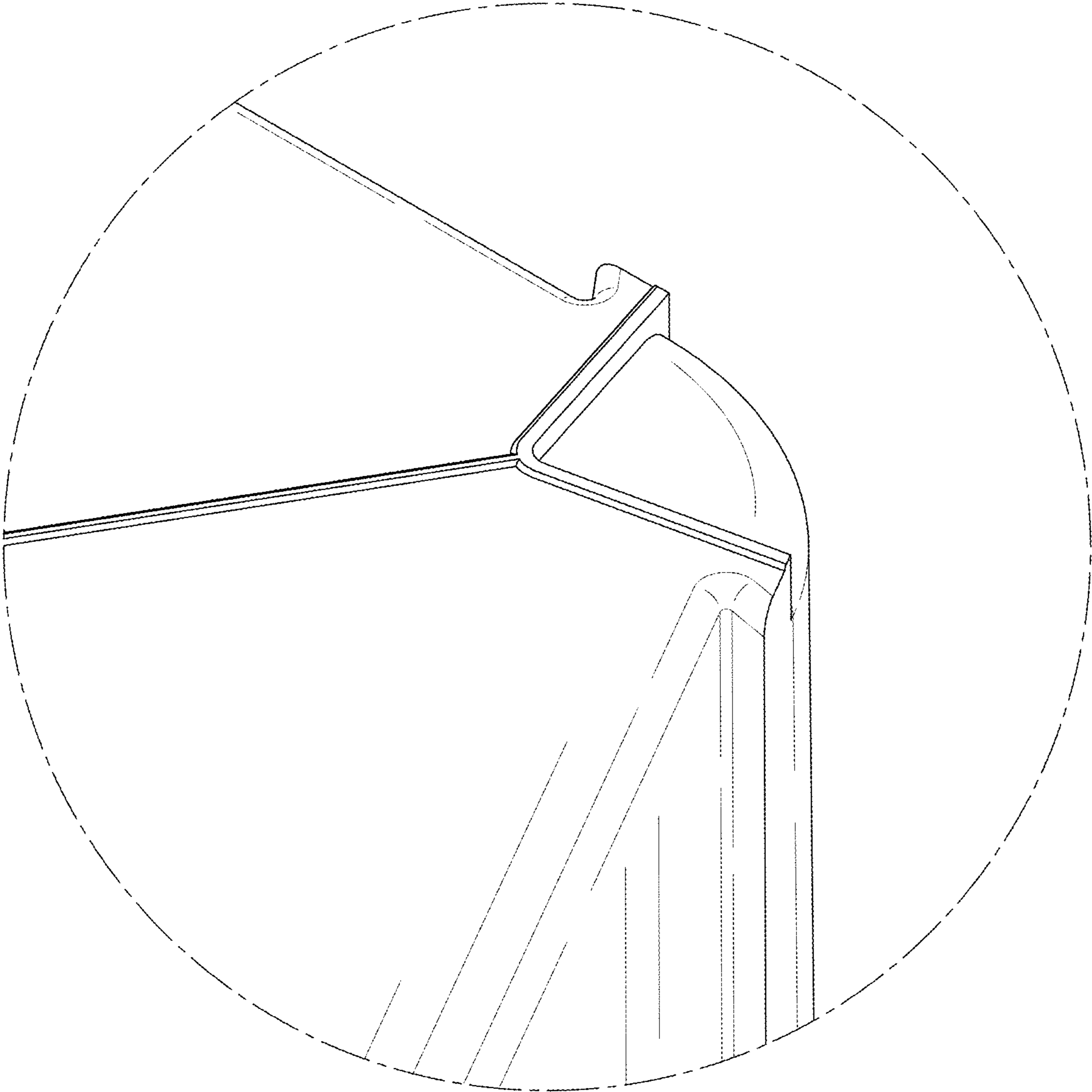


FIG. 21

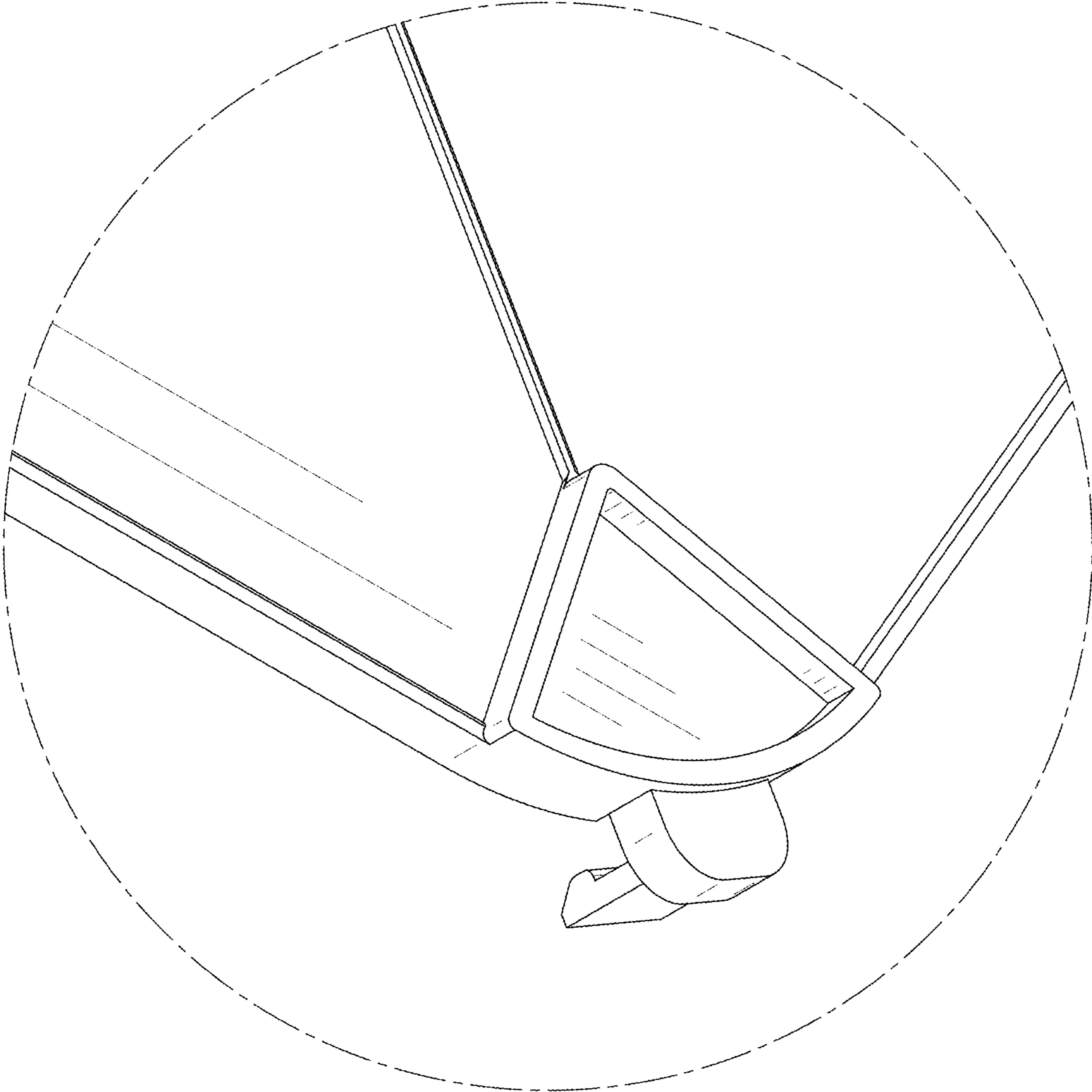


FIG. 22