



US00D938198S

(12) **United States Design Patent** (10) **Patent No.:** **US D938,198 S**  
**Huang** (45) **Date of Patent:** **\*\* Dec. 14, 2021**

(54) **DRESSING TABLE**  
(71) Applicant: **Zheng Huang**, Xinye (CN)  
(72) Inventor: **Zheng Huang**, Xinye (CN)  
(\*\*) Term: **15 Years**

D655,943 S 3/2012 Schmitt  
D663,548 S 7/2012 Domack  
D664,375 S 7/2012 Pamudji  
D664,789 S 8/2012 Mehran  
D668,887 S 10/2012 Schmitt  
D724,868 S 3/2015 Liu  
D868,506 S \* 12/2019 Song ..... D6/664.1  
D923,366 S \* 6/2021 Huang ..... D6/664.1

(21) Appl. No.: **29/774,652**  
(22) Filed: **Mar. 18, 2021**  
(51) **LOC (13) Cl.** ..... **06-04**  
(52) **U.S. Cl.**  
USPC ..... **D6/664.1**  
(58) **Field of Classification Search**  
USPC ..... D6/300, 308, 657, 663, 664.1, 668,  
D6/668.1, 668.2, 671, 671.1, 671.2,  
D6/671.3, 671.4, 686  
CPC ..... A47B 17/04; A47B 67/00; A47B 67/005;  
A47B 67/04; A47B 88/00; A47B 88/40;  
A47B 43/00; A47B 46/00; A47B 47/00;  
A47B 47/022; A47B 47/04; A47B 55/00;  
F21V 33/00; A45D 42/10  
See application file for complete search history.

**OTHER PUBLICATIONS**

Vanity Table with Lighted and Tri-Folding Mirror, Makeup Dressing Table with 10 Lights and 4 Drawers, from amazon.com, Retrieved Date, May 5, 2021, p. 1, from <https://www.amazon.com/Tri-Folding-Dressing-Detachable-Rotating-Cushioned/dp/B08929P192> (Year: 2021).\*

\* cited by examiner

*Primary Examiner* — Mimoso De  
(74) *Attorney, Agent, or Firm* — Rumit Ranjit Kanakia

(57) **CLAIM**

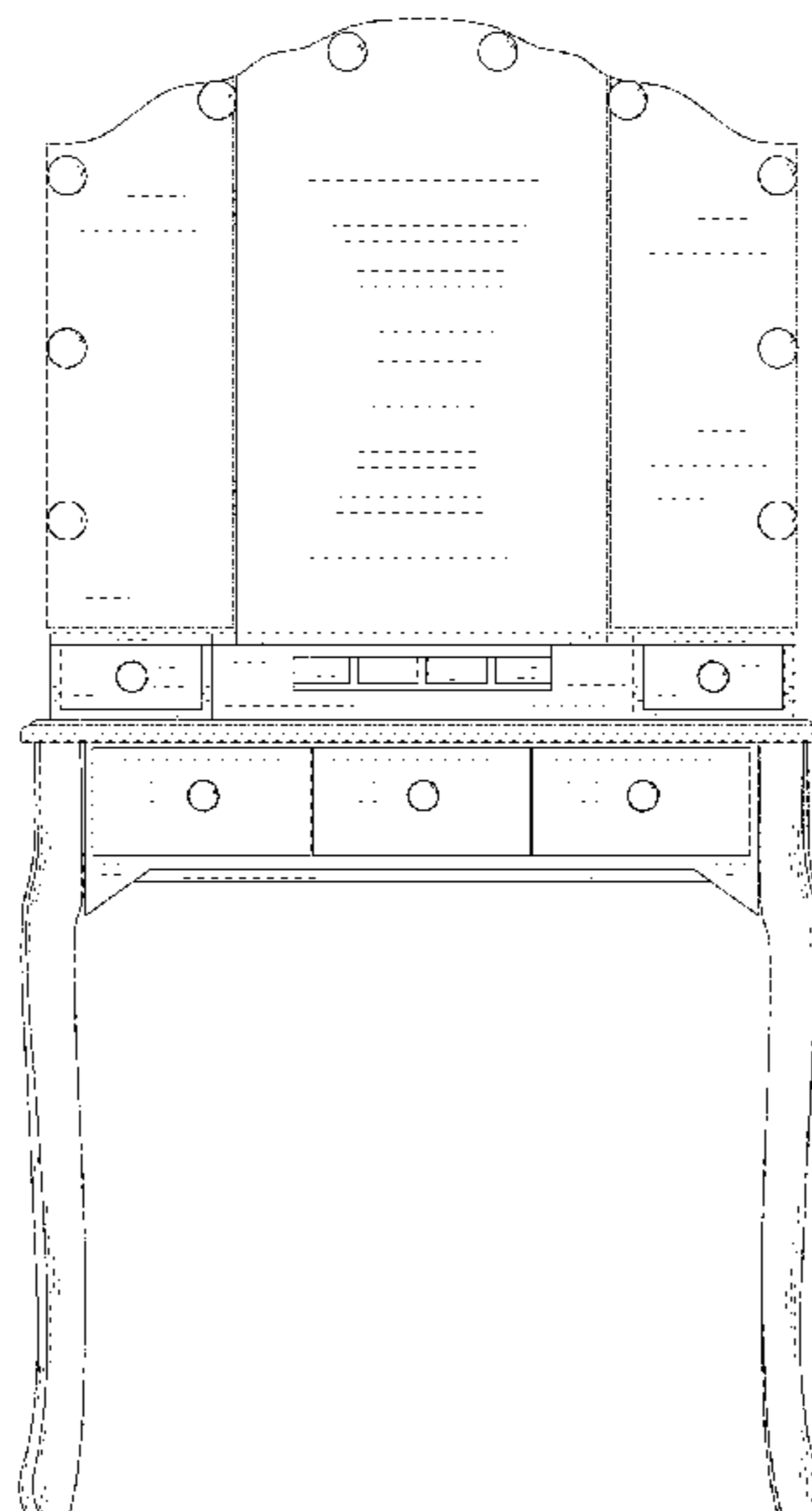
The ornamental design for a dressing table, as shown and described.

**DESCRIPTION**

FIG. 1 is a front elevational view of a dressing table showing my new design;  
FIG. 2 is a rear elevational view thereof; and  
FIG. 3 is a left elevational view thereof;  
FIG. 4 is a right side view thereof  
FIG. 5 is a top side view thereof;  
FIG. 6 is a bottom plan view thereof;  
FIG. 7 is a perspective view of a dressing table showing my new design; and,  
FIG. 8 is another perspective view thereof.  
The broken lines in the figures are for the purposes of illustrating portions of the dressing table, which form no part of the claimed design.

(56) **References Cited**  
**U.S. PATENT DOCUMENTS**  
1,451,207 A \* 4/1923 Draper ..... A47B 67/005  
312/227  
RE25,402 E \* 6/1963 Myerberg ..... A45D 42/10  
362/141  
D308,308 S \* 6/1990 Keller ..... D6/664.1  
D416,711 S \* 11/1999 Chou ..... D6/664.1  
D416,712 S \* 11/1999 Chou ..... D6/664.1  
D462,531 S \* 9/2002 Risdon ..... D6/302  
D483,956 S \* 12/2003 Domack ..... D6/300  
D517,835 S 3/2006 O'Hare  
D524,059 S \* 7/2006 Mohundro ..... D6/300  
D577,225 S \* 9/2008 Greiner ..... D6/664.1  
D586,581 S 2/2009 Schmitt  
D603,622 S 11/2009 Schmitt  
D604,960 S 12/2009 Garbin

**1 Claim, 8 Drawing Sheets**



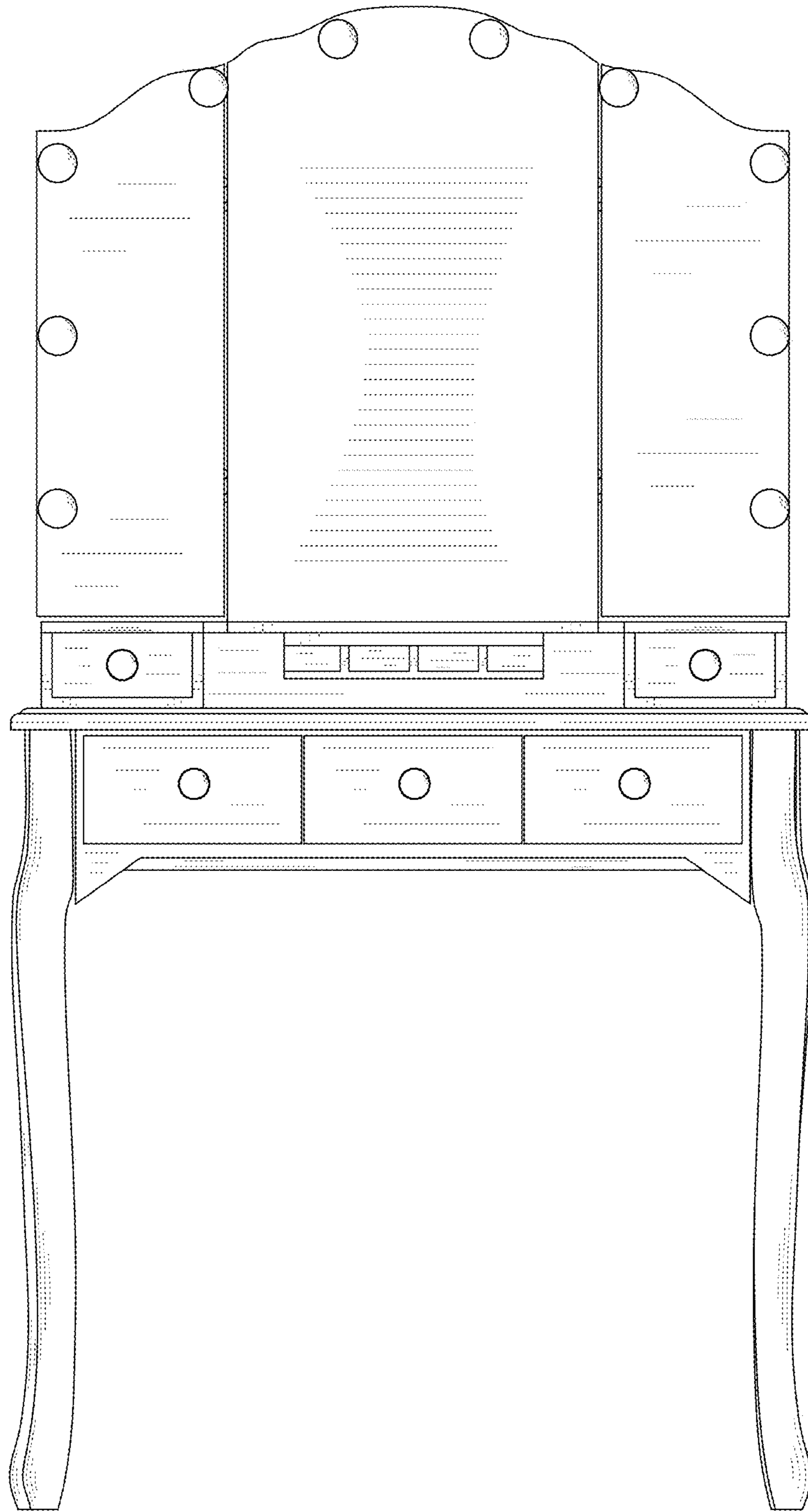


FIG. 1

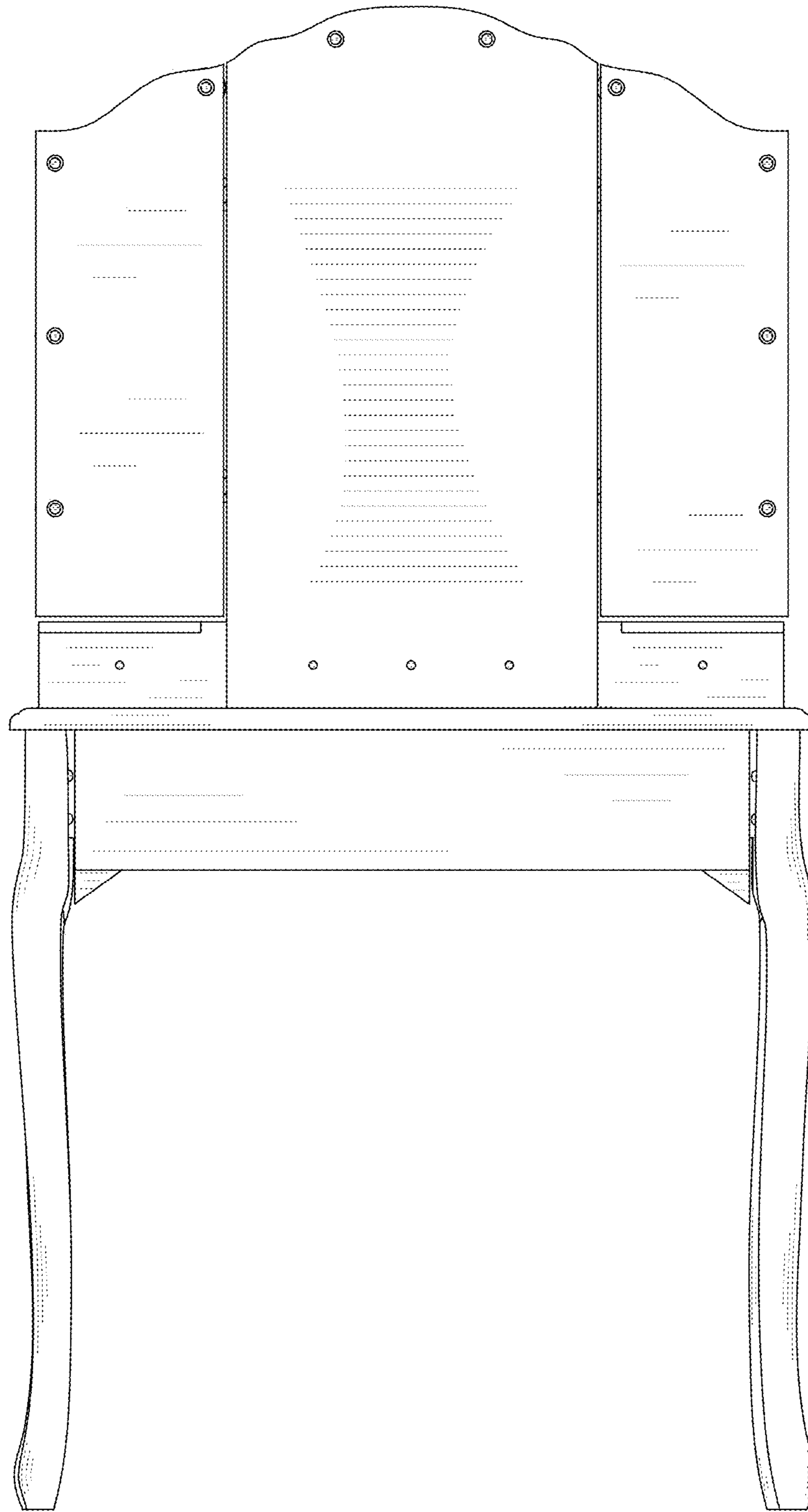


FIG. 2

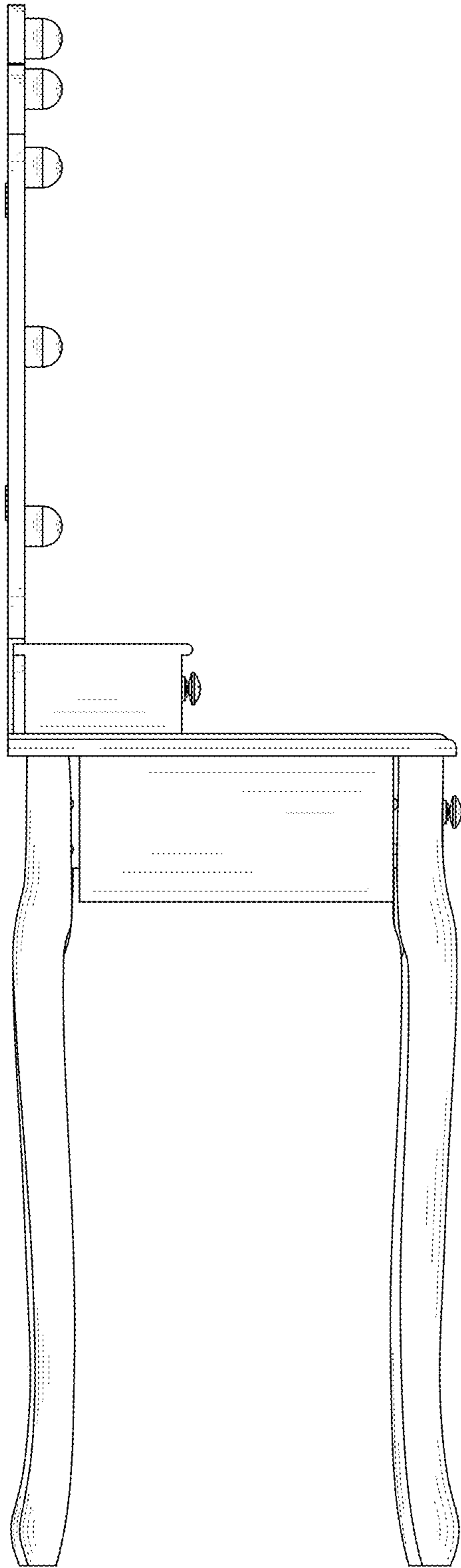


FIG. 3

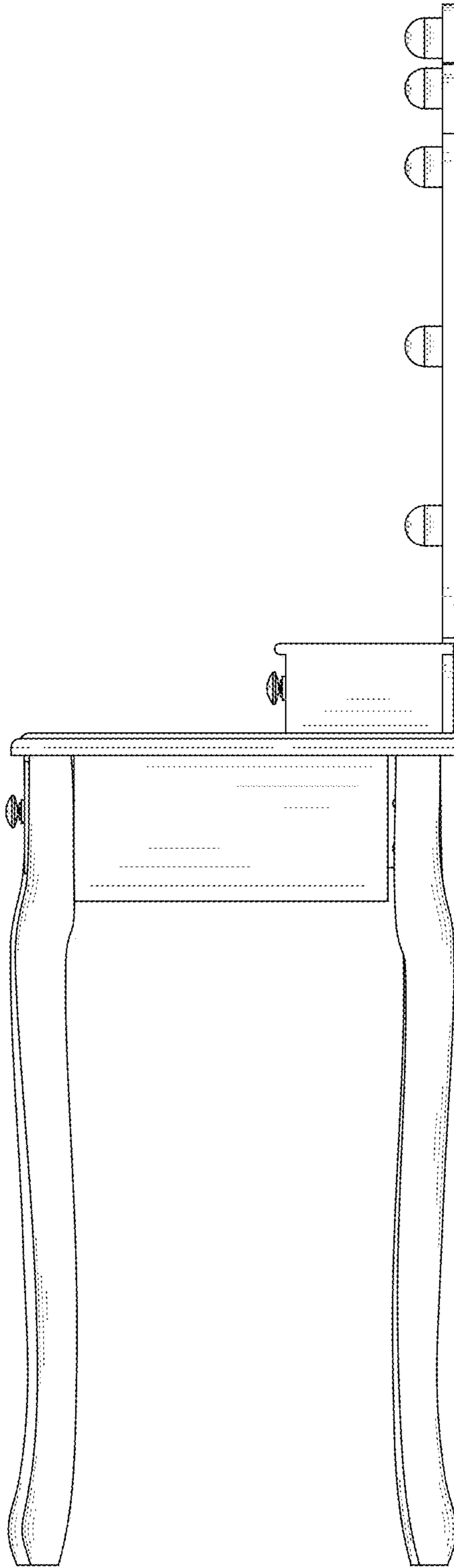


FIG. 4

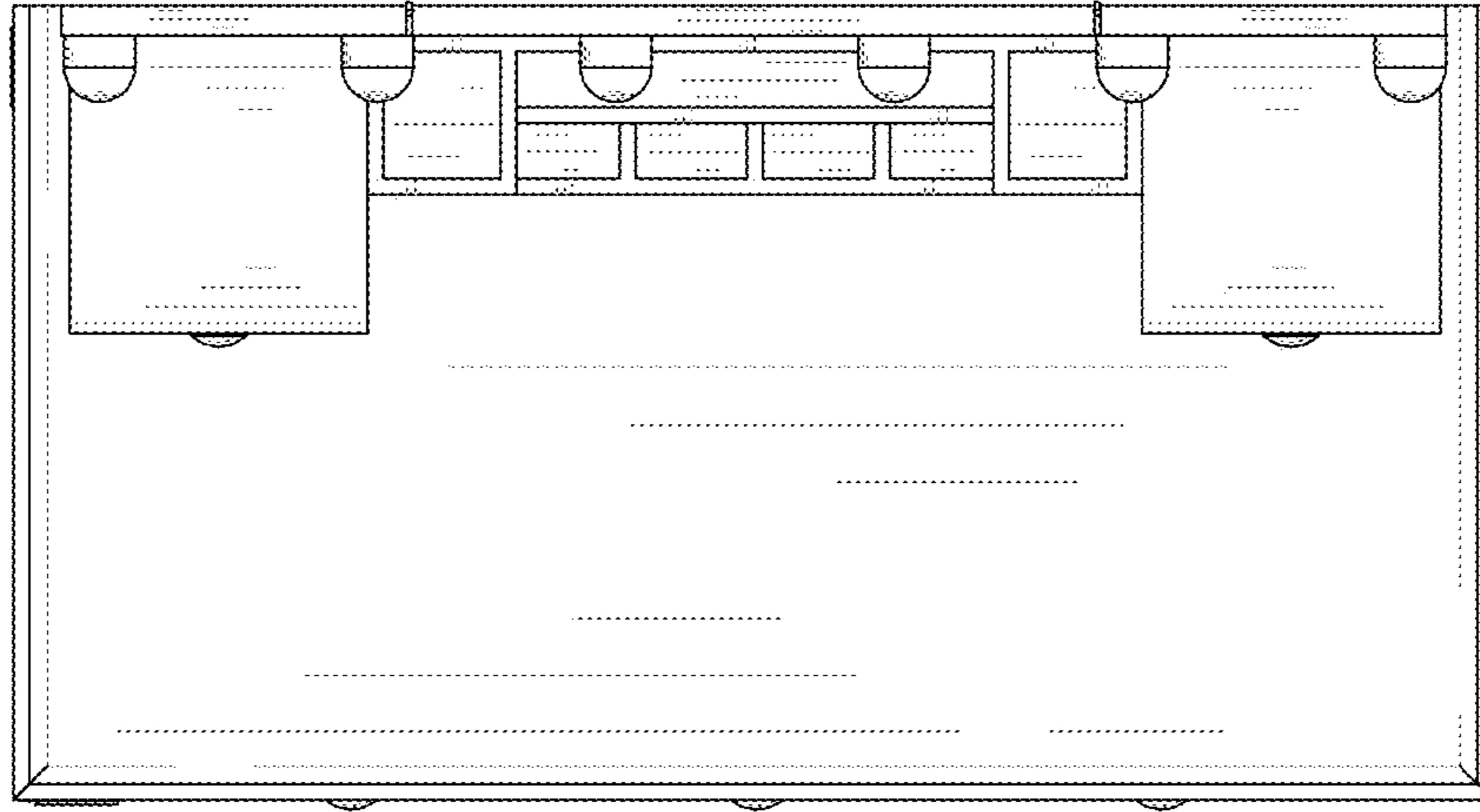


FIG. 5

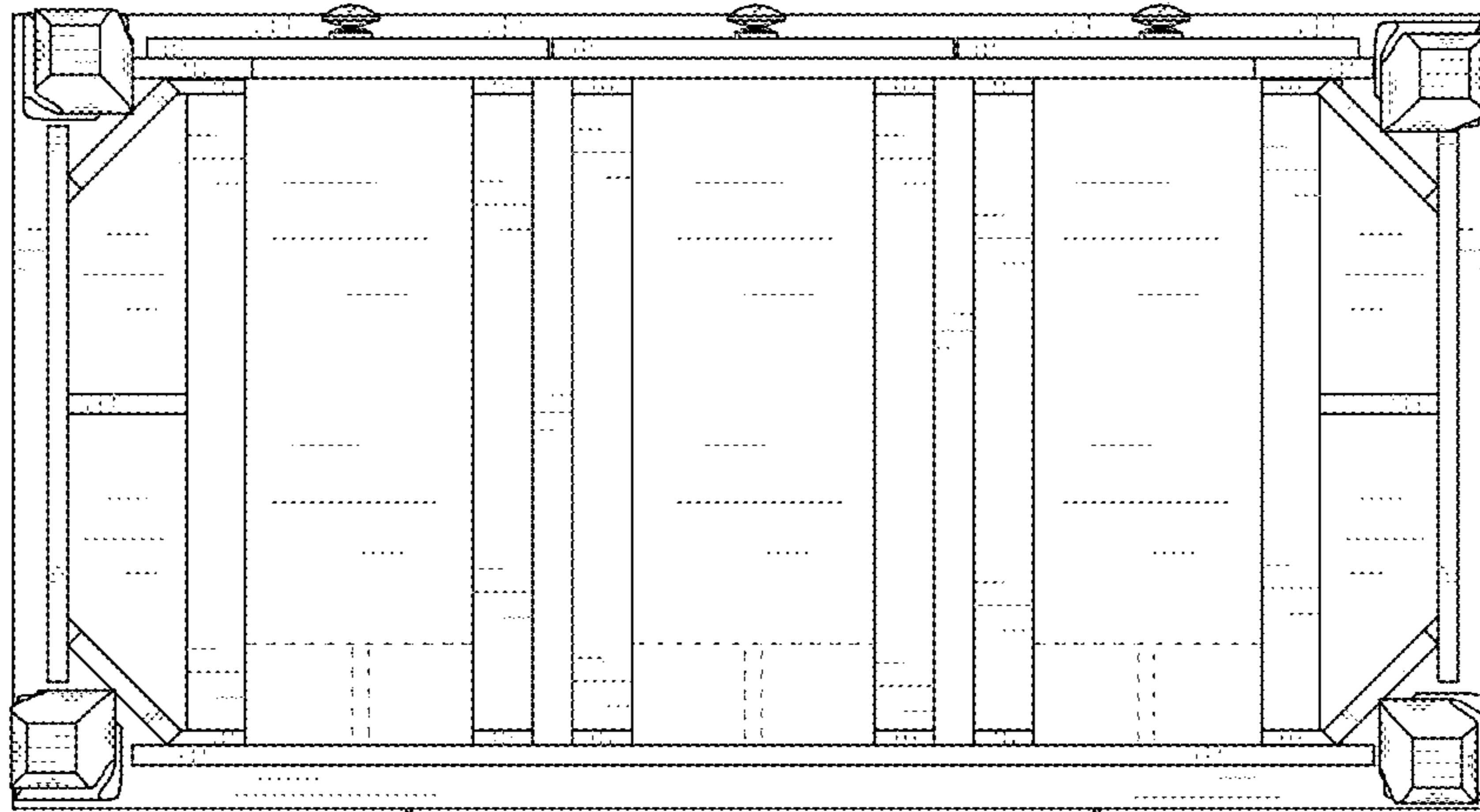


FIG. 6

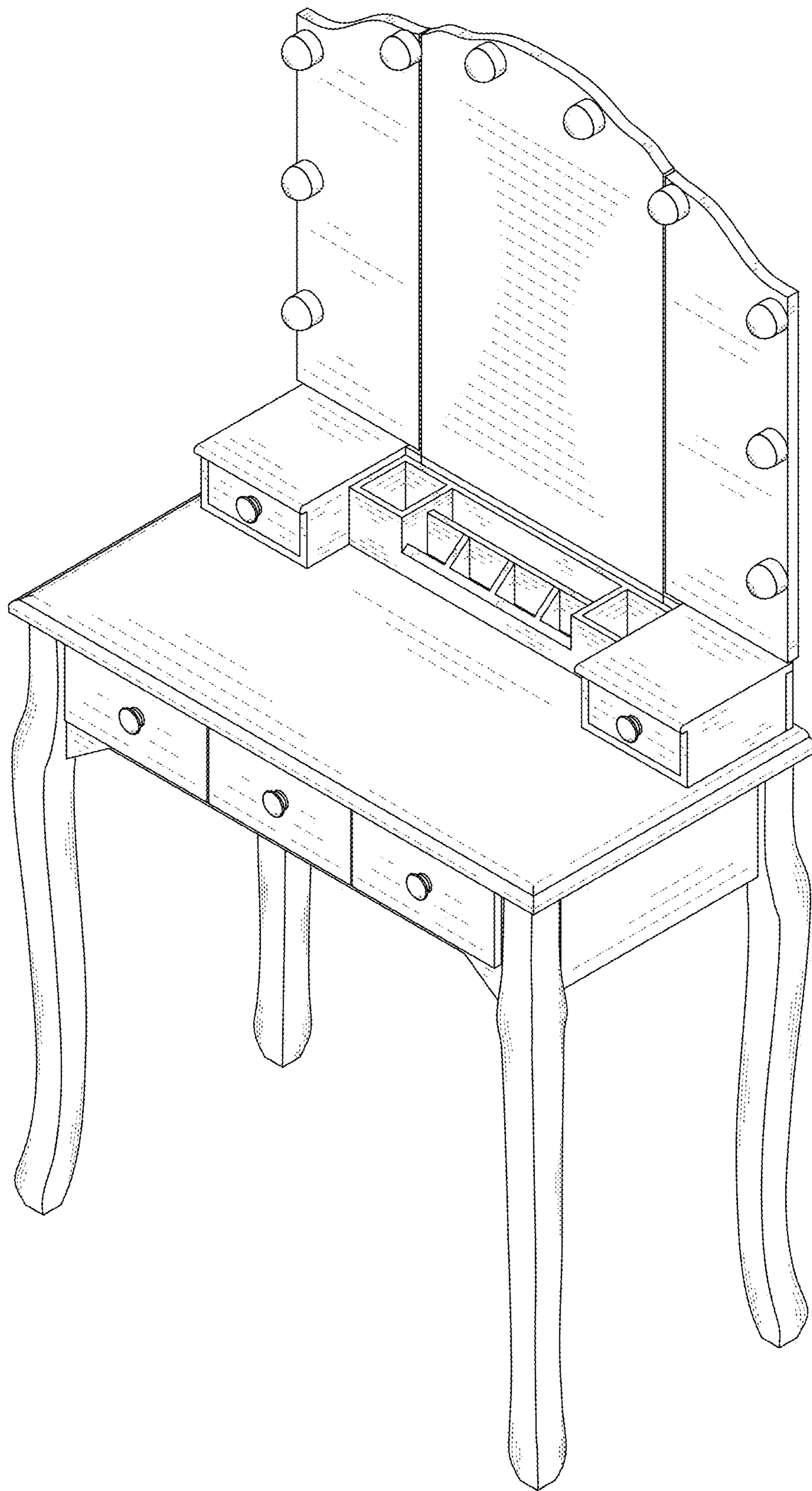


FIG. 7



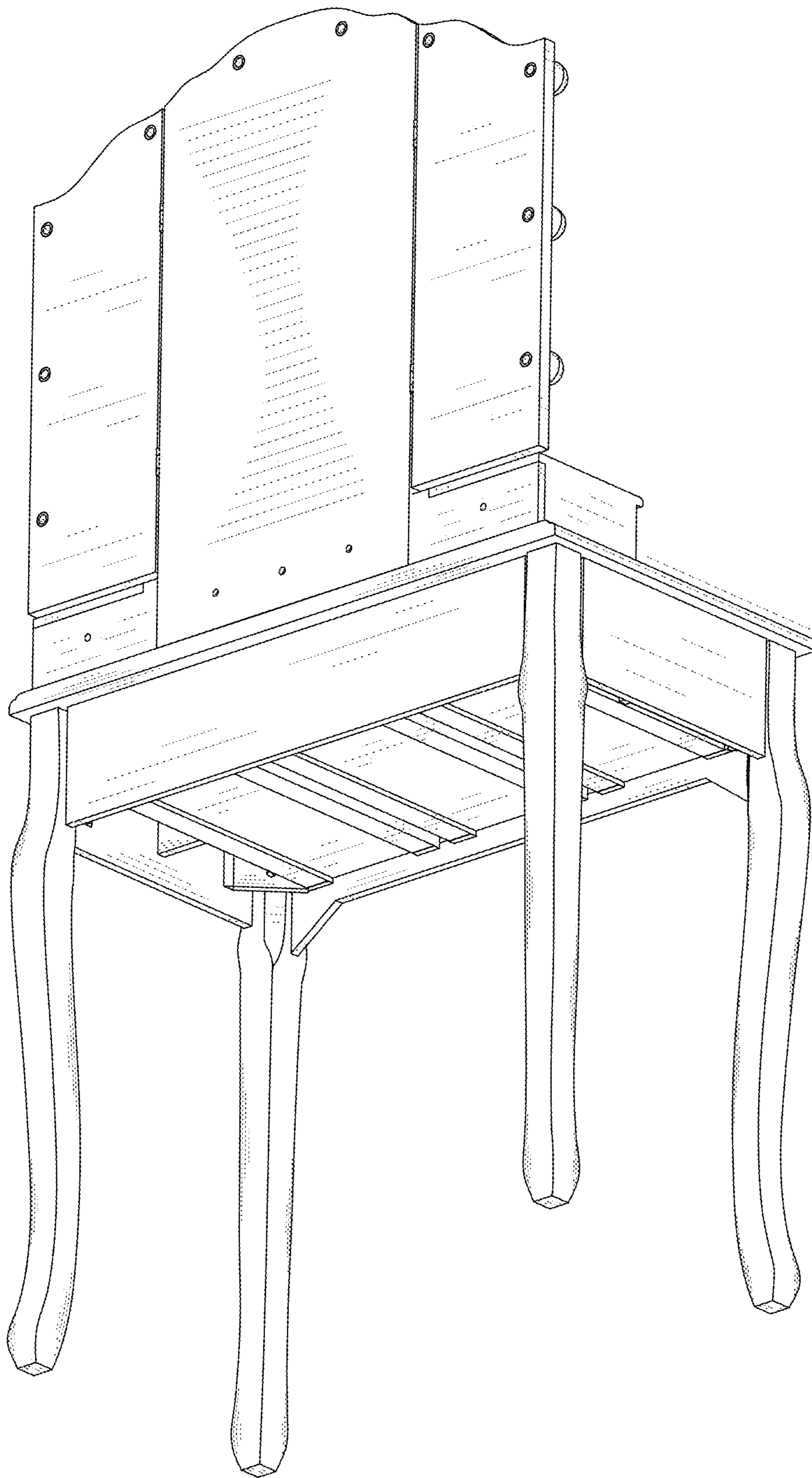


FIG. 8