



US00D938197S

(12) **United States Design Patent** (10) **Patent No.:** **US D938,197 S**
Locke et al. (45) **Date of Patent:** **** Dec. 14, 2021**

(54) **DISPLAY CASE**
(71) Applicant: **Walmart Apollo, LLC**, Bentonville, AR (US)
(72) Inventors: **Nicholas Locke**, Rogers, AR (US); **Alexander Micheal Alvarado**, Bentonville, AR (US)
(73) Assignee: **Walmart Apollo, LLC**, Bentonville, AR (US)
(**) Term: **15 Years**

6,179,434 B1 1/2001 Saraji
D439,438 S * 3/2001 Mathieu D6/661
D467,450 S * 12/2002 Trulaske, Sr. D15/81
D502,340 S * 3/2005 Juneau D6/661
D513,907 S * 1/2006 O'Hare D6/661
D528,326 S * 9/2006 Cook D6/661
D549,006 S * 8/2007 Everson D6/661
D549,007 S * 8/2007 Everson D6/661
D659,725 S * 5/2012 Wolfe D15/85
9,052,536 B2 * 6/2015 Artwohl G09F 23/0058
D757,127 S * 5/2016 Rautavuori D15/79
D762,745 S * 8/2016 Galiatsis D15/85
9,881,528 B2 * 1/2018 Dunn G09F 9/35
D829,471 S * 10/2018 Fortmann D6/661
D850,824 S * 6/2019 Bashkin D6/671

(Continued)

(21) Appl. No.: **29/707,832**
(22) Filed: **Oct. 1, 2019**
(51) **LOC (13) Cl.** **06-04**
(52) **U.S. Cl.**
USPC **D6/661**
(58) **Field of Classification Search**
USPC D6/329, 657, 661, 663, 671, 672, 675
CPC .. A47F 3/00; A47F 3/005; A47F 3/043; A47F
3/0404; A47F 3/0434; A47F 3/125; A47B
81/00
See application file for complete search history.

OTHER PUBLICATIONS

“Walmart Supercenter—Post Falls, ID—Sarah I.” Found online Aug. 11, 2021 at www.foursquare.com. Image dated Apr. 8, 2012. Retrieved from URL: <https://foursquare.com/v/walmart-supercenter/5a0a08605ba046271f868fc6?openPhotoId=4f81ce80e4b06d09fa7c1bb4> (Year: 2012).*

(Continued)

Primary Examiner — Mary Ann Calabrese
Assistant Examiner — Katelin G Kloberg

(56) **References Cited**

U.S. PATENT DOCUMENTS

D191,927 S * 12/1961 Trulaske D15/85
3,660,832 A 5/1972 Hoshall
D243,985 S * 4/1977 Brown D15/85
D296,056 S * 6/1988 De Prins D6/661
D296,396 S * 6/1988 De Prins D6/407
5,392,025 A 2/1995 Figh et al.
D365,110 S * 12/1995 Klein, III D15/135
D367,570 S * 3/1996 Walters, III D6/661
D374,135 S * 10/1996 Lladro Roig D6/661
D387,221 S * 12/1997 Keller D6/661
5,871,263 A 2/1999 Johnston et al.
5,934,114 A 8/1999 Weisburn et al.

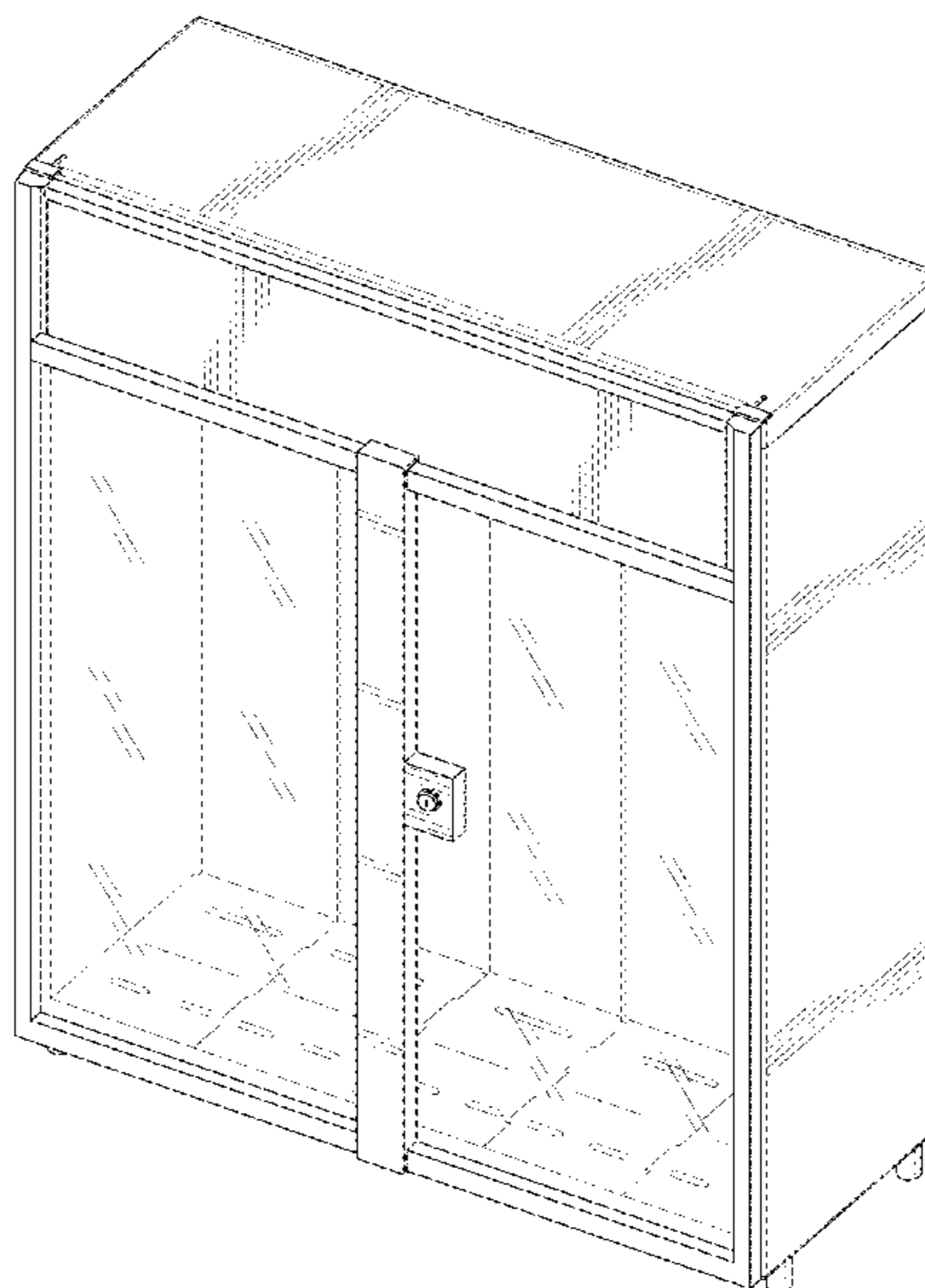
(57) **CLAIM**

The design for a display case, as shown and described.

DESCRIPTION

FIG. 1 is a front perspective view of a display case;
FIG. 2 is a front view thereof;
FIG. 3 is a rear view thereof;
FIG. 4 is a left side view thereof;
FIG. 5 is a right side view thereof; and
FIG. 6 is a top view thereof; and,
FIG. 7 is a bottom view thereof.

1 Claim, 7 Drawing Sheets



(56)

References Cited

U.S. PATENT DOCUMENTS

D917,978 S * 5/2021 Zhang D7/609
2013/0063326 A1* 3/2013 Riegel G02F 1/133615
345/4

OTHER PUBLICATIONS

“ClimaCab—Grand.” Found online Aug. 11, 2021 at www.acousticremedycase.com. Product reviewed Nov. 16, 2019. Retrieved from URL: <https://www.acousticremedycases.com/products/climacab-grand#> (Year: 2019).*

“Try Our New Cigars From Our New Humidor.” Found online Aug. 11, 2021 at www.towncentermarket.com. Page dated Jul. 18, 2019. Retrieved from URL: <https://www.towncentermarket.net/events/2019/7/18/try-our-new-cigars-from-our-new-humidor> (Year: 2019).*

“Security Cases.” Found online Aug. 11, 2021 at www.winestoreracks.com. Page archived Feb. 17, 2015. Retrieved from URL: <https://web.archive.org/web/20150217222011/http://www.winestoreracks.com:80/security-cases.html> (Year: 2015).*

* cited by examiner

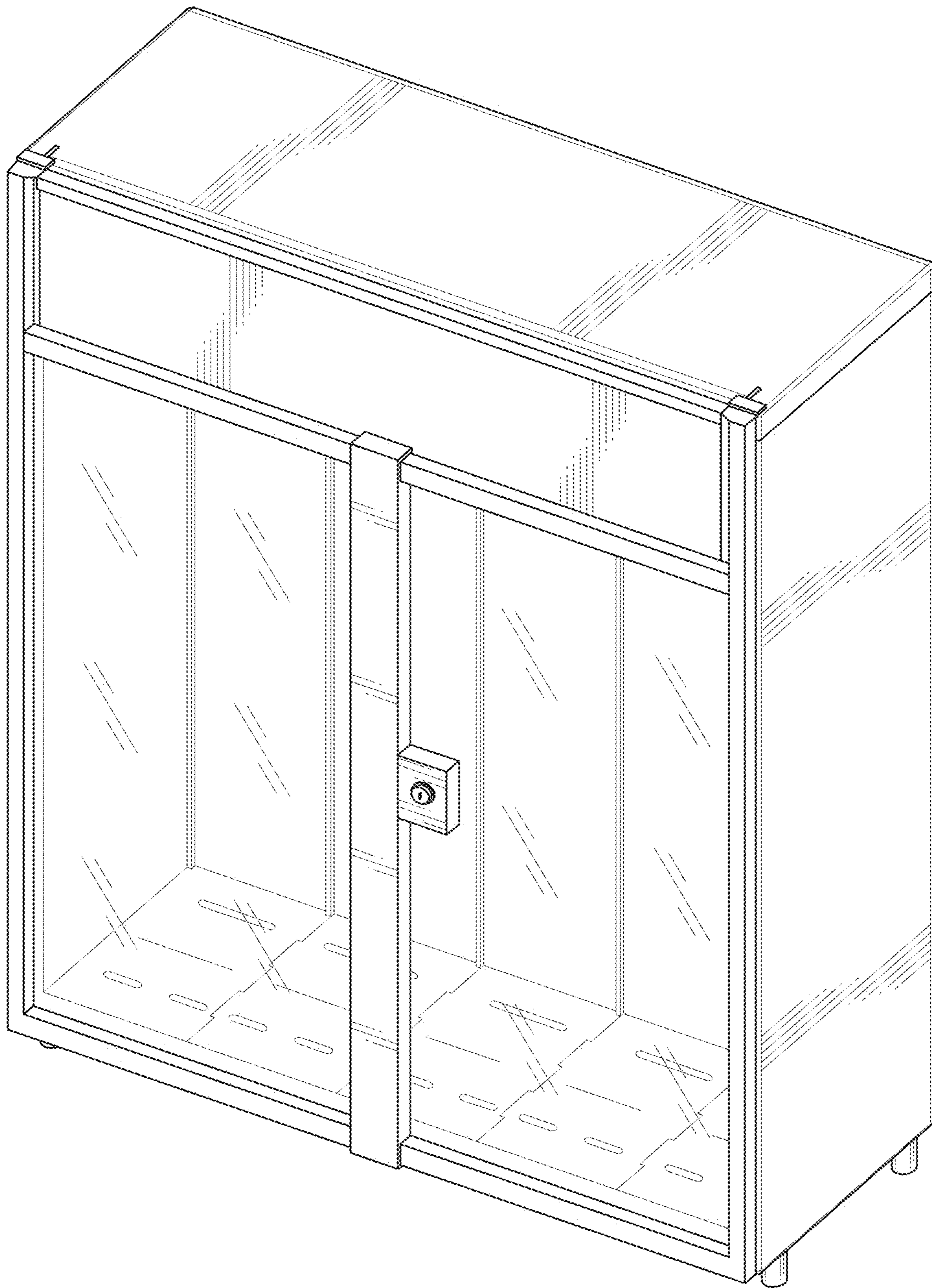


FIG. 1

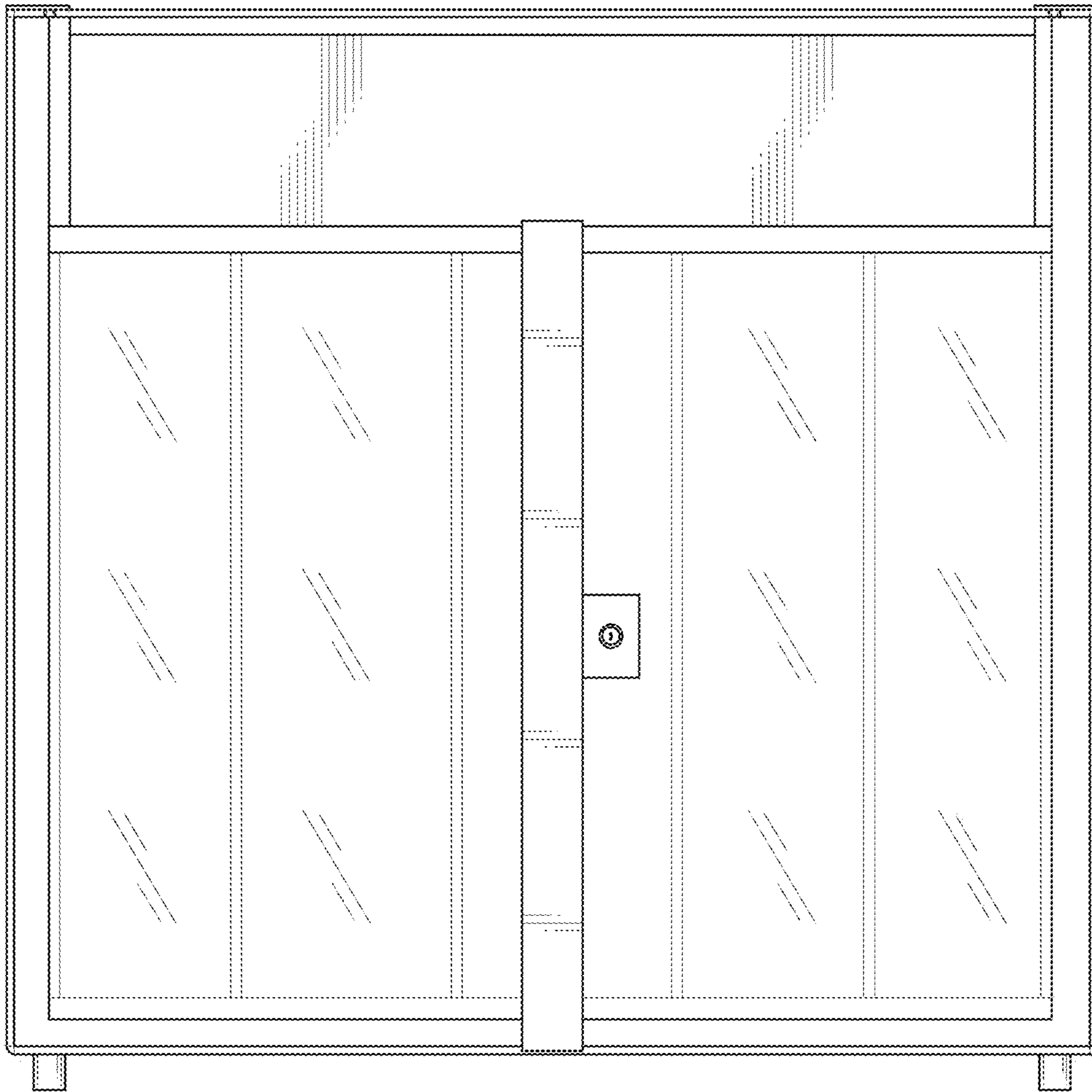


FIG. 2

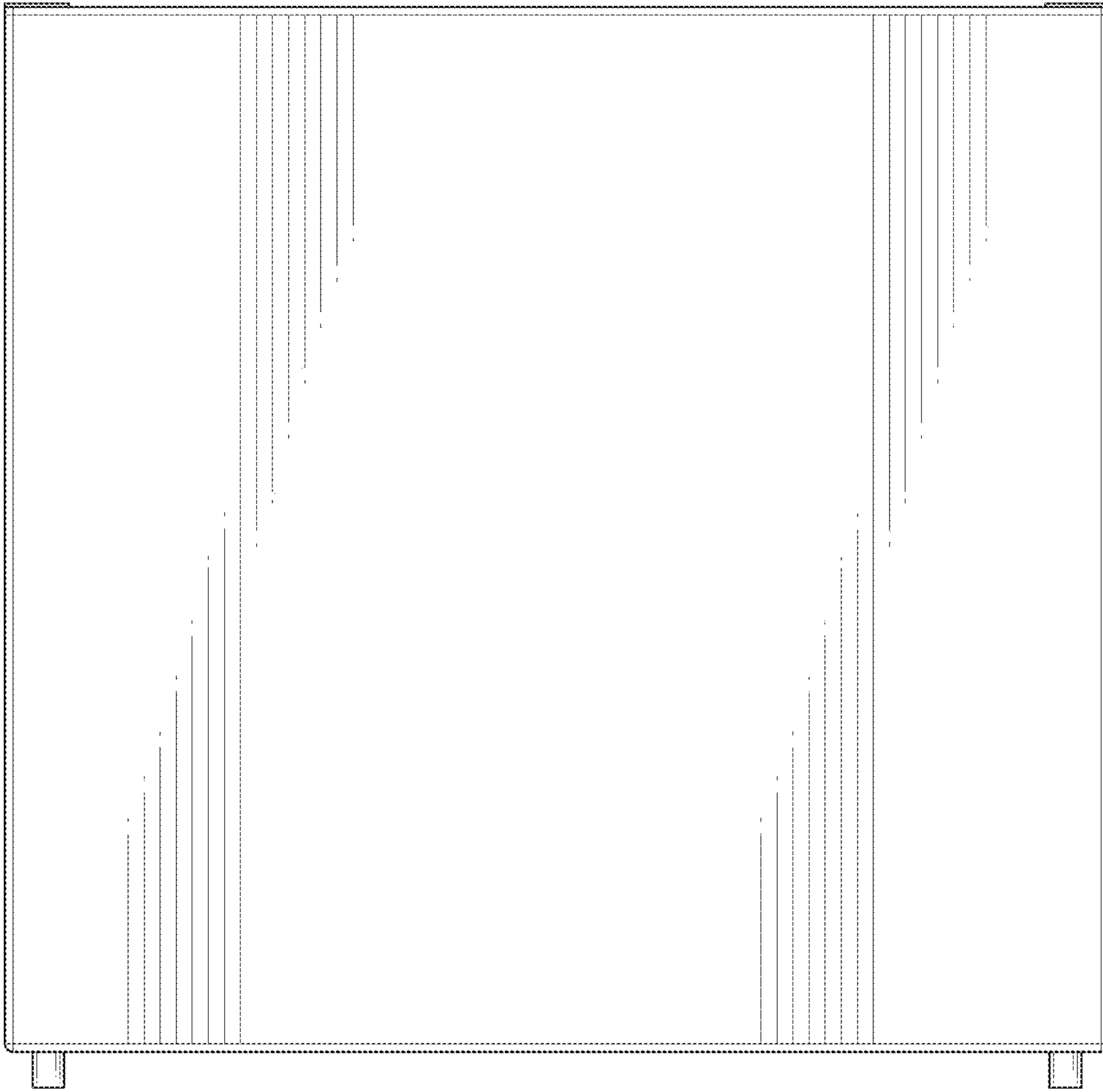


FIG. 3

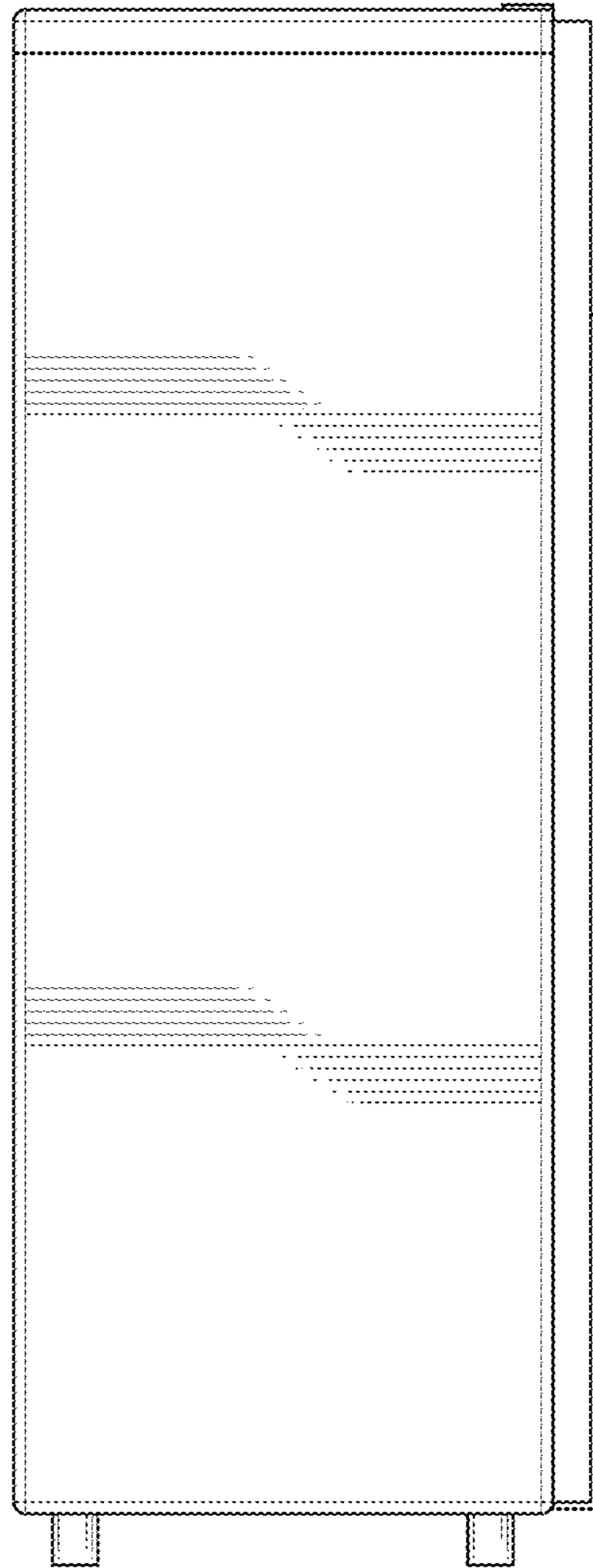


FIG. 4

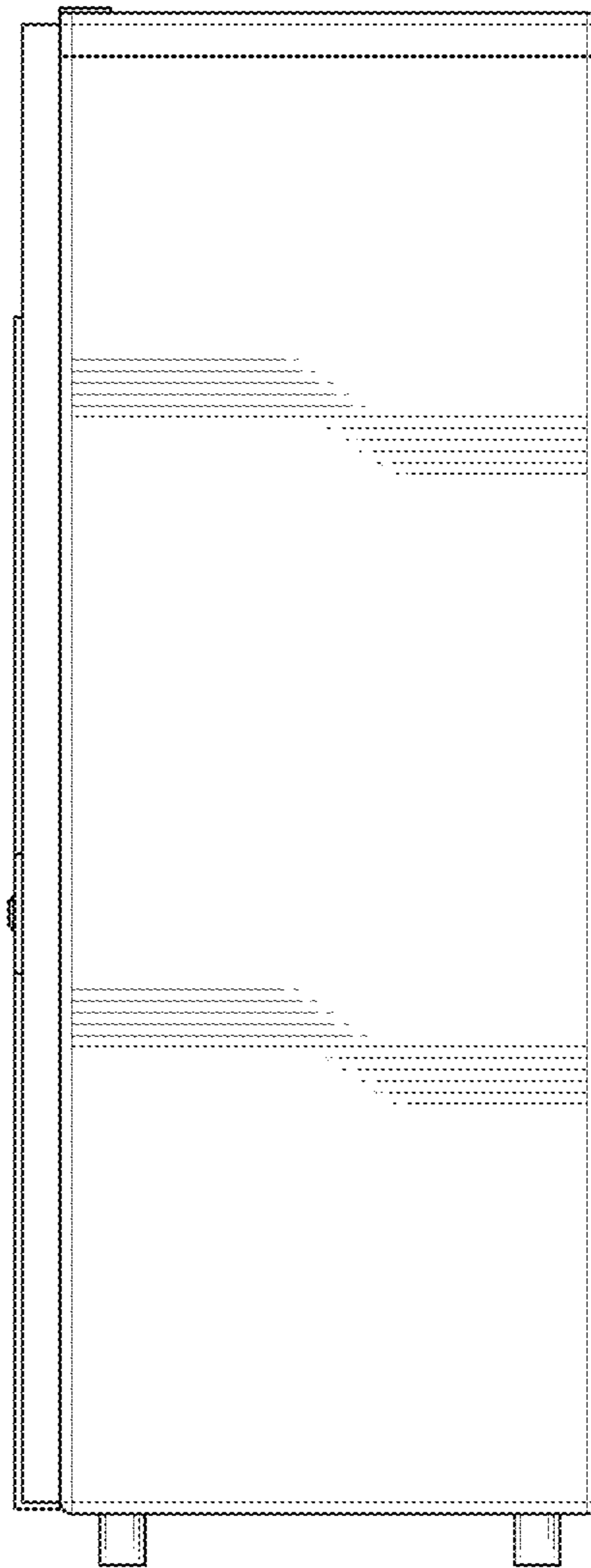


FIG. 5

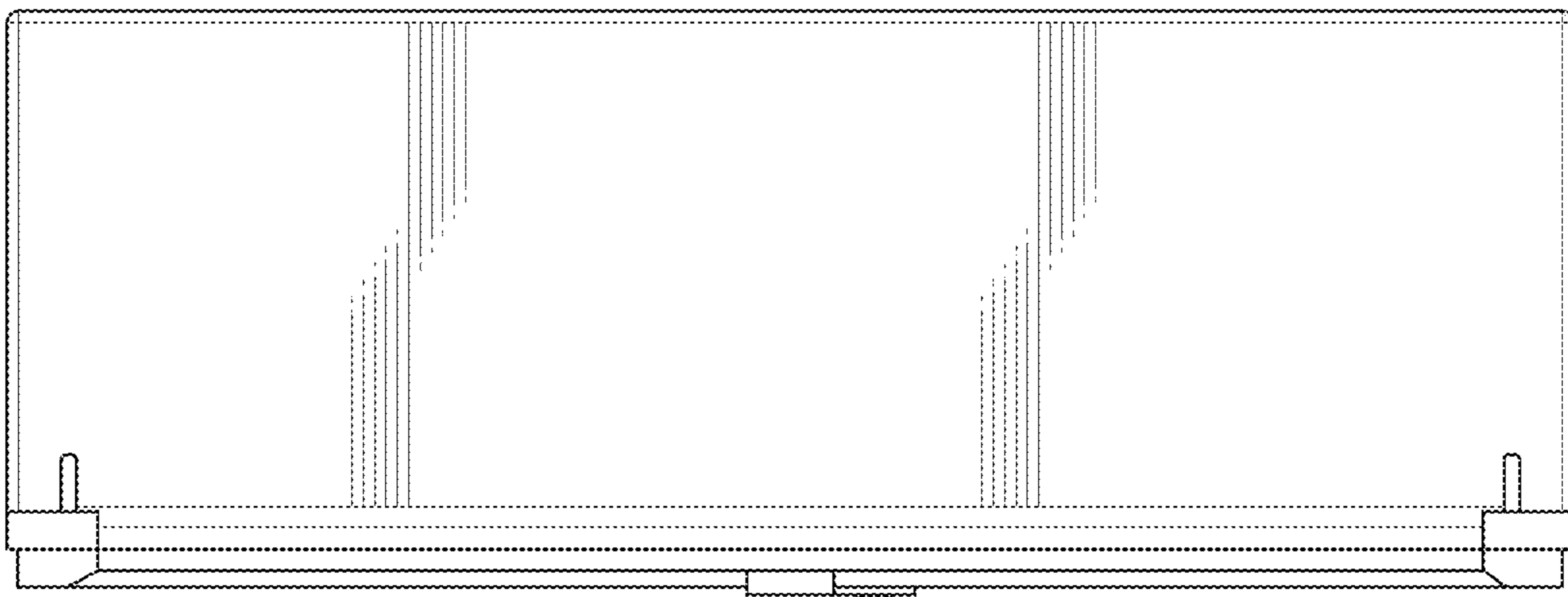


FIG. 6

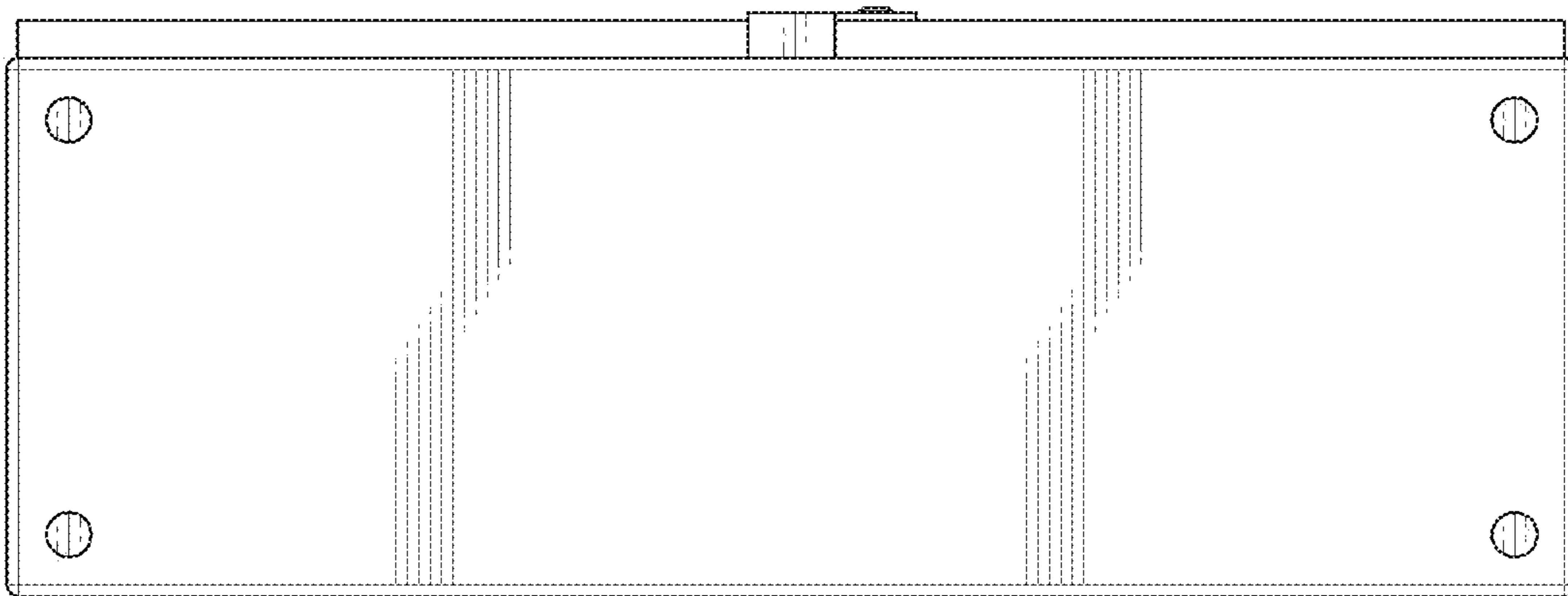


FIG. 7