



US00D938195S

(12) **United States Design Patent** (10) **Patent No.:** **US D938,195 S**
Christmas et al. (45) **Date of Patent:** **** Dec. 14, 2021**

(54) **HOSPITAL BED COVER**
(71) Applicants: **Gregory Christmas**, San Diego, CA (US); **Robert Crousore**, Athol, ID (US)
(72) Inventors: **Gregory Christmas**, San Diego, CA (US); **Robert Crousore**, Athol, ID (US)
(73) Assignees: **MEDFIRE INNOVATIONS INC.**, San Diego, CA (US); **MAGNIANT, LLC**, Carlsbad, CA (US)

7,716,878 B1 * 5/2010 Altman E04H 13/003
52/103
D616,741 S * 6/2010 Andre D9/432
D691,399 S * 10/2013 Jalan D6/602
D692,634 S * 10/2013 Torres D99/12
9,155,397 B2 * 10/2015 D'Amato A47B 97/00
D773,859 S * 12/2016 Feldman D6/602
D847,135 S * 4/2019 Christmas D14/345
D895,321 S * 9/2020 Palit D6/603

(Continued)

(**) Term: **15 Years**

(21) Appl. No.: **29/709,414**

(22) Filed: **Oct. 14, 2019**

(51) **LOC (13) Cl.** **06-13**

(52) **U.S. Cl.**
USPC **D6/610**

(58) **Field of Classification Search**
USPC D6/602, 603, 718, 596, 610, 611;
D99/12
CPC A47C 31/105; A47C 29/003; A47C 31/10;
A47C 31/113; A61G 7/0506; A61G
7/0507; A61G 10/005; A61G 7/05; A61G
7/0501; A47G 9/0246; A47G 11/004;
A47G 2009/001; A47G 9/02; A47B
97/00; B60J 11/00; B62B 5/0013
See application file for complete search history.

(56) **References Cited**

U.S. PATENT DOCUMENTS

D77,116 S * 12/1928 Muckleroy D99/12
2,630,588 A * 3/1953 Levin A47G 9/0246
5/496
D191,070 S * 8/1961 McCreery D9/431
D276,286 S * 11/1984 Evans D3/321
4,948,154 A * 8/1990 Guggenheim A61G 12/001
150/154
5,409,286 A * 4/1995 Huang B60J 11/00
150/166
D606,726 S * 12/2009 Minidis D1/102

OTHER PUBLICATIONS

“0167 Hospital Bed Cover.” Found online Sep. 29, 2021 at www.mymesinc.com. No Verifiable Date. Retrieved from URL: https://www.mymesinc.com/product_p/0167.htm (Year: 2021).*

(Continued)

Primary Examiner — Mary Ann Calabrese
Assistant Examiner — Katelin G Kloberg
(74) *Attorney, Agent, or Firm* — Lewis Roca Rothgerber
Christie LLP

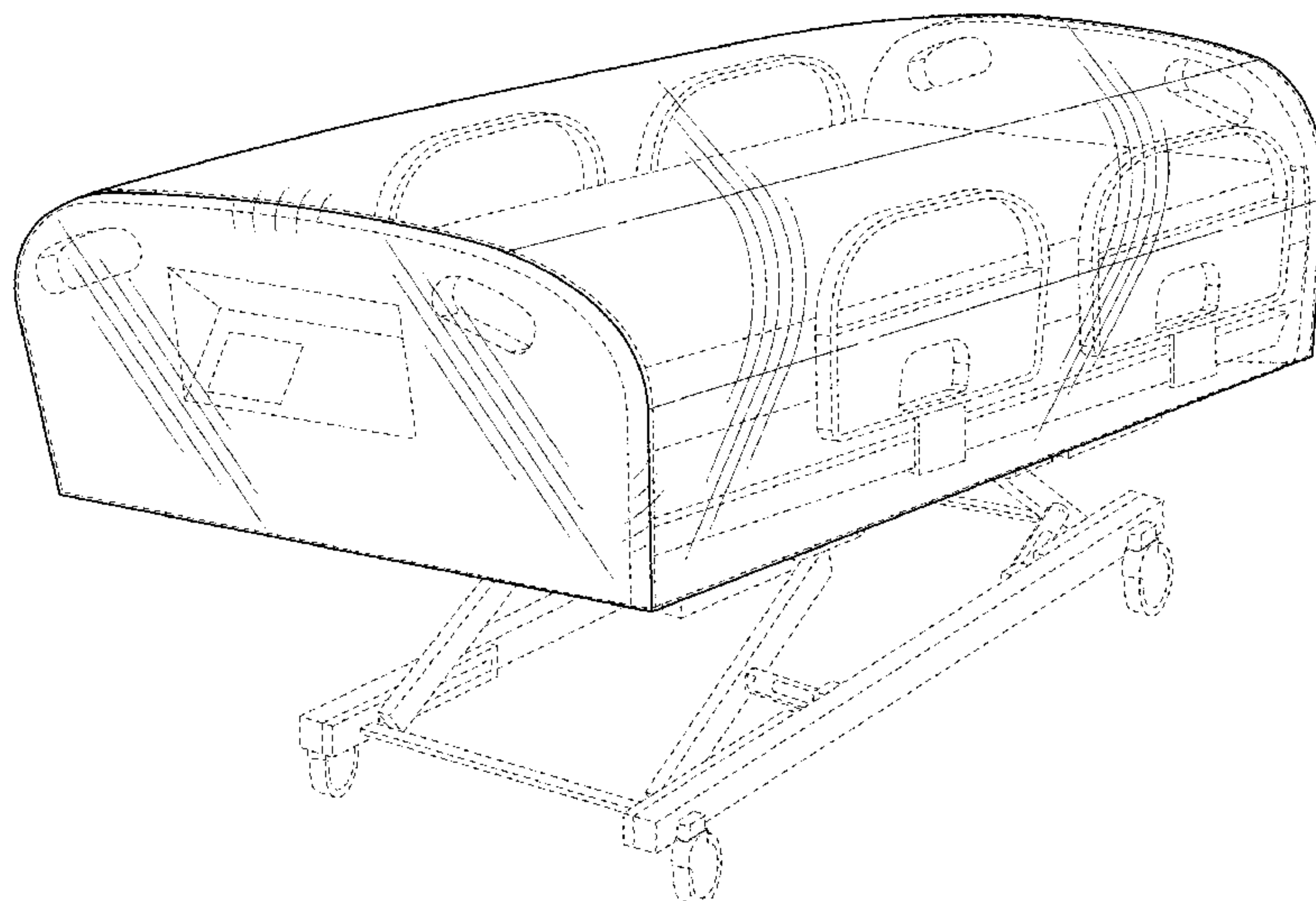
(57) **CLAIM**

The ornamental design for a hospital bed cover, as shown and described.

DESCRIPTION

FIG. 1 is a perspective view of the hospital bed cover;
FIG. 2 is a front view thereof, the rear view being a mirror image thereof;
FIG. 3 is a rear view thereof;
FIG. 4 is a left-side view thereof, the right-side view being a mirror image thereof;
FIG. 5 is a right-side view thereof;
FIG. 6 is a top view thereof; and,
FIG. 7 is a bottom view thereof.
The broken lines depict environmental subject matter that forms no part of the claimed design.

1 Claim, 4 Drawing Sheets



(56)

References Cited

U.S. PATENT DOCUMENTS

2008/0028522 A1* 2/2008 Atwood A47G 9/0246
5/496
2009/0288980 A1* 11/2009 Hadala B65D 71/0096
206/597
2011/0049951 A1* 3/2011 Bettencourt A47C 31/11
297/229
2012/0240860 A1* 9/2012 Suplina A01K 1/0353
119/28.5
2014/0317845 A1* 10/2014 Smith A47G 9/0246
5/482
2015/0208836 A1* 7/2015 Noble A47G 9/02
5/425
2017/0251839 A1* 9/2017 McLeod A47G 9/0246
2021/0106145 A1* 4/2021 Christmas A47C 29/003

OTHER PUBLICATIONS

“Facebook—ClearView Caskets.” Found online Sep. 29, 2021 at www.facebook.com. Post dated Jun. 24, 2020. Retrieved from URL: <https://www.facebook.com/clearviewcaskets/photos/a.1032177860295399/1492641500915697/?type=3&theater> (Year: 2020).*

“Snow White Bunny in Glass Coffin.” Found online Sep. 29, 2021 at www.darlajacksonsculpture.com. Page dated 2015. Retrieved from URL: <https://www.darlajacksonsculpture.com/imported-products/snow-white-bunny-in-glass-coffin> (Year: 2015).*

* cited by examiner

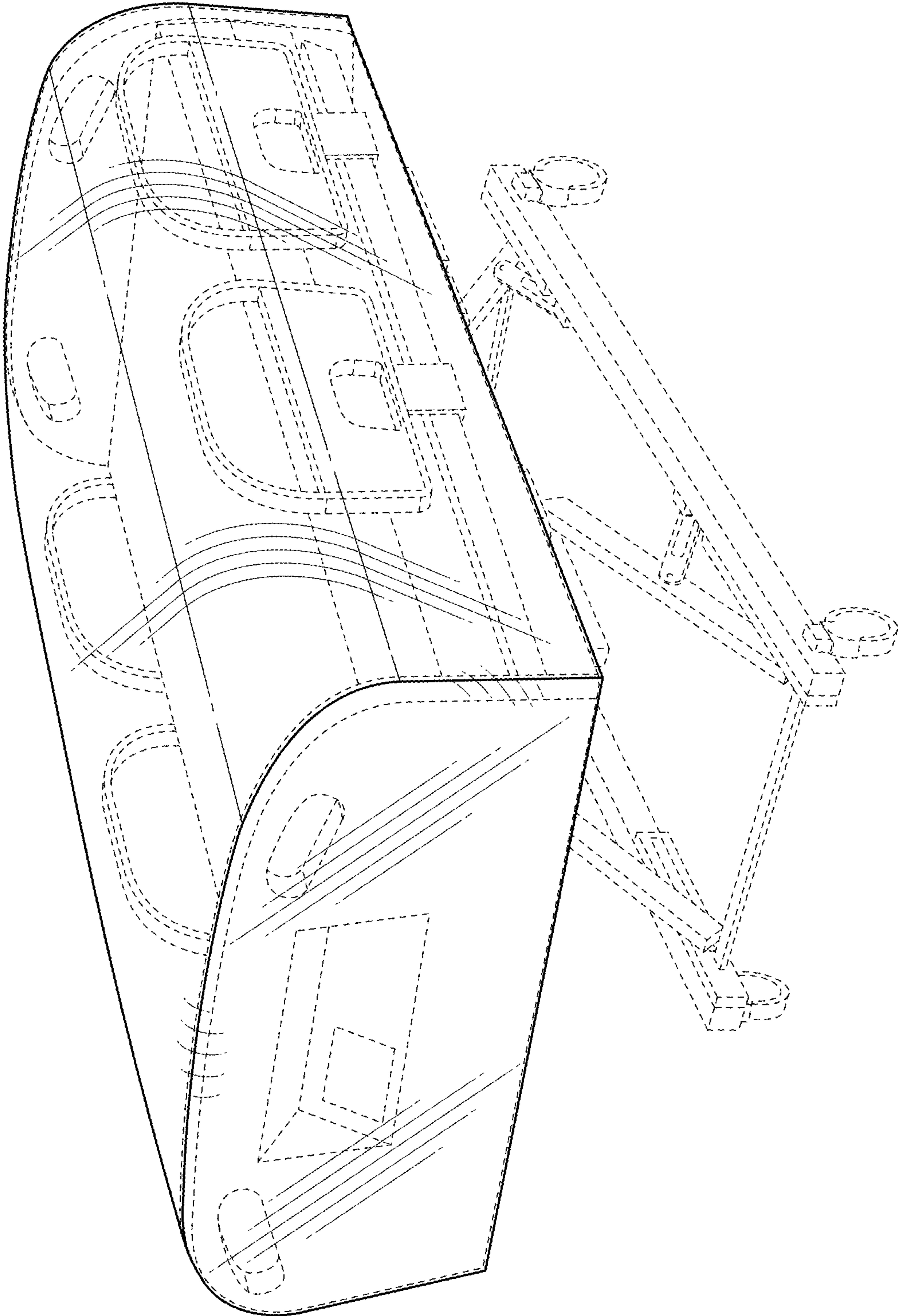


FIG. 1

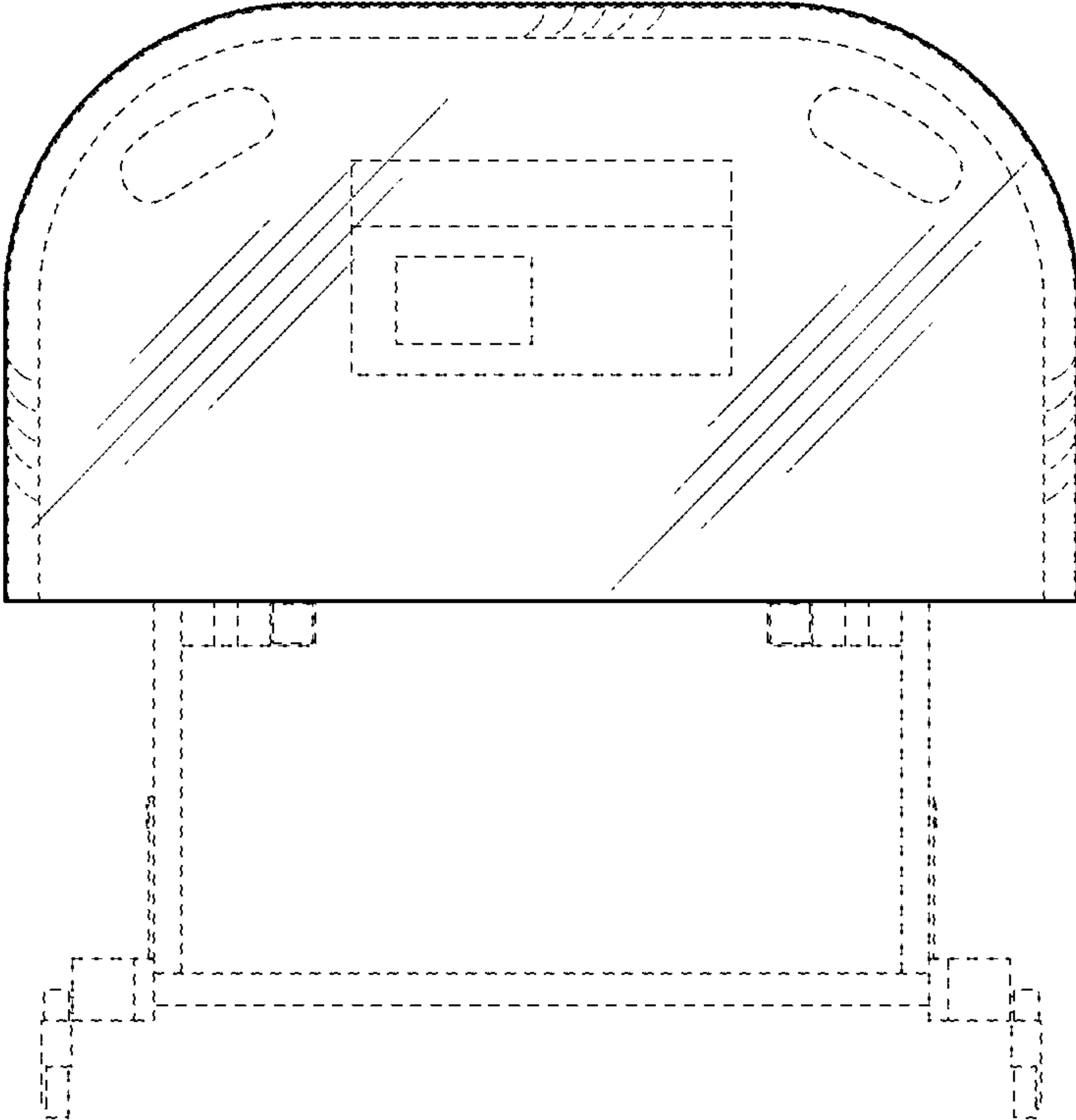


FIG. 2

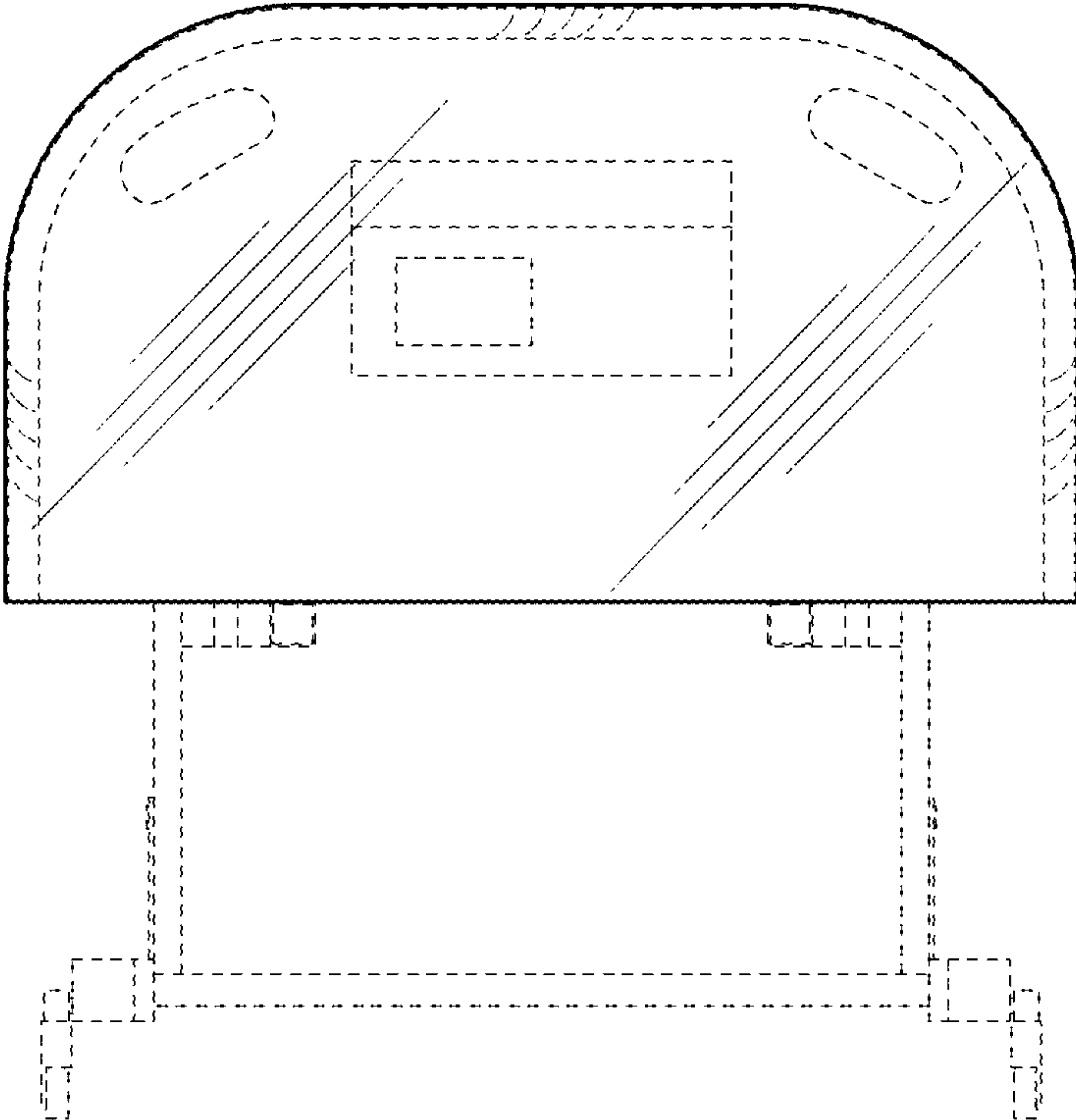


FIG. 3

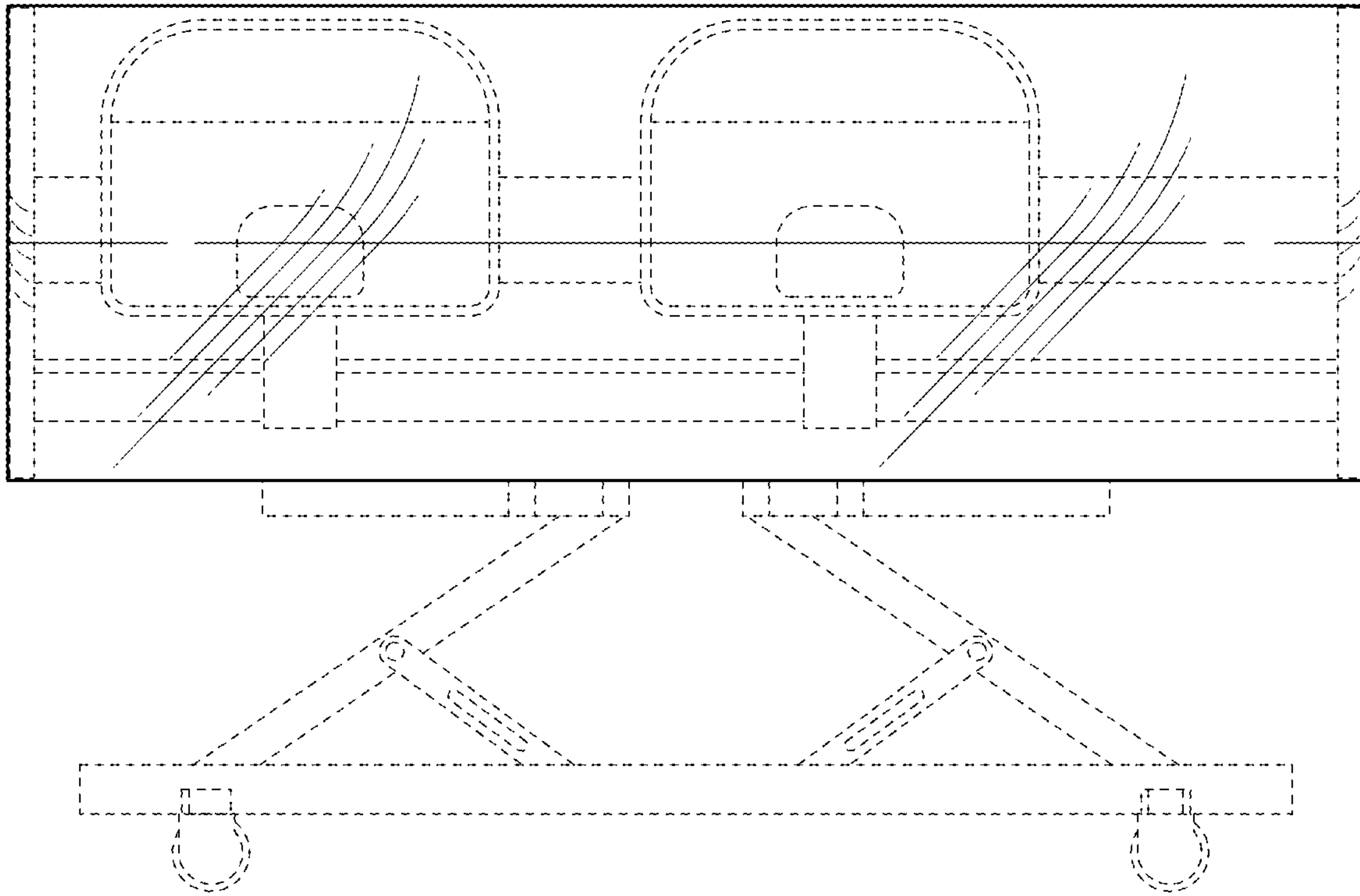


FIG. 4

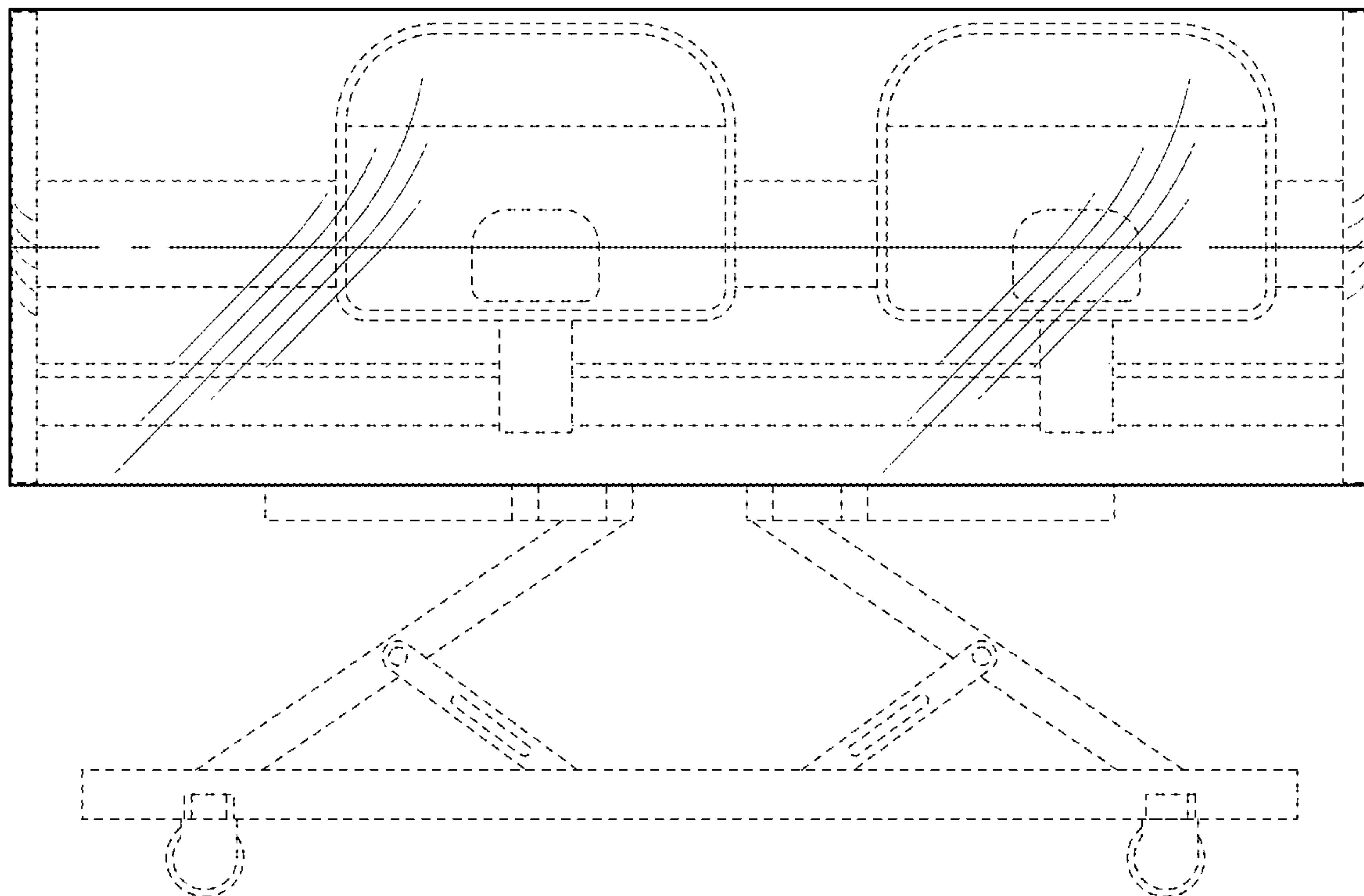


FIG. 5

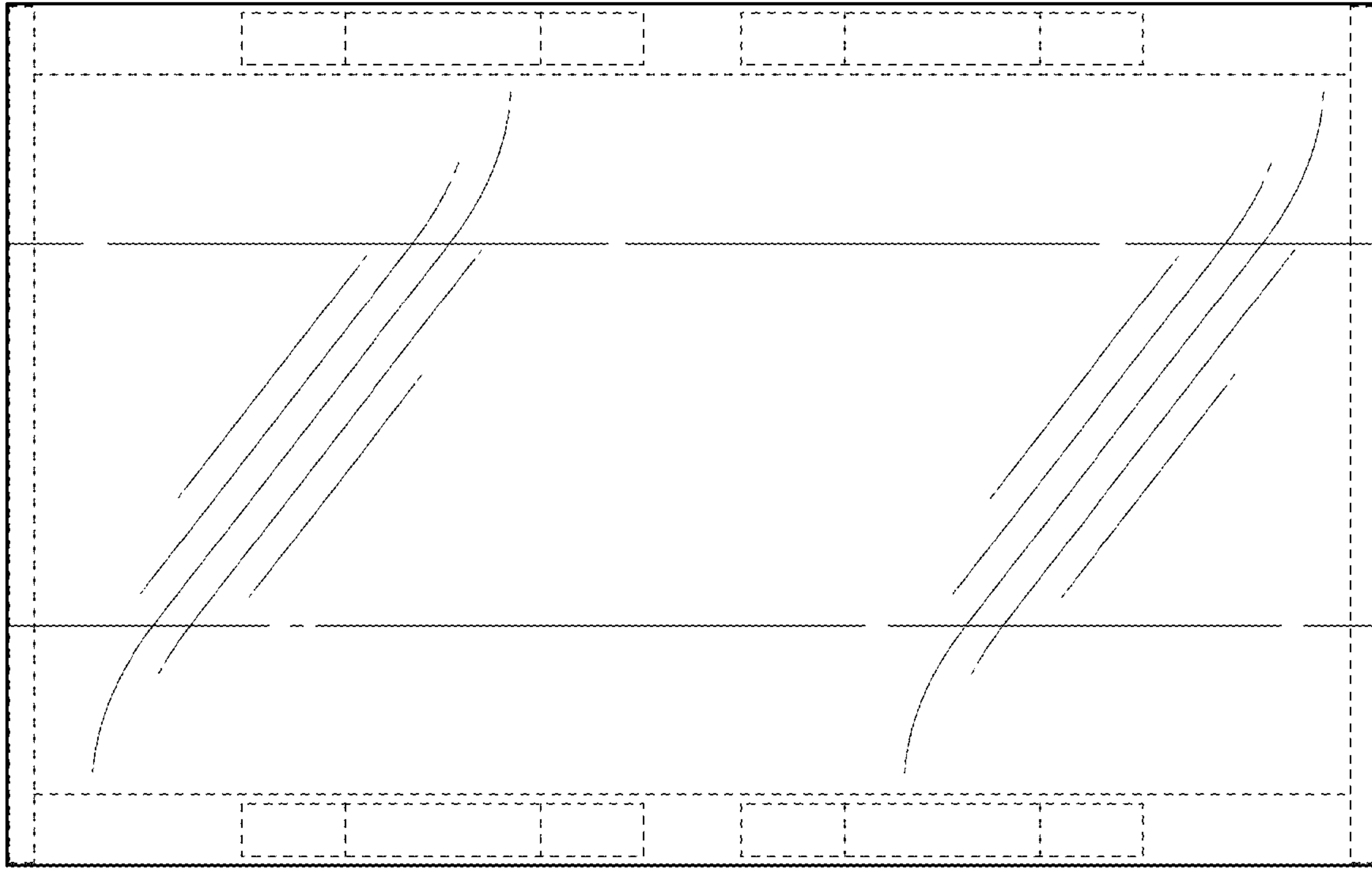


FIG. 6

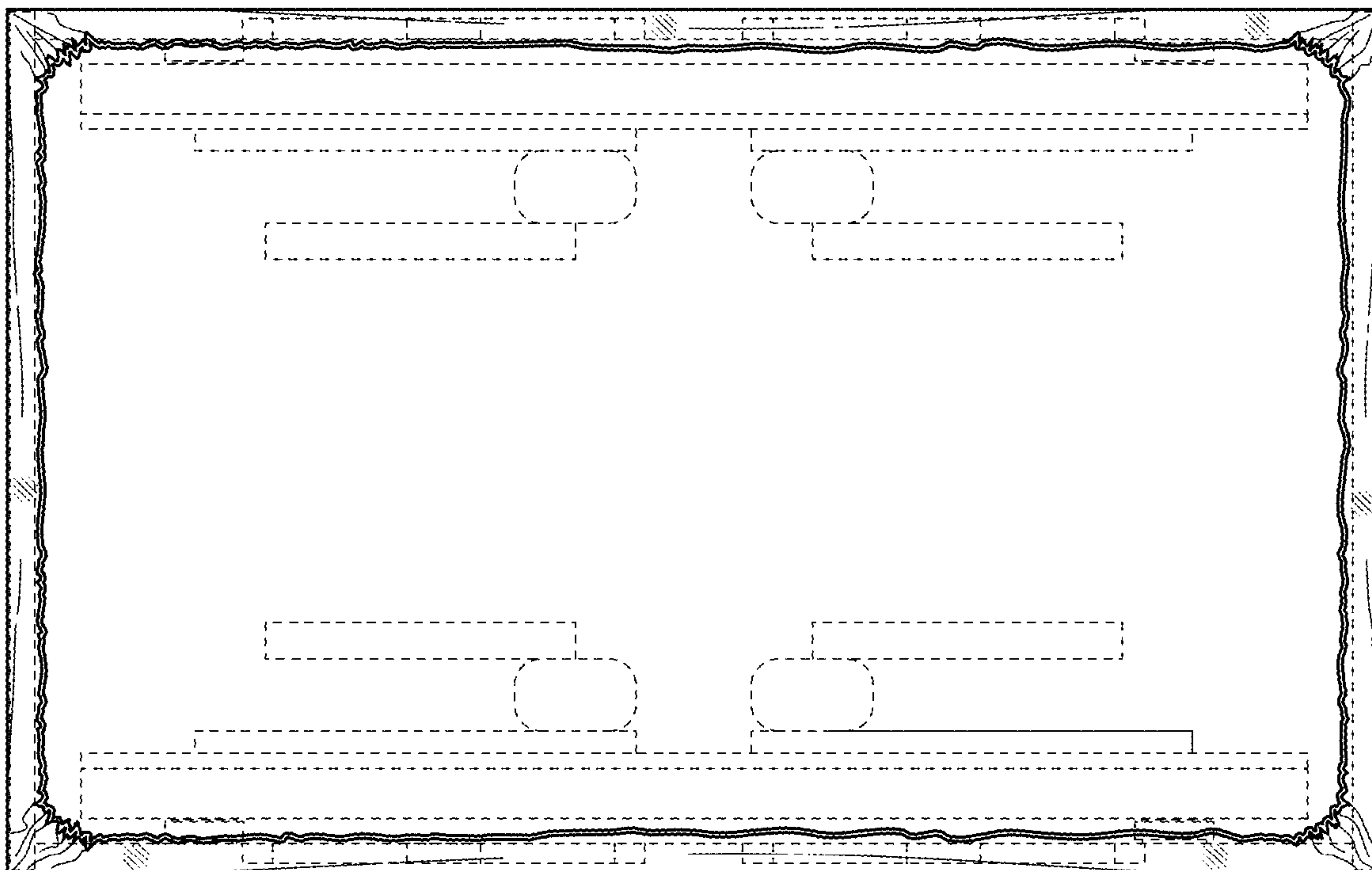


FIG. 7