



US00D938189S

(12) **United States Design Patent** (10) **Patent No.:** **US D938,189 S**
Kalman (45) **Date of Patent:** **** Dec. 14, 2021**

(54) **FOLDABLE TABLE**
(71) Applicant: **Ken Kalman**, Canyon, CA (US)
(72) Inventor: **Ken Kalman**, Canyon, CA (US)
(**) Term: **15 Years**
(21) Appl. No.: **29/728,853**
(22) Filed: **Mar. 21, 2020**
(51) **LOC (13) Cl.** **06-03**
(52) **U.S. Cl.**
USPC **D6/574; D6/555**
(58) **Field of Classification Search**
USPC D6/574, 320-324, 698, 513, 690, 567,
D6/555; 52/287.1; 211/13.1, 42, 86.01,
211/88.01, 90.01; 248/205.3, 256, 243,
248/247, 249, 250; 312/108, 140.2, 229;
108/47, 48, 134
CPC A47B 5/04; A47B 13/16; B60N 3/001;
B60N 3/004; B64D 11/0638; B63B
2029/046; B63B 29/04
See application file for complete search history.

(56) **References Cited**
U.S. PATENT DOCUMENTS
2,911,108 A * 11/1959 Nield A47B 5/04
108/152
D297,694 S * 9/1988 Rose D6/566
4,779,539 A * 10/1988 Stiglich A47B 5/04
108/38
4,998,484 A * 3/1991 Groetzinger A47B 5/04
108/115
D325,838 S * 5/1992 Lamprey D6/574
5,156,096 A * 10/1992 Lamprey A47B 96/027
108/108
D336,579 S * 6/1993 Keller D12/420
D352,198 S * 11/1994 Wright D6/574
D355,990 S * 3/1995 Vincelli D6/555
D366,799 S * 2/1996 Curtin D6/574

D379,570 S * 6/1997 Moon D6/574
D546,611 S * 7/2007 Bouroullec D6/574
D604,539 S * 11/2009 Kennedy D6/574
D612,182 S * 3/2010 Bremmon D6/567
D782,845 S * 4/2017 Golembieski D6/574
D782,846 S * 4/2017 Golembieski D6/574
D784,730 S * 4/2017 Kruger D6/574
D865,395 S * 11/2019 Allen D6/574
D878,102 S * 3/2020 Carr D6/574

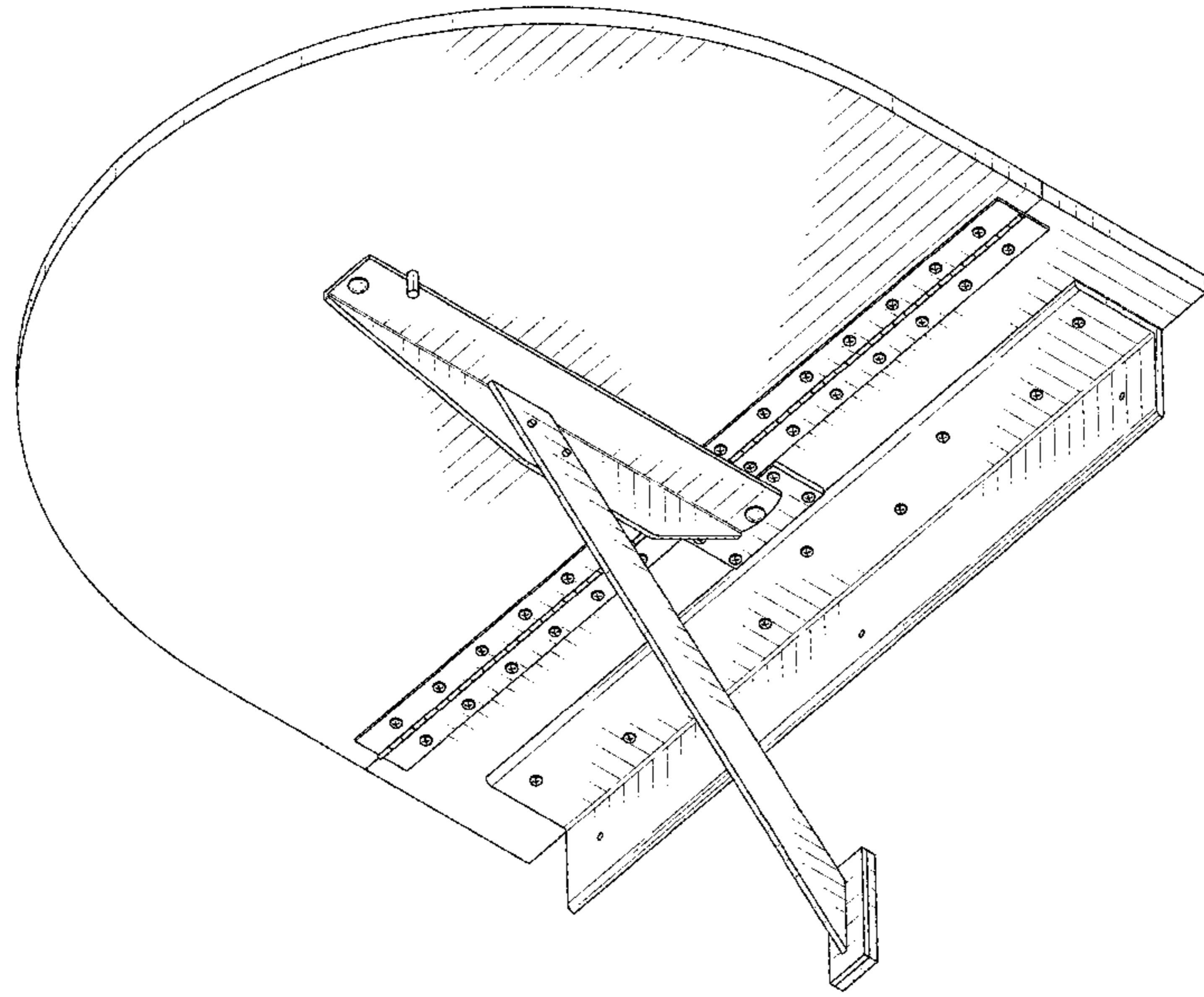
(Continued)

Primary Examiner — Nathan M Johnston
(74) *Attorney, Agent, or Firm* — Richard Bennett Salles

(57) **CLAIM**
The ornamental design for a foldable table, as shown and described.

DESCRIPTION
U.S. Pat. No. D 564,250—Collapsible Table—Haimoff (2008)
U.S. Pat. No. D 754,991—Modular Wall Recessed Furniture Gosling (2016)
U.S. Pat. No. D 742,526S—Veterinary Table—Haake et al (2015)
U.S. Pat. No. D 618,939S—Convertible Wall Mount—Gibbs (2010)
U.S. Pat. No. 1,890,526—Folding Shelf—McEwing (1932)
U.S. Pat. No. 6,779,467 B1—Hideaway Desk—McCoy et al (2004)
U.S. Pat. No. 5,033,134—Cabinet Wall Bed—Burchett (1991)
FIG. 1 is a lower right perspective view of the foldable table showing my new design.
FIG. 2 is a rear view thereof.
FIG. 3 is a front view thereof.
FIG. 4 is a left side view thereof.
FIG. 5 is a right side view thereof.
FIG. 6 is a top plan view thereof; and,
FIG. 7 is a bottom plan view thereof.

1 Claim, 5 Drawing Sheets



(56)

References Cited

U.S. PATENT DOCUMENTS

10,709,235 B1 * 7/2020 Brown B64D 11/0638
D910,333 S * 2/2021 Davis D6/574
D910,334 S * 2/2021 Davis D6/574
D916,519 S * 4/2021 Davis D6/574
2019/0320791 A1 * 10/2019 Yen A47B 77/10

* cited by examiner

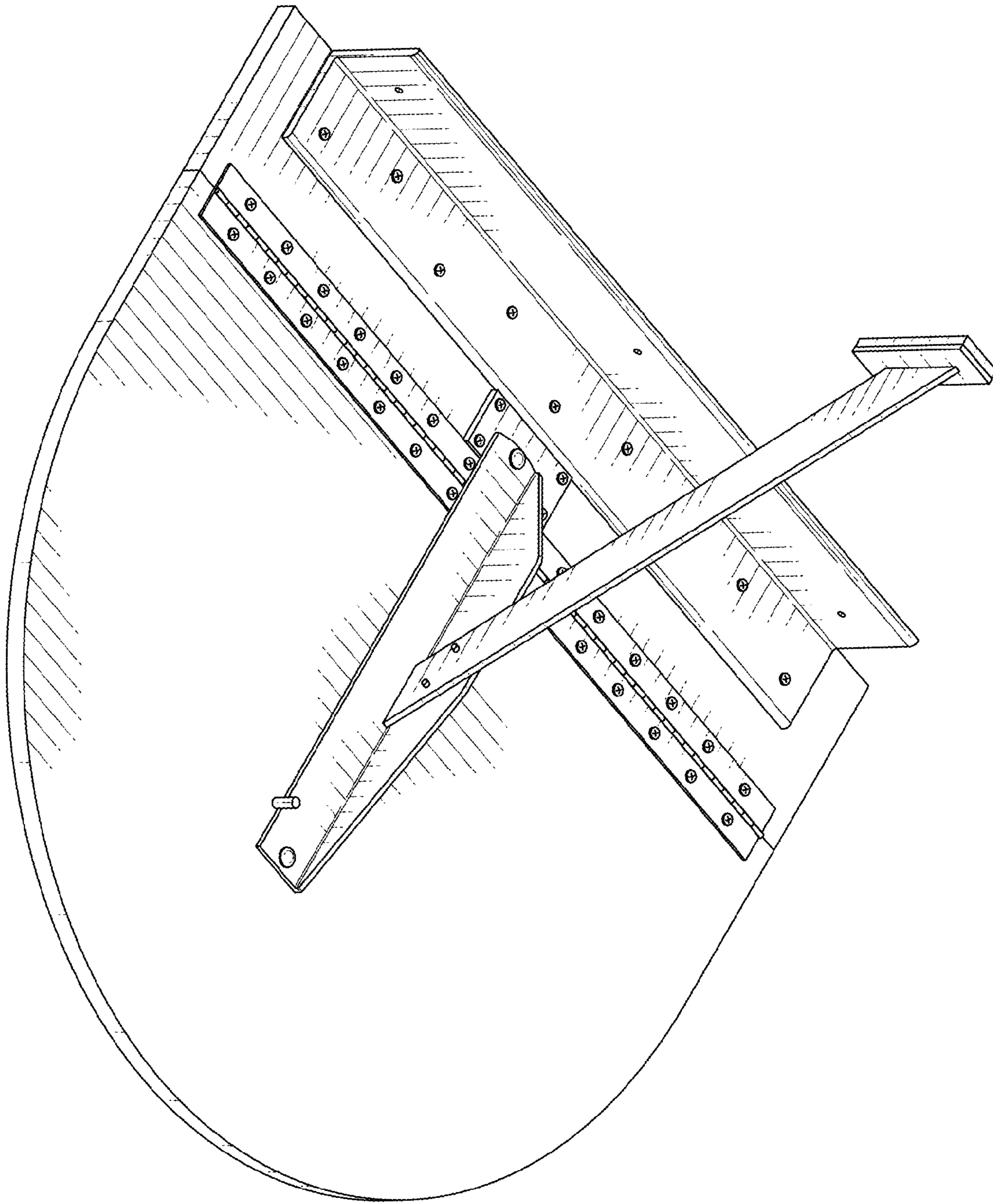


FIG. 1

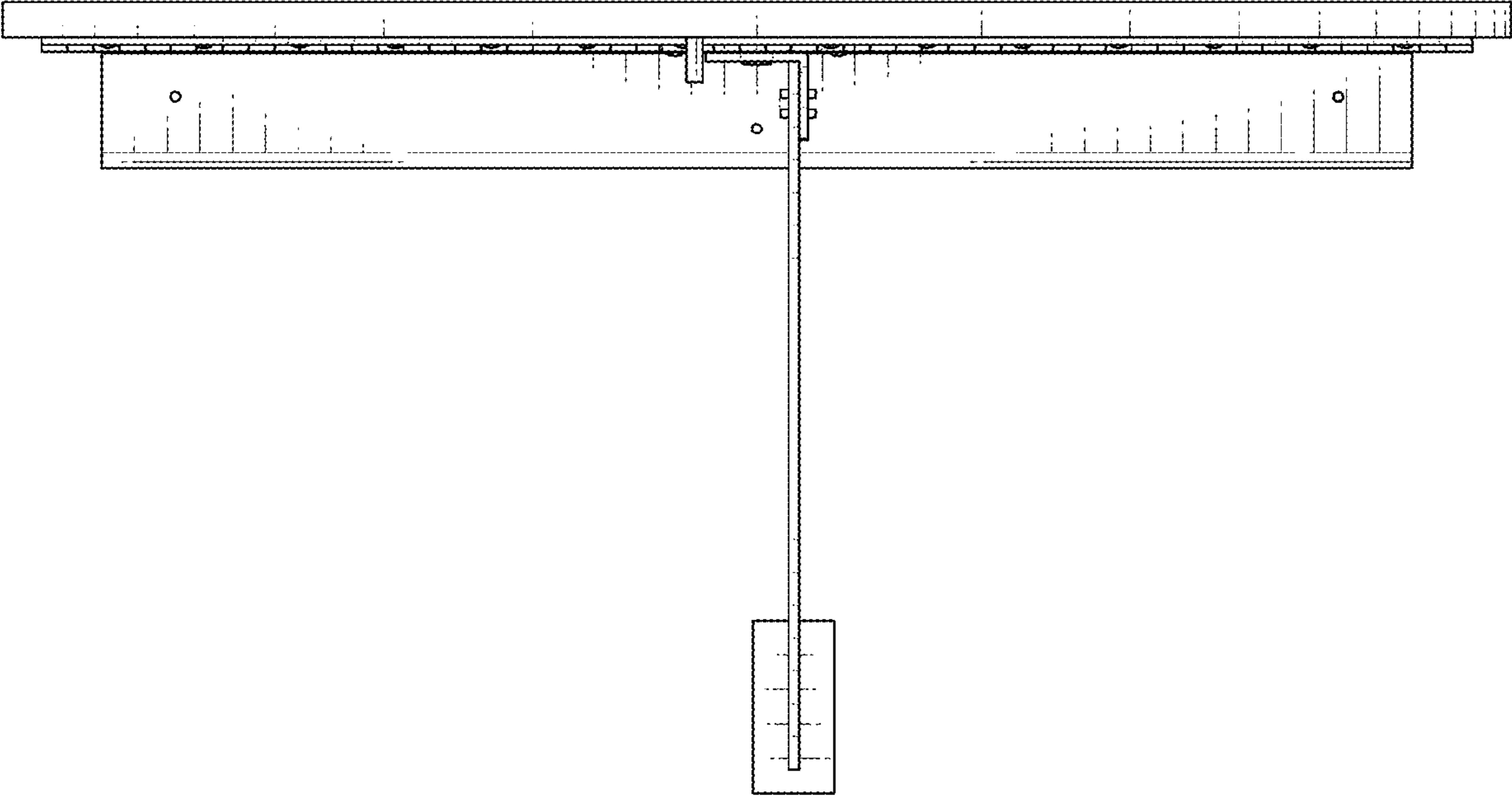


FIG. 2

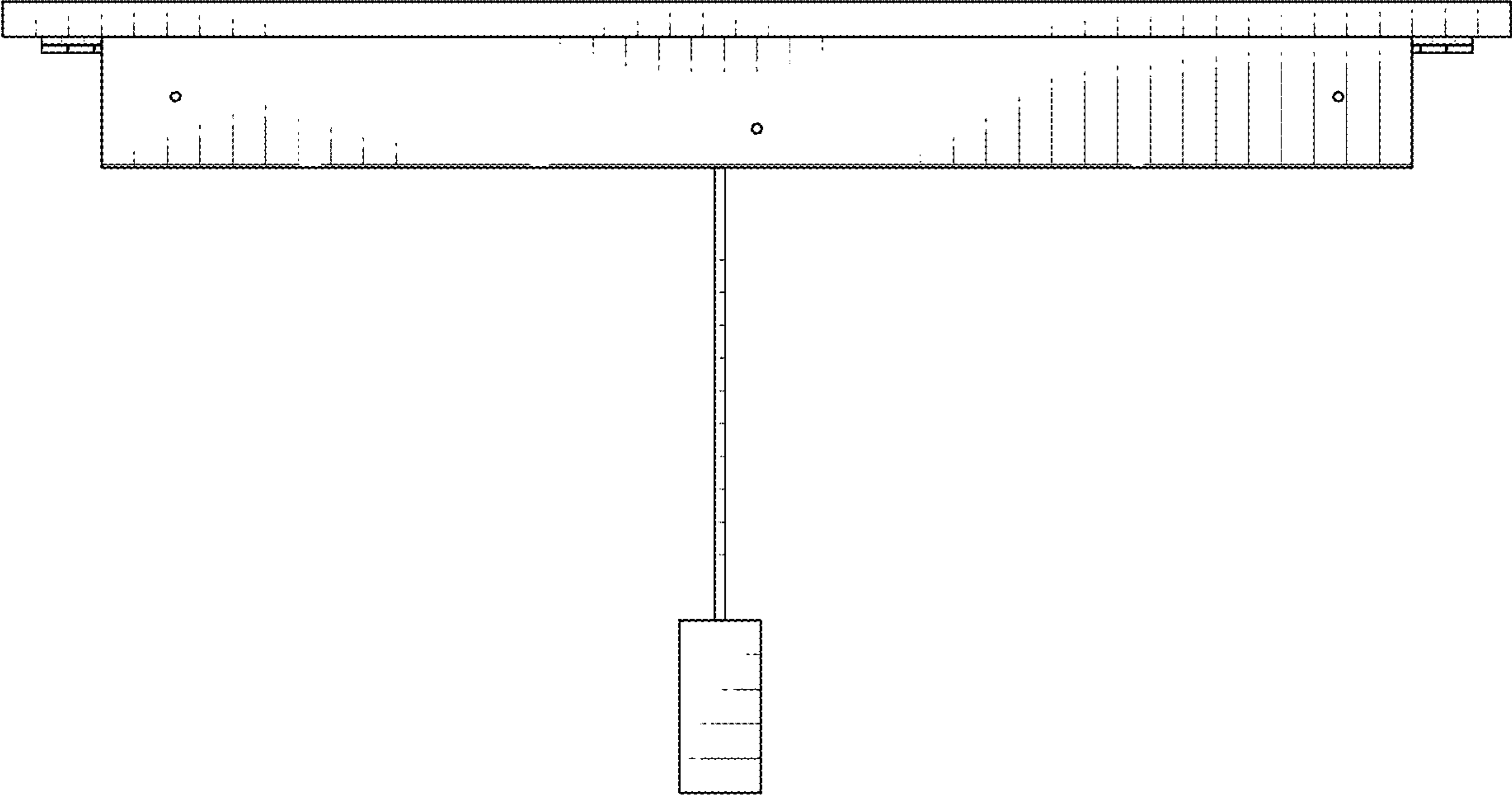


FIG. 3

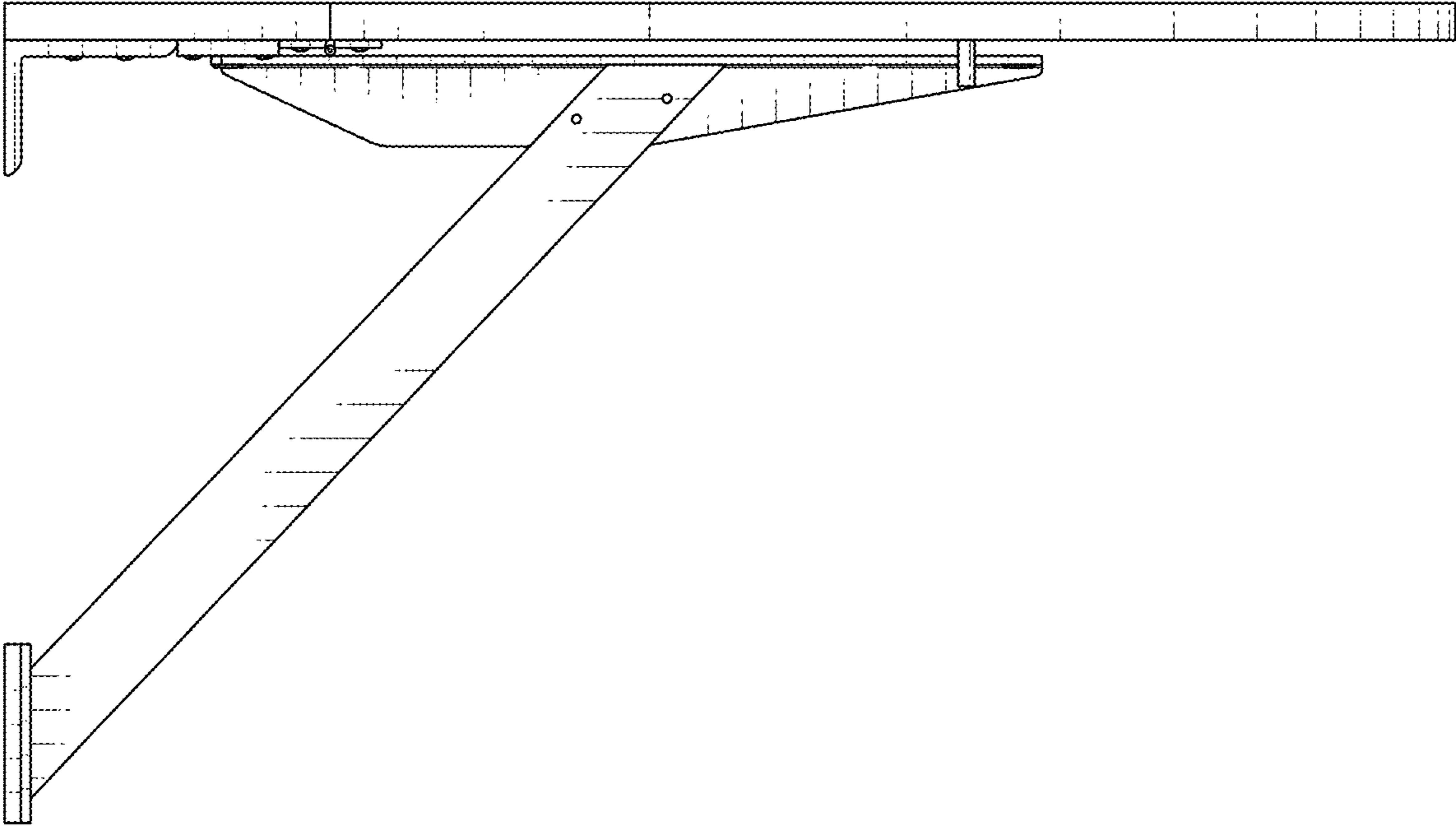


FIG. 4

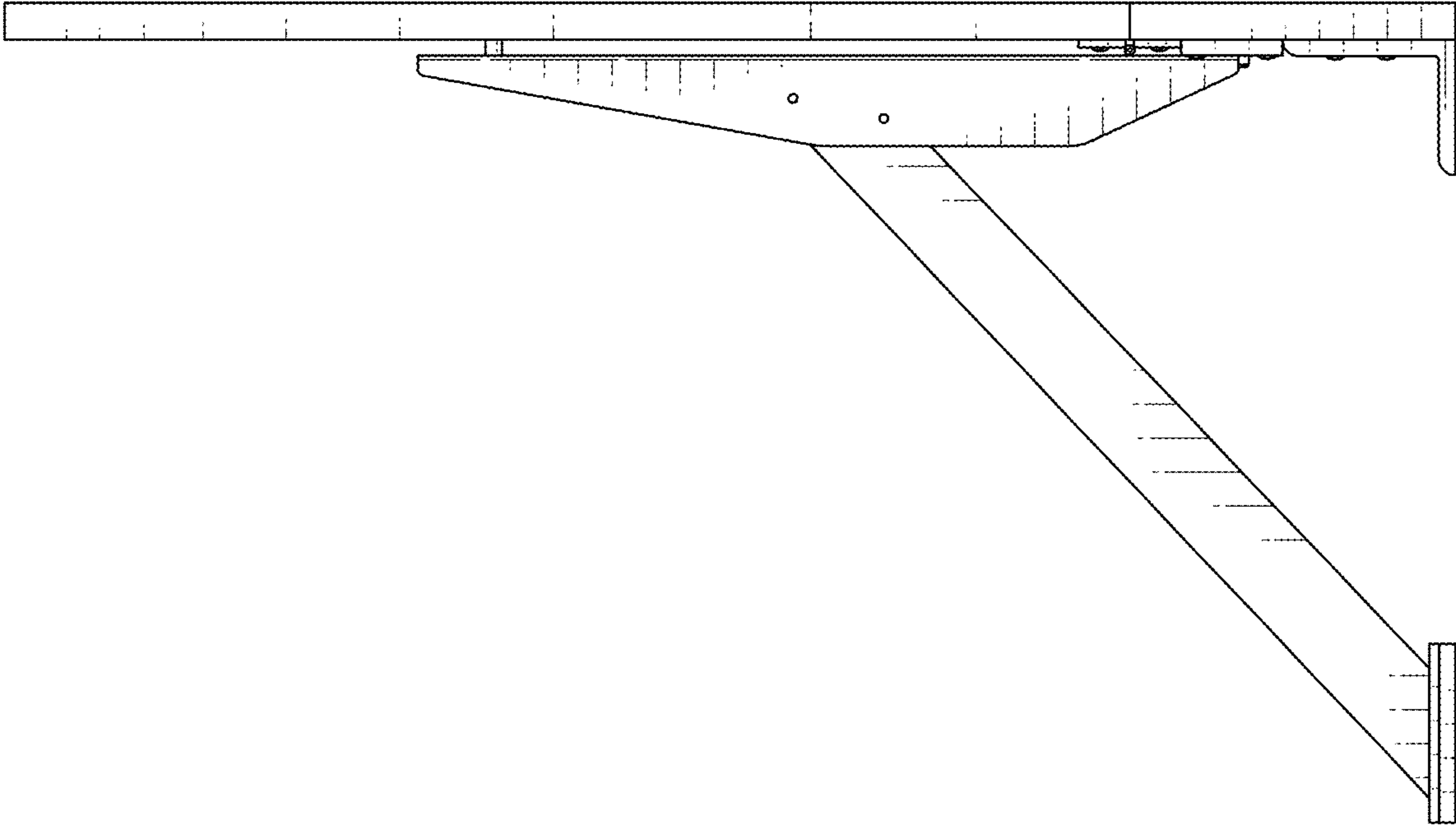


FIG. 5

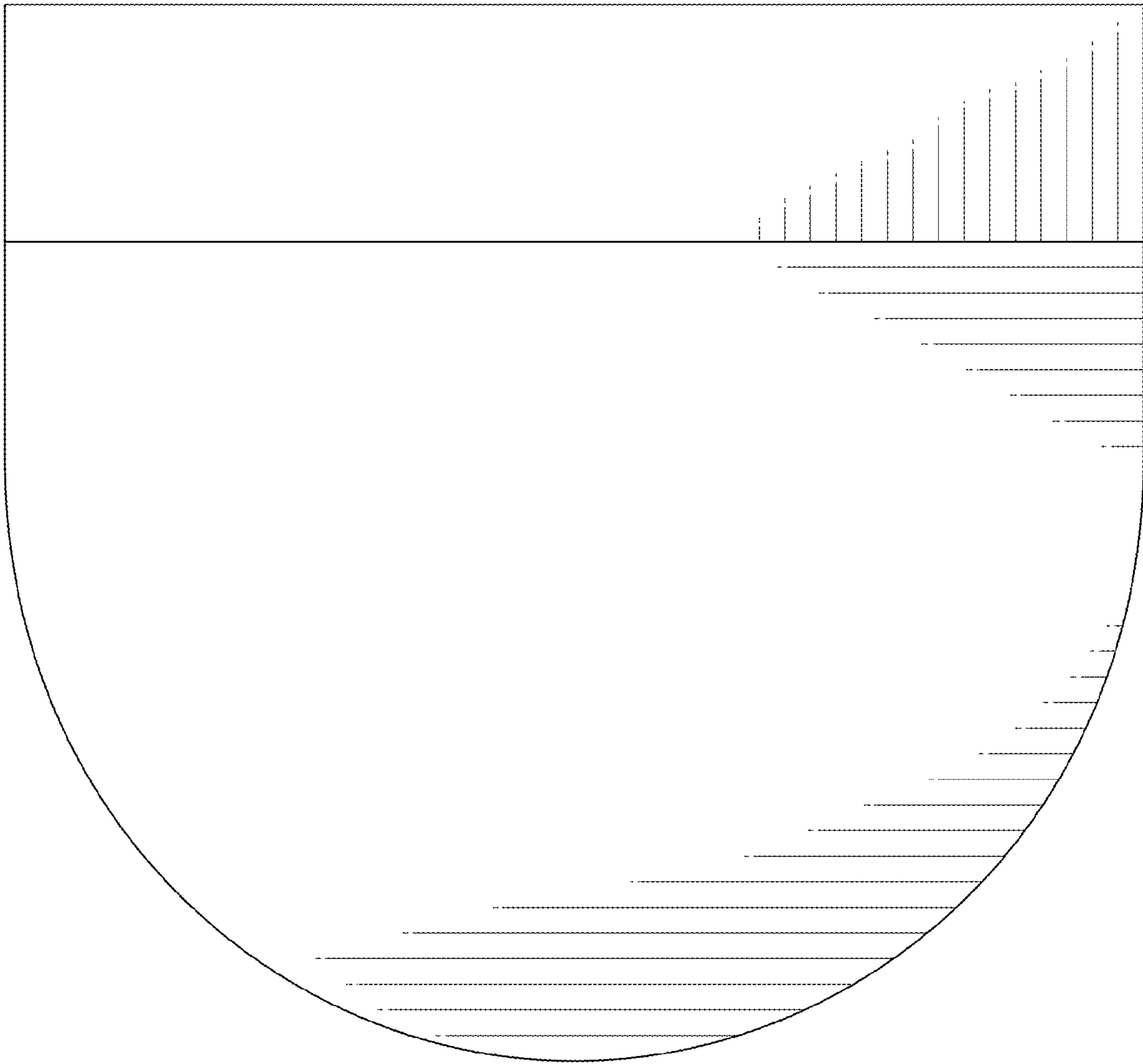


FIG. 6

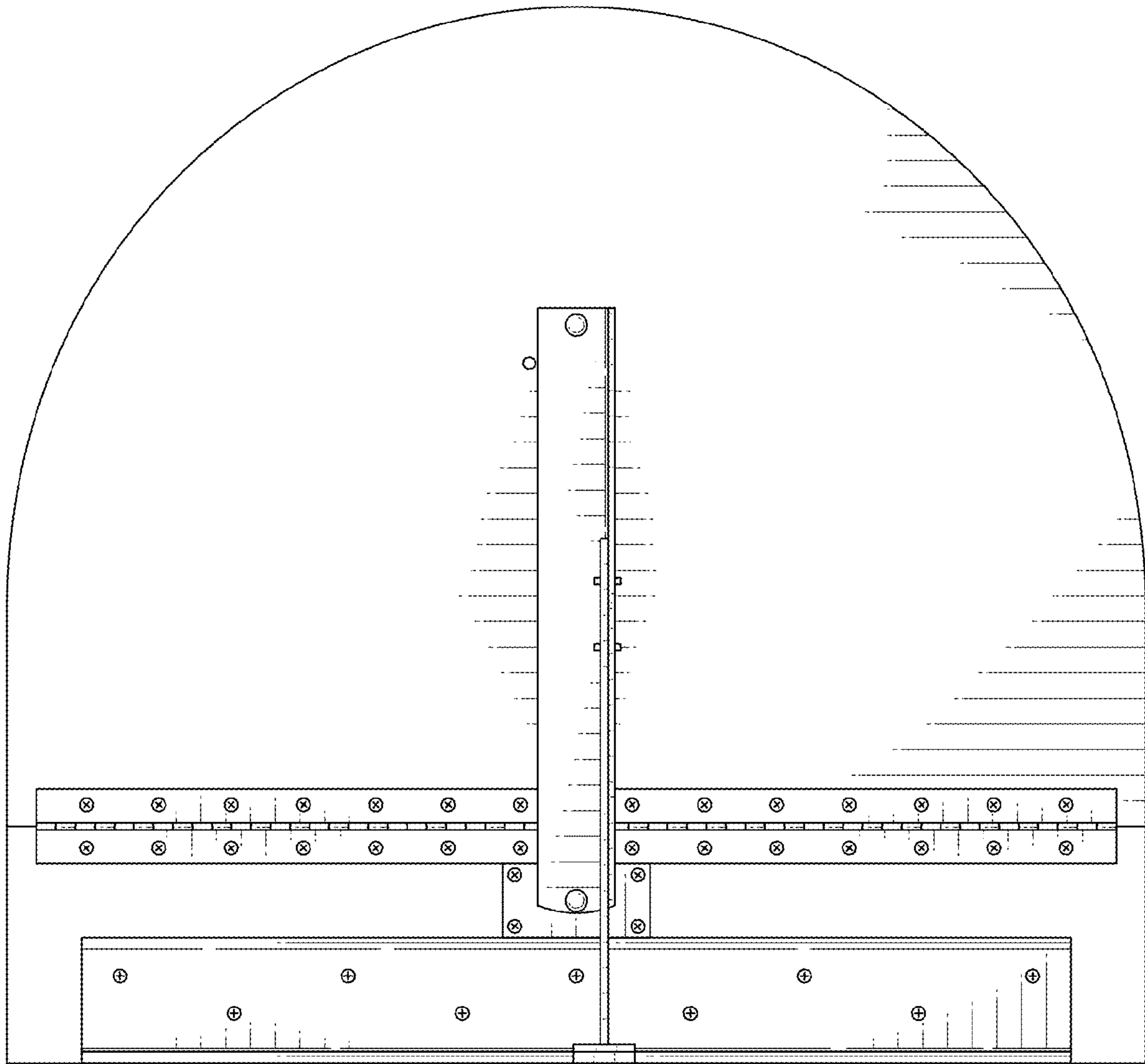


FIG. 7