



US00D938187S

(12) **United States Design Patent** (10) **Patent No.:** **US D938,187 S**
Pape (45) **Date of Patent:** **** Dec. 14, 2021**

(54) **HYBRID AEROPONIC/HYDROPONIC GROWING SYSTEM**

(71) Applicant: **AerosourceH LLC**, Kevil, KY (US)

(72) Inventor: **Nathaniel Pape**, Marion, IL (US)

(73) Assignee: **AerosourceH LLC**, Kevil, KY (US)

(**) Term: **15 Years**

(21) Appl. No.: **29/754,616**

(22) Filed: **Oct. 13, 2020**

Related U.S. Application Data

(63) Continuation of application No. 16/792,443, filed on Feb. 17, 2020.

(51) **LOC (13) Cl.** **06-04**

(52) **U.S. Cl.**
USPC **D6/556**

(58) **Field of Classification Search**
USPC D15/10, 28; D6/512-514, 556, 553, 567;
47/62

CPC A01G 31/02; A01G 2/10
See application file for complete search history.

(56) **References Cited**

U.S. PATENT DOCUMENTS

D245,681 S *	9/1977	Farner	D11/144
D438,487 S *	3/2001	Madden, IV	D11/156
D438,816 S *	3/2001	Madden, IV	D11/156
D640,080 S *	6/2011	Busch	D6/556
2016/0235023 A1 *	8/2016	Thoma	A01G 31/02
2017/0099791 A1 *	4/2017	Joseph	A01G 31/04
2017/0347548 A1 *	12/2017	Jollie	A01G 31/02

2018/0325055 A1 *	11/2018	Krakover	A01G 31/06
2019/0335691 A1 *	11/2019	Krakover	A01G 31/06
2020/0375127 A1 *	12/2020	Thoma	A01G 9/247
2021/0195847 A1 *	7/2021	Cuello	A01G 9/246

* cited by examiner

Primary Examiner — Mark A Goodwin

(74) *Attorney, Agent, or Firm* — The Law Offices of John G. Posa

(57) **CLAIM**

The ornamental design for hybrid aeroponic/hydroponic growing system, as shown and described.

DESCRIPTION

FIG. 1 is a top perspective view of a hybrid aeroponic/hydroponic growing system;

FIG. 2 is a bottom perspective view of a hybrid aeroponic/hydroponic growing system;

FIG. 3 is a top view of a hybrid aeroponic/hydroponic growing system;

FIG. 4 is a bottom view of a hybrid aeroponic/hydroponic growing system;

FIG. 5 is a side view of a hybrid aeroponic/hydroponic growing system;

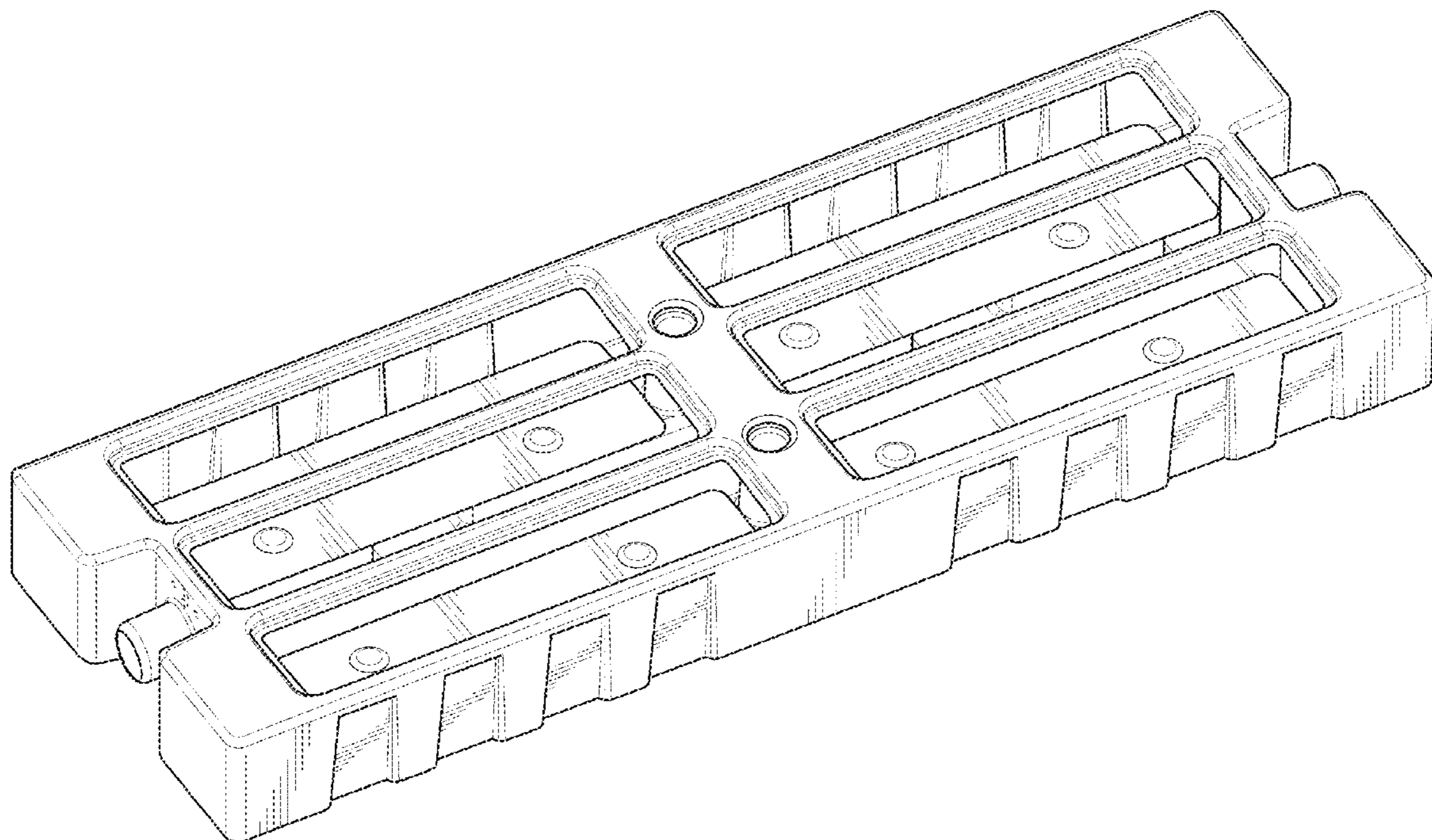
FIG. 6 is an opposing side view of a hybrid aeroponic/hydroponic growing system;

FIG. 7 is an end view of a hybrid aeroponic/hydroponic growing system; and,

FIG. 8 is an opposing end view of a hybrid aeroponic/hydroponic growing system.

The broken lines in the drawings depict portions of the hybrid aeroponic/hydroponic growing system that form no part of the claimed design.

1 Claim, 5 Drawing Sheets



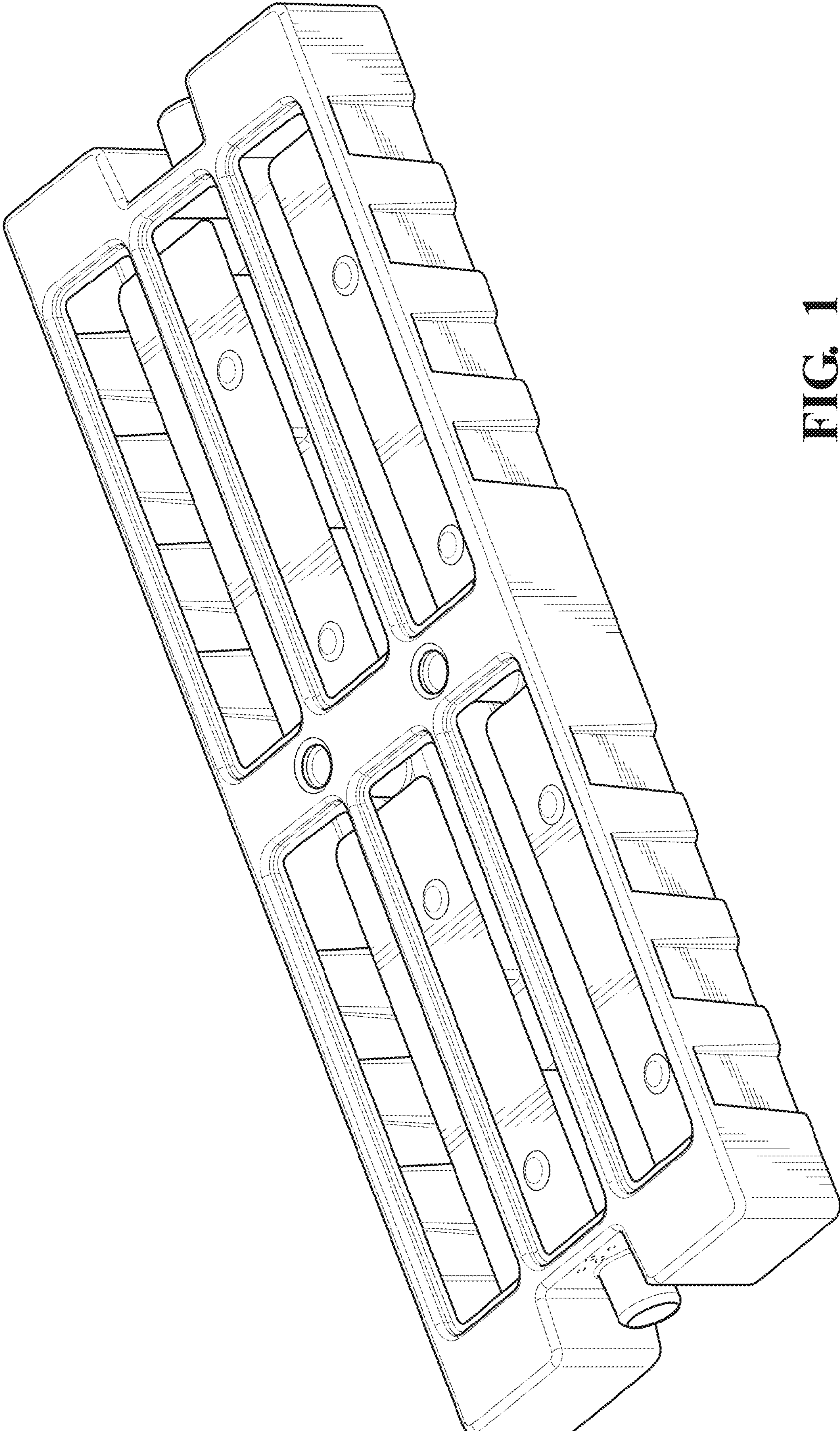


FIG. 1

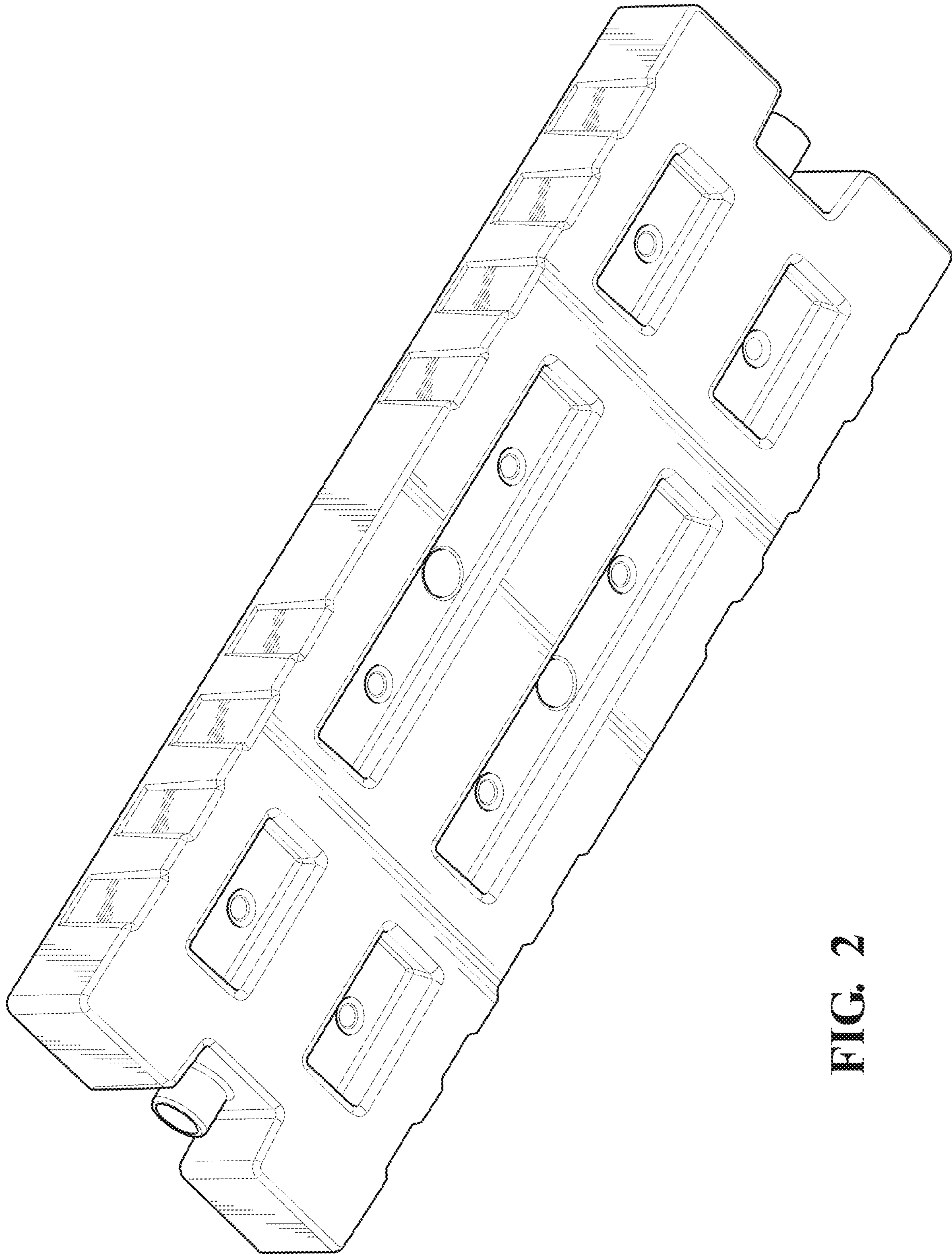


FIG. 2

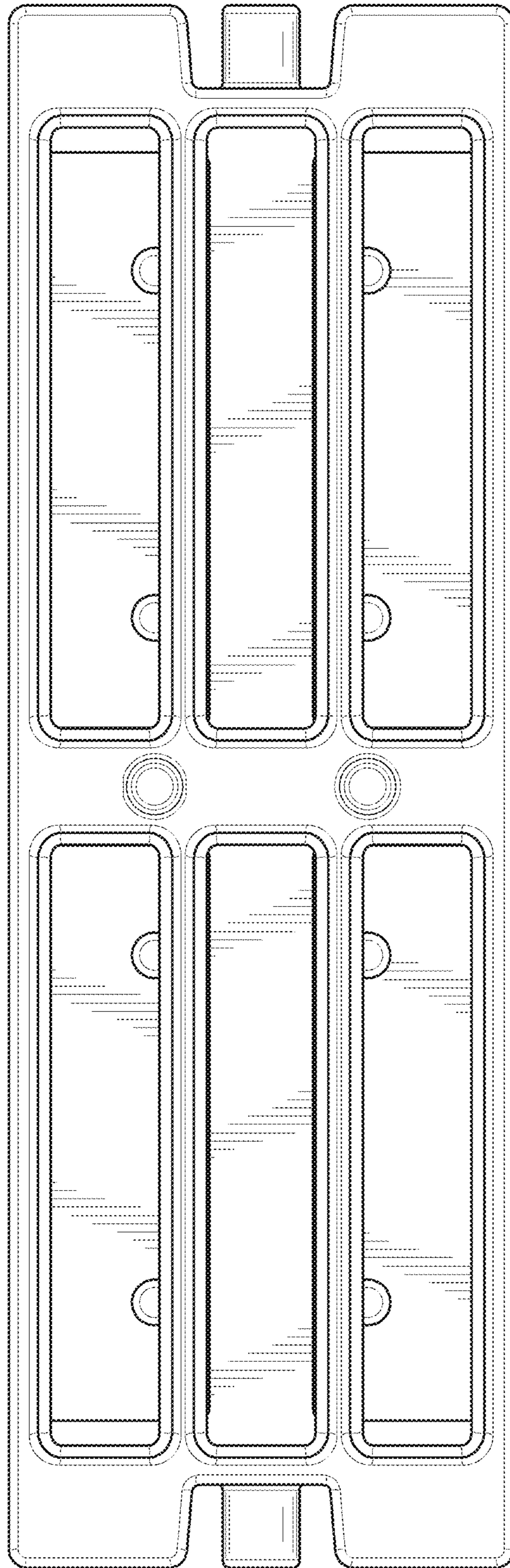


FIG. 3

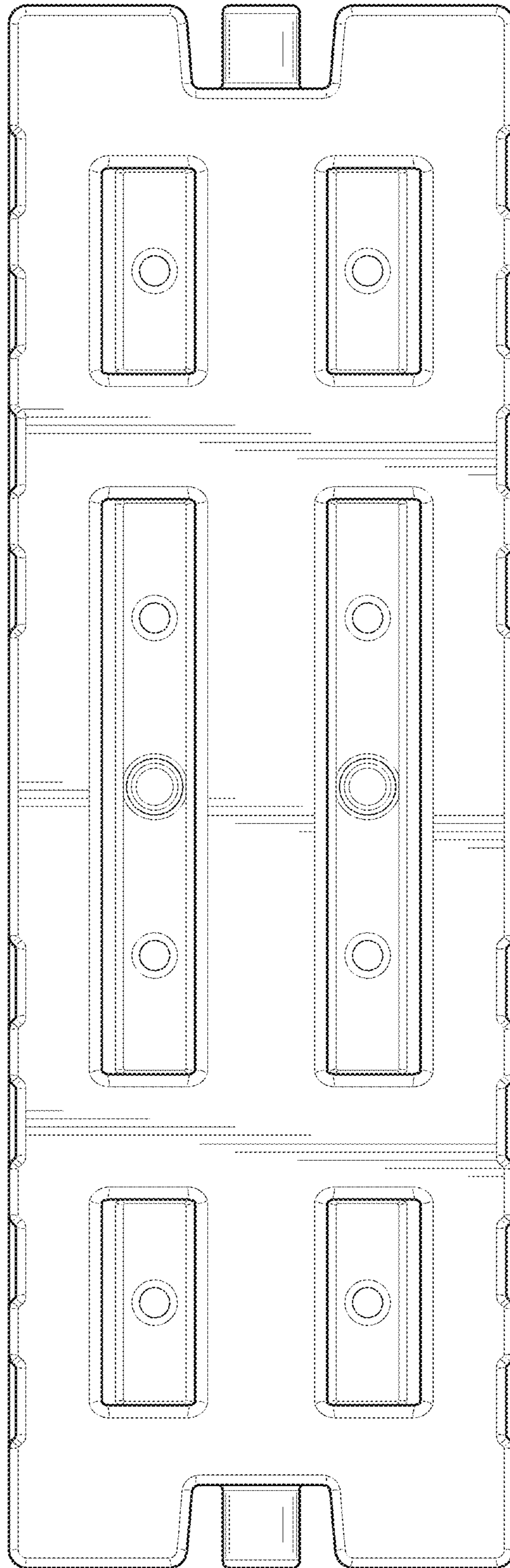


FIG. 4

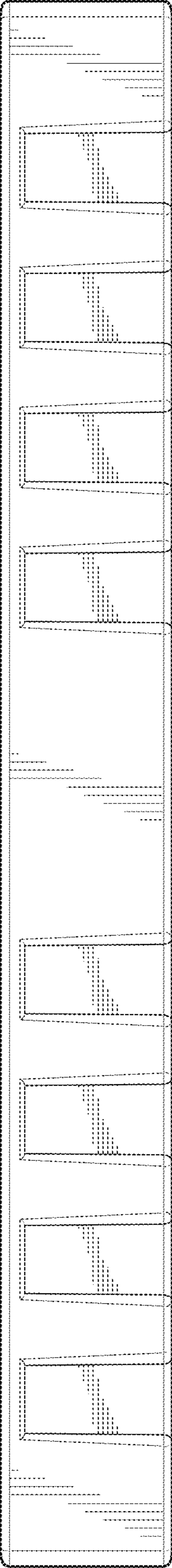


FIG. 5

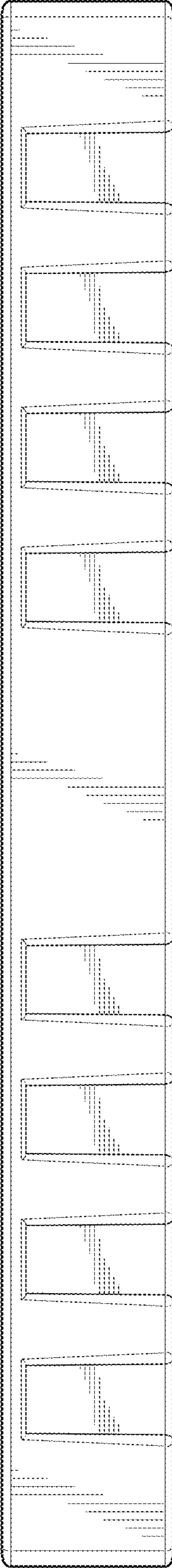


FIG. 6

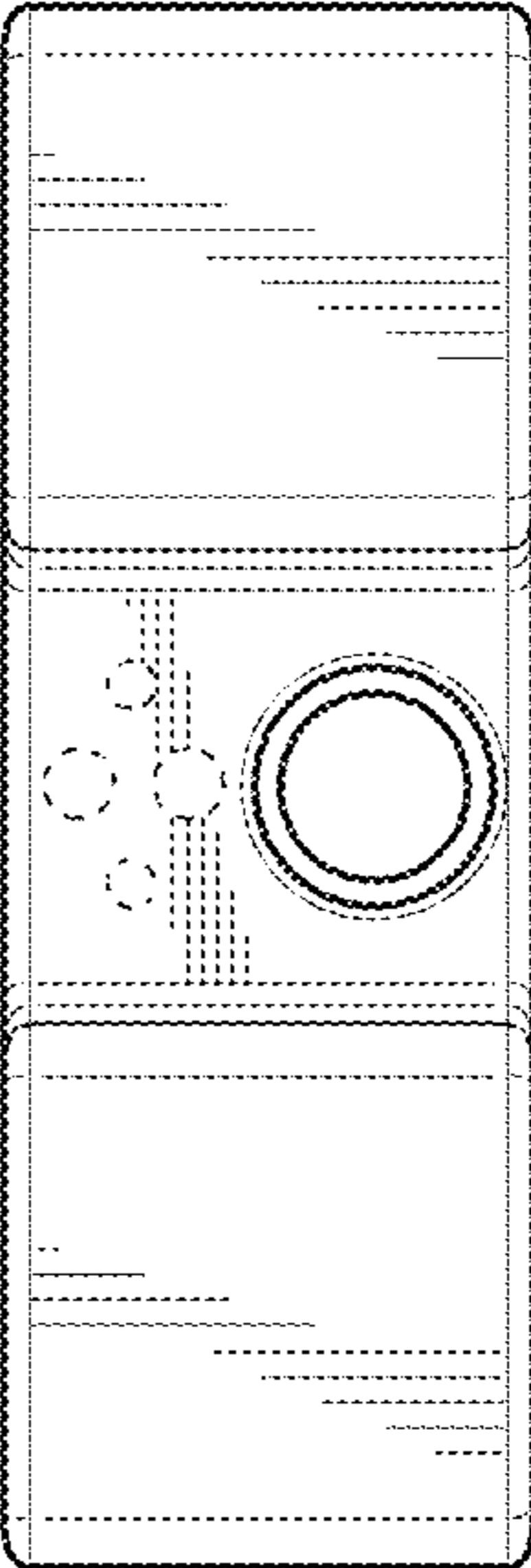


FIG. 7

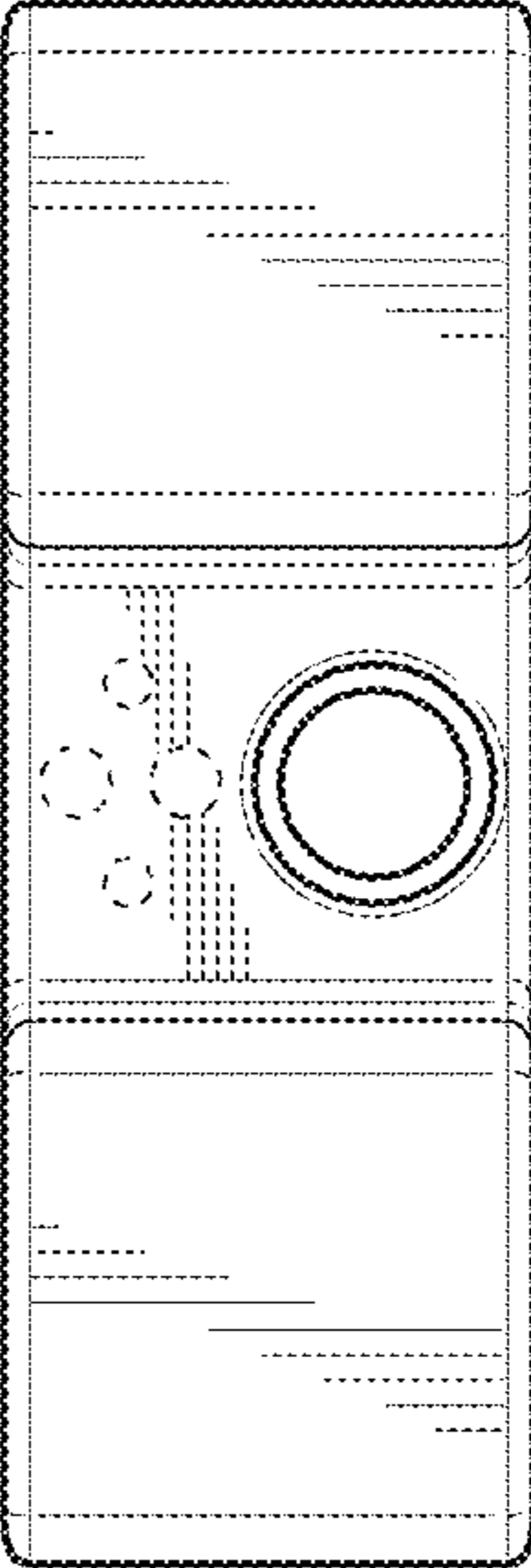


FIG. 8