



US00D938186S

(12) **United States Design Patent** (10) **Patent No.:** **US D938,186 S**
Sharer et al. (45) **Date of Patent:** **** Dec. 14, 2021**

(54) **PET POOP BAG DISPENSER** D452,788 S * 1/2002 Neiberger D6/518
6,405,972 B1 * 6/2002 Wakam A47K 10/22
242/597.7
(71) Applicant: **Practical Design Solutions LLC**, Ann Arbor, MI (US) D464,179 S * 10/2002 Petersen D30/153
D616,233 S * 5/2010 Yang D6/518
D827,323 S * 9/2018 Stoffel D6/515
(72) Inventors: **Paul Sharer**, Ann Arbor, MI (US); **Rita Dombroski**, Saline, MI (US) 2003/0019776 A1 * 1/2003 Matsuguchi B23K 9/1333
206/443
2012/0097672 A1 * 4/2012 Carroscia B65D 85/04
220/23.83
(73) Assignee: **Practical Design Solutions LLC**, Ann Arbor, MI (US)

(**) Term: **15 Years**

(21) Appl. No.: **29/732,668**

(22) Filed: **Apr. 27, 2020**

(51) **LOC (13) Cl.** **20-02**

(52) **U.S. Cl.**
USPC **D6/518**

(58) **Field of Classification Search**
USPC D6/515-523; 206/391, 398; 211/13.1;
242/588.6, 598; 312/34.1, 34.8
CPC A01K 23/00; E01H 1/1206; E01H
2001/126; E01H 2001/1273; E01H
2001/128; E01H 2001/1286; B65D 85/04;
B65D 85/672; A47F 7/00; A47G 21/12
See application file for complete search history.

(56) **References Cited**

U.S. PATENT DOCUMENTS

D304,535 S * 11/1989 White D6/516
D307,991 S * 5/1990 Lofquist D6/516
D328,168 S * 7/1992 Bartle D34/1
D372,386 S * 8/1996 Kuchenbecker D6/518
D418,705 S * 1/2000 Wakam D6/523
6,024,323 A * 2/2000 Palermo, Jr. B65D 85/672
242/588.6

OTHER PUBLICATIONS

Amazon.com, Leashboss Wall Mount Dog Poop Bag Dispenser for Home with 8 Rolls, Sep. 7, 2020, <https://www.amazon.com/Leashboss-Dispenser-Dispensing-Storage-Station/dp/B08HM5FZH9> (Year: 2020).*

* cited by examiner

Primary Examiner — Nathan M Johnston
(74) *Attorney, Agent, or Firm* — Mitchell Law PLLC;
Matthew W. Mitchell

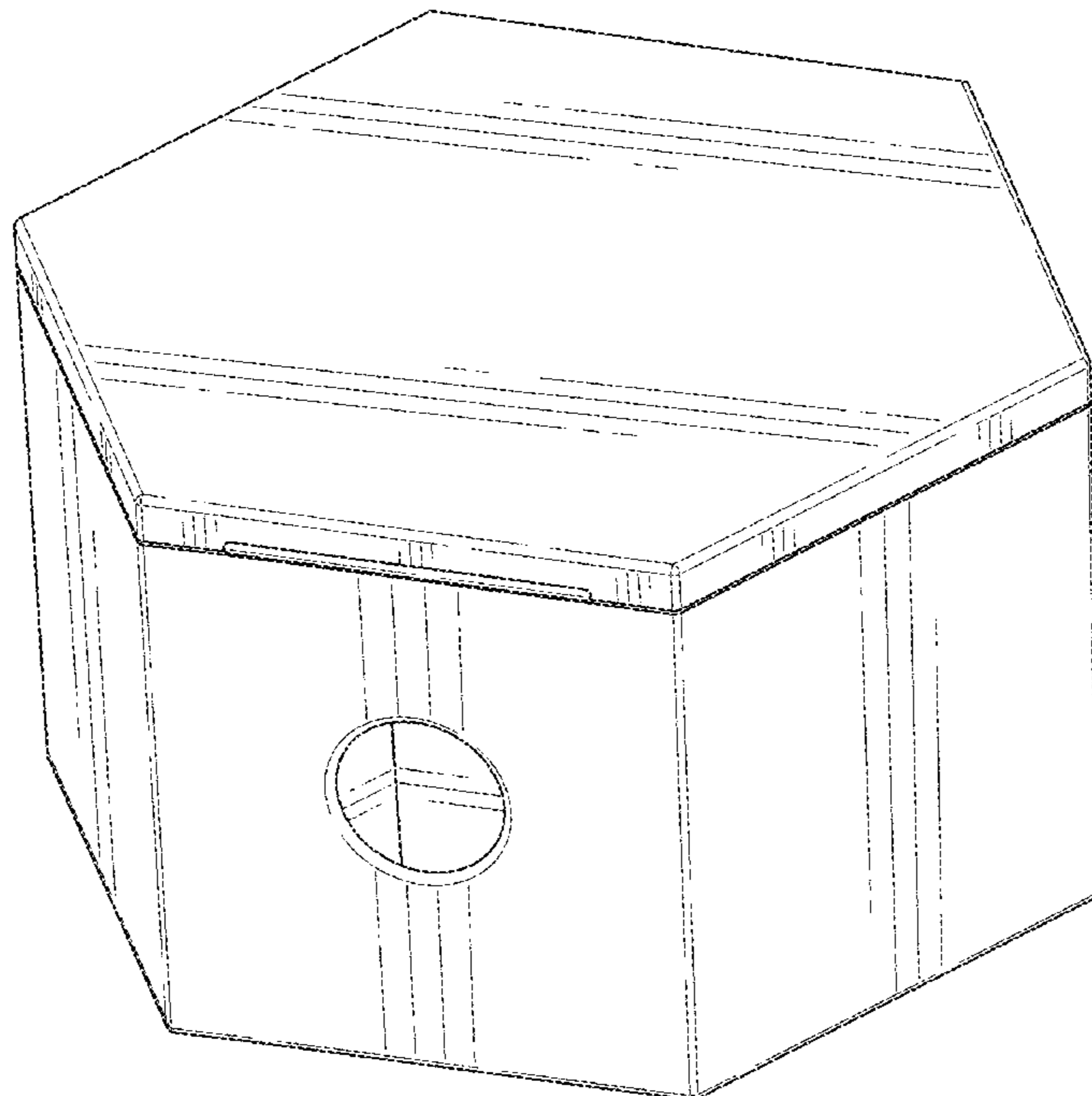
(57) **CLAIM**

The ornamental design for a pet poop bag dispenser, as shown.

DESCRIPTION

FIG. 1 is a front isometric view of the pet poop bag dispenser of the present invention;
FIG. 2 is bottom view thereof;
FIG. 3 is a top view thereof;
FIG. 4 is a front view thereof;
FIG. 5 is a right-side view thereof;
FIG. 6 is a left-side view thereof;
FIG. 7 is a front isometric view with a top portion removed; and,
FIG. 8 is a front view thereof.

1 Claim, 8 Drawing Sheets



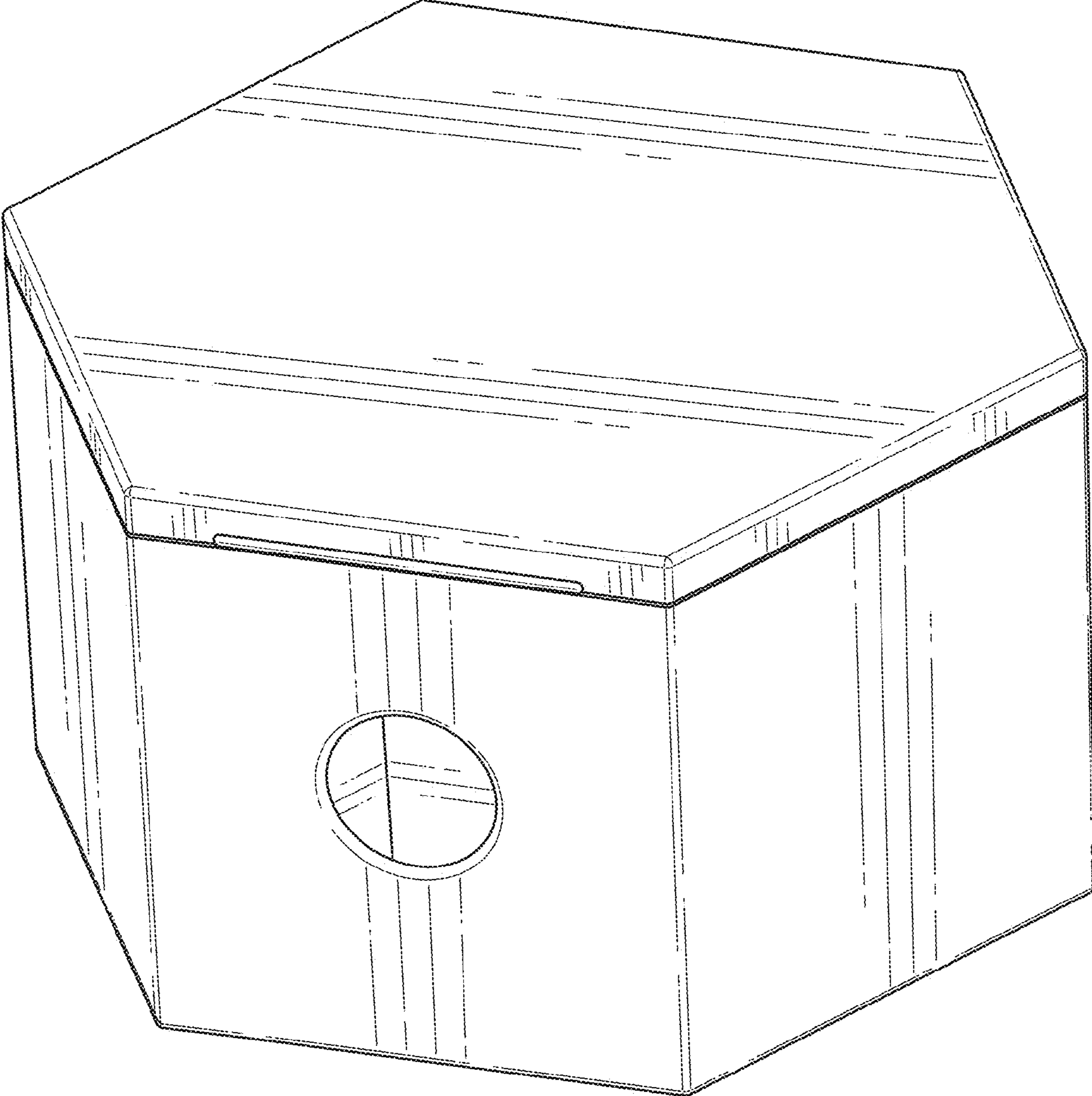


FIG. 1

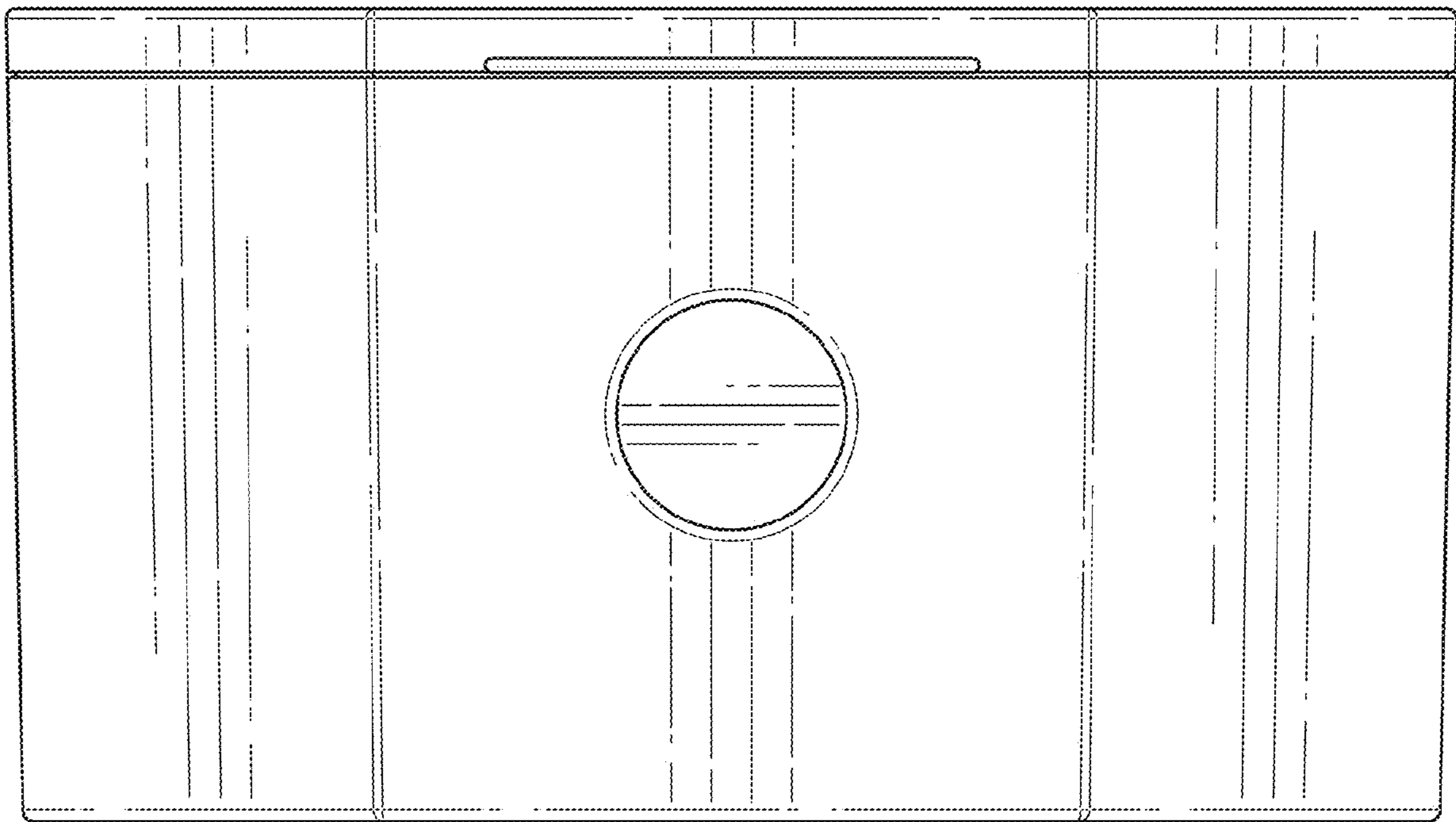


FIG. 2

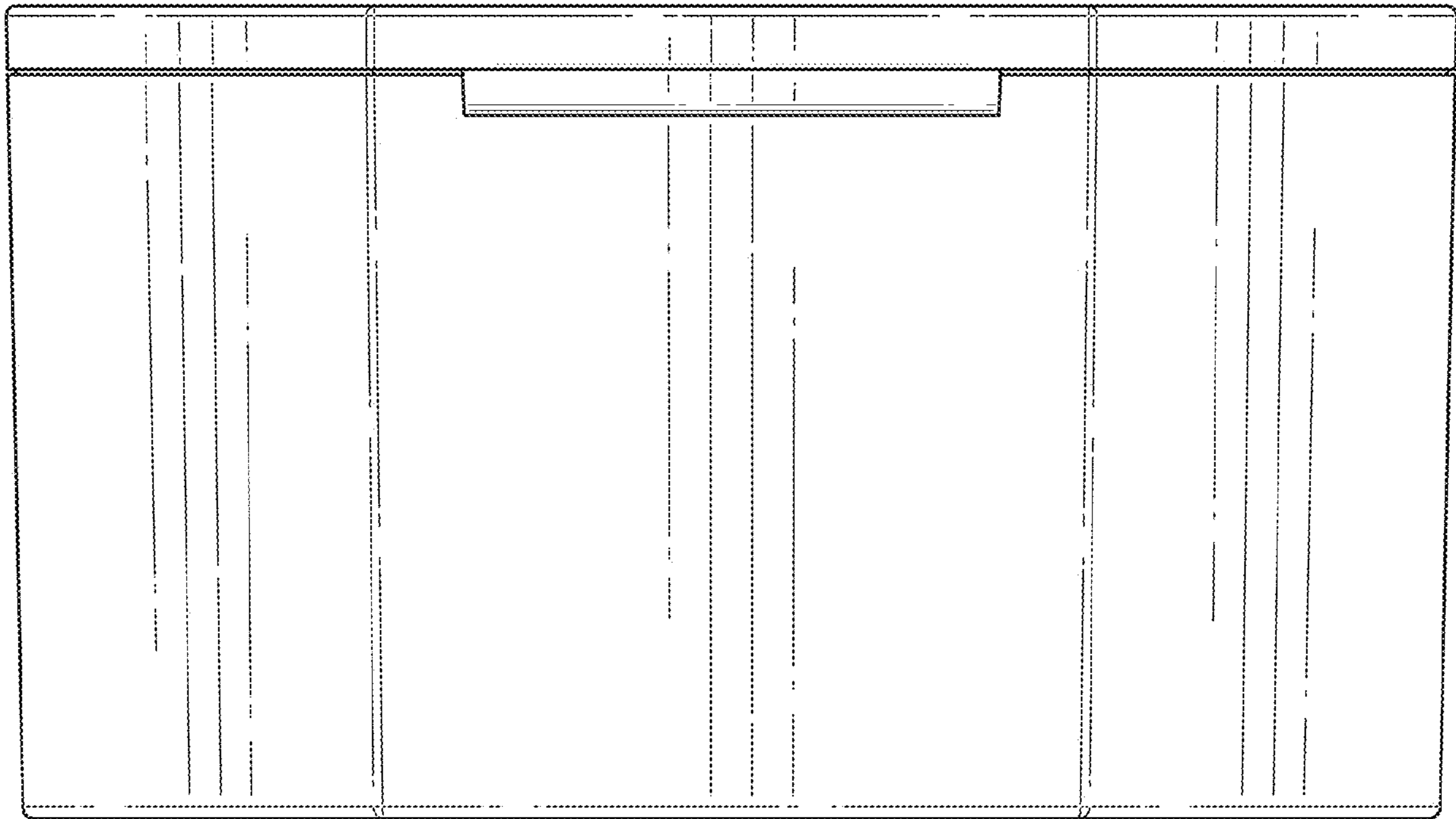


FIG. 3

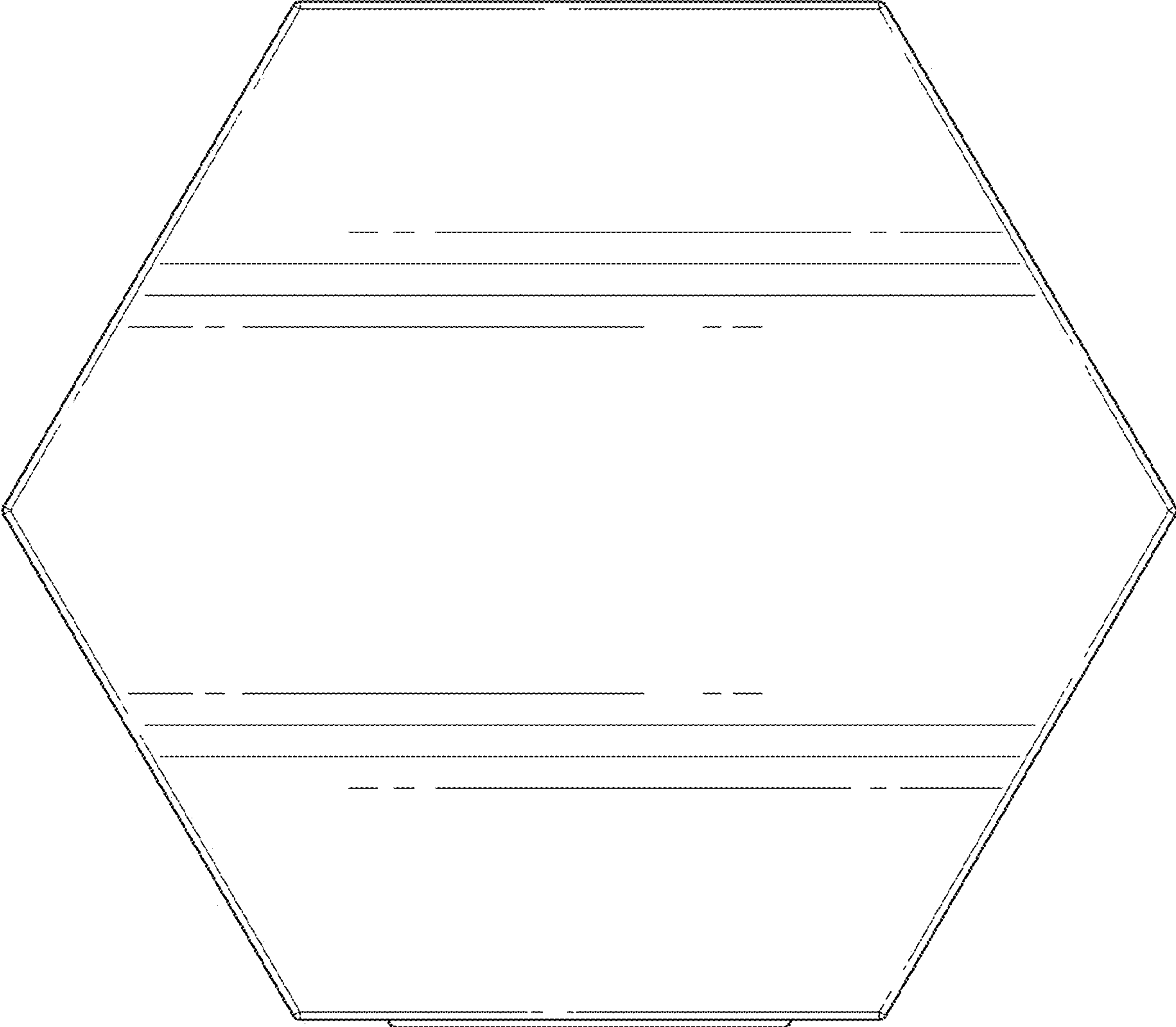


FIG. 4

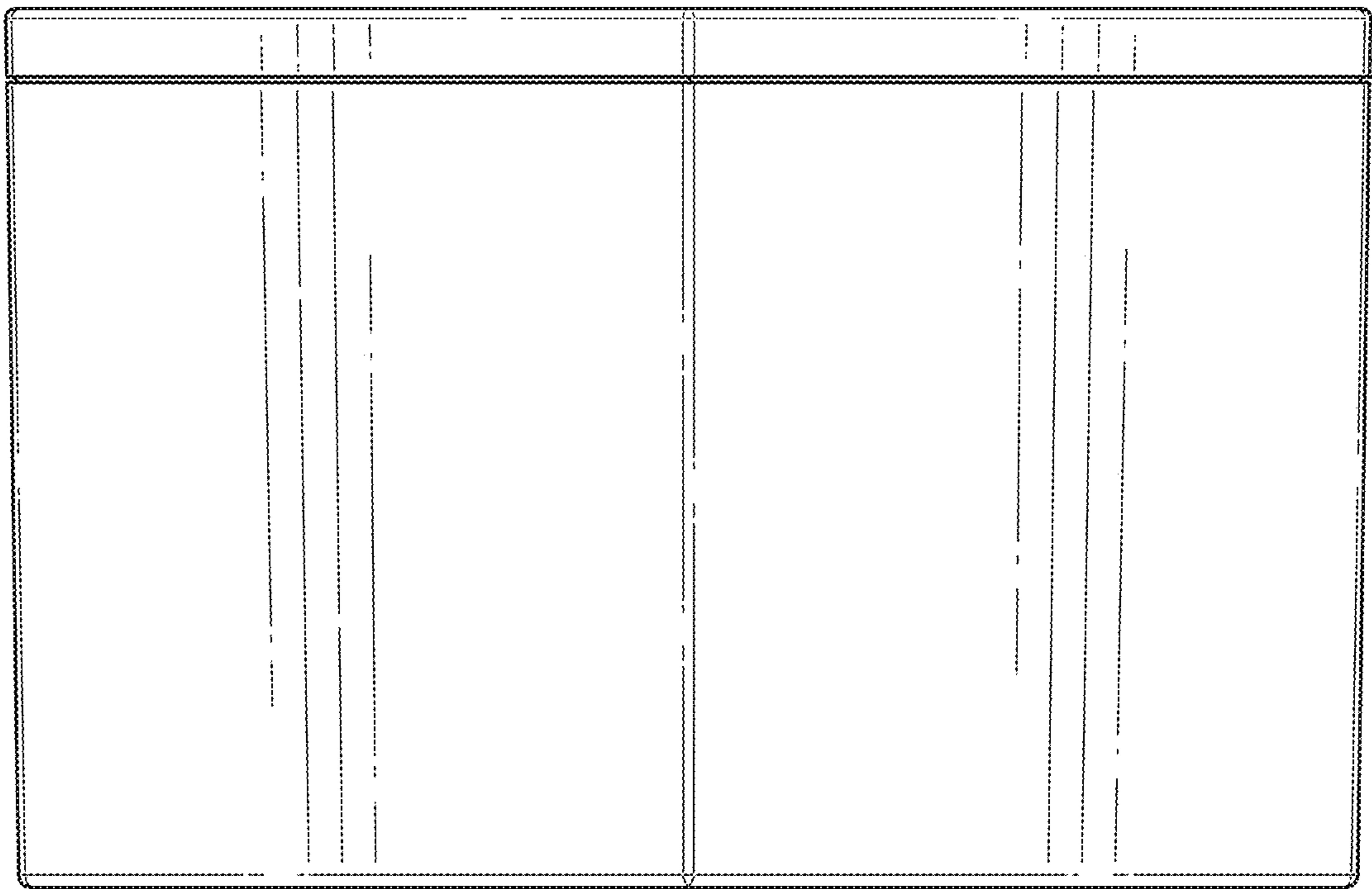


FIG. 5

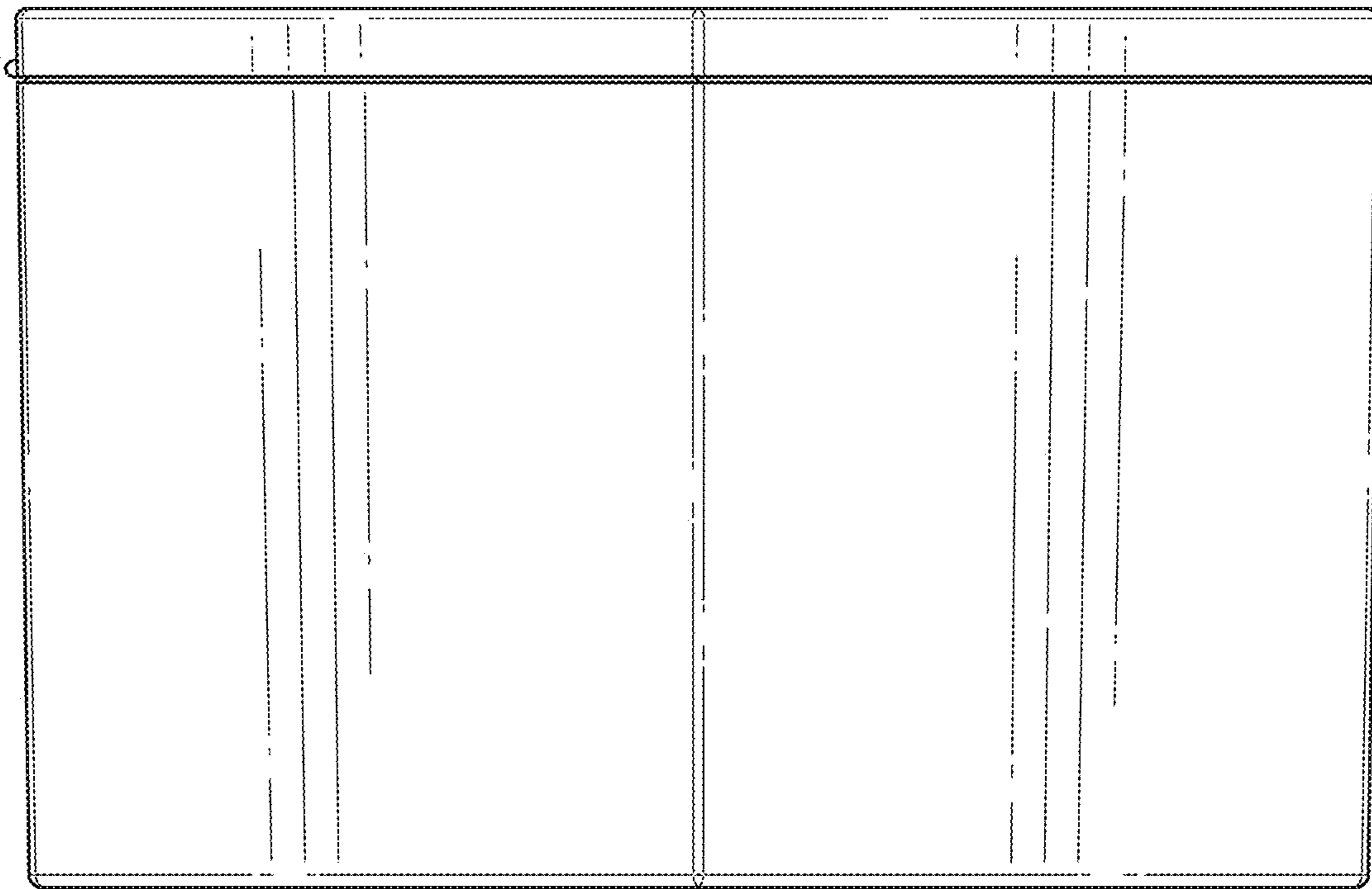


FIG. 6

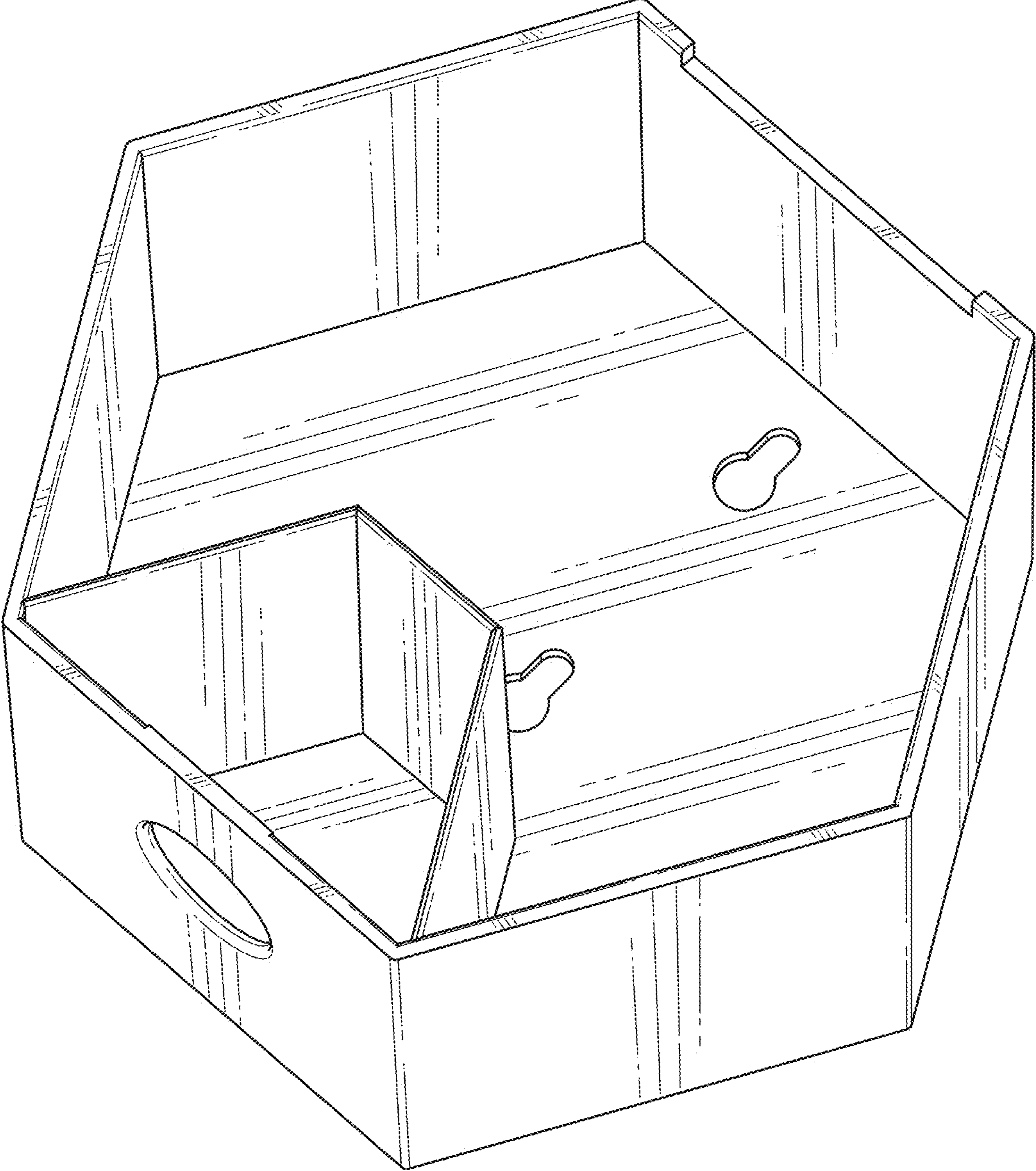


FIG. 7

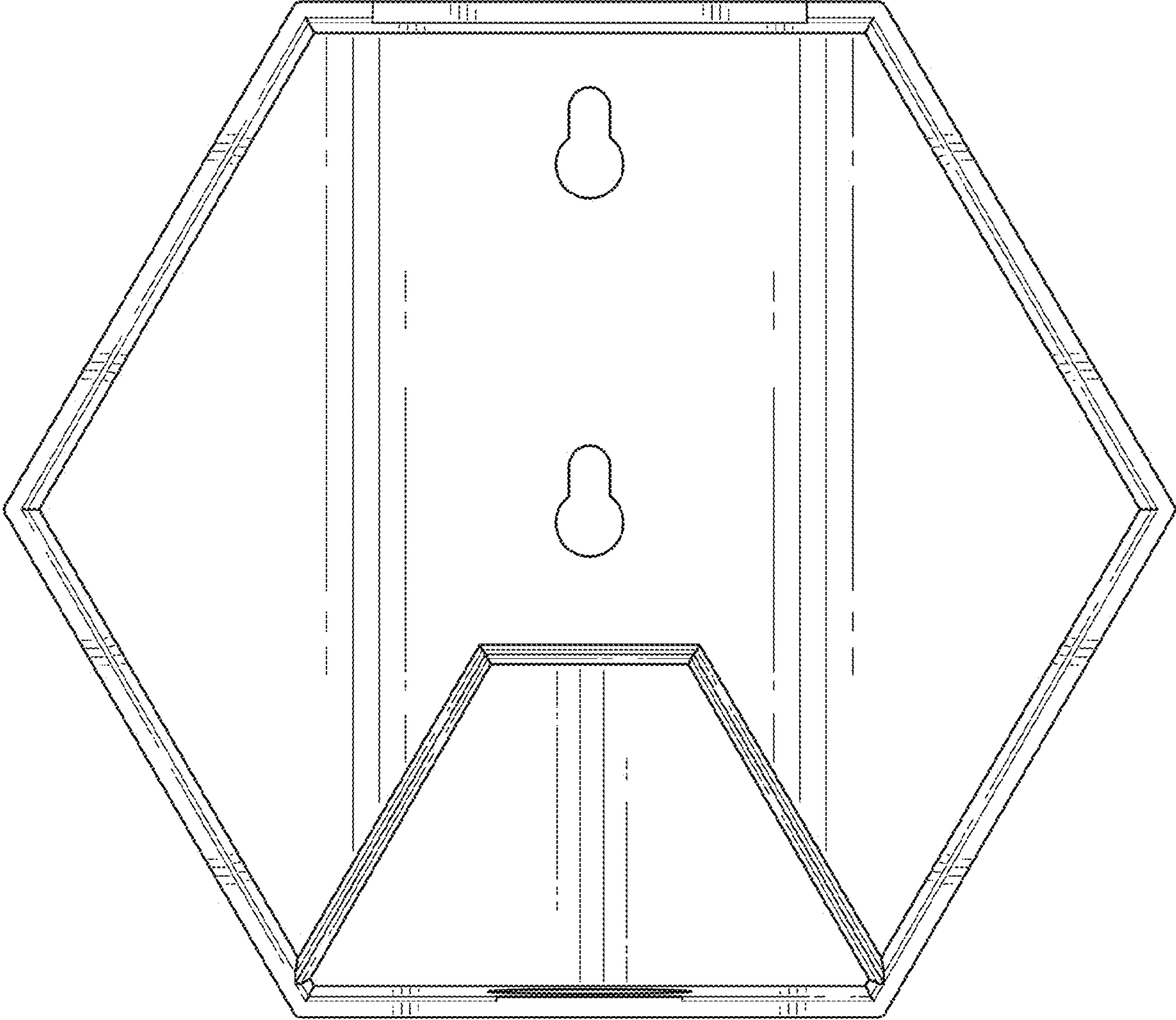


FIG. 8