



US00D938185S

(12) **United States Design Patent** (10) **Patent No.:** **US D938,185 S**
Citterio (45) **Date of Patent:** **** Dec. 14, 2021**

(54) **SOFA**
(71) Applicant: **B&B Italia S.p.A.**, Milan (IT)
(72) Inventor: **Antonio Citterio**, Novedrate (IT)
(73) Assignee: **B & B ITALIA S.p.A.**, Milan (IT)
(**) Term: **15 Years**
(21) Appl. No.: **29/690,811**
(22) Filed: **May 10, 2019**

(30) **Foreign Application Priority Data**
Nov. 12, 2018 (IT) 402018000003279
(51) **LOC (13) Cl.** **06-01**
(52) **U.S. Cl.**
USPC **D6/381**
(58) **Field of Classification Search**
USPC D6/334, 369, 379-381, 375, 717.2
CPC .. A47C 5/00; A47C 5/02; A47C 17/00; A47C
17/02
See application file for complete search history.

(56) **References Cited**
U.S. PATENT DOCUMENTS
D78,304 S * 4/1929 Mizner D6/369
D249,410 S * 9/1978 Dranger D6/369
D254,039 S * 1/1980 Beall D6/369
D267,135 S * 12/1982 Claman D6/369
D267,913 S * 2/1983 Claman D6/369
D446,956 S * 8/2001 Black D6/369
D562,022 S * 2/2008 Hackethal D6/381
D569,648 S * 5/2008 Weiss D6/381
D591,071 S * 4/2009 Weiss D6/381

D660,610 S * 5/2012 Nguyen D6/369
D665,187 S * 8/2012 Li D6/369
D681,362 S * 5/2013 Citterio D6/381
D764,215 S * 8/2016 Kirar D6/717.2
D774,794 S * 12/2016 Cazzaniga D6/369
D858,130 S * 9/2019 Armani D6/368
D872,494 S * 1/2020 White, III D6/369
D873,578 S * 1/2020 Pedersen D6/369
D875,413 S * 2/2020 Foersom D6/369
D881,597 S * 4/2020 Pedersen D6/369
D887,159 S * 6/2020 Kuo D6/369
D888,452 S * 6/2020 Koophavonrek D6/369
D898,396 S * 10/2020 Massaud D6/369
D914,390 S * 3/2021 Wu D6/381

* cited by examiner

Primary Examiner — Mary Ann Calabrese
Assistant Examiner — Katelin G Kloberg
(74) *Attorney, Agent, or Firm* — Thomas I Horstemeyer, LLP

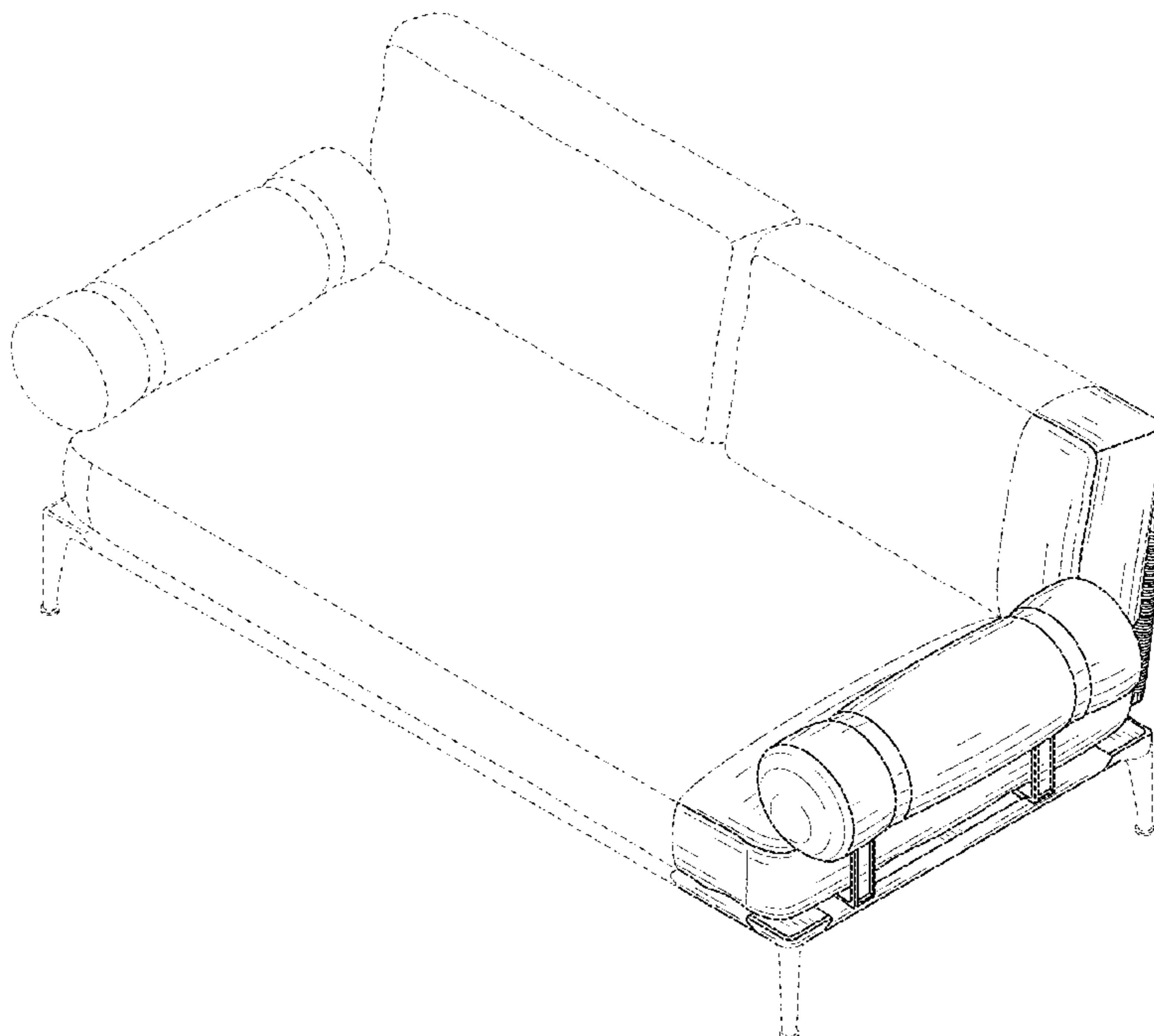
(57) **CLAIM**

The ornamental design for a sofa, as shown and described.

DESCRIPTION

FIG. 1 is a top perspective view of a sofa, showing my new design;
FIG. 2 is a bottom perspective view thereof;
FIG. 3 is a front view thereof;
FIG. 4 is a rear view thereof;
FIG. 5 is a side view thereof;
FIG. 6 is a top view thereof; and,
FIG. 7 is a bottom view thereof.
The broken lines shown in the drawings illustrate environmental and forms no part of the claimed design.

1 Claim, 7 Drawing Sheets



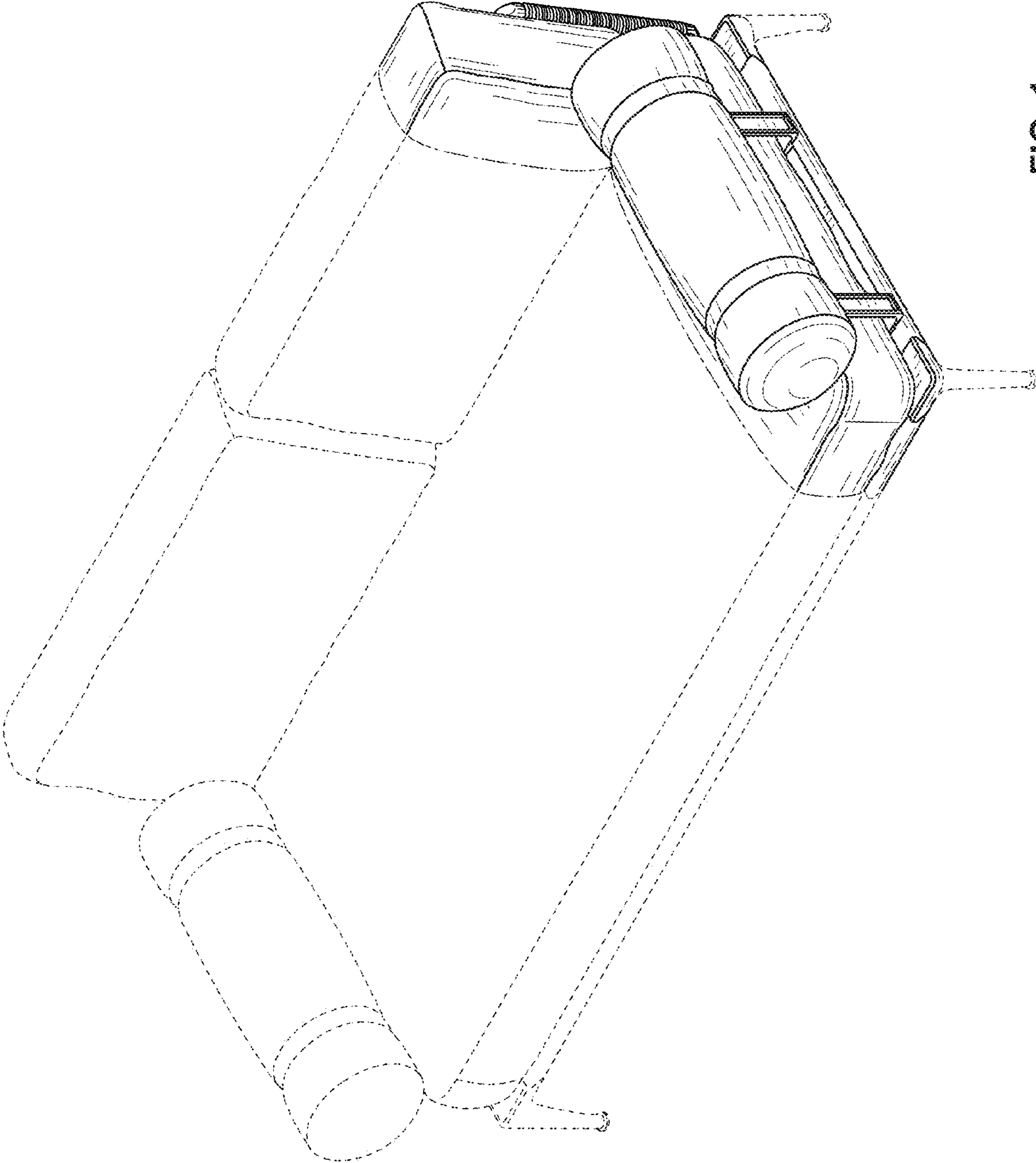


FIG. 1

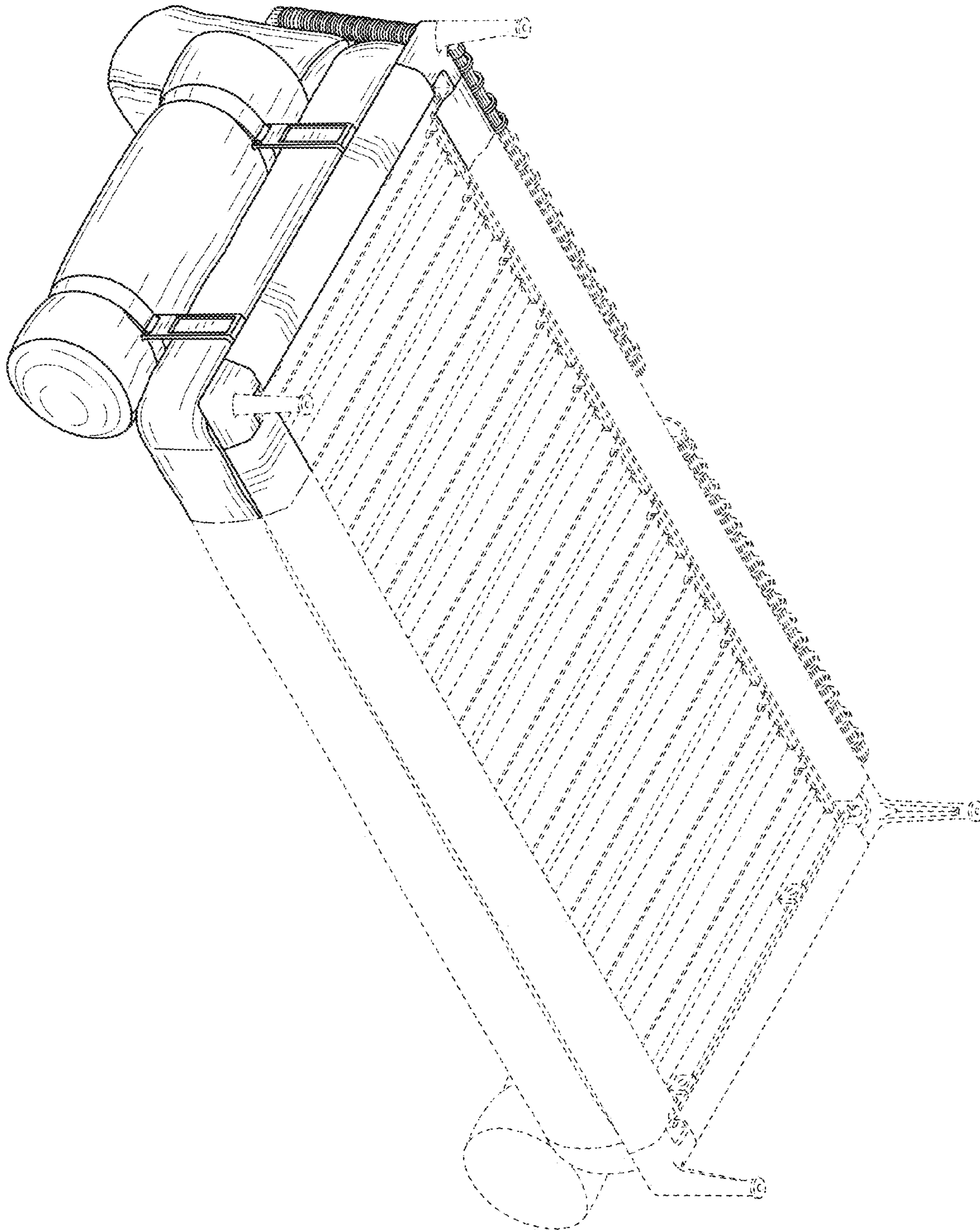


FIG. 2

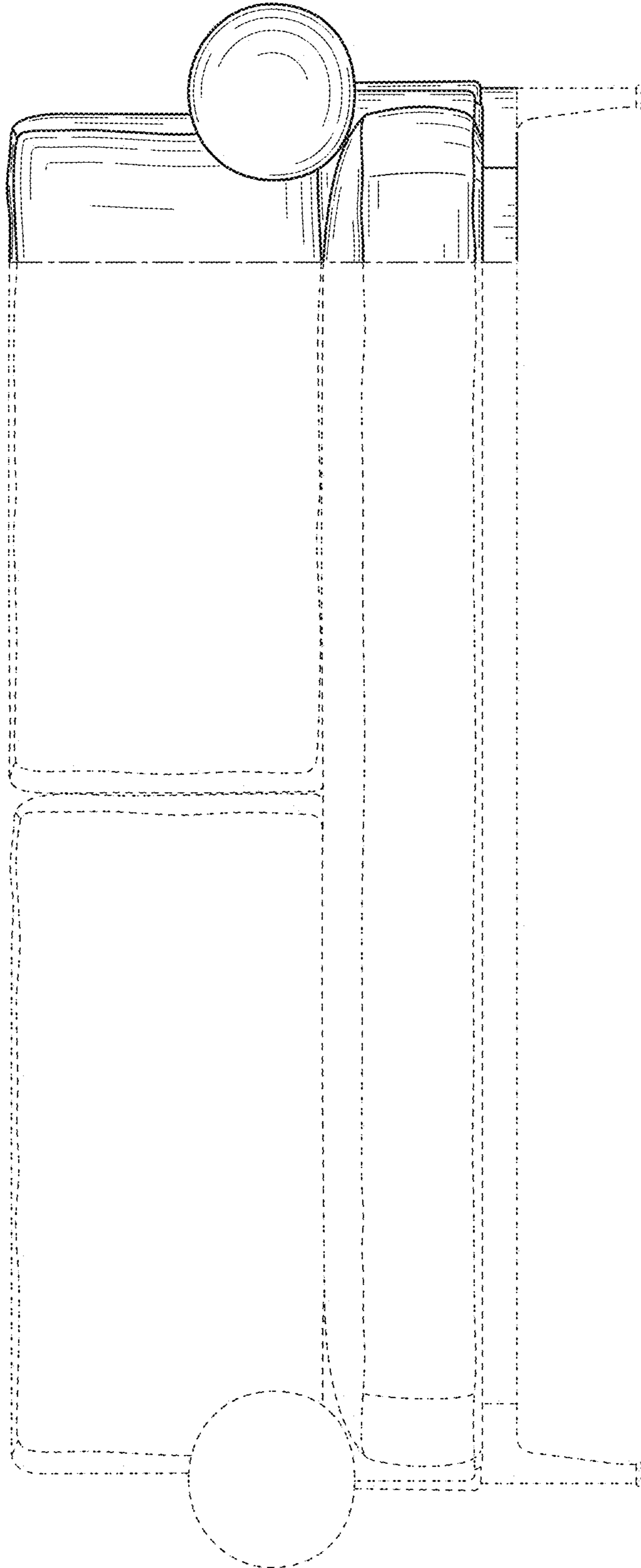


FIG. 3

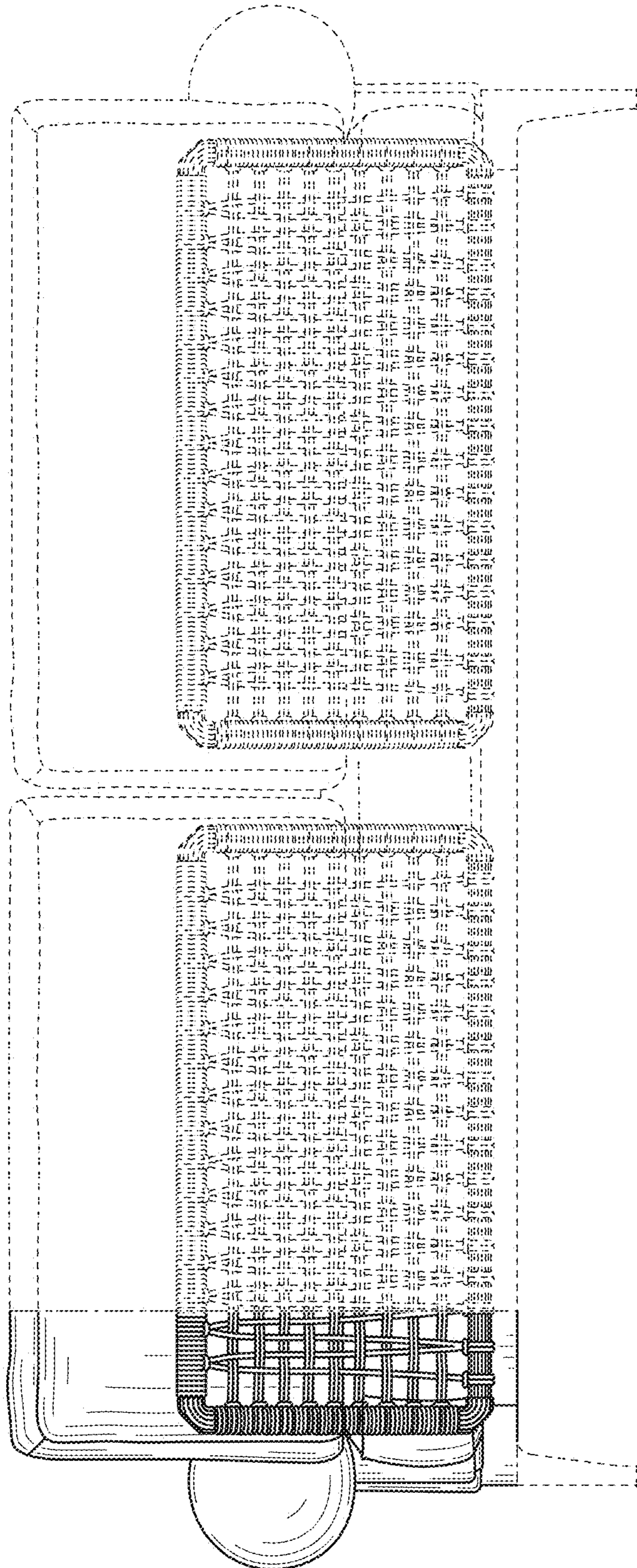


FIG. 4

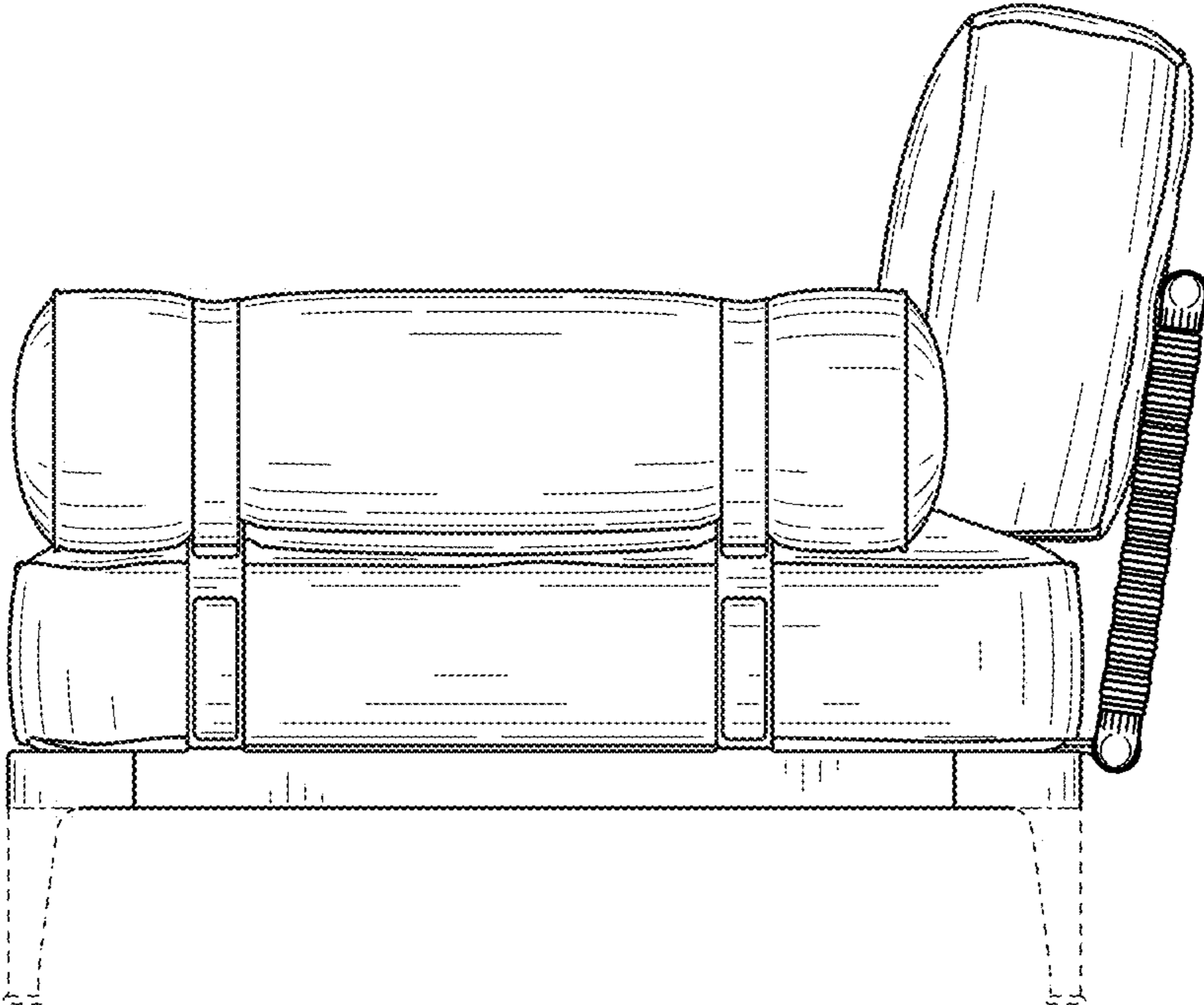


FIG. 5

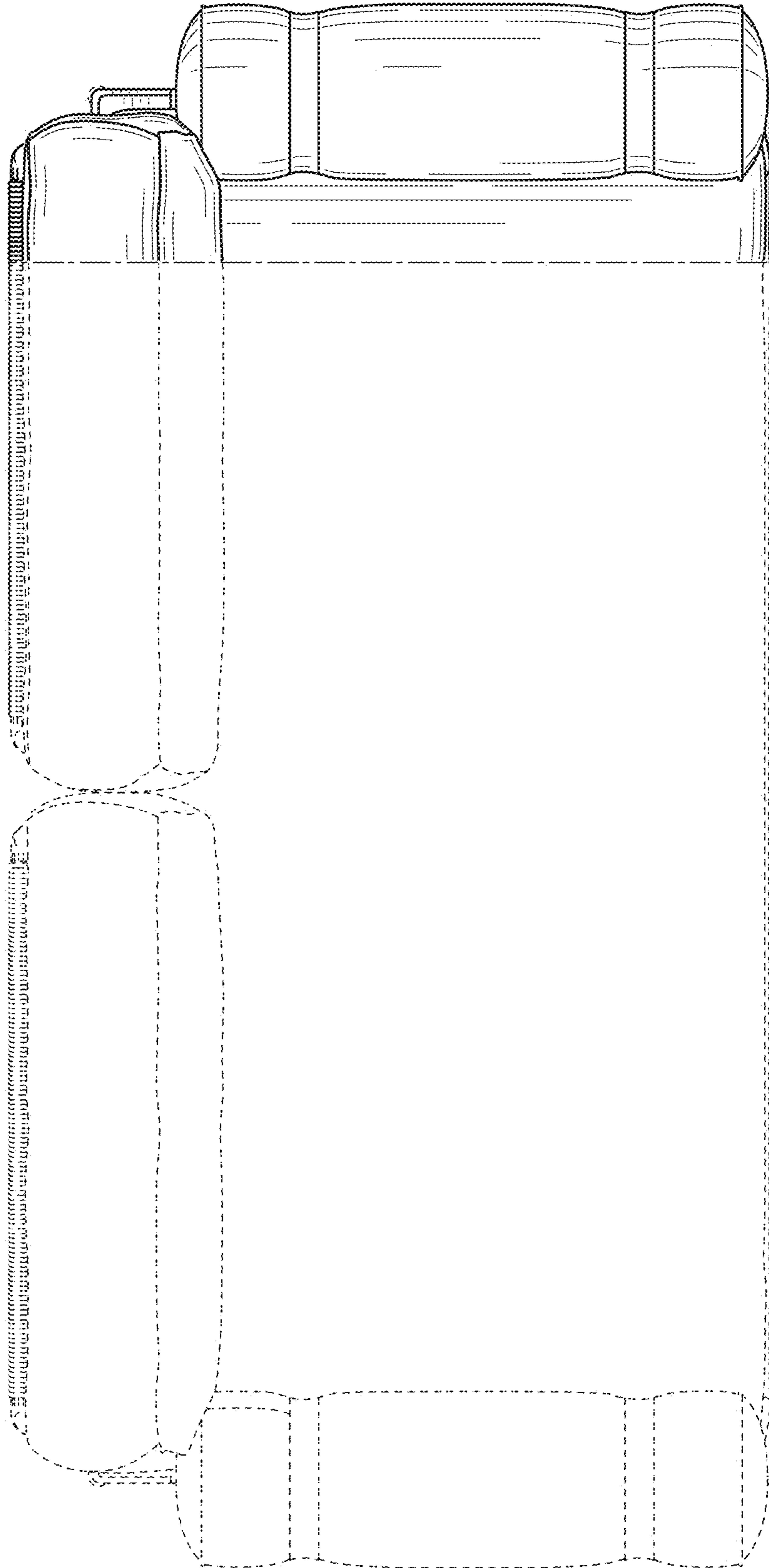


FIG. 6

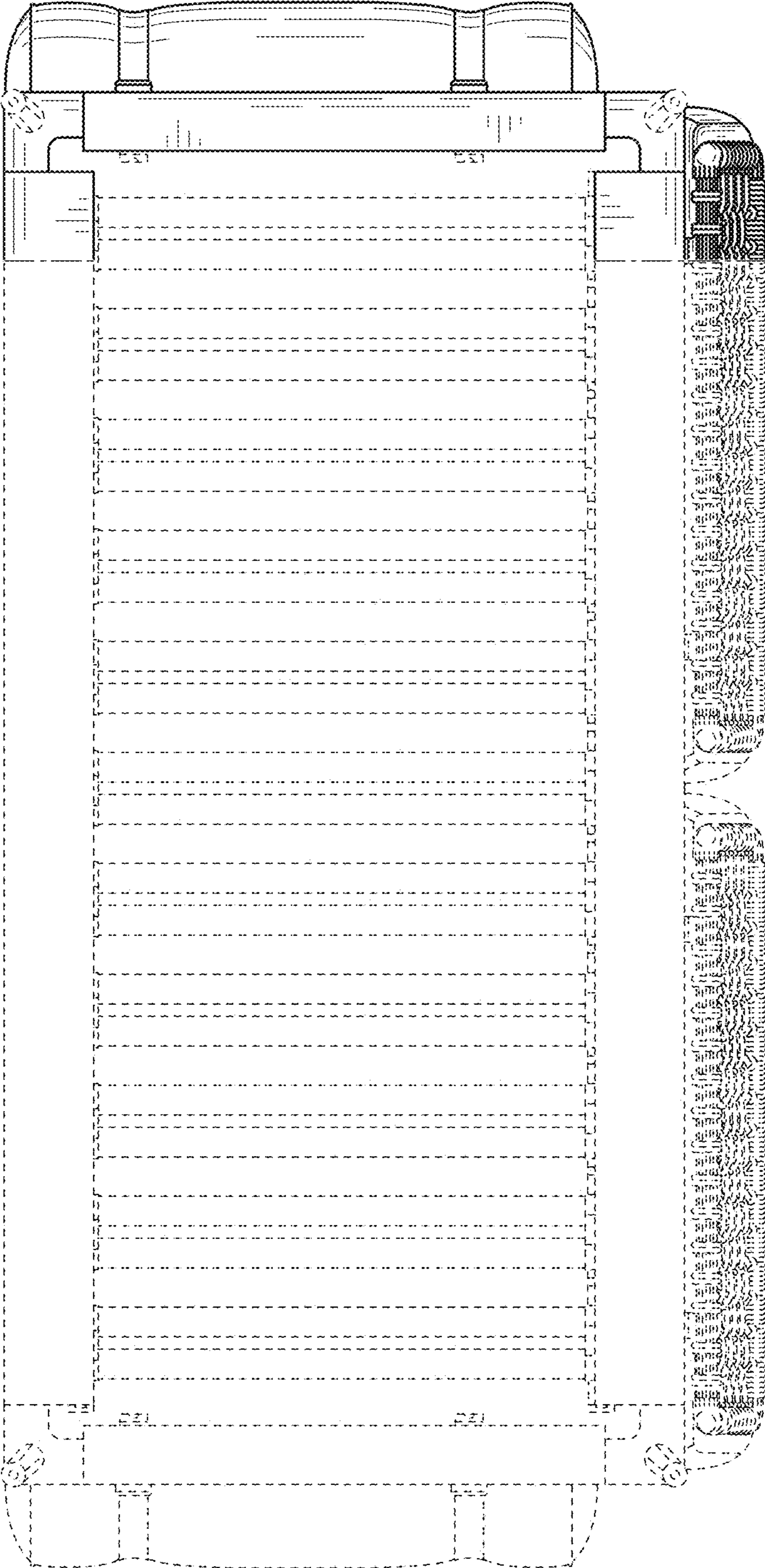


FIG. 7