



US00D938183S

(12) **United States Design Patent** (10) **Patent No.:** **US D938,183 S**
Li (45) **Date of Patent:** **** Dec. 14, 2021**

(54) **CHAIR**

(56) **References Cited**

(71) Applicant: **39F USA INC**, Rancho Cucamonga, CA (US)

U.S. PATENT DOCUMENTS

(72) Inventor: **Yuehai Li**, Rancho Cucamonga, CA (US)

D724,342 S *	3/2015	Pesso	D6/374
D740,045 S *	10/2015	Wilkinson	D6/379
D799,848 S *	10/2017	Morrison	D6/380
D836,358 S *	12/2018	Starck	D6/374
D844,344 S *	4/2019	Tran	D6/380
D859,022 S *	9/2019	Jones	D6/374
D863,805 S *	10/2019	Jones	D6/374
D893,895 S *	8/2020	Traverso	D6/334
D898,401 S *	10/2020	Tabuchi	D6/376
D899,803 S *	10/2020	Tabet	D6/380
D917,911 S *	5/2021	Jones	D6/376
D924,596 S *	7/2021	Breinholt	D6/380

(**) Term: **15 Years**

(21) Appl. No.: **29/738,094**

(22) Filed: **Jun. 15, 2020**

(51) **LOC (13) Cl.** **06-01**

* cited by examiner

(52) **U.S. Cl.**
USPC **D6/374**

Primary Examiner — Kevin K Rudzinski

Assistant Examiner — Paul D Bohannon

(74) *Attorney, Agent, or Firm* — Feng Qian

(58) **Field of Classification Search**
USPC D6/333, 334, 341, 348, 349, 350, 352, D6/353, 360, 364, 369, 370, 371, 373, D6/374, 375, 376, 377, 379, 380, 390, D6/677, 692, 700, 708, 708.16, 716; D16/237; D21/412, 419, 521

(57) **CLAIM**

The ornamental design for a chair, as shown and described.

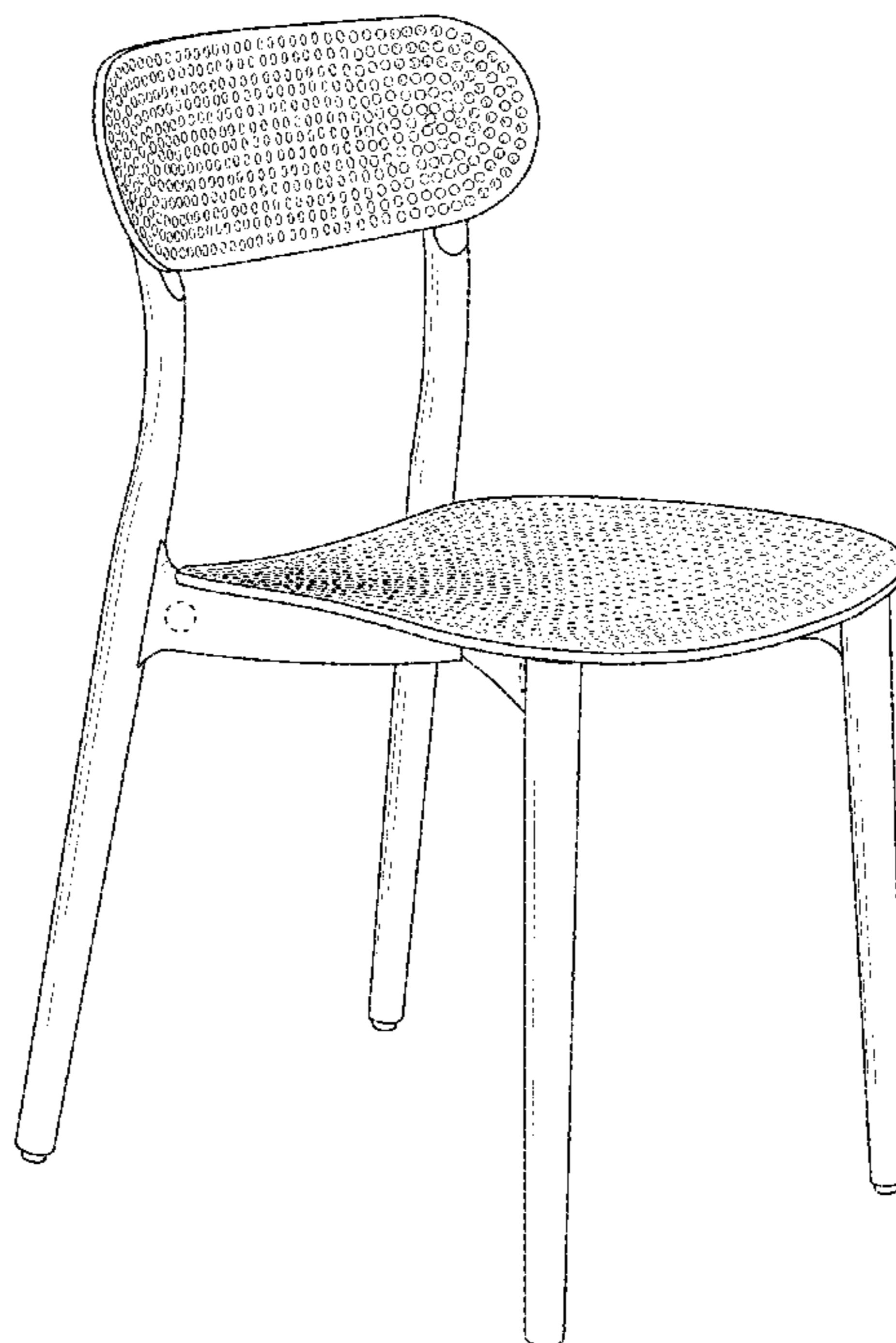
DESCRIPTION

CPC A47C 1/124; A47C 3/34; A47C 4/028; A47C 4/02; A47C 5/12; A47C 5/125; A47C 7/506; A47C 9/007; A47C 13/005; A47C 13/023; A47C 31/113; A47C 31/02; A47C 5/06; A47C 5/08; B60R 2/0284; B60R 2/062; B60R 22/001; B60R 22/24; B60R 22/28; B60R 22/58; B60R 22/64; B60R 22/68; B60R 22/80; B60R 22/99; B60R 22/245; B60R 22/643; B60R 22/646; B60R 22/665; B60R 22/686; B60R 22/688; B60R 22/803; B60R 22/986; B60R 22/914; B60R 22/995

FIG. 1 is a front perspective view of a chair showing my new design;
FIG. 2 is a front elevation view thereof;
FIG. 3 is a rear elevation view thereof;
FIG. 4 is a left-side elevation view thereof;
FIG. 5 is a right-side elevation view thereof;
FIG. 6 is a top plan view thereof; and,
FIG. 7 is a bottom plan view thereof.
The broken lines shown in the drawings are for the purpose of illustrating portions of the article, and form no part of the claimed design.

See application file for complete search history.

1 Claim, 7 Drawing Sheets



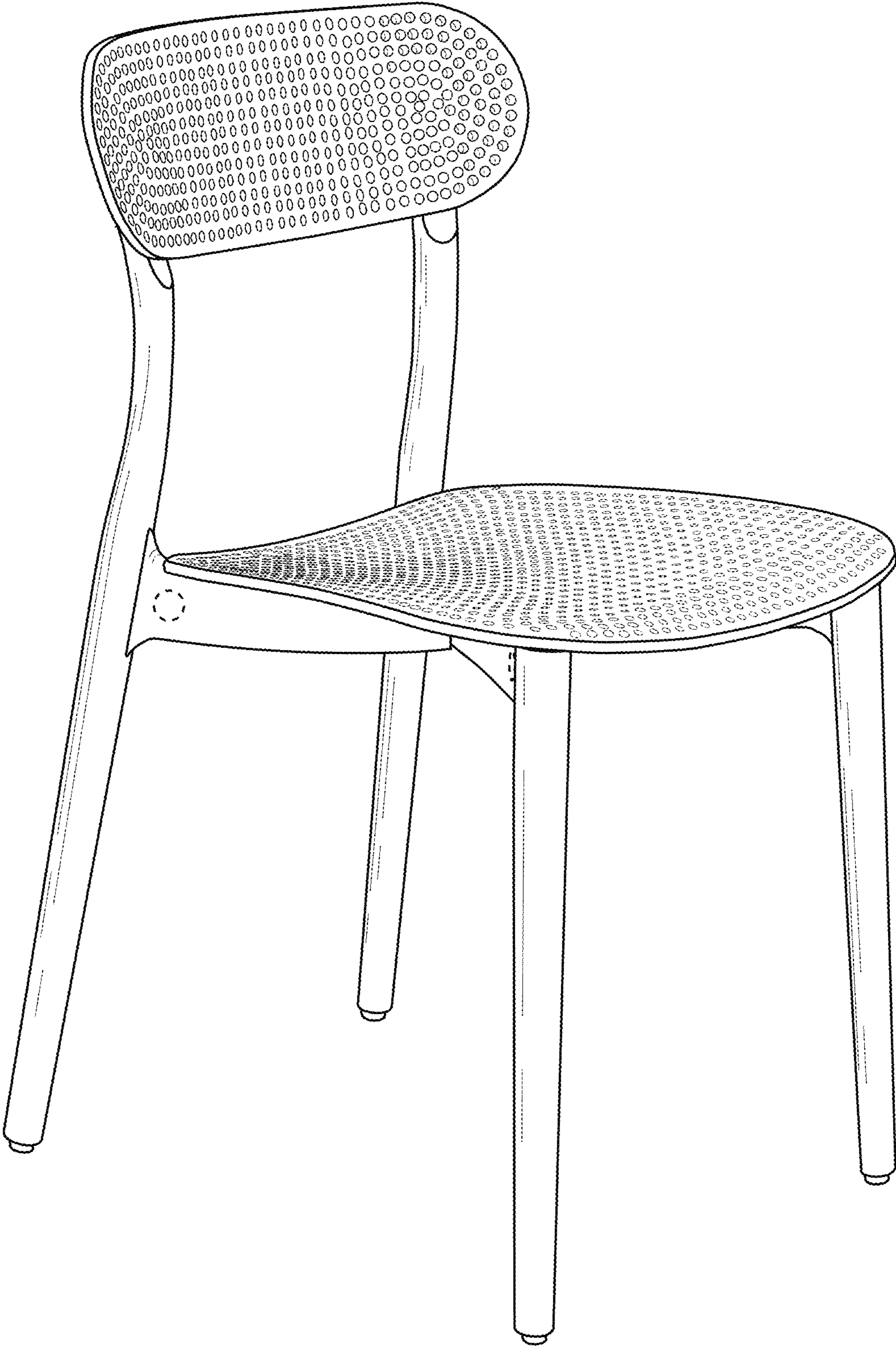


Fig.1

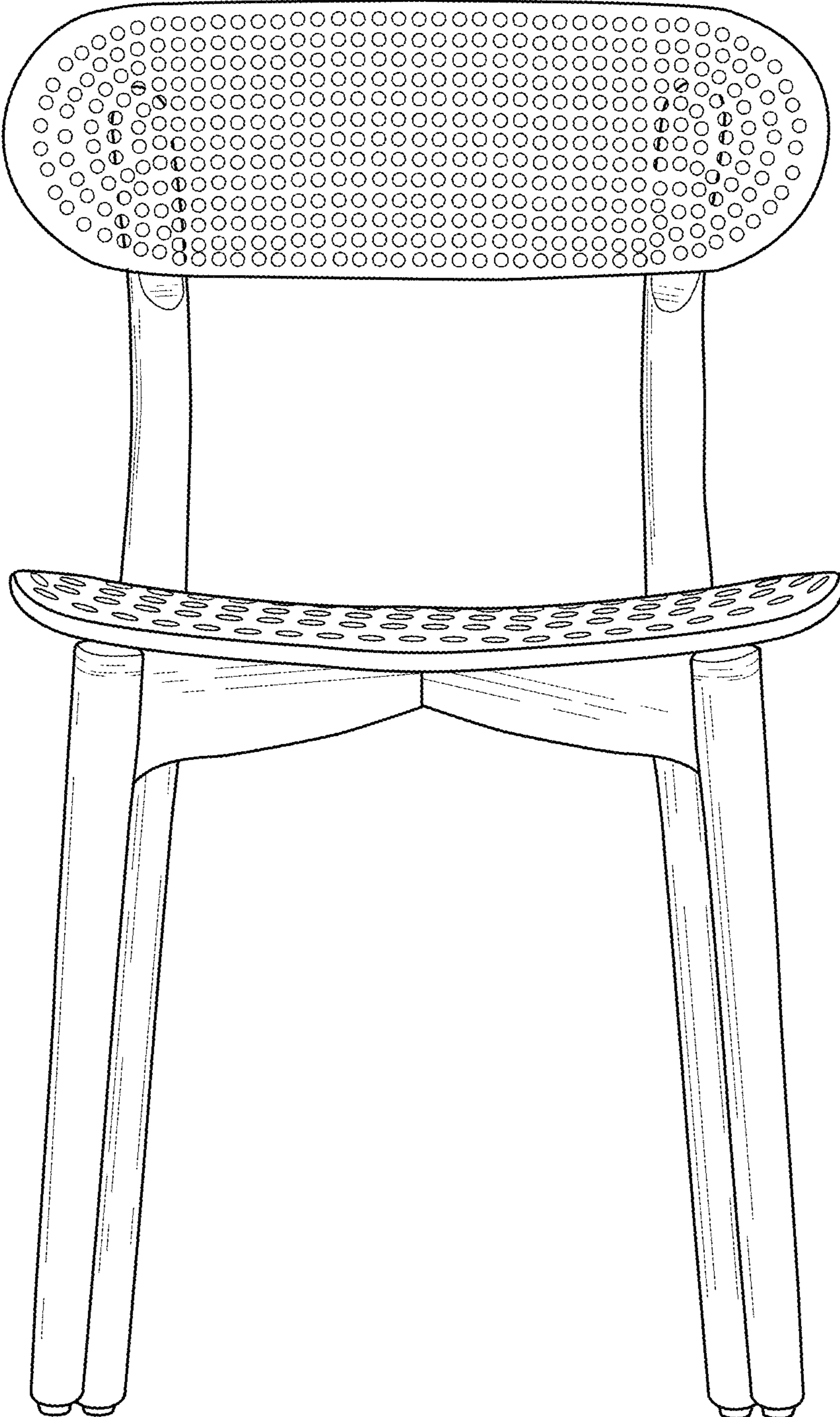


Fig.2

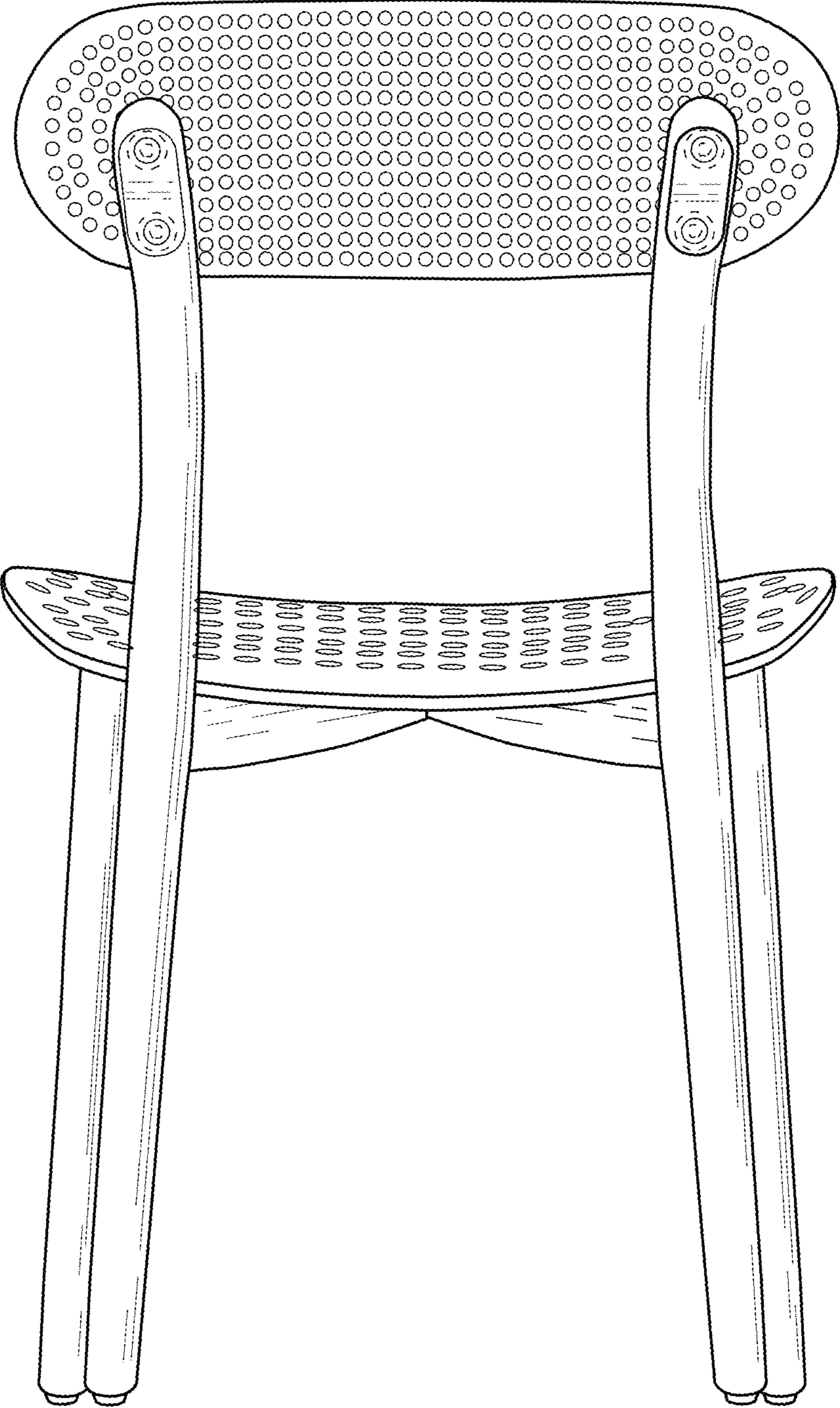


Fig.3

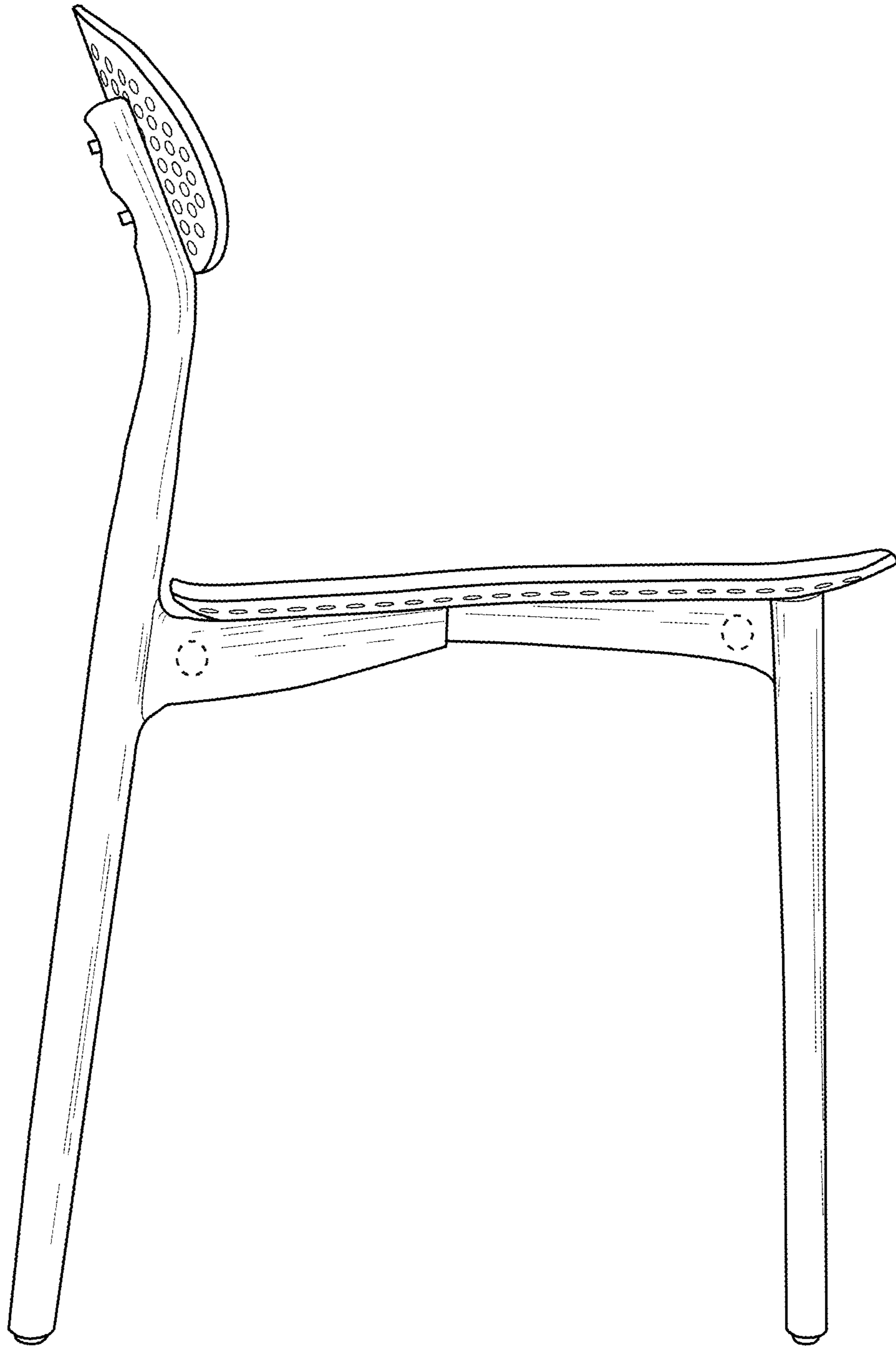


Fig.4

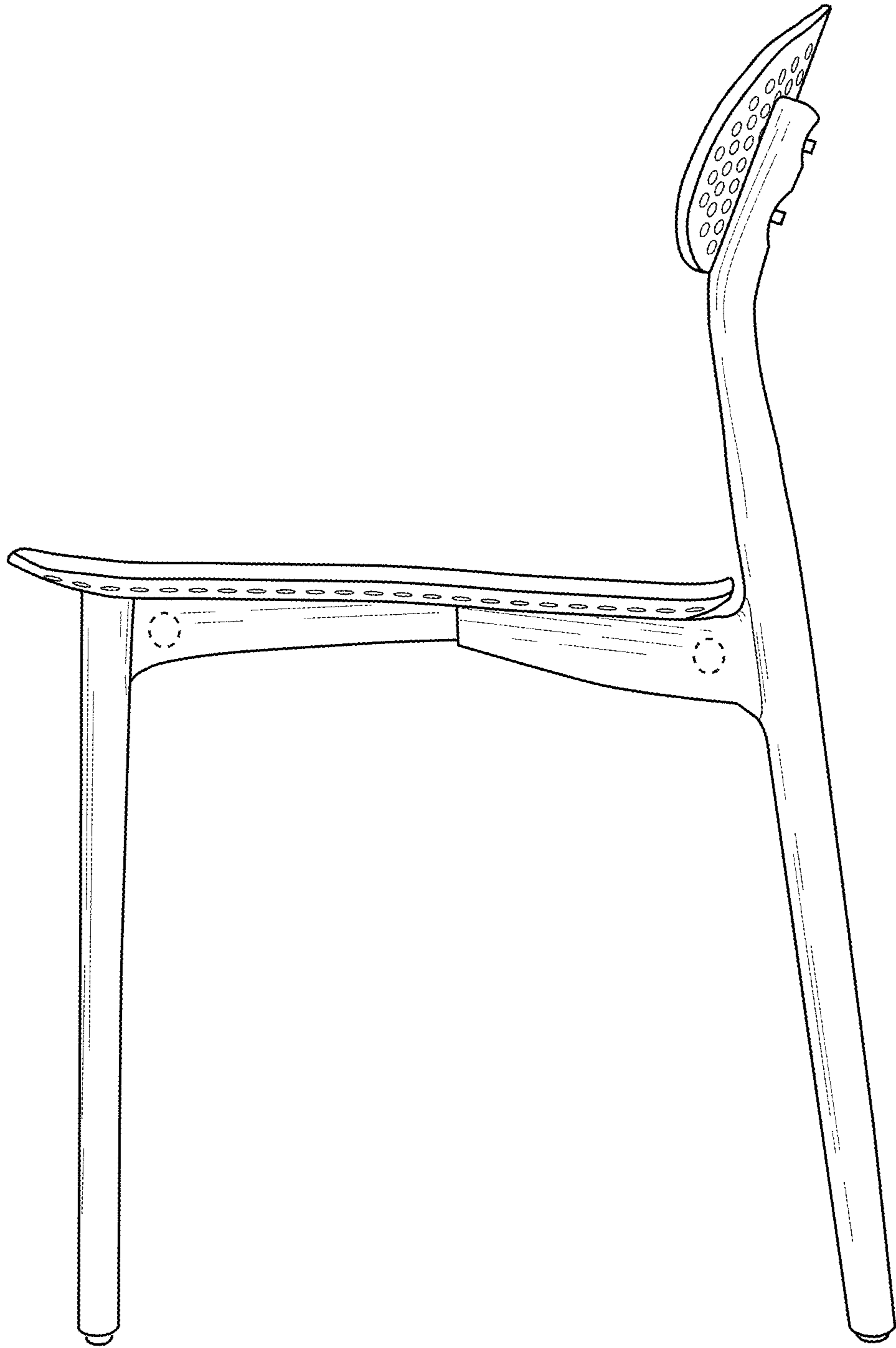


Fig.5

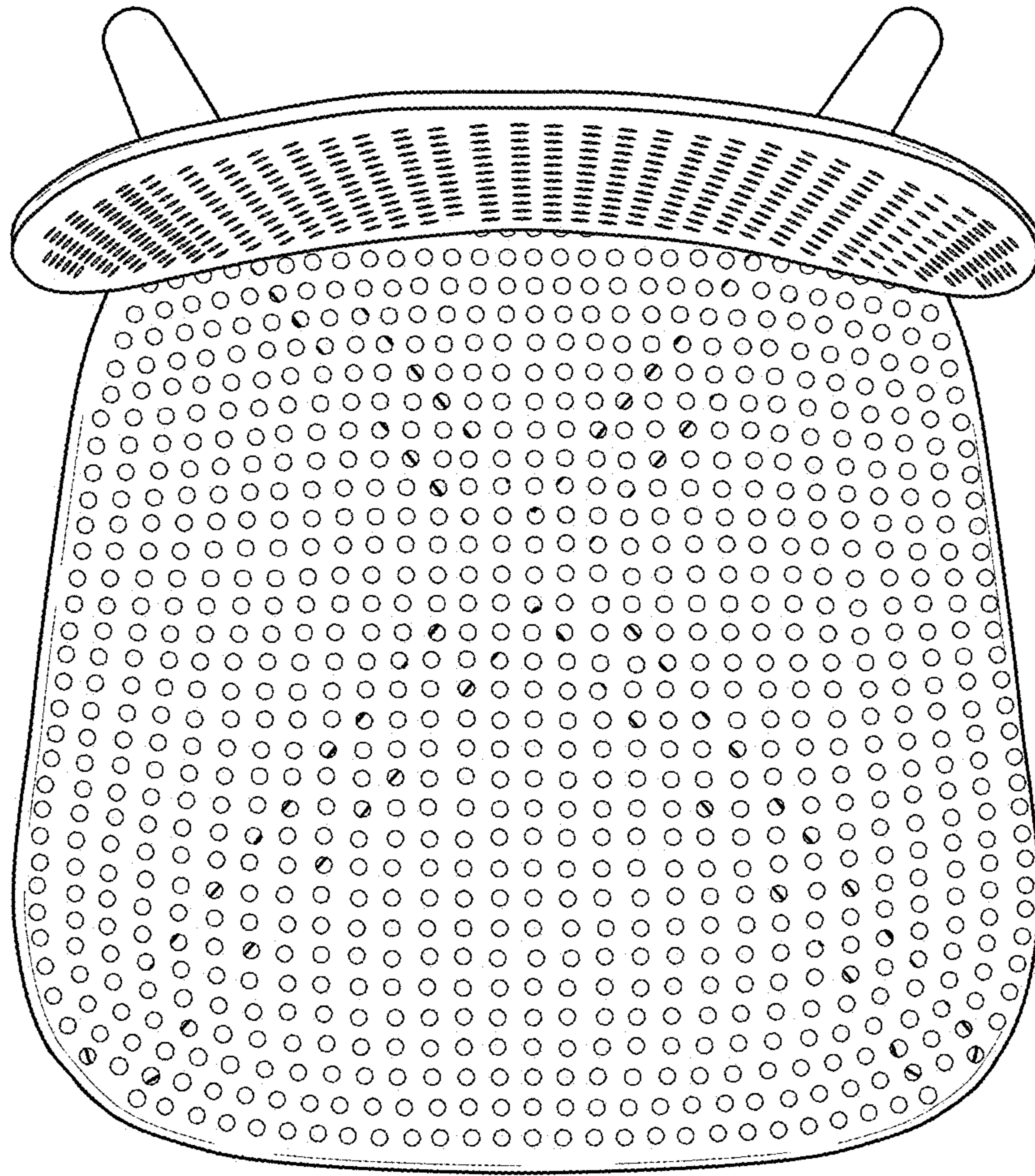


Fig.6

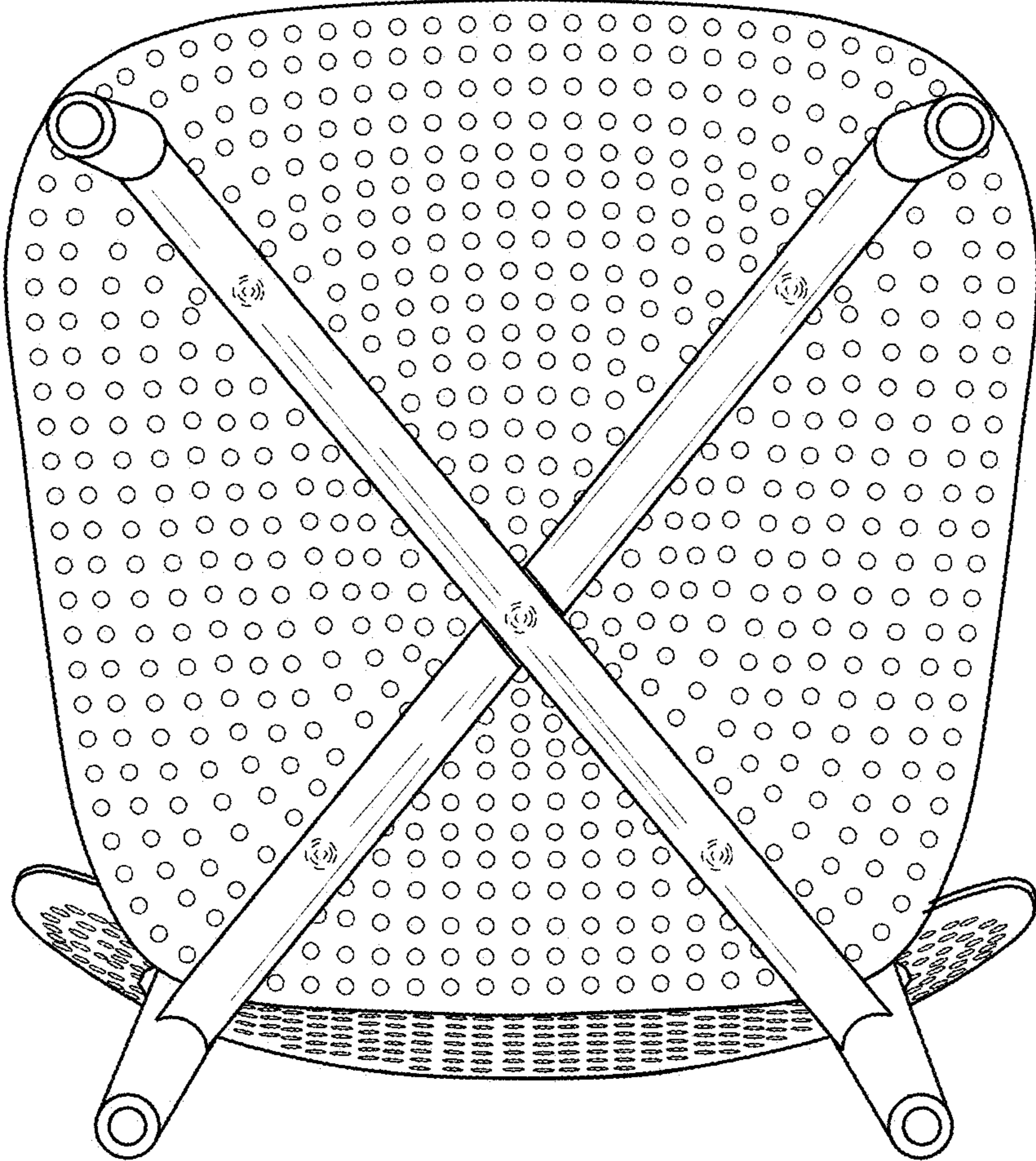


Fig.7