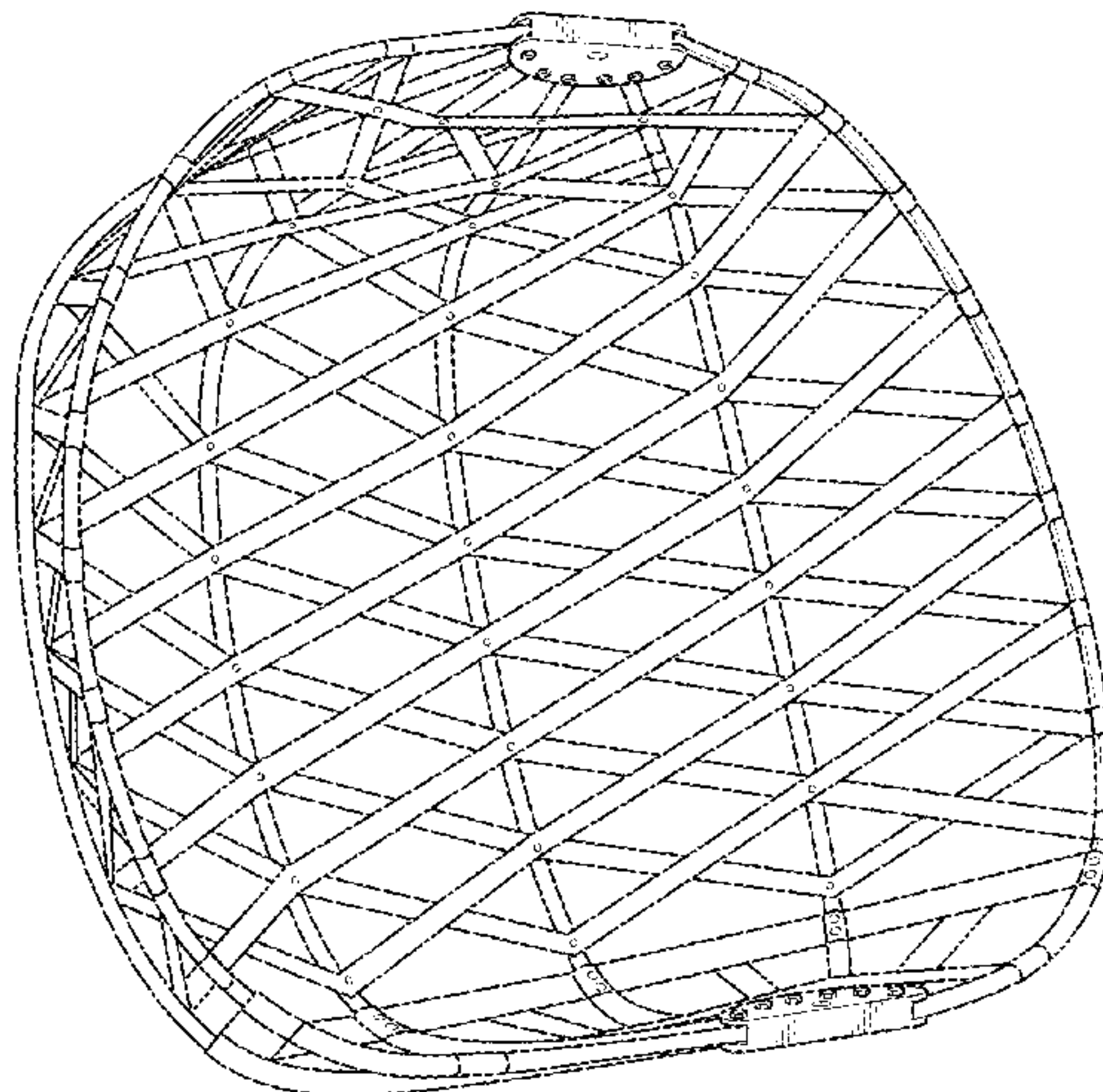




US00D938179S

(12) **United States Design Patent** (10) **Patent No.:** **US D938,179 S**  
**Wehner** (45) **Date of Patent:** **\*\* Dec. 14, 2021**

- (54) **CHAIR** 1,646,716 A \* 10/1927 Wheeler ..... A47D 13/105  
 (71) Applicant: **Worldwide Creations, LLC**, Clio, MI 2,689,602 A 9/1954 Morgan 5/101  
 (US) 2,796,877 A 6/1957 Berseth  
 (72) Inventor: **Scott D. Wehner**, Clio, MI (US) 3,034,154 A 5/1962 Silverstone  
 3,130,969 A 4/1964 Groth  
 (73) Assignee: **Worldwide Creations, LLC**, Clio, MI D198,779 S 8/1964 Bredon  
 (US) 3,145,990 A 8/1964 Prouty  
 D199,535 S 11/1964 Doss  
 3,186,711 A \* 6/1965 Morrow ..... A63G 9/04  
 (\*\*) Term: **15 Years** 472/118  
 (21) Appl. No.: **29/714,992** 3,213,868 A \* 10/1965 Forbes ..... E04B 1/3441  
 135/98  
 (22) Filed: **Nov. 27, 2019** 3,344,443 A 10/1967 Bounell  
 D212,801 S 11/1968 Aarnie  
 (51) **LOC (13) Cl.** ..... **06-01** 3,528,657 A 9/1970 Krupsky  
 (52) **U.S. Cl.** D223,444 S 4/1972 Glaser  
 USPC ..... **D6/369** D232,500 S 8/1974 McGreevy et al.  
 D232,957 S 9/1974 Kehelin  
 (58) **Field of Classification Search** 3,902,264 A 9/1975 Radig  
 USPC ..... D6/334, 341, 342, 347, 360, 364, 365, D243,044 S 1/1977 Pathman  
 D6/386, 387, 389, 643, 650, 677, 716, 4,000,749 A 1/1977 Busco  
 D6/718.1, 718.11, 344, 359, 368, 369, 4,047,752 A 9/1977 Rohr  
 D6/708.16; D21/521, 797, 707, 713, 781; D248,986 S 8/1978 Nakata  
 D249,408 S 9/1978 Jackson  
 D23/292; D12/52, 322; D30/124, 128 D249,753 S 10/1978 Pratt  
 D252,602 S 8/1979 Cirrone  
 CPC .... A47C 3/02; A47C 3/12; A47C 3/18; A47C D254,458 S 3/1980 Wakefield  
 3/26; A47C 3/0255; A47C 4/24; A47C D254,829 S 4/1980 Gass  
 5/02; A47C 7/443; A47C 15/008; A47C 4,244,622 A 1/1981 Simpson  
 4/02; A47C 4/18; A47C 4/30; A47C 4/42; 4,258,951 A 3/1981 Groom  
 A47C 4/286; A47C 5/04; A47C 17/84; D259,610 S 6/1981 Martin  
 A47D 9/00; A47D 13/02; A47D 13/10; D263,663 S 4/1982 Moreau  
 A47D 13/105; A63G 9/00; A63G 9/02; D265,454 S 7/1982 Martin  
 A63G 1/20; A63G 9/04; A63G 9/14; D266,040 S 9/1982 Cope  
 A63G 9/12; A45F 3/22; A45F 3/24; A45F D271,548 S 11/1983 Bowsher  
 3/26; F21S 4/15; F21S 4/20; F21S 4/28; D271,641 S 12/1983 Bowsher  
 F21S 6/00; F21S 8/063; F21V 17/007; D273,943 S 5/1984 Dillon  
 F21V 17/02; F21V 3/02; F21V 21/14; D273,967 S 5/1984 Budde  
 F21V 21/08; E04H 4/108; E04H 15/38; D274,133 S 6/1984 Dillon  
 E04H 15/28; E04B 1/3441; B44C 5/00; D274,347 S 6/1984 Budde  
 A63B 69/0091; A63B 19/04; A61G D274,986 S 8/1984 Mermelstein  
 15/005 D278,549 S 4/1985 Kristich  
 See application file for complete search history. 4,526,307 A 7/1985 Parker  
 4,550,456 A 11/1985 Allen  
 D282,970 S 3/1986 Parkin  
 D289,870 S 5/1987 Berchtold  
 D295,391 S 4/1988 Maddox  
 4,838,292 A 6/1989 Allen  
 D306,196 S 2/1990 Muirhead  
 D309,681 S 8/1990 Solomon et al.  
 D309,683 S 8/1990 Solomon  
 D323,535 S 1/1992 Foender et al.
- (56) **References Cited**  
 U.S. PATENT DOCUMENTS  
 979,037 A 12/1910 Searle  
 D44,625 S 9/1913 De Yoos





# US D938,179 S

5,097,545 A	3/1992	Hooi		D529,343 S	10/2006	Minor
D330,223 S	* 10/1992	Crum .....	D11/176	D532,826 S	11/2006	Gomez et al.
D331,158 S	11/1992	Hooi		D533,239 S	12/2006	Yang
D336,378 S	6/1993	Kittridge		D536,888 S	2/2007	Dykstra
D346,070 S	4/1994	Kither		D538,545 S	3/2007	Zimmermann
D348,161 S	6/1994	Craig, III		D539,048 S	3/2007	Zimmermann
D348,361 S	7/1994	Beecher		D539,049 S	3/2007	Zimmermann
D349,008 S	7/1994	Minor		D539,050 S	3/2007	Zimmermann
D349,631 S	8/1994	Redmon		D541,058 S	4/2007	Dykstra
D350,699 S	9/1994	Lincourt		7,204,549 B1	4/2007	Zeng
D354,371 S	1/1995	Wood		D541,552 S	5/2007	Weldon
D354,639 S	1/1995	Stoddard		D552,853 S	10/2007	Goodrick
D354,641 S	1/1995	Stoddard		D553,014 S	10/2007	Foster
D355,334 S	2/1995	Minor		D553,015 S	10/2007	Foster
D357,386 S	4/1995	Jones		D553,016 S	10/2007	Foster
5,439,016 A	8/1995	Grahn		D554,200 S	10/2007	Cooper
D364,287 S	11/1995	Jurasinski		D555,923 S	11/2007	Dykstra
D366,064 S	1/1996	Milojevich		D558,293 S	12/2007	Brumbach et al.
5,511,258 A	4/1996	Barr, Sr.		D565,125 S	3/2008	Collier
D369,476 S	5/1996	Quill		7,367,068 B2	5/2008	Huff
D374,127 S	10/1996	Diaz		7,380,880 B2	6/2008	Molen
D375,422 S	11/1996	Jurasinski		7,404,601 B2	7/2008	Chen
5,588,702 A	12/1996	Litwin		D575,079 S	8/2008	Hirsh
D384,211 S	9/1997	Wied et al.		D576,808 S	9/2008	Ton
5,695,253 A	12/1997	Jenkins		D577,388 S	9/2008	Lo et al.
D392,913 S	3/1998	Edwards		D577,390 S	9/2008	Collier
D393,303 S	4/1998	Van Wagenen		D577,774 S	9/2008	Lo et al.
D396,642 S	8/1998	Lai		D580,634 S	11/2008	Robinson
D401,605 S	11/1998	Shirley		D586,187 S	2/2009	Sax
D405,639 S	2/1999	Clark et al.		D596,672 S	7/2009	Roman
D408,877 S	4/1999	Sonntag		D596,675 S	7/2009	Roman Moreno
5,918,615 A	7/1999	Stuck, Sr.		D609,987 S	2/2010	Moman
5,944,381 A	8/1999	Nguyen		D611,729 S	3/2010	Lau
D414,045 S	9/1999	Morrow		D612,541 S	3/2010	Righetti
D416,770 S	11/1999	Thorpe		D620,320 S	7/2010	Carter
D419,387 S	1/2000	Hansen		D623,436 S	9/2010	Lau
D419,389 S	1/2000	Hansen		D630,689 S	1/2011	Tsutsui
D420,520 S	2/2000	Johnston		D632,138 S	2/2011	Carter
D420,552 S	2/2000	Hansen		D634,380 S	3/2011	Walling, Jr. et al.
D420,861 S	2/2000	Hansen		D638,071 S	5/2011	Tyler
D421,033 S	2/2000	Shirley		7,967,374 B2	6/2011	Akkad
D421,034 S	2/2000	Shirley et al.		D643,807 S	8/2011	Gelin
D421,035 S	2/2000	Shirley		D649,800 S	12/2011	Lievore et al.
D422,155 S	4/2000	Rougie		D653,808 S	2/2012	Gelin
D431,136 S	9/2000	Palardis		D653,810 S	2/2012	Gelin
D436,382 S	1/2001	Podd et al.		D660,034 S	5/2012	Frey et al.
6,212,811 B1	4/2001	Jones		D660,608 S	5/2012	Hasman
D442,884 S	5/2001	Olinger		D675,268 S	1/2013	Cranke
D442,885 S	5/2001	Olinger		D677,914 S	3/2013	Cardenas
D443,229 S	6/2001	Olinger		D679,104 S	4/2013	Pouzet
D446,267 S	8/2001	Feeney		D682,565 S	5/2013	McDonald
6,401,404 B1	6/2002	Fillipp et al.		D690,377 S	9/2013	Cranke
D463,515 S	9/2002	Kulp		D692,083 S	10/2013	Toland
6,474,843 B2	11/2002	Shieh		D697,566 S	1/2014	Smith
D469,145 S	1/2003	Underwood		D698,696 S	2/2014	McBurney et al.
D469,628 S	2/2003	Strohfus		D702,449 S	4/2014	Puotiniemi
D489,103 S	4/2004	Jandorf		D705,499 S	5/2014	Zamarripa
6,752,732 B2	6/2004	Morrison et al.		D705,865 S	5/2014	Roth
D496,169 S	9/2004	Hightower		8,764,234 B1	7/2014	Acree et al.
D496,802 S	10/2004	Hightower		D720,148 S	12/2014	Urquiola
D501,328 S	2/2005	Fonfeder		D727,445 S	4/2015	Viramontez
D501,610 S	2/2005	Hightower		9,067,146 B1	6/2015	Cordray
D501,729 S	2/2005	Fonfeder		9,095,204 B2	8/2015	Ou
D501,730 S	2/2005	Fonfeder		D738,123 S	9/2015	Wu
6,848,740 B1	2/2005	Reese		D738,128 S	9/2015	Paslowski
D503,554 S	4/2005	Kay		D738,637 S	9/2015	Dean
D503,555 S	4/2005	Hightower		D742,277 S	11/2015	Wegrzyn
D507,305 S	7/2005	Dill		D752,164 S	3/2016	Rio
D507,706 S	7/2005	Lo		D759,396 S	6/2016	Wehner
D511,191 S	11/2005	Fryer		D760,488 S	7/2016	Diamond
D511,654 S	11/2005	Bailey		D760,506 S	7/2016	McDonald
D515,830 S	2/2006	Zheng		D761,575 S	7/2016	Preston
D515,876 S	2/2006	Minor		D764,160 S	8/2016	Diamond
D516,330 S	3/2006	Ruiter		9,440,154 B1	9/2016	Cordray et al.
D516,645 S	3/2006	Chung		D768,795 S	10/2016	O'Malley
D516,825 S	3/2006	Zheng		9,468,284 B2	10/2016	Wehner
D516,826 S	3/2006	Zheng		D773,221 S	12/2016	Lee
D517,819 S	3/2006	Zheng		D777,898 S *	1/2017	Kumar .....
D522,260 S	6/2006	Strachan		9,554,653 B2	1/2017	Lee



D778,656	S	2/2017	Lee	
D781,061	S	3/2017	Merritt	
9,630,119	B2	4/2017	Fries et al.	
D785,976	S	5/2017	Hagerty	
D787,842	S	5/2017	Lenton	
D788,634	S	6/2017	Wegrzyn	
D791,640	S	7/2017	Wegrzyn	
9,713,372	B1	7/2017	Chen	
D796,865	S	9/2017	Haug	
D800,508	S	10/2017	Peters	
D804,835	S	12/2017	Wehner	
9,861,181	B2	1/2018	Wehner	
D814,813	S	4/2018	Hassman	
D817,013	S	5/2018	Hassman	
D819,348	S	6/2018	Hassman	
D819,349	S	6/2018	Wehner	
D819,989	S	6/2018	Hassman	
D820,605	S	6/2018	Hassman	
D820,606	S	6/2018	Hassman	
D820,608	S	6/2018	Wehner	
D820,609	S	6/2018	Wehner	
D821,109	S	6/2018	Wehner	
10,016,048	B2	7/2018	Wehner	
D827,317	S	9/2018	Wehner	
D828,697	S	9/2018	Wehner	
D829,454	S	10/2018	Wehner	
10,161,601	B1	12/2018	Chen	
D842,950	S	3/2019	O'Malley	
D847,922	S	5/2019	Hunter	
D848,753	S	5/2019	Wehner	
10,398,214	B2	9/2019	Wehner	
D861,365	S	10/2019	Figdor	
D864,322	S	10/2019	Finley et al.	
D865,383	S	11/2019	Wehner	
D871,785	S	1/2020	Wehner	
10,631,647	B1	4/2020	Wu et al.	
D889,144	S	7/2020	Wehner	
D897,123	S	* 9/2020	Tan	D6/347
D898,397	S	* 10/2020	Wehner	D6/370
D899,112	S	* 10/2020	Wehner	D6/344
D899,166	S	10/2020	Wehner	
D901,921	S	* 11/2020	Bergmann	D6/369
D905,562	S	12/2020	Futral et al.	
D911,870	S	* 3/2021	Wang	D11/130.1
2003/0024448	A1	2/2003	Lieberman	
2003/0057754	A1	3/2003	Snyders	
2003/0140417	A1	7/2003	Huff	
2005/0108821	A1	5/2005	Gardner	
2005/0277499	A1	12/2005	Tang et al.	
2007/0283611	A1	12/2007	Laurent et al.	
2008/0060128	A1	3/2008	Forshpan	
2008/0064539	A1	3/2008	Mark	
2008/0203774	A1	8/2008	Hemetsberger	
2010/0252083	A1	10/2010	Ogle	
2011/0254334	A1	10/2011	Phillips	
2012/0004058	A1	1/2012	Fujikura et al.	
2012/0178543	A1	7/2012	Monachello	
2015/0018108	A1	1/2015	Lacy et al.	
2015/0030790	A1	1/2015	Duncan, III	
2015/0335136	A1	11/2015	Wehner	
2016/0107095	A1	4/2016	Fries et al.	
2017/0234025	A1	8/2017	Bottome et al.	
2020/0292920	A1*	9/2020	Lin	G03B 15/06

FOREIGN PATENT DOCUMENTS

EM	000963707-0001	7/2008
EM	000963707-0002	7/2008
GB	814554 A	6/1959

OTHER PUBLICATIONS

Internet Archive Wayback Machine capture of The Floating Bed, <https://web.archive.org/web/20030512020135/http://www.floatingbed.com:80/bigger-view/outdoor-tent-bed-tree.html> <<https://web.archive.org/web/20030512020135/http://www.floatingbed.com:80/bigger-view/outdoor-tent-bed-tree.html>>, capture dated May 12, 2003, print-out dated Aug. 16, 2017.

Internet Archive Wayback Machine's capture of The Floating Bed, <https://web.archive.org/web/20030513102711/http://www.floatingbed.com:80/bigger-view/outdoor-tent-bed.html> <<https://web.archive.org/web/20030513102711/http://www.floatingbed.com:80/bigger-view/outdoor-tent-bed.html>>, capture dated May 13, 2003, print-out dated Aug. 16, 2017.

National Archives and Records Administration, Gabe Gobin, an Indian logger, in front of his home. Tulalip Reservation, Washington, <[https://commons.wikimedia.org/wiki/File:Gabe\\_Gobin,\\_an\\_Indian\\_logger,\\_in\\_front\\_of\\_his\\_home\\_Tulalip\\_Reservation,\\_Washington,\\_1916\\_-\\_NARA\\_-\\_518929.tif](https://commons.wikimedia.org/wiki/File:Gabe_Gobin,_an_Indian_logger,_in_front_of_his_home_Tulalip_Reservation,_Washington,_1916_-_NARA_-_518929.tif)>, created Dec. 31, 1915, print-out dated Aug. 22, 2017.

Wikipedia, Weaver Nest in Malaysia, [https://en.wikipedia.org/wiki/Ploceidae#/media/File:Weaver\\_Nest.jpg](https://en.wikipedia.org/wiki/Ploceidae#/media/File:Weaver_Nest.jpg) <<https://en.wikipedia.org/wiki/Ploceidae>>, created Mar. 28, 2013, print-out dated Aug. 22, 2017.

Fine Mod Imports Euro Aarnio Style Bubble Hanging Chair, [www.instylemodern.com/Eero-Aarnio-Style-Bubble-Hanging-Chair-White-Cushi-p/1122-white-with-stand.htm](http://www.instylemodern.com/Eero-Aarnio-Style-Bubble-Hanging-Chair-White-Cushi-p/1122-white-with-stand.htm) <<http://www.instylemodern.com/Eero-Aarnio-Style-Bubble-Hanging-Chair-White-Cushi-p/1122-white-with-stand.htm>>, captured on Jun. 29, 2018.

ACME 2-Piece All Star Set Chair and Ottoman, Baseball, [www.amazon.com/05528-2-Piece-Chair-Ottoman-Baseball/dp/B004H6UYAE](http://www.amazon.com/05528-2-Piece-Chair-Ottoman-Baseball/dp/B004H6UYAE) <<http://www.amazon.com/05528-2-Piece-Chair-Ottoman-Baseball/dp/B004H6UYAE>>, captured Jun. 29, 2018.

Coaster Kid's Swivel Chair and Ottoman Set, Basketball Design, [www.amazon.com/Coaster-Swivel-Ottoman-Basketball-2-Pieces/dp/B000W18UHA](http://www.amazon.com/Coaster-Swivel-Ottoman-Basketball-2-Pieces/dp/B000W18UHA) <<http://www.amazon.com/Coaster-Swivel-Ottoman-Basketball-2-Pieces/dp/B000W18UHA>>, captured on Jun. 29, 2018.

Fine Mod Imports Egg Hanging Chair, [www.finemodimports.com/Egg\\_Hanging\\_Chair\\_p/fmi2208.htm](http://www.finemodimports.com/Egg_Hanging_Chair_p/fmi2208.htm) <[http://www.finemodimports.com/Egg\\_Hanging\\_Chair\\_p/fmi2208.htm](http://www.finemodimports.com/Egg_Hanging_Chair_p/fmi2208.htm)>, captured on Jun. 29, 2018.

Design Market Nanna Ditzel Egg Chair, [www.design-mkt.com/154-egg-hanging-chair-nanna-ditzel-1959.html](http://www.design-mkt.com/154-egg-hanging-chair-nanna-ditzel-1959.html) <<http://www.design-mkt.com/154-egg-hanging-chair-nanna-ditzel-1959.html>>, captured Jun. 29, 2018.

Wildon Home Kid's Football Chair and Ottoman Set, [www.amazon.com/Kids-Football-Chair-Ottoman-Set/dp/B00XYTD5FG/](http://www.amazon.com/Kids-Football-Chair-Ottoman-Set/dp/B00XYTD5FG/) <<http://www.amazon.com/Kids-Football-Chair-Ottoman-Set/dp/B00XYTD5FG/>>, captured Jun. 29, 2018.

Wicker Hanging Swing Patio Bed, [www.karimunjawaadventure.com/item-detail/wicker-hanging-swing-patio-bed-swing-steel-garden-swing.html](http://www.karimunjawaadventure.com/item-detail/wicker-hanging-swing-patio-bed-swing-steel-garden-swing.html) <<http://www.karimunjawaadventure.com/item-detail/wicker-hanging-swing-patio-bed-swing-steel-garden-swing.html>>, captured Jun. 29, 2018.

Football Hanging Chair on Alibaba, [www.alibaba.com/product-detail/football-design-swing-hang-chair-outdoor\\_60325860005.html?spm=a2700.galleryofferlist.normalList.23.5f287b1802IByl](http://www.alibaba.com/product-detail/football-design-swing-hang-chair-outdoor_60325860005.html?spm=a2700.galleryofferlist.normalList.23.5f287b1802IByl) <[http://www.alibaba.com/product-detail/football-design-swing-hang-chair-outdoor\\_60325860005.html?spm=a2700.galleryofferlist.normalList.23.5f287b1802IByl](http://www.alibaba.com/product-detail/football-design-swing-hang-chair-outdoor_60325860005.html?spm=a2700.galleryofferlist.normalList.23.5f287b1802IByl)>, captured Jun. 29, 2018.

Found Rattan Outdoor Bed, [gptoparts.en.alibaba.com/product/60149906396-221138431/Round\\_rattan\\_outdoor\\_bed\\_outdoor\\_swing\\_bed\\_round\\_hanging\\_bed\\_round.html?spm=a2700.8304367.prewdfa4cf.1.576f3e26neSEBx](http://gptoparts.en.alibaba.com/product/60149906396-221138431/Round_rattan_outdoor_bed_outdoor_swing_bed_round_hanging_bed_round.html?spm=a2700.8304367.prewdfa4cf.1.576f3e26neSEBx), captured Jun. 29, 2018.

Round Egg Straight Hanging Chair, [gptoparts.en.alibaba.com/product/60194886386-221138431/Outdoor\\_Wicker\\_Patio\\_Furniture\\_Round\\_Egg\\_Straight\\_Hanging\\_Chair\\_NEW\\_.html?spm=a2700.8304367.prewdfa4cf.16.e5203e27WgVkmD](http://gptoparts.en.alibaba.com/product/60194886386-221138431/Outdoor_Wicker_Patio_Furniture_Round_Egg_Straight_Hanging_Chair_NEW_.html?spm=a2700.8304367.prewdfa4cf.16.e5203e27WgVkmD), captured Jun. 29, 2018.

Swing Hanging Chair, [gptoparts.en.alibaba.com/product/60134002497-221138431/Swing\\_hanging\\_chair\\_cheap\\_material\\_PE\\_rattan\\_popular\\_in\\_many\\_countries.html?spm=a2700.8304367.prewdfa4cf.4.45803e26KjE2Q6](http://gptoparts.en.alibaba.com/product/60134002497-221138431/Swing_hanging_chair_cheap_material_PE_rattan_popular_in_many_countries.html?spm=a2700.8304367.prewdfa4cf.4.45803e26KjE2Q6), captured Jun. 29, 2018.

2015 New Model Wooden Horse Swing, [gptoparts.en.alibaba.com/product/60145838006-221138431/2015\\_new\\_model\\_wooden\\_horse\\_swing.html?spm=a2700.8304367.prewdfa4cf.13.7d4d3e26lv1MOa](http://gptoparts.en.alibaba.com/product/60145838006-221138431/2015_new_model_wooden_horse_swing.html?spm=a2700.8304367.prewdfa4cf.13.7d4d3e26lv1MOa), captured Jun. 29, 2018.

Two Seat Hanging Swing Chair, [gptoparts.en.alibaba.com/product/60449144448-221138431/Outdoor\\_two\\_seat\\_hanging\\_swing\\_chair\\_for\\_adult.html?spm=a2700.8304367.prewdfa4cf.16.633e3e1dUpVBU5](http://gptoparts.en.alibaba.com/product/60449144448-221138431/Outdoor_two_seat_hanging_swing_chair_for_adult.html?spm=a2700.8304367.prewdfa4cf.16.633e3e1dUpVBU5), captured Jun. 29, 2018.

Nest Chair Patio Swing, [gtoparts.en.alibaba.com/product/60672125777-221138431/Nest\\_Chair\\_Patio\\_Swing\\_Chair\\_Hanging\\_Hammock.html?spm=a2700.8304367.prewdfa4cf.10.309b3e60xpCfW0](http://gtoparts.en.alibaba.com/product/60672125777-221138431/Nest_Chair_Patio_Swing_Chair_Hanging_Hammock.html?spm=a2700.8304367.prewdfa4cf.10.309b3e60xpCfW0), captured Jun. 29, 2018.

Comfortable Bedroom Chair, [gtoparts.en.alibaba.com/product/60565028285-221138431/Wholesale\\_best\\_selling\\_in\\_Poland\\_comfortable\\_bedroom\\_chairs.html?spm=a2700.8304367.prewdfa4cf.28.558a3e18W54nwH](http://gtoparts.en.alibaba.com/product/60565028285-221138431/Wholesale_best_selling_in_Poland_comfortable_bedroom_chairs.html?spm=a2700.8304367.prewdfa4cf.28.558a3e18W54nwH), captured Jun. 29, 2018.

Round Swing Chair, [gtoparts.en.alibaba.com/product/60390746146-221138431/hot\\_sale\\_round\\_swing\\_chair\\_hanging\\_chair\\_with\\_cushion\\_for\\_1\\_person\\_hanging\\_garden\\_rocking\\_chair.html?spm=a2700.8304367.prewdfa4cf.1.48593e67yWB6YI](http://gtoparts.en.alibaba.com/product/60390746146-221138431/hot_sale_round_swing_chair_hanging_chair_with_cushion_for_1_person_hanging_garden_rocking_chair.html?spm=a2700.8304367.prewdfa4cf.1.48593e67yWB6YI), captured Jun. 29, 2018.

Multicolored Apple Shape Chair, [gtoparts.en.alibaba.com/product/60130025317-221138431/multicolored\\_apple\\_shape\\_hammock\\_eco\\_friend\\_handmade\\_chair\\_with\\_natural\\_rattan\\_and\\_bamboo\\_hanging\\_chair.html?spm=a2700.8304367.prewdfa4cf.34.37be3e27VLPiLR](http://gtoparts.en.alibaba.com/product/60130025317-221138431/multicolored_apple_shape_hammock_eco_friend_handmade_chair_with_natural_rattan_and_bamboo_hanging_chair.html?spm=a2700.8304367.prewdfa4cf.34.37be3e27VLPiLR), captured Jun. 29, 2018.

Fine Mod Imports Bird Hanging Chair, <https://www.hammockup.com/products/bird-hanging-chair-white?variant=184813387769>, captured Jul. 3, 2018.

\* cited by examiner

*Primary Examiner* — Kevin K Rudzinski

*Assistant Examiner* — Paul D Bohannon

(74) *Attorney, Agent, or Firm* — Young Basile Hanlon & MacFarlane, P.C.

(57)

**CLAIM**

The ornamental design for a chair, as shown and described.

**DESCRIPTION**

FIG. 1 is a front perspective view of a chair according to a first embodiment.

FIG. 2 is a front view of the chair of FIG. 1.

FIG. 3 is a rear view of the chair of FIG. 1.

FIG. 4 is a left-side view of the chair of FIG. 1.

FIG. 5 is a right-side view of the chair of FIG. 1.

FIG. 6 is a front perspective view of the chair of FIG. 1 shown with environment features.

FIG. 7 is a front perspective view of a chair according to a second embodiment.

FIG. 8 is a front view of the chair of FIG. 7.

FIG. 9 is a rear view of the chair of FIG. 7.

FIG. 10 is a left-side view of the chair of FIG. 7.

FIG. 11 is a right-side view of the chair of FIG. 7; and,

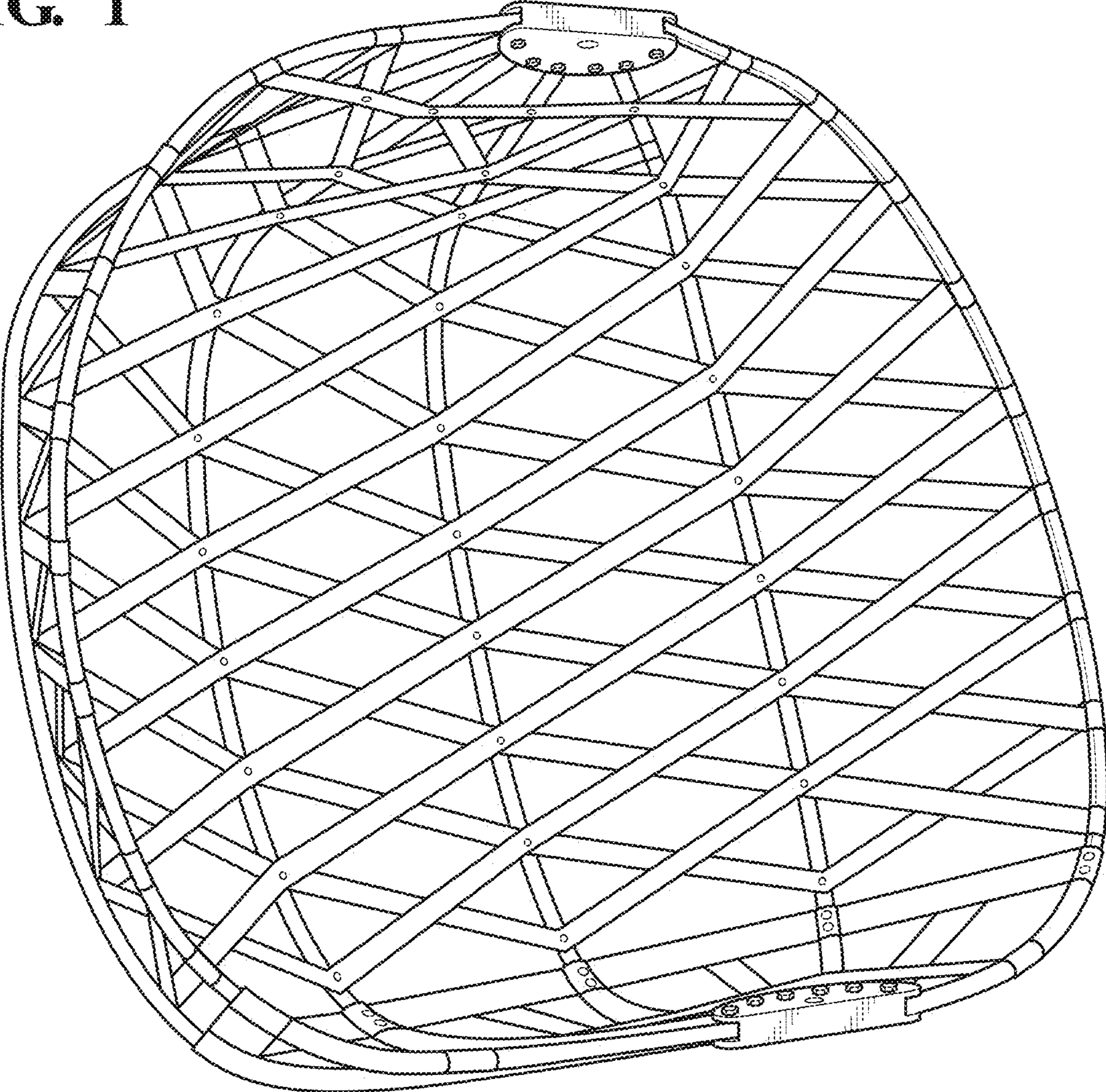
FIG. 12 is a front perspective view of the chair of FIG. 7 shown with environment features.

The broken lines shown in the drawings are for the purpose of illustrating environmental subject matter and form no part of the claimed design.

**1 Claim, 12 Drawing Sheets**



FIG. 1



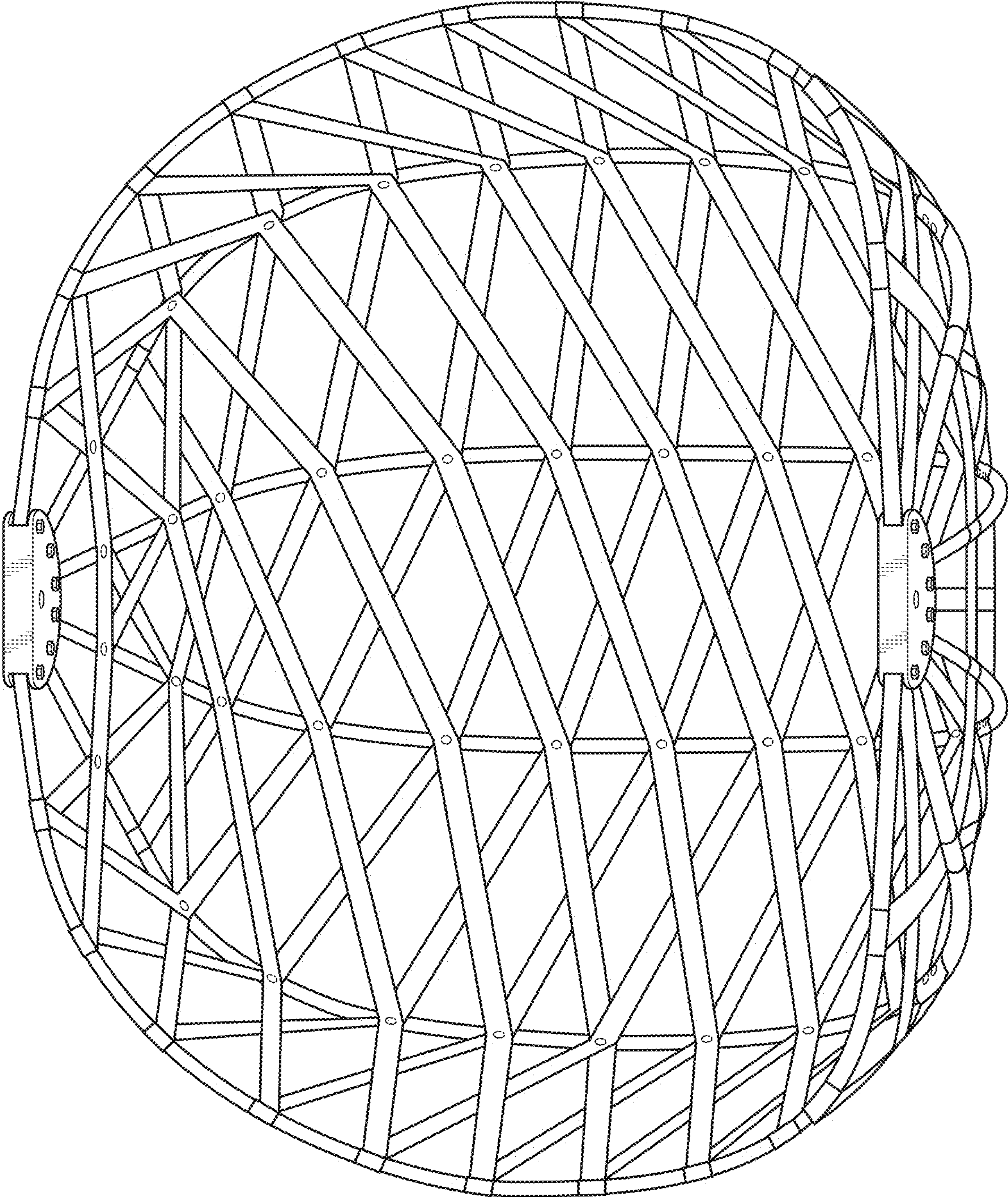


FIG. 2



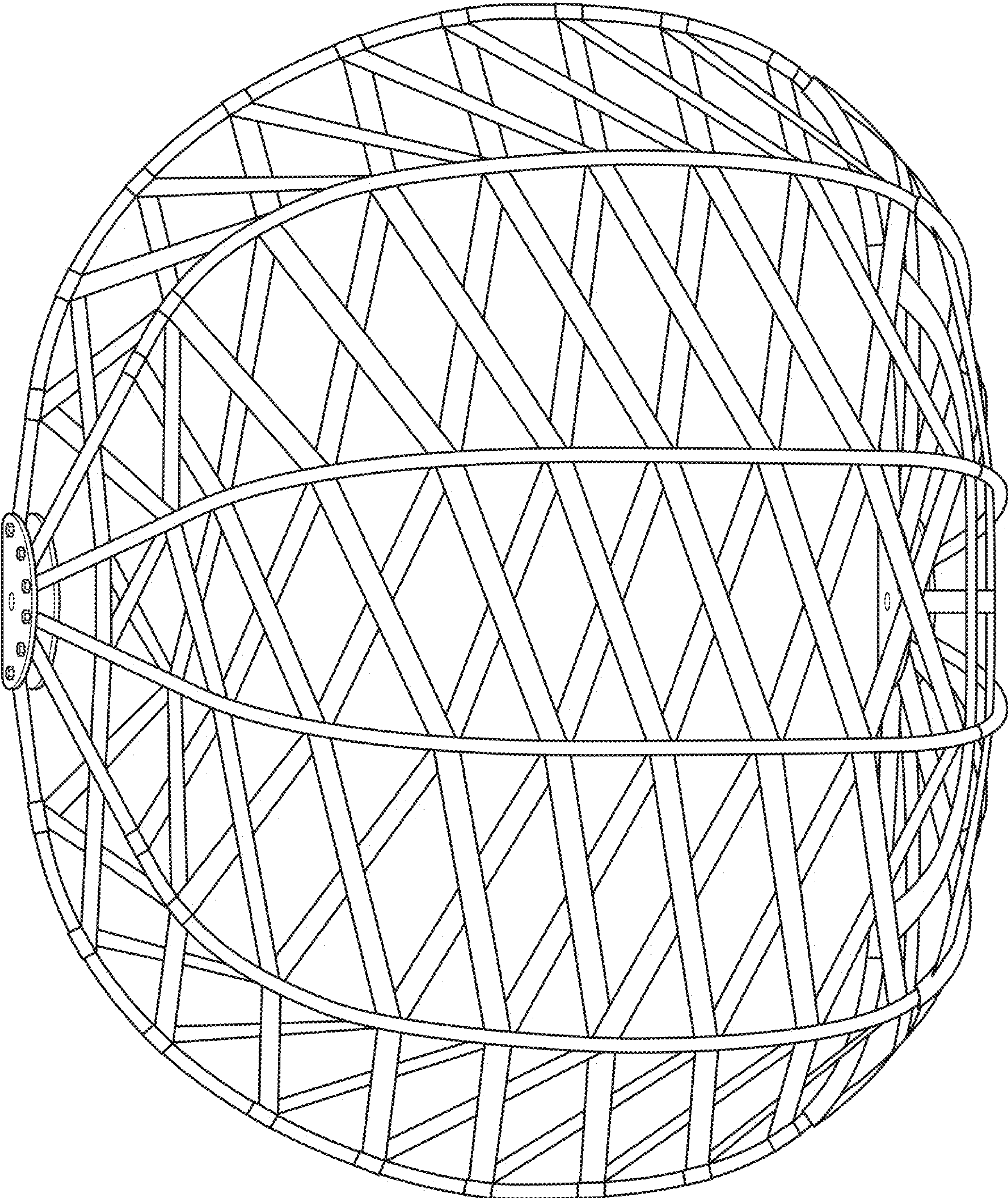


FIG. 3

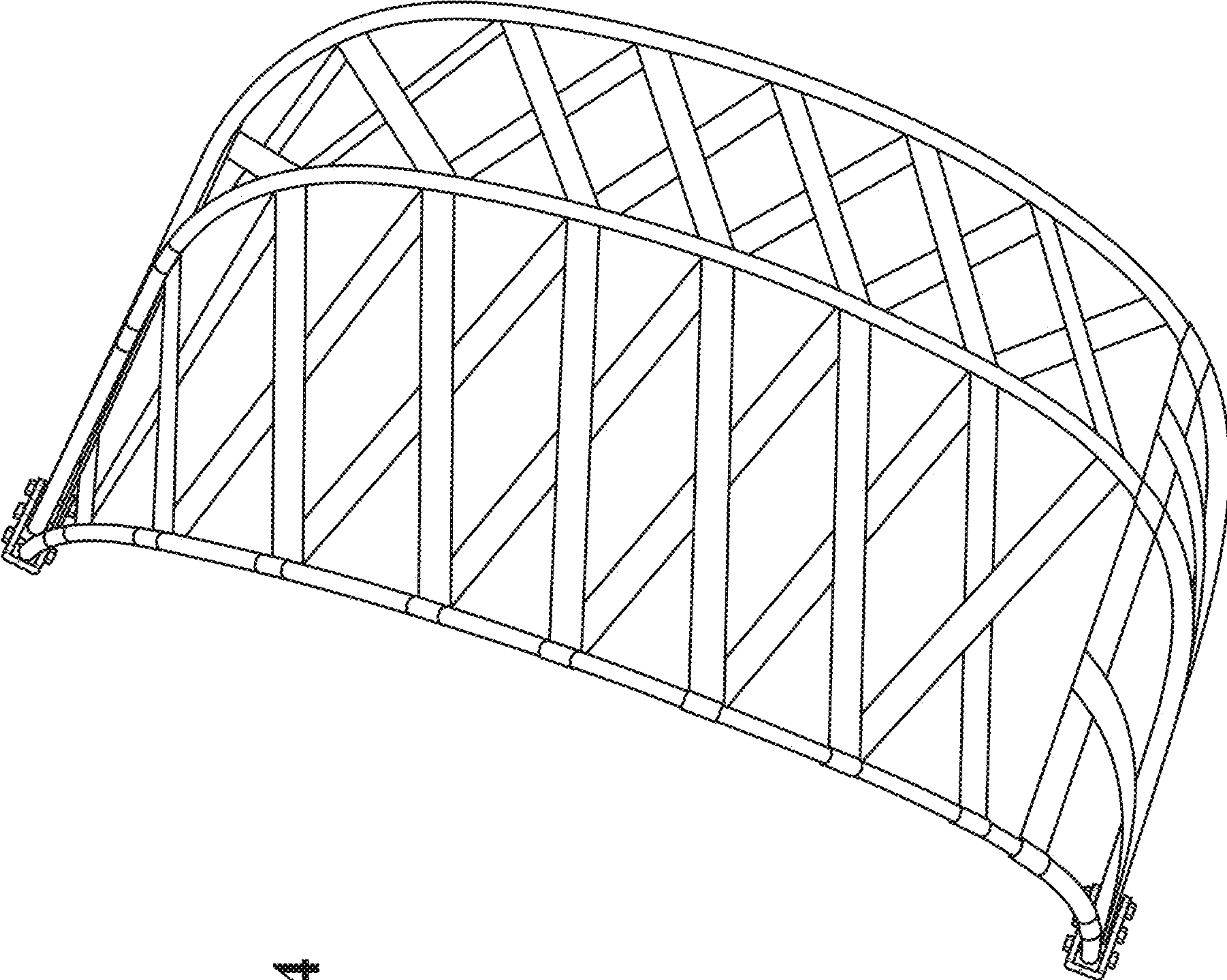


FIG. 4



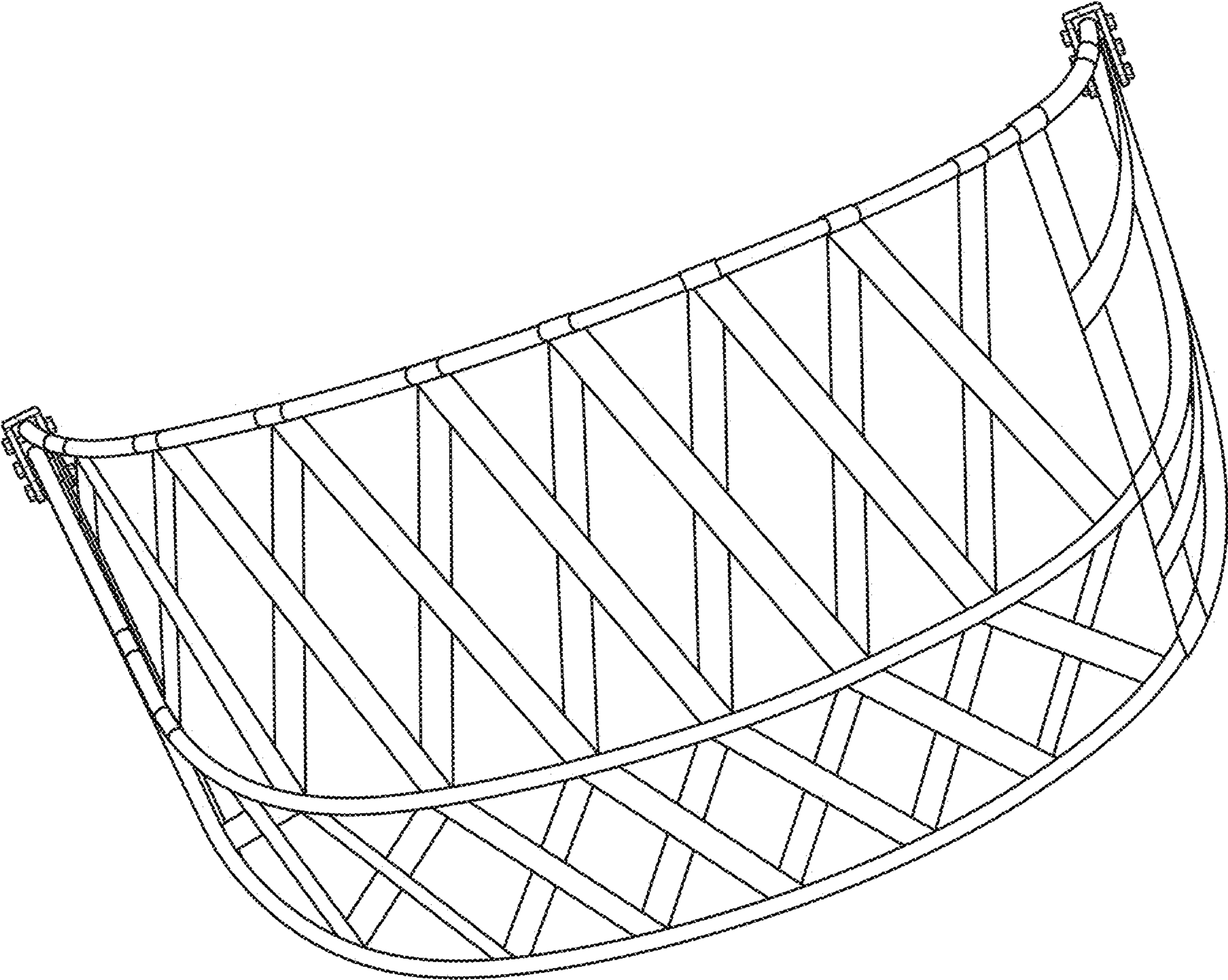


FIG. 5

FIG. 6

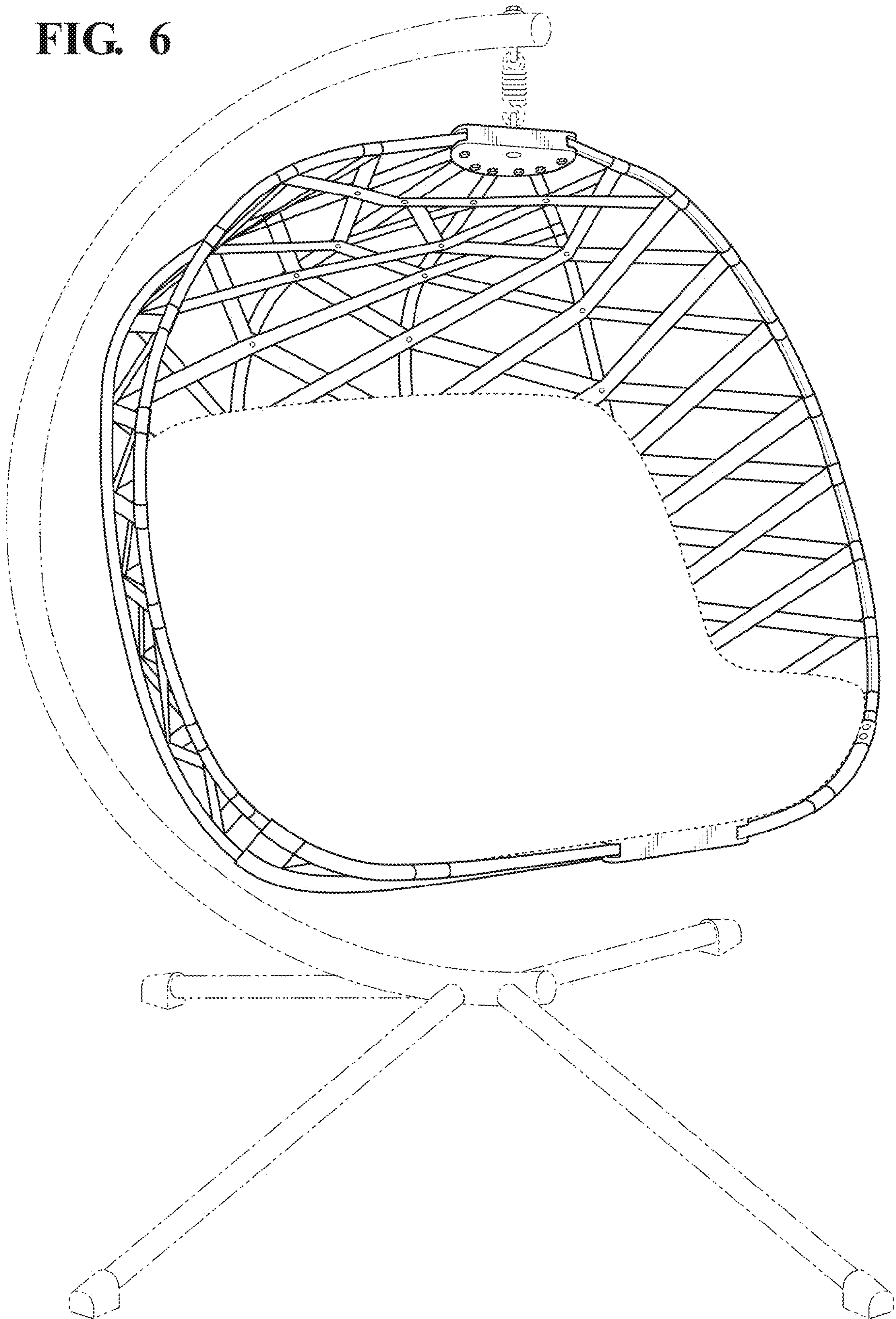
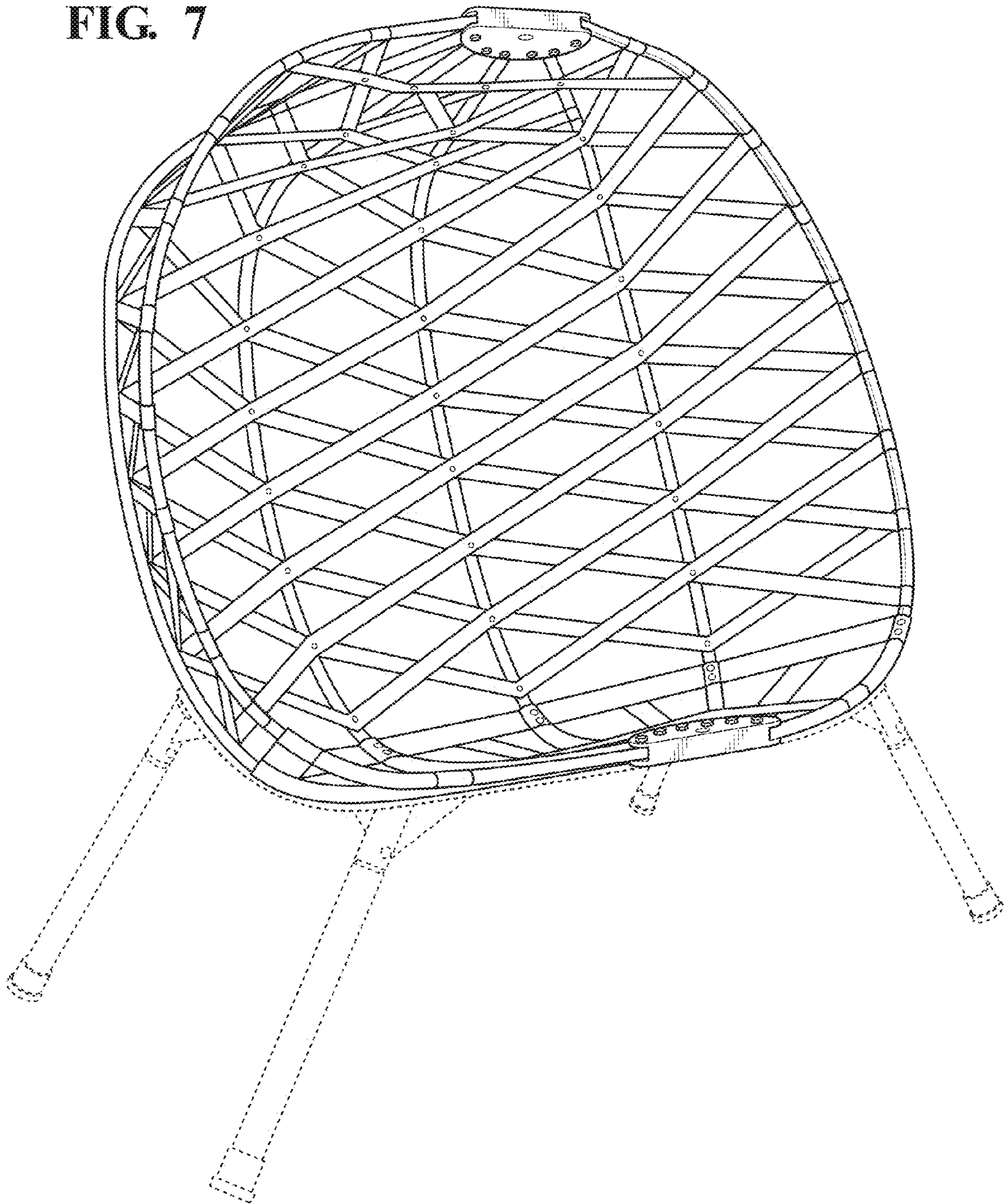




FIG. 7



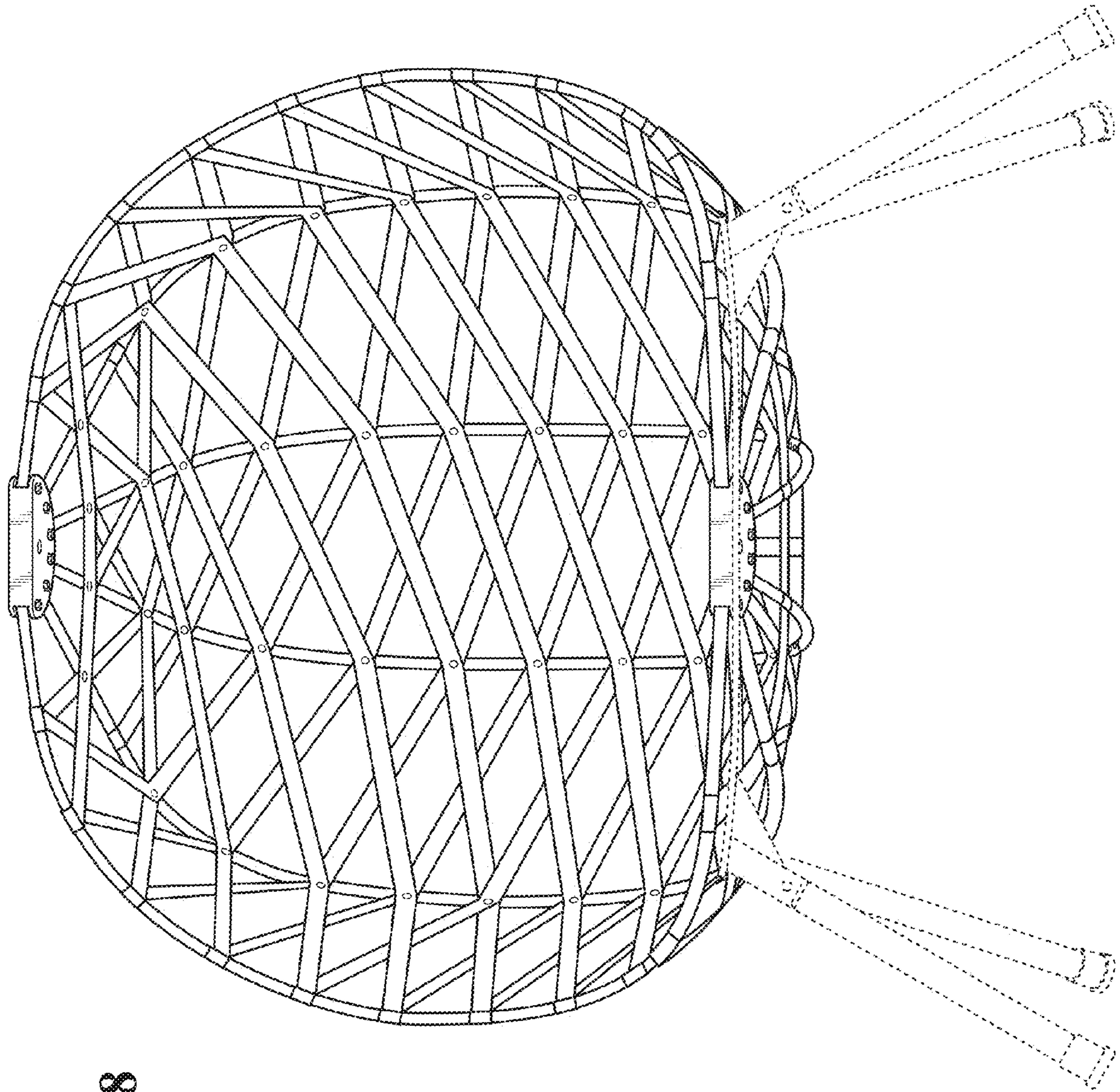


FIG. 8



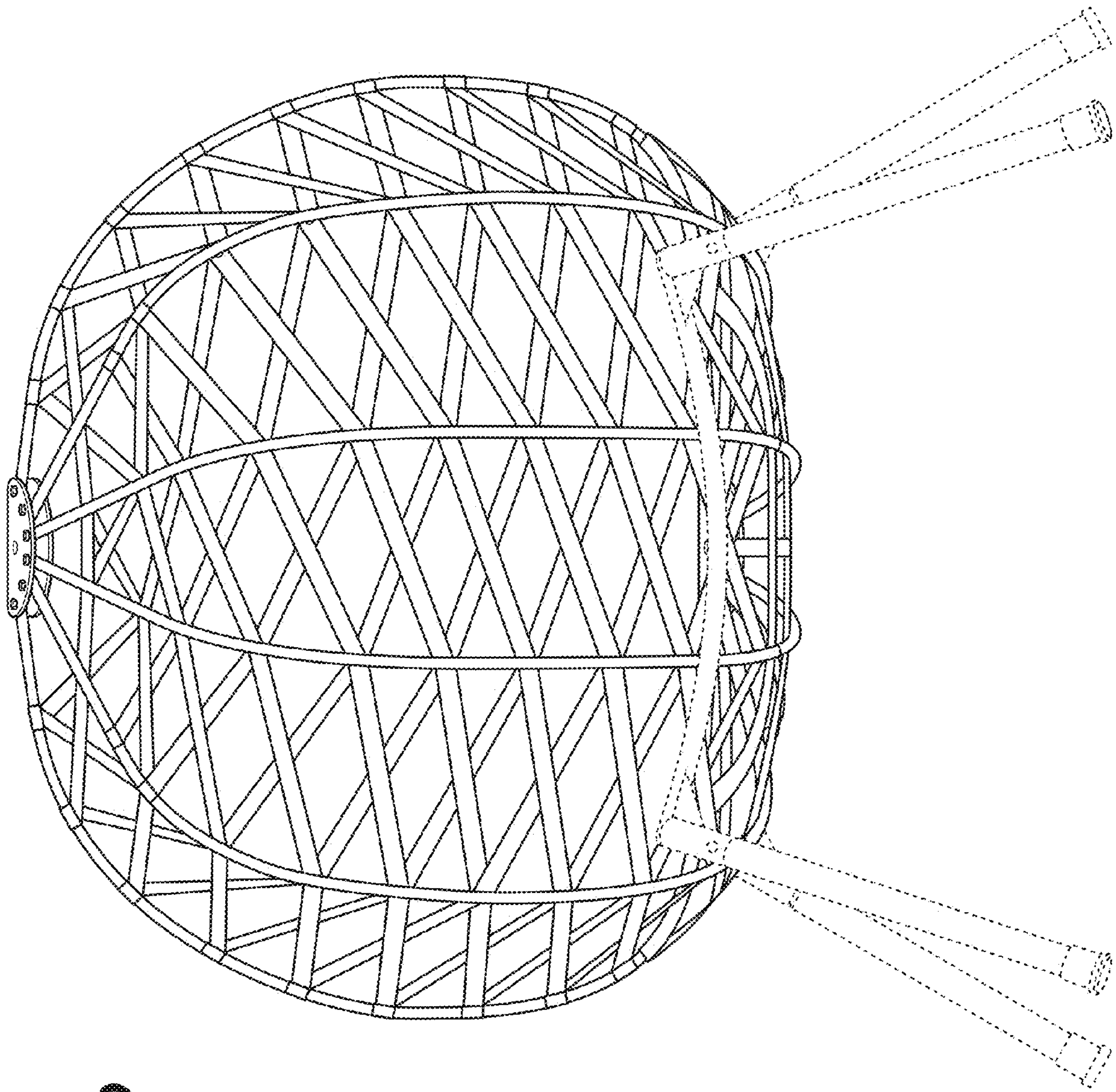


FIG. 9

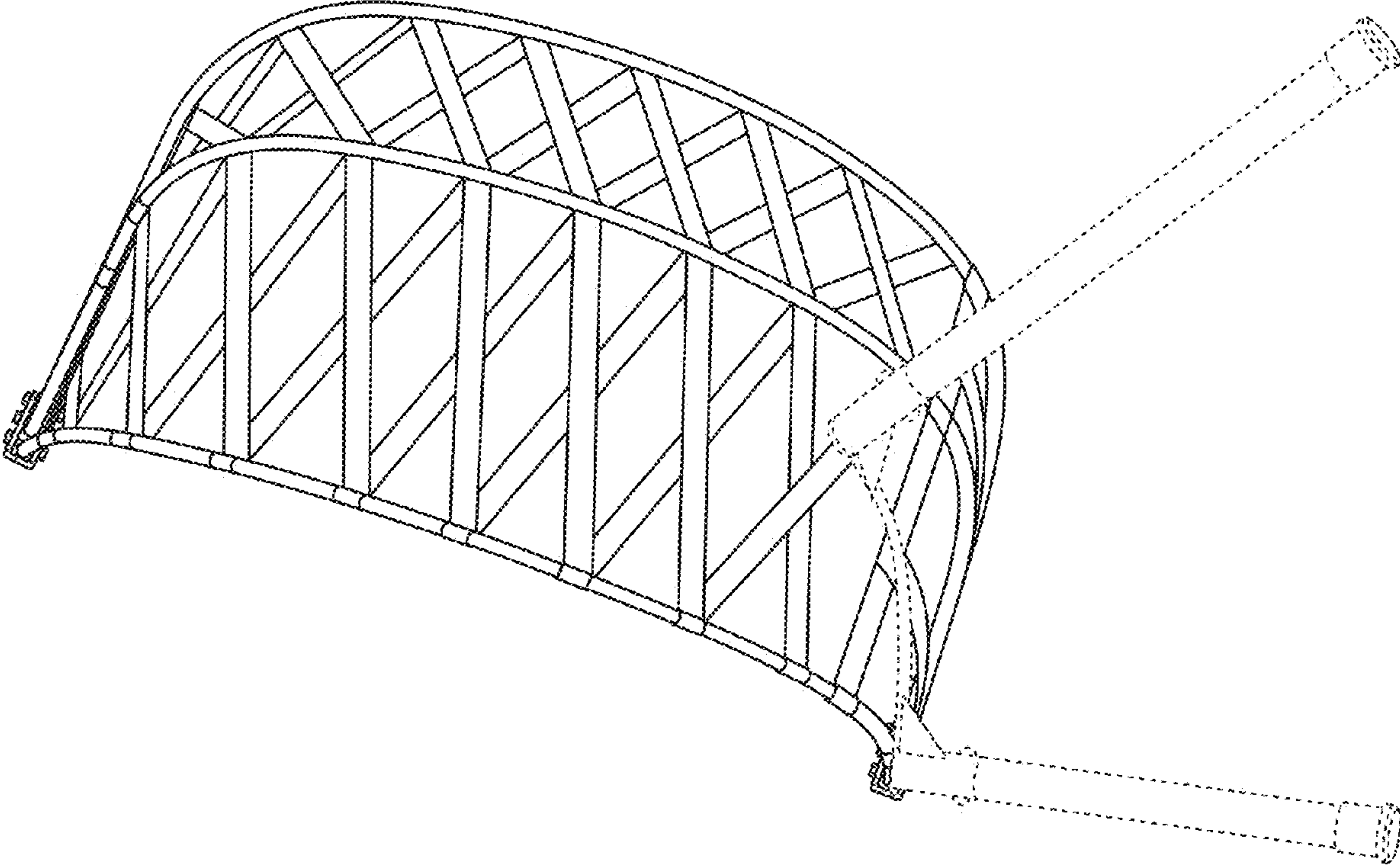


FIG. 10



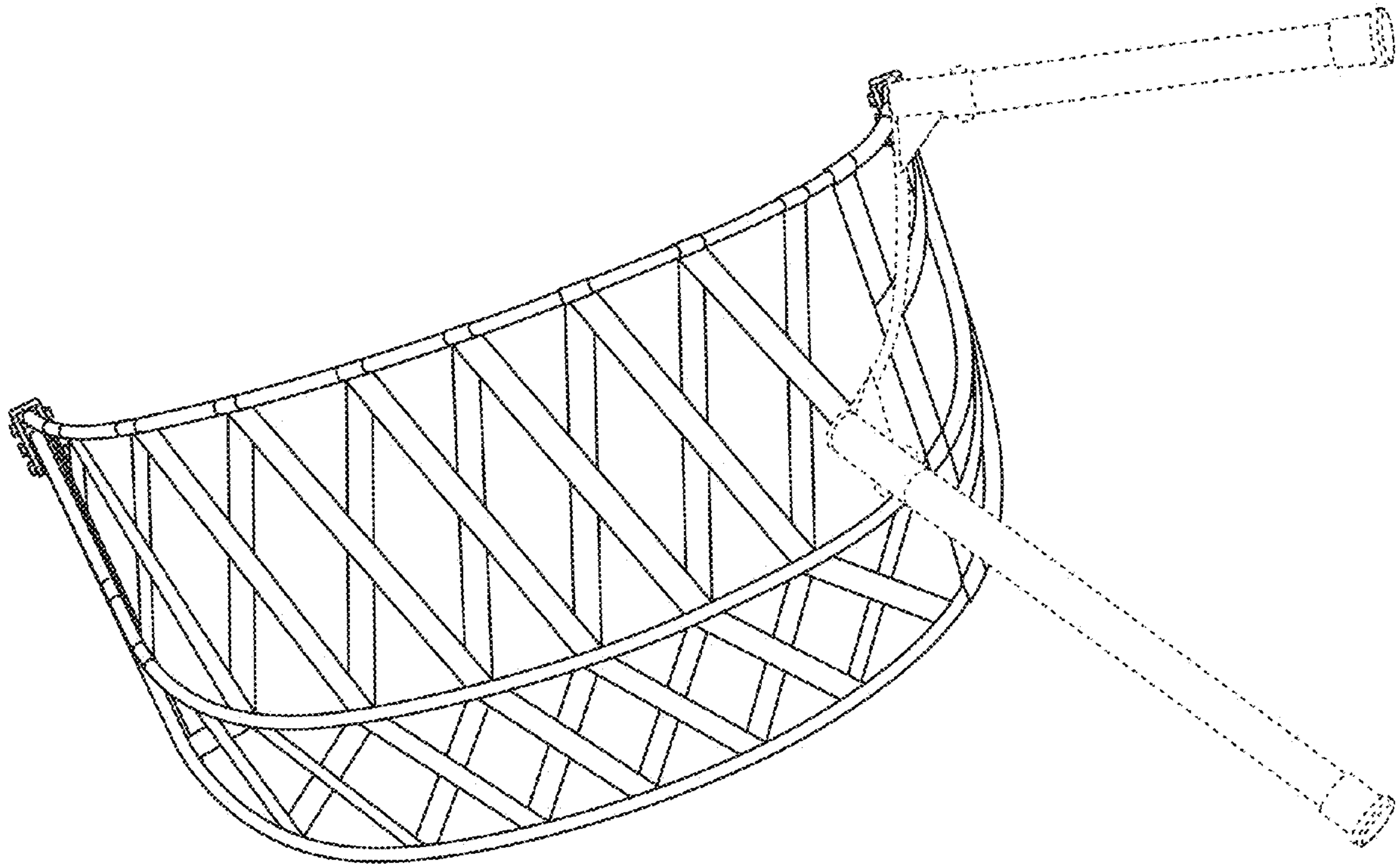


FIG. 11

FIG. 12

