



US00D938178S

(12) **United States Design Patent** (10) **Patent No.:** **US D938,178 S**
Feldman et al. (45) **Date of Patent:** **** Dec. 14, 2021**

- (54) **ARMCHAIR**
- (71) Applicant: **J&D Furniture LLC**, Great Neck, NY (US)
- (72) Inventors: **Janet Schwartz Feldman**, Great Neck, NY (US); **Derek Feldman**, Great Neck, NY (US); **Aviv Rottenberg**, Ramat Hasharon (IL); **David Yassaf**, Neve Yamin (IL); **Gilad Davidi**, Tel Aviv (IL); **Alex Padwa**, Tel Aviv (IL)
- (73) Assignee: **J&D Furniture LLC**, New York, NY (US)
- (**) Term: **15 Years**
- (21) Appl. No.: **29/674,300**
- (22) Filed: **Dec. 20, 2018**

D741,072 S *	10/2015	Fernandez	D6/335
D804,210 S *	12/2017	Borras Pons	D6/367
D840,168 S *	2/2019	Feldman	D6/367
D851,953 S *	6/2019	Shen	D6/367
D853,139 S *	7/2019	Shen	D6/367
D883,685 S *	5/2020	Carter	D6/336
D909,111 S *	2/2021	Jan	D6/716
D916,540 S *	4/2021	Konishi	D6/716

(Continued)

OTHER PUBLICATIONS

Homall Gaming Recliner Chair Racing Style Single Living, Dec. 5, 2018, Amazon.com, Jul. 16, 2021.URL: <https://www.amazon.com/dp/B07HJ69VXW> (Year: 2018).*

(Continued)

Primary Examiner — Jack Reickel
Assistant Examiner — Keith J Wilson
(74) *Attorney, Agent, or Firm* — Meister Seelig & Fein LLP; Seth H. Ostrow, Esq.

Related U.S. Application Data

- (62) Division of application No. 29/561,499, filed on Apr. 15, 2016, now Pat. No. Des. 840,168.
- (51) **LOC (13) Cl.** **06-01**
- (52) **U.S. Cl.**
USPC **D6/368**
- (58) **Field of Classification Search**
USPC D6/333-334, 360, 368, 375-376, 385, D6/716, 716.1
CPC A47C 3/04; A47C 4/02; A47C 4/03; A47C 3/12; A47C 5/04; A47C 5/06; A47C 7/16; A47D 11/00
See application file for complete search history.

(57) **CLAIM**

The ornamental design for the armchair, as shown and described.

DESCRIPTION

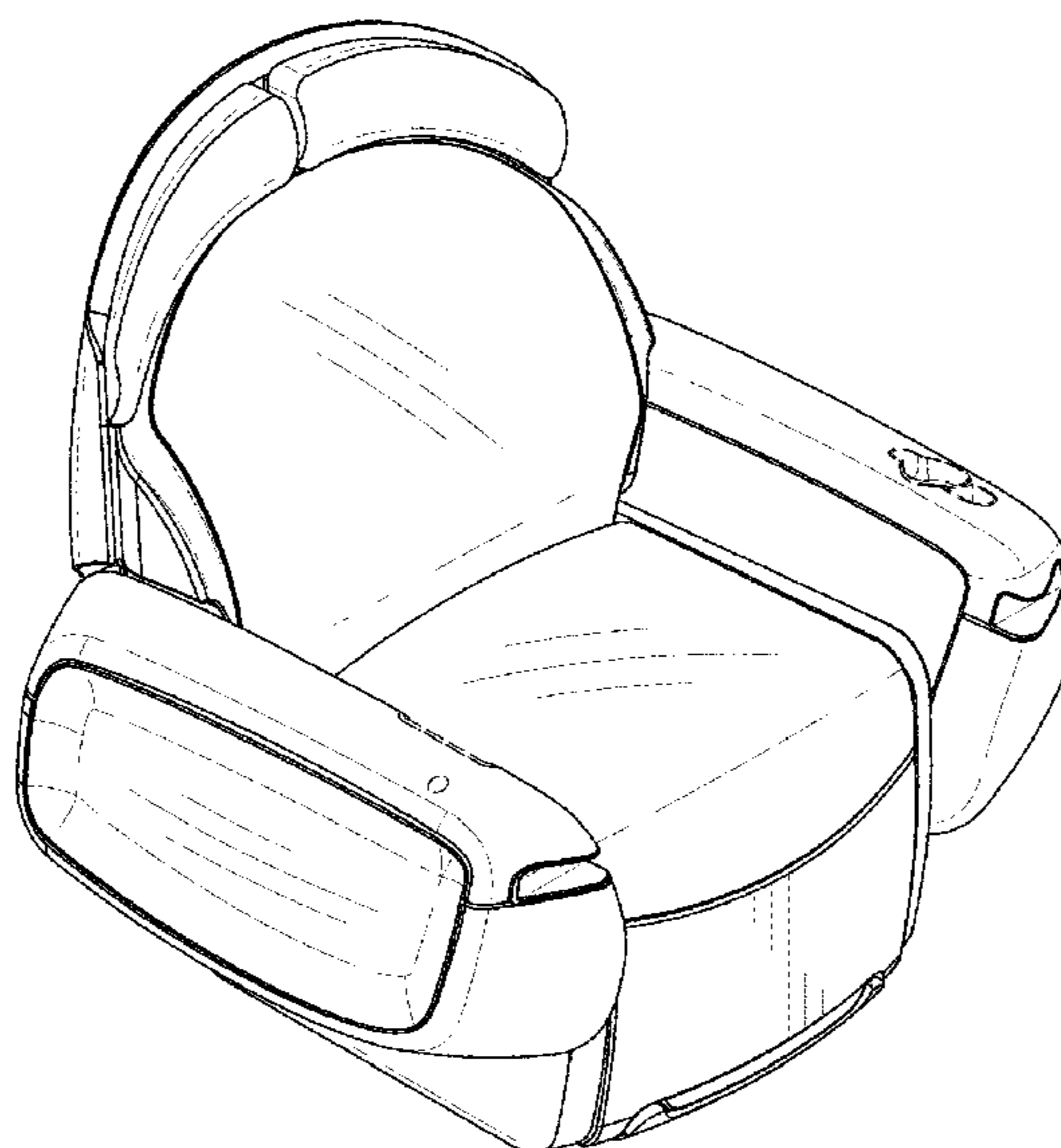
FIG. 1 is a perspective view of the left, top, and front sides of the armchair;
FIG. 2 is a top view thereof;
FIG. 3 is a bottom view thereof;
FIG. 4 is a left side view thereof;
FIG. 5 is a right side view thereof;
FIG. 6 is a front view thereof;
FIG. 7 is a back view thereof; and,
FIG. 8 is a perspective view of the left, top, and front sides of the armchair in a reclined position according to our new design.
The broken lines shown in the drawings represent portions of the armchair that form no part of the claimed design.

(56) **References Cited**

U.S. PATENT DOCUMENTS

D442,375 S *	5/2001	Stammberger	D6/335
D541,064 S *	4/2007	Miller	D6/367
D716,564 S *	11/2014	Dix	D6/334

1 Claim, 8 Drawing Sheets



(56)

References Cited

U.S. PATENT DOCUMENTS

D917,185 S	*	4/2021	Reid	D6/334
D917,216 S	*	4/2021	Kubryk	D6/716
D917,947 S	*	5/2021	Tang	D6/716
D918,634 S	*	5/2021	Peng	D6/716.1
D920,700 S	*	6/2021	Borras Pons	D6/368
D921,409 S	*	6/2021	Deevers	D6/716
D923,380 S	*	6/2021	Welling	D6/716
D925,240 S	*	7/2021	Imrich	D6/333

OTHER PUBLICATIONS

Flash Furniture Contemporary Brown LeatherSoft Kids Recliner, 12/8/2021, Amazon.com, Jul. 16, 2021. URL: <https://www.amazon.com/Flash-Furniture-Contemporary-Recliner-Headrest/dp/B006JYMCKW> (Year: 2011).*

Homcom Electric Power PU Leather Massage Recliner Chair w/ 8-Point Vibration Waist Heating, May 26, 2021, Amazon.com, Sep. 7, 2021. URL: <https://www.amazon.com/HOMCOM-Electric-Leather-Recliner-Vibration/dp/B095KBY7ZH> (Year: 2021).*

Jummico Recliner Chair Massage and Heating Living Room Chair, Aug. 4, 2020, Amazon.com, Sep. 7, 2021. URL: https://www.amazon.com/dp/B08F7JXWHY/ref=sbl_dp_B095KBY7ZH_0?th=1 (Year: 2020).*

Bossin Gaming Recliner Chair Racing Style Single Recliner Living, Nov. 29, 2019, Amazon.com, Sep. 7, 2021 <https://www.amazon.com/dp/B08P5V8Y6Z> (Year: 2019).*

* cited by examiner

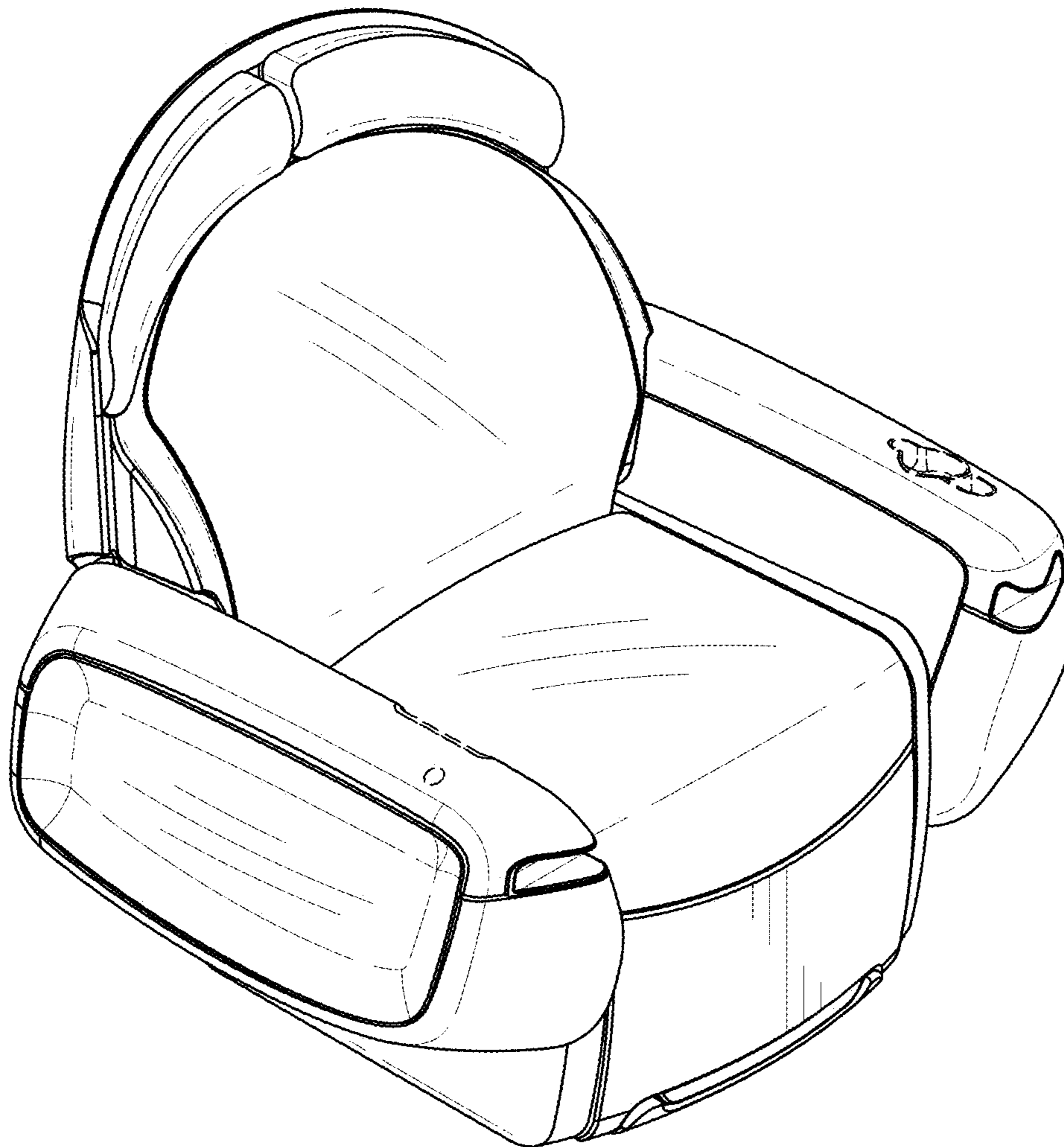


Fig. 1

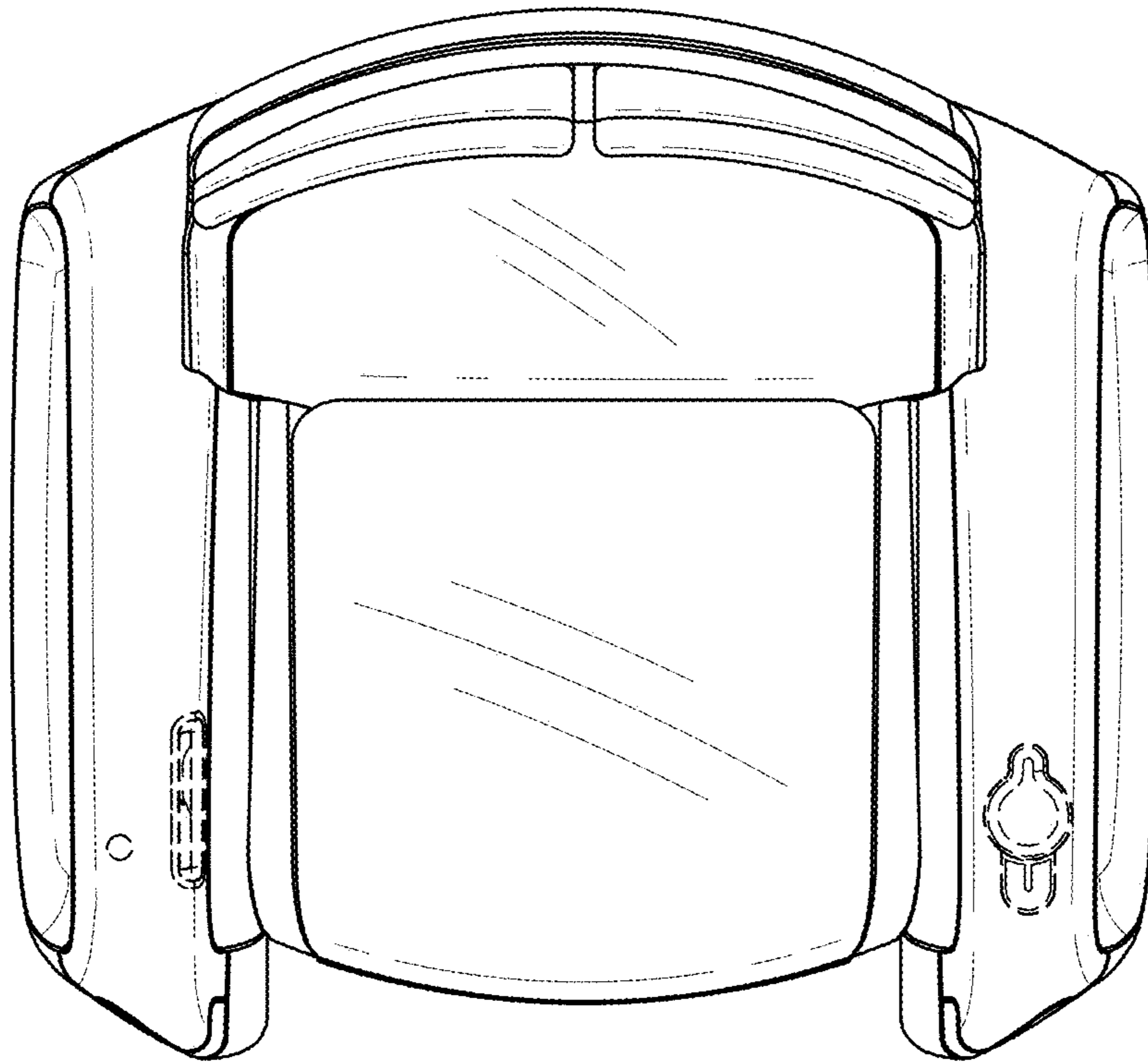


Fig. 2

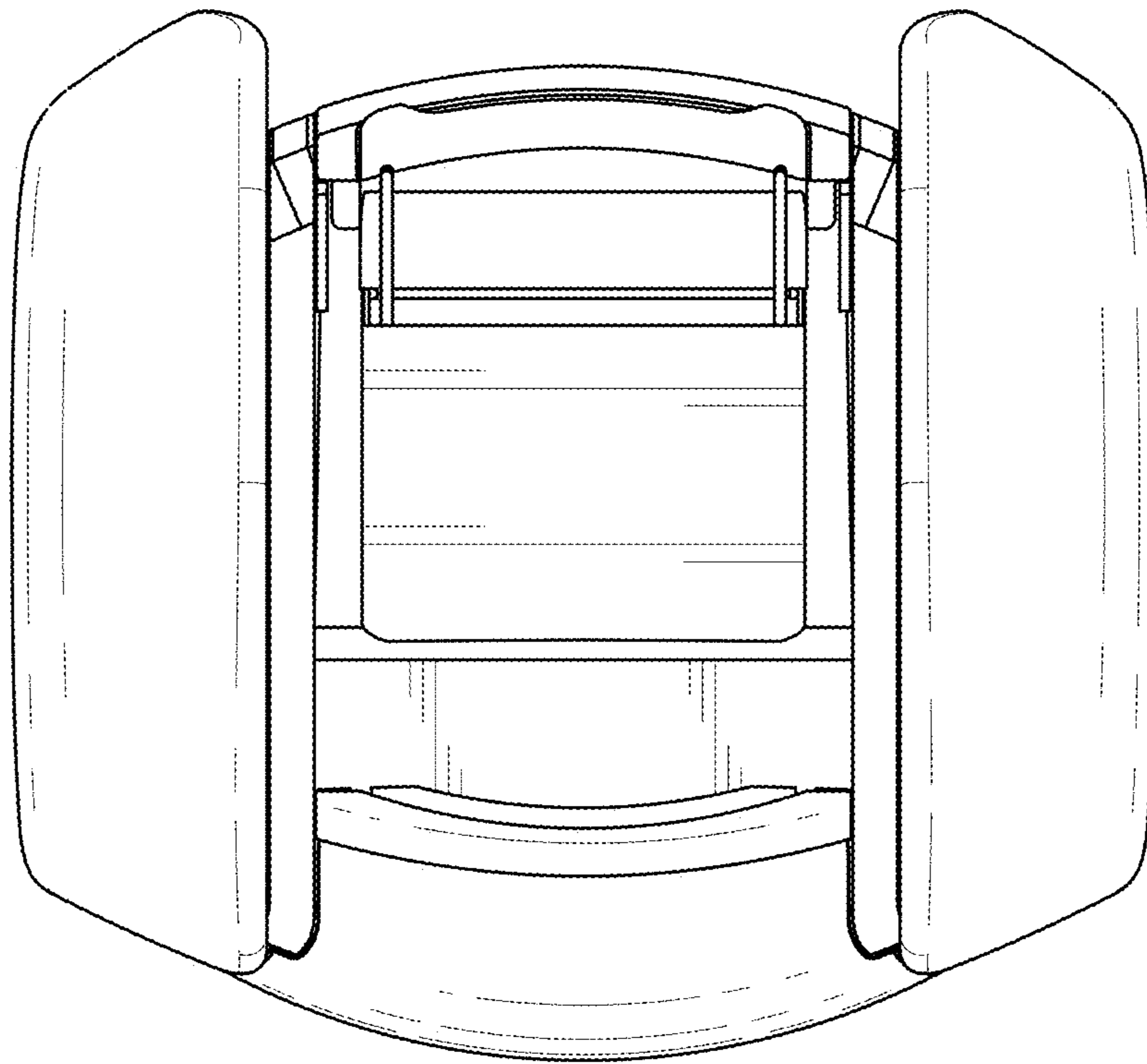


Fig. 3

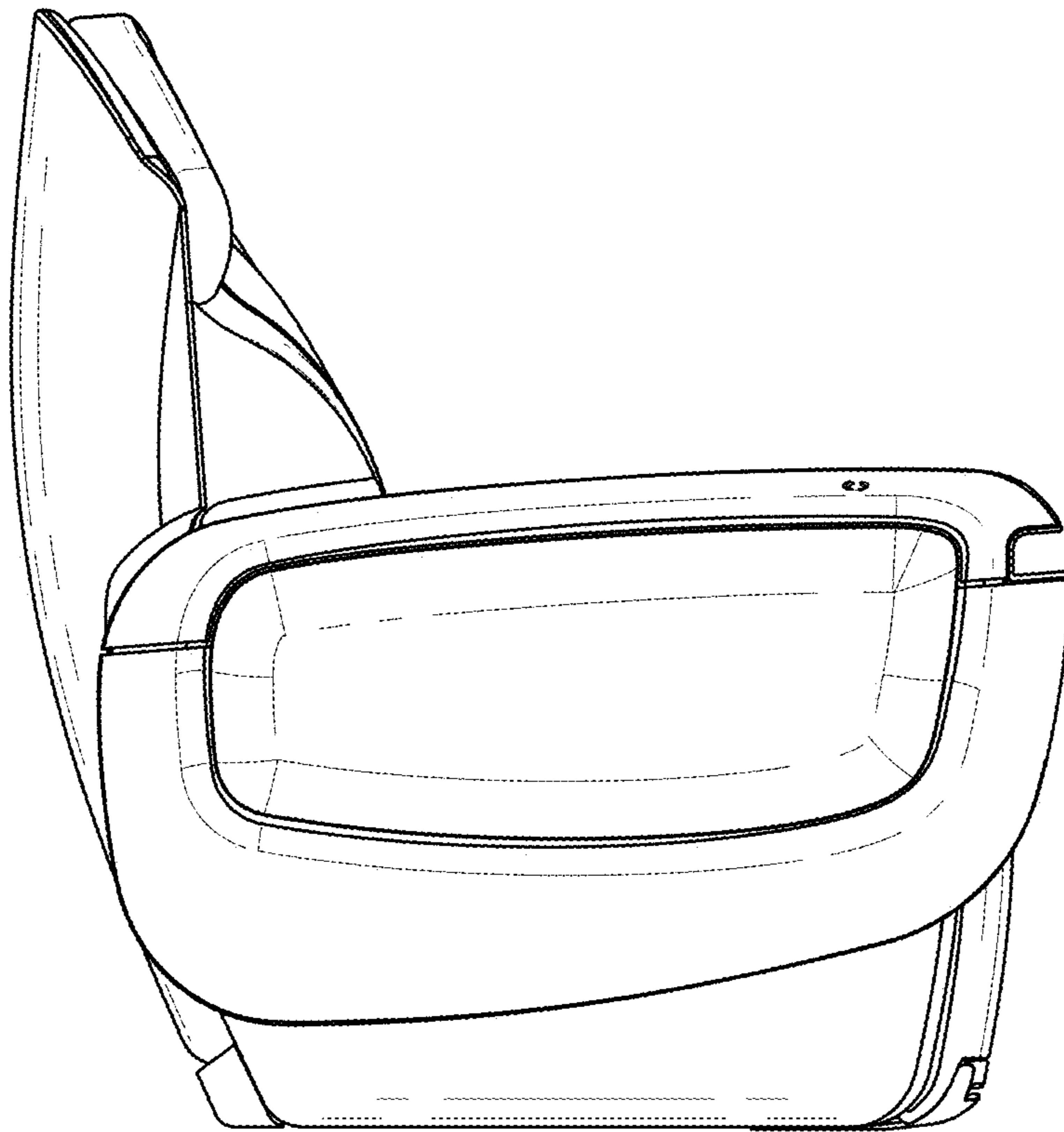


Fig. 4

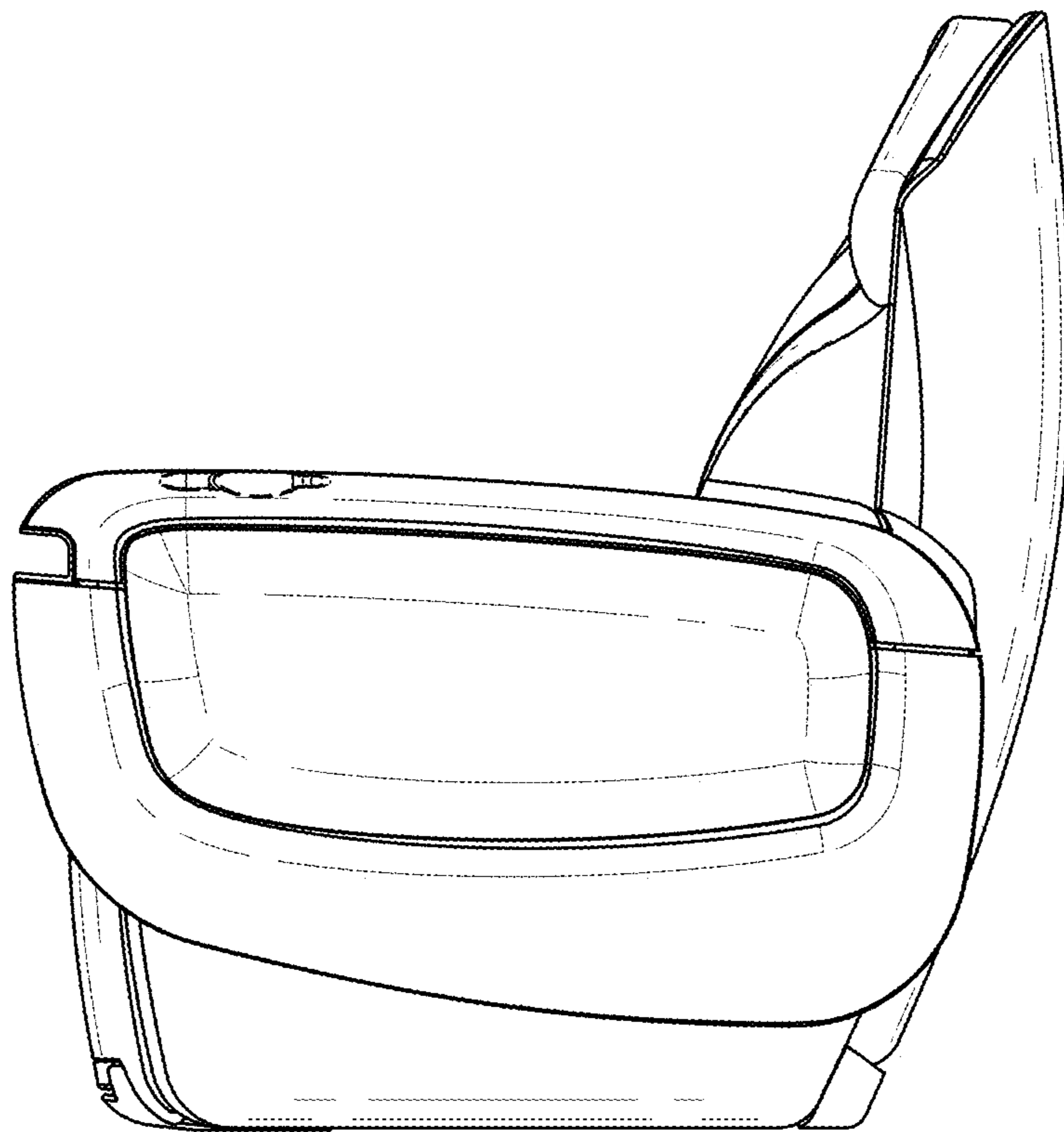


Fig. 5

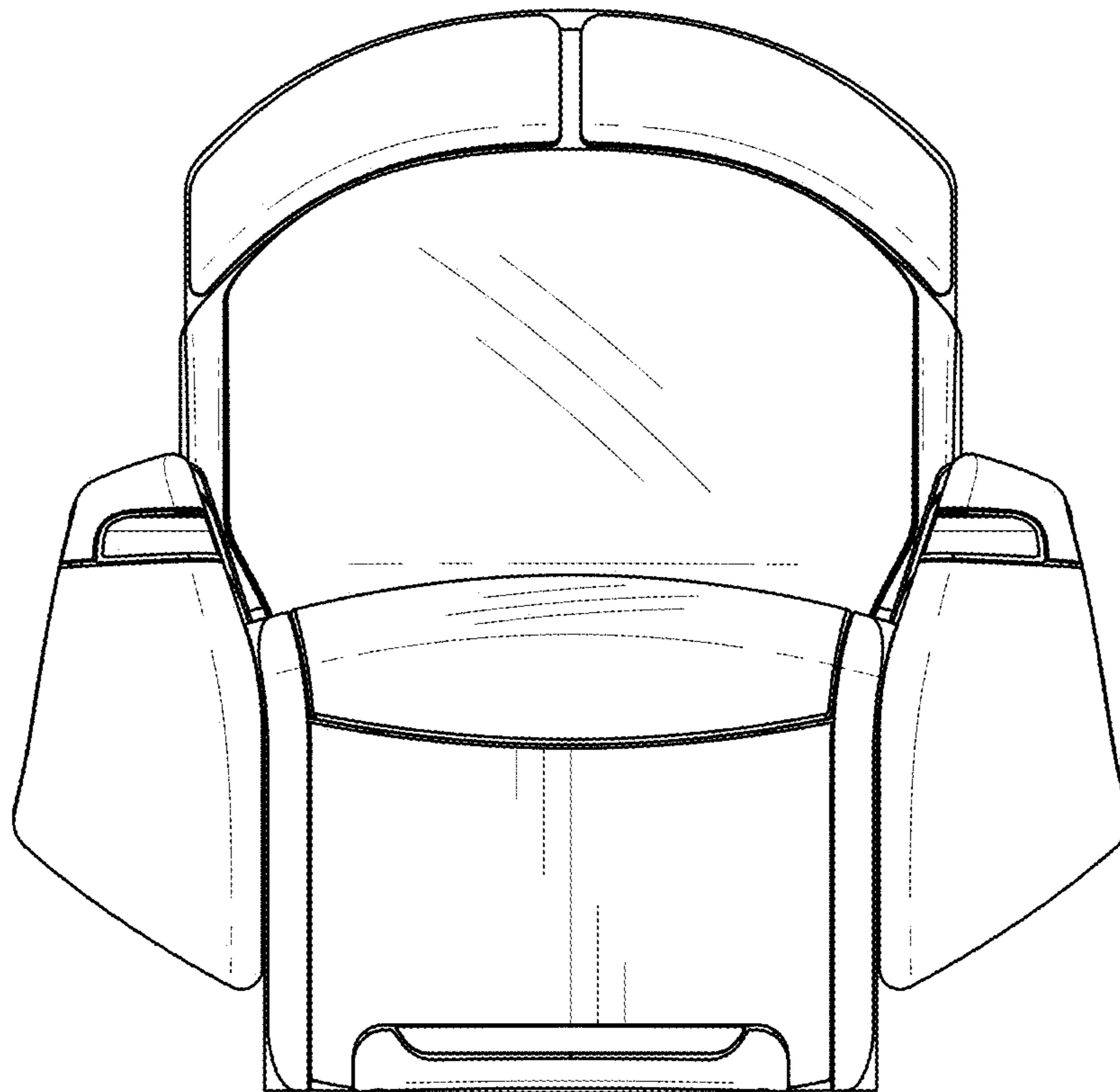


Fig. 6

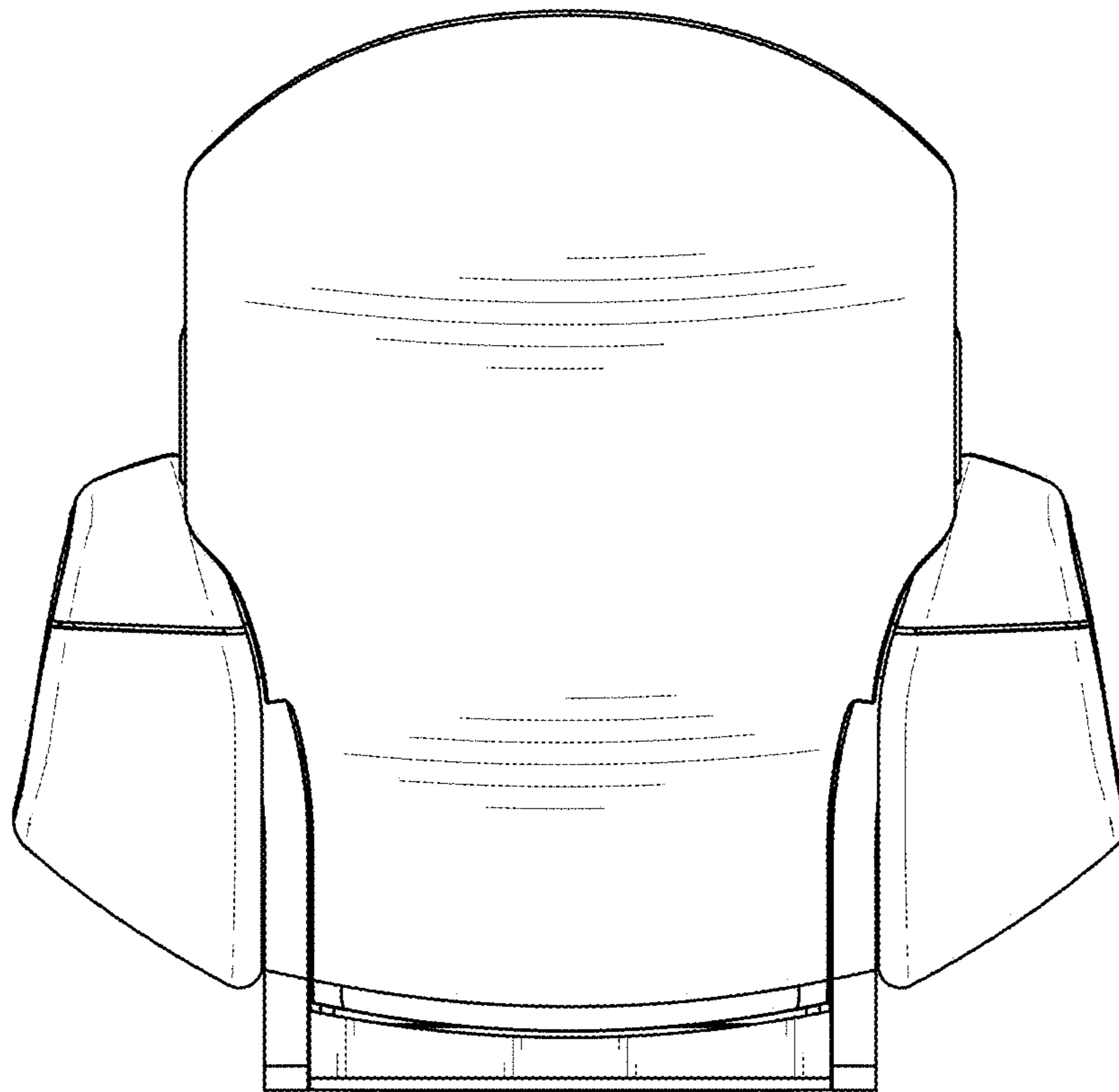


Fig. 7



Fig. 8