



US00D938175S

(12) **United States Design Patent** (10) **Patent No.:** **US D938,175 S**  
**Wu** (45) **Date of Patent:** **\*\* Dec. 14, 2021**

(54) **FRONT SEATS OF AUTOMOBILE**

(56) **References Cited**

(71) Applicant: **Tianjin ICONIQ New Energy Vehicle Co., Ltd.**, Tianjin (CN)

U.S. PATENT DOCUMENTS

(72) Inventor: **Nan Wu**, Tianjin (CN)

D138,511 S \* 8/1944 Dreyfuss ..... D6/356  
D140,502 S \* 3/1945 Forster ..... D6/356  
D257,918 S \* 1/1981 Reida ..... D6/356  
5,195,709 A \* 3/1993 Yasushi ..... B64D 11/0646  
297/217.3

(73) Assignee: **Tianjin ICONIQ New Energy Vehicle Co., Ltd.**, Tianjin (CN)

FOREIGN PATENT DOCUMENTS

(\*\*) Term: **15 Years**

WO WO-2010086822 A1 \* 8/2010 ..... B60N 2/20

(21) Appl. No.: **29/712,132**

\* cited by examiner

(22) Filed: **Nov. 5, 2019**

*Primary Examiner* — Mimoso De

(30) **Foreign Application Priority Data**

(74) *Attorney, Agent, or Firm* — Kacvinsky Daisak Bluni PLLC

May 5, 2019 (CN) ..... 201930213590.X

(57) **CLAIM**

(51) **LOC (13) Cl.** ..... **06-01**

The ornamental design for front seats of automobile, as shown and described.

(52) **U.S. Cl.**

**DESCRIPTION**

USPC ..... **D6/356**

(58) **Field of Classification Search**

USPC ..... D6/334–336, 356, 364, 367, 368, 374, D6/380, 381, 716, 716.1, 716.4, 716.5

CPC ..... B60N 2/00; B60N 2/20; B60N 2/2222; B60N 2/64; B60N 2/643; B60N 2/58; B60N 2/646; B60N 2/68; B60N 2/682; B60N 2/686; B60N 2/80; B60N 2/803; B60N 2/02; B60N 2/01; B60N 2/012; B60N 2/206; B60N 2/0292; B60N 2/24; B60N 2/242

FIG. 1 is a front view of the design for front seats of automobile;

FIG. 2 is a rear view thereof;

FIG. 3 is a left view thereof;

FIG. 4 is a right view thereof;

FIG. 5 is a top view thereof;

FIG. 6 is a bottom view thereof;

FIG. 7 is a perspective view thereof; and,

FIG. 8 is another perspective view thereof.

See application file for complete search history.

**1 Claim, 4 Drawing Sheets**

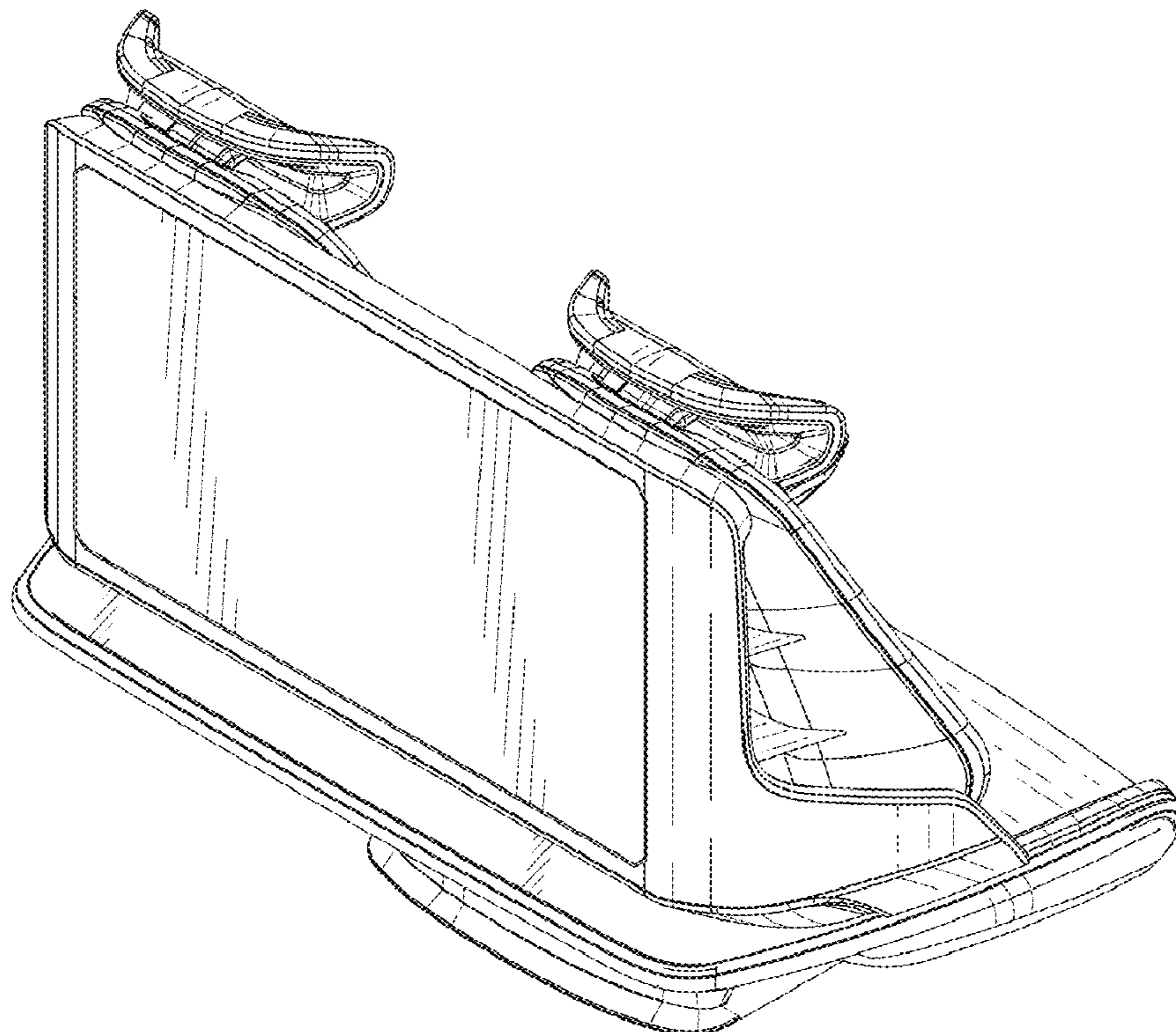


FIG. 1

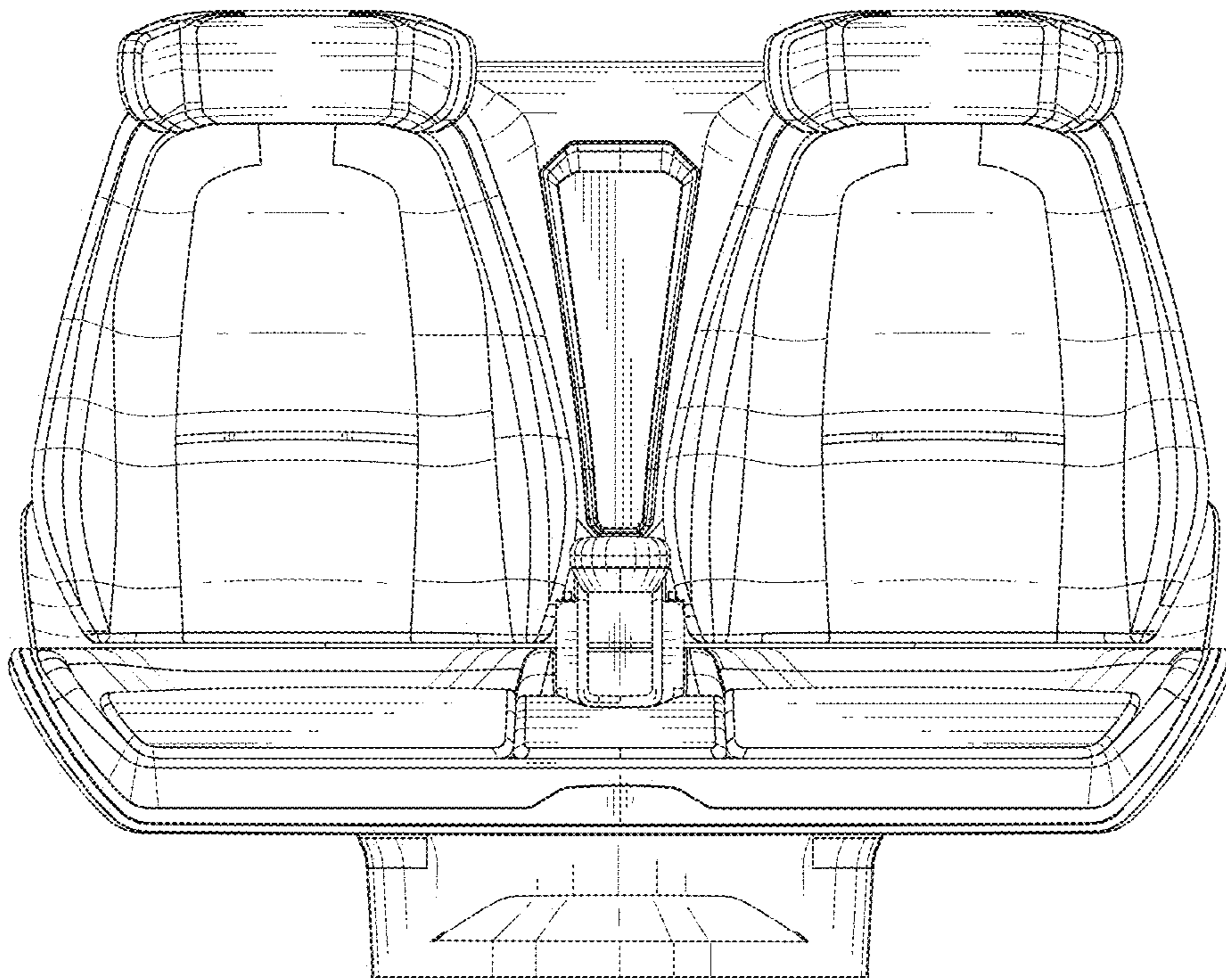


FIG. 2

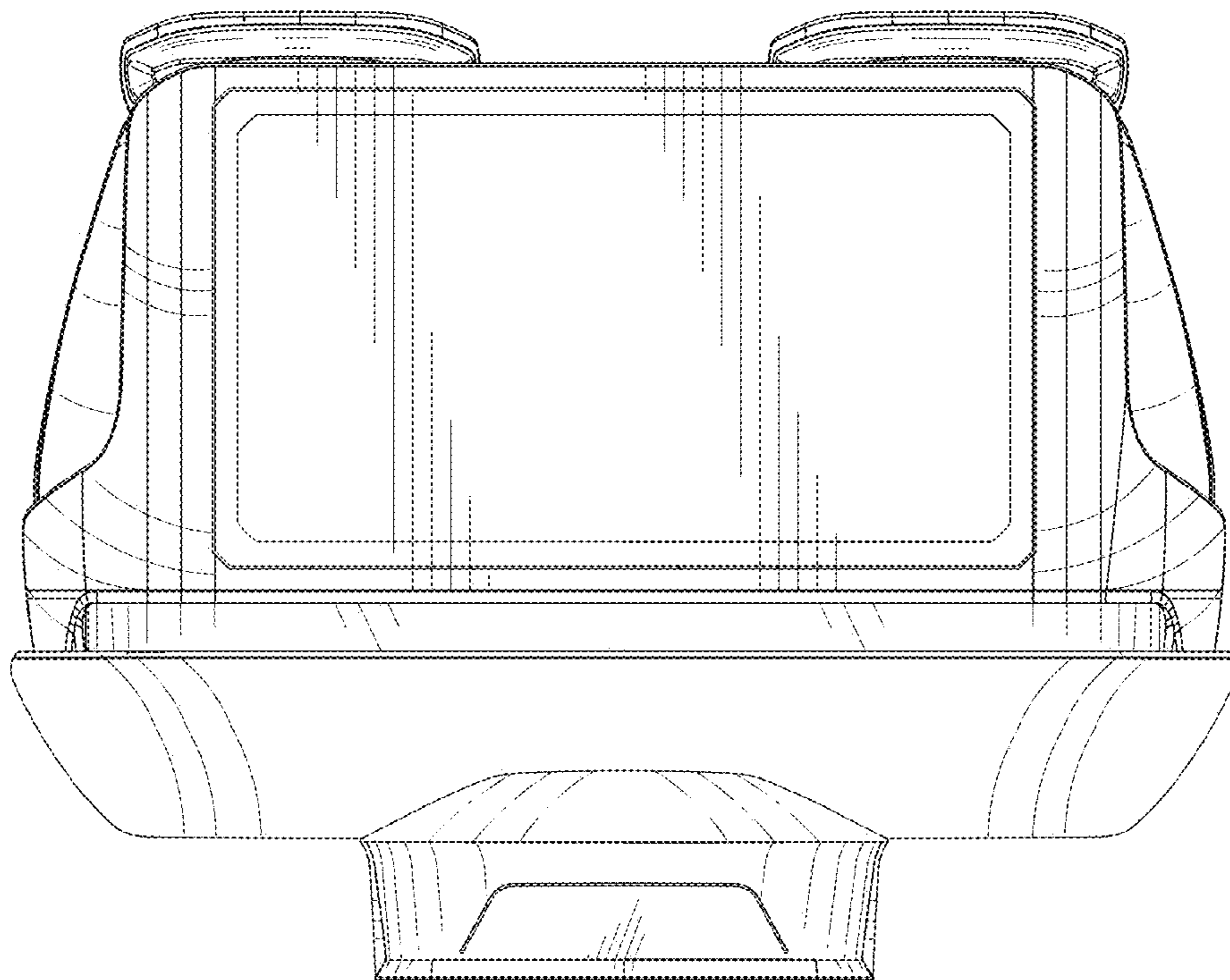


FIG. 3

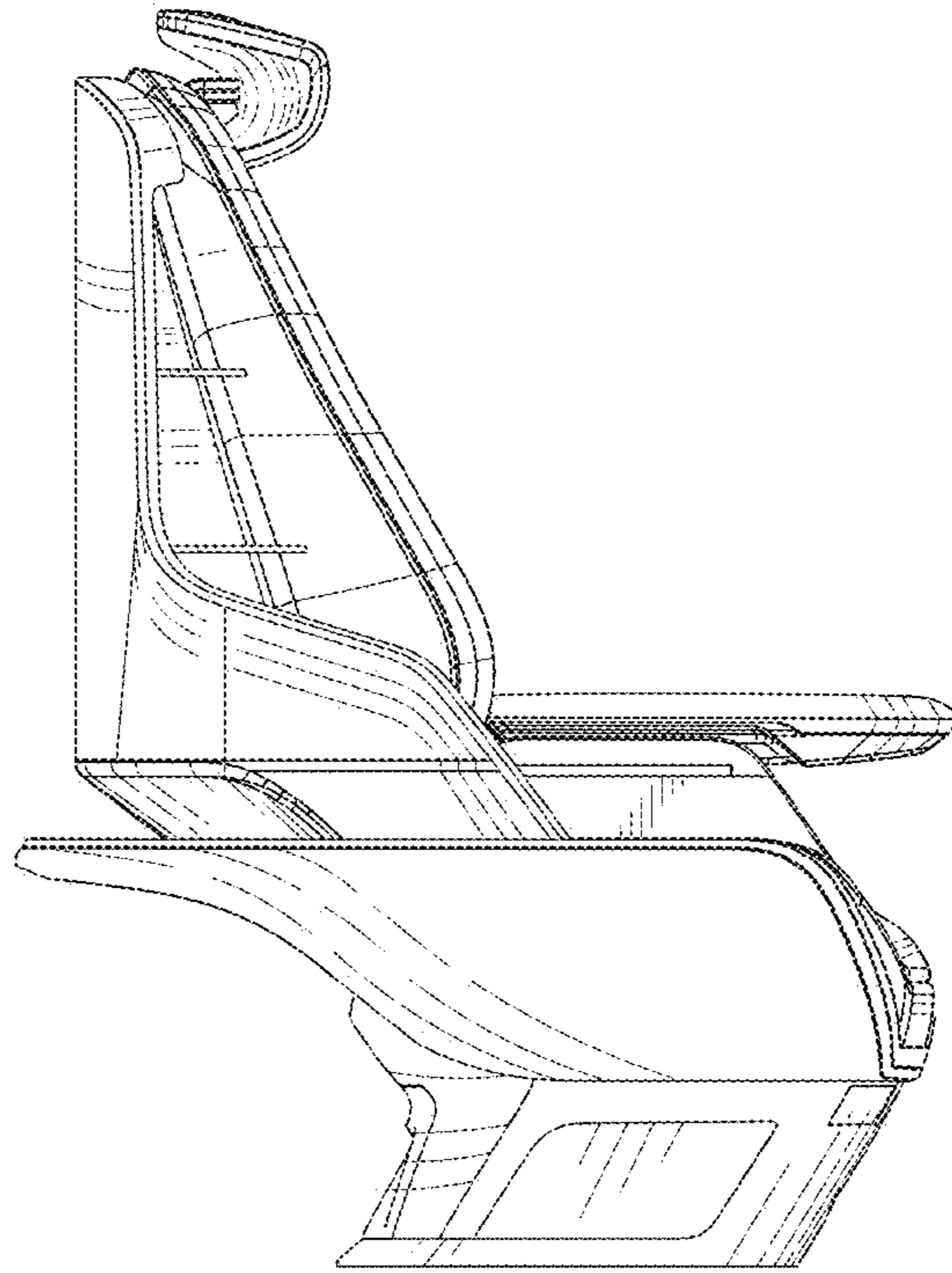


FIG. 4

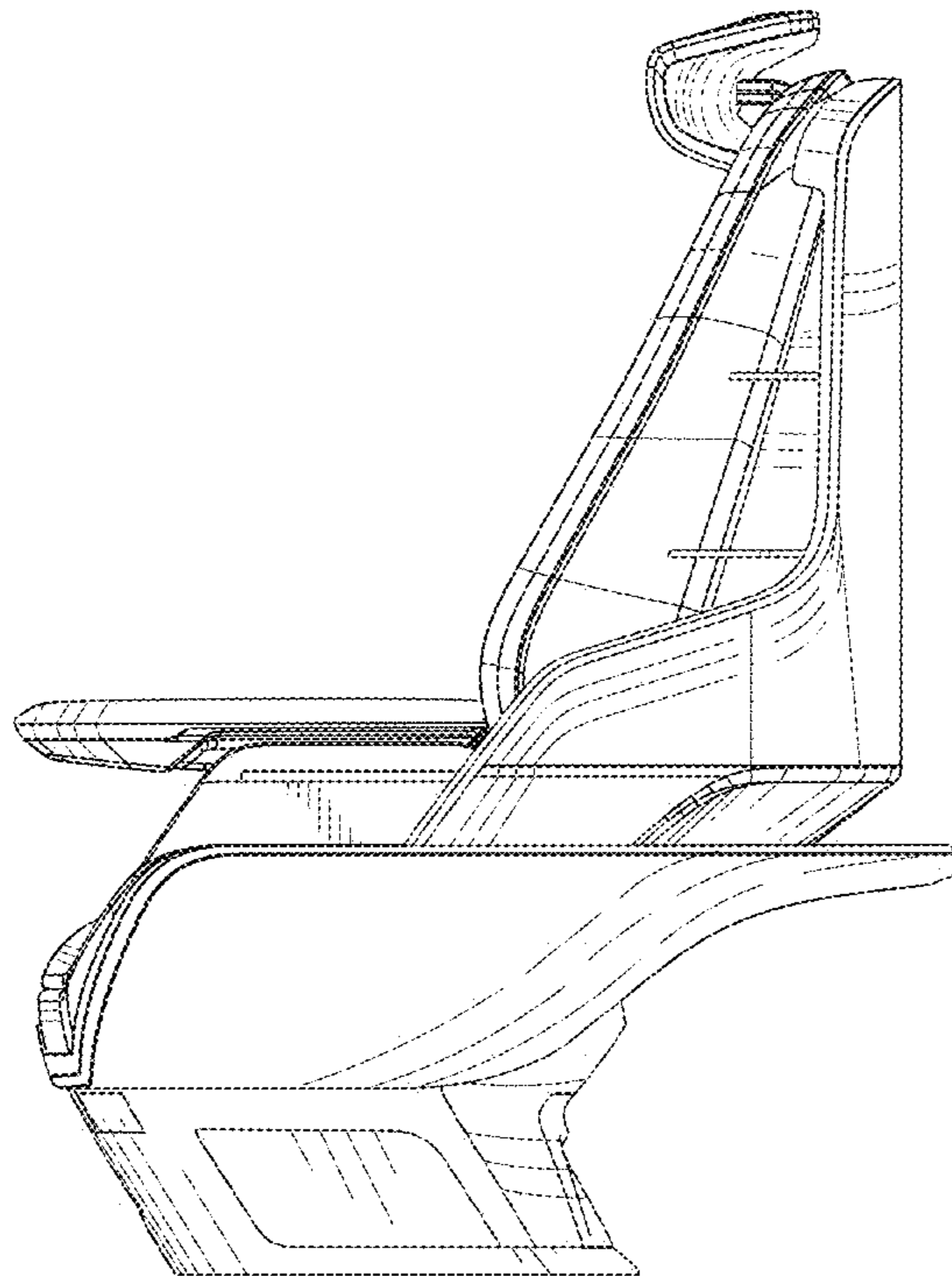


FIG. 5

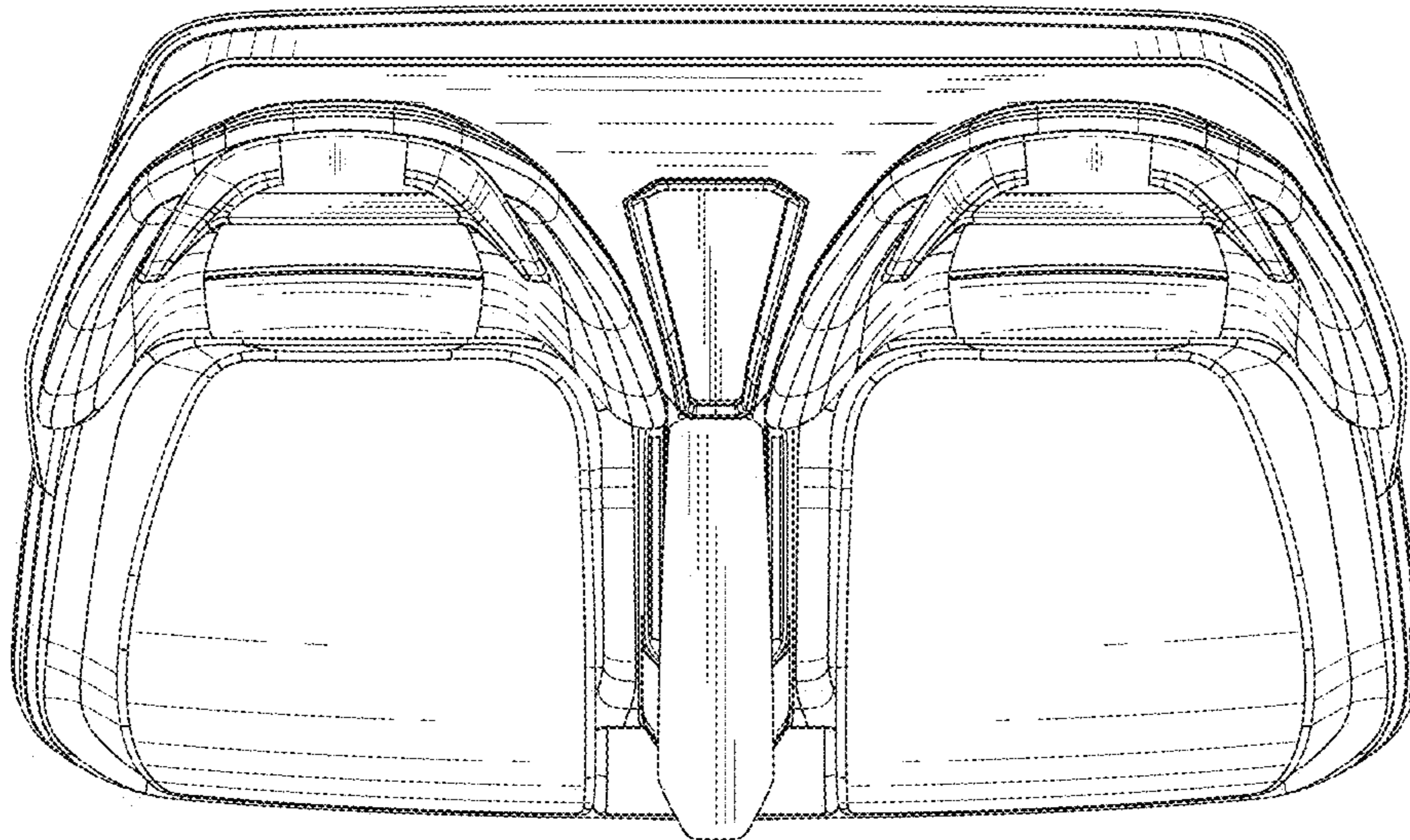


FIG. 6

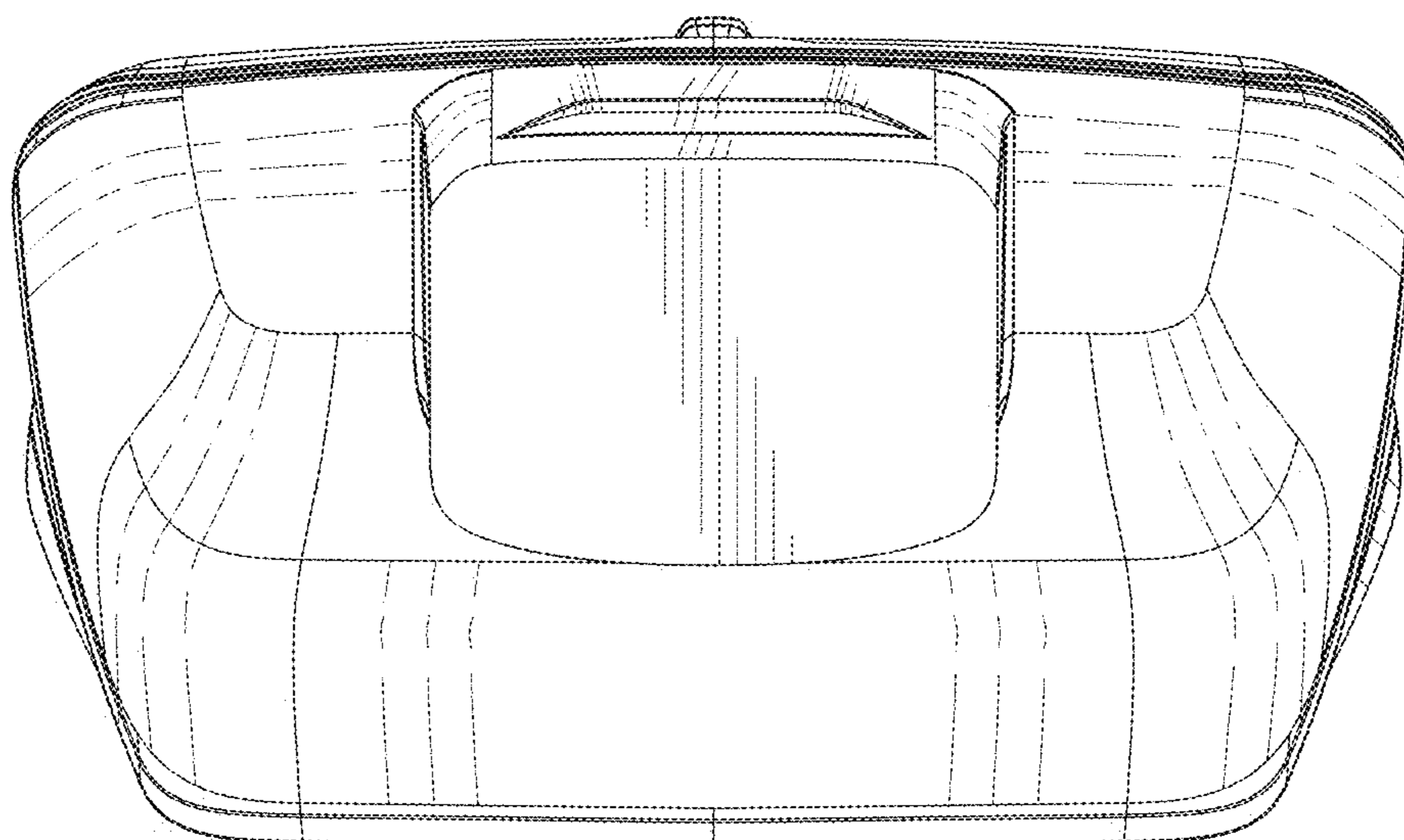


FIG. 7

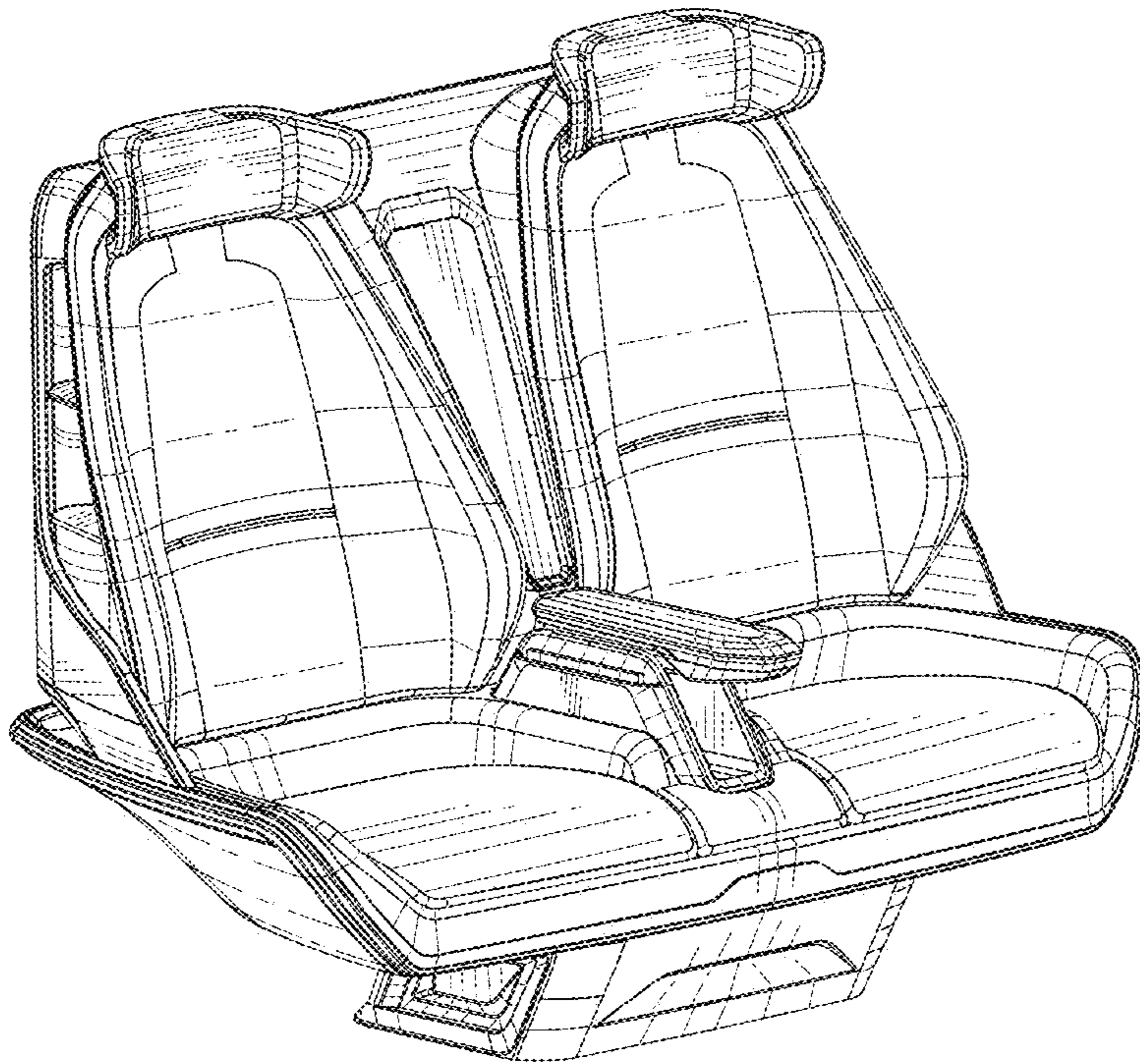


FIG. 8

