



US00D938171S

(12) **United States Design Patent**
Duan

(10) **Patent No.:** **US D938,171 S**

(45) **Date of Patent:** **** Dec. 14, 2021**

(54) **CHILD CAR SEAT**

A47C 3/20; A47C 1/00; A47C 1/02;
A47C 1/04; A47C 1/06

(71) Applicant: **Wonderland Switzerland AG,**
Steinhausen (CH)

See application file for complete search history.

(72) Inventor: **Xiaosong Duan,** Guangdong (CN)

(56) **References Cited**

(73) Assignee: **WONDERLAND SWITZERLAND**
AG, Steinhausen (CH)

U.S. PATENT DOCUMENTS

(**) Term: **15 Years**

D632,100	S	*	2/2011	Cymbalski	D6/333
D653,463	S	*	2/2012	Hartenstine	D6/333
D655,925	S	*	3/2012	Hartenstine	D6/333
D837,537	S	*	1/2019	Huntley	D6/333
D841,346	S	*	2/2019	Huntley	D6/333

(21) Appl. No.: **29/742,292**

* cited by examiner

(22) Filed: **Aug. 5, 2020**

Primary Examiner — Abraham Bahta

(30) **Foreign Application Priority Data**

(74) *Attorney, Agent, or Firm* — Bacon & Thomas, PLLC

Feb. 12, 2020 (CN) 202030049892.0

(51) **LOC (13) Cl.** **06-01**

(52) **U.S. Cl.**
USPC **D6/333**

(58) **Field of Classification Search**
USPC D6/333–336, 338–339, 491, 716,
D6/716.1–716.7; D12/129; D21/412,
D21/419; 280/30–31; 5/94, 98.1, 99.1,
5/101, 105, 655; 297/183.1–183.4,
297/184.13, 184.15, 184.17, 250.1, 256.1,
297/255, 256.15, 256.16, 174 R, 174 CS,
297/170–173, 136, 148, 27, 61, 68;
4/572.1

CPC A47D 13/02; A47D 13/10; A47D 1/00;
A47D 1/002; A47D 1/004; B60N 2/22;
B60N 2/24; A47C 7/021; A47C 7/022;
A47C 7/002; A47C 7/18; A47C 7/24;
A47C 3/00; A47C 3/02; A47C 3/025;

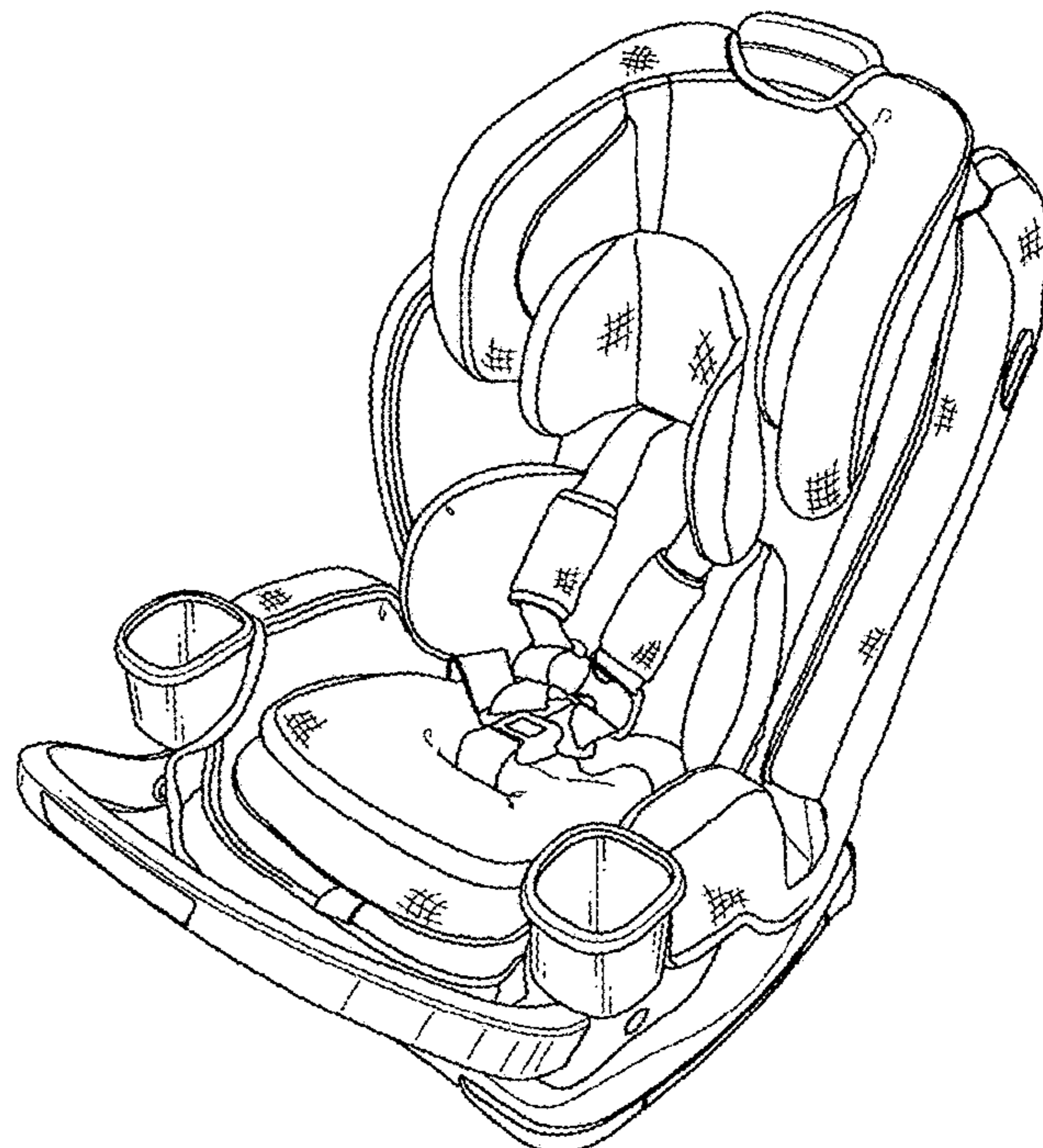
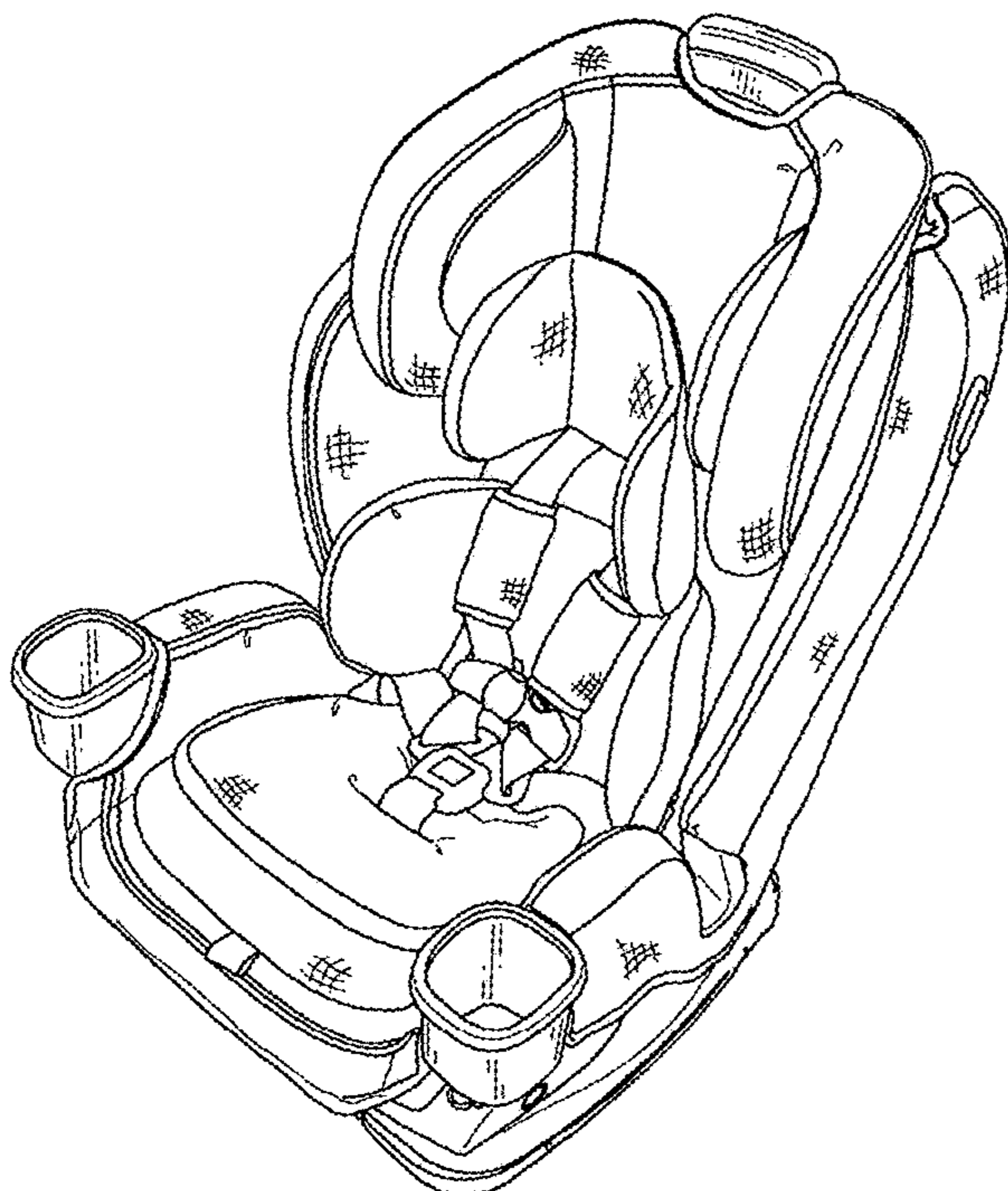
(57) **CLAIM**

The ornamental design for a child car seat, as shown and described.

DESCRIPTION

FIG. 1 is a perspective view of a child car seat in accordance with an embodiment of my new design;
FIG. 2 is a front view of FIG. 1;
FIG. 3 is a rear view of FIG. 1;
FIG. 4 is a left side view of FIG. 1;
FIG. 5 is a right side view of FIG. 1;
FIG. 6 is a top view of FIG. 1;
FIG. 7 is a bottom view of FIG. 1; and,
FIG. 8 is a perspective view showing the child car seat shown in FIG. 1 in use.

1 Claim, 5 Drawing Sheets



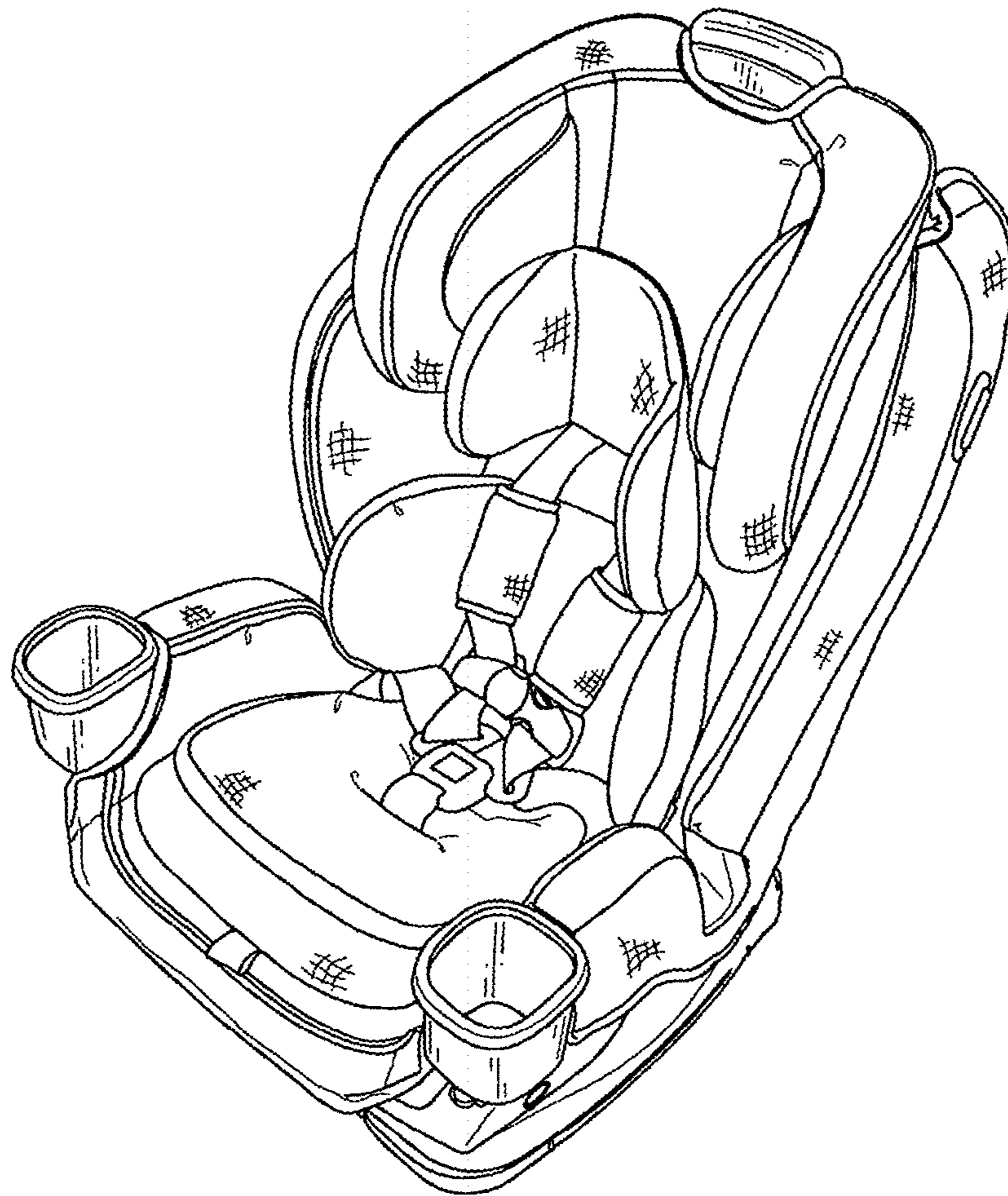


FIG. 1

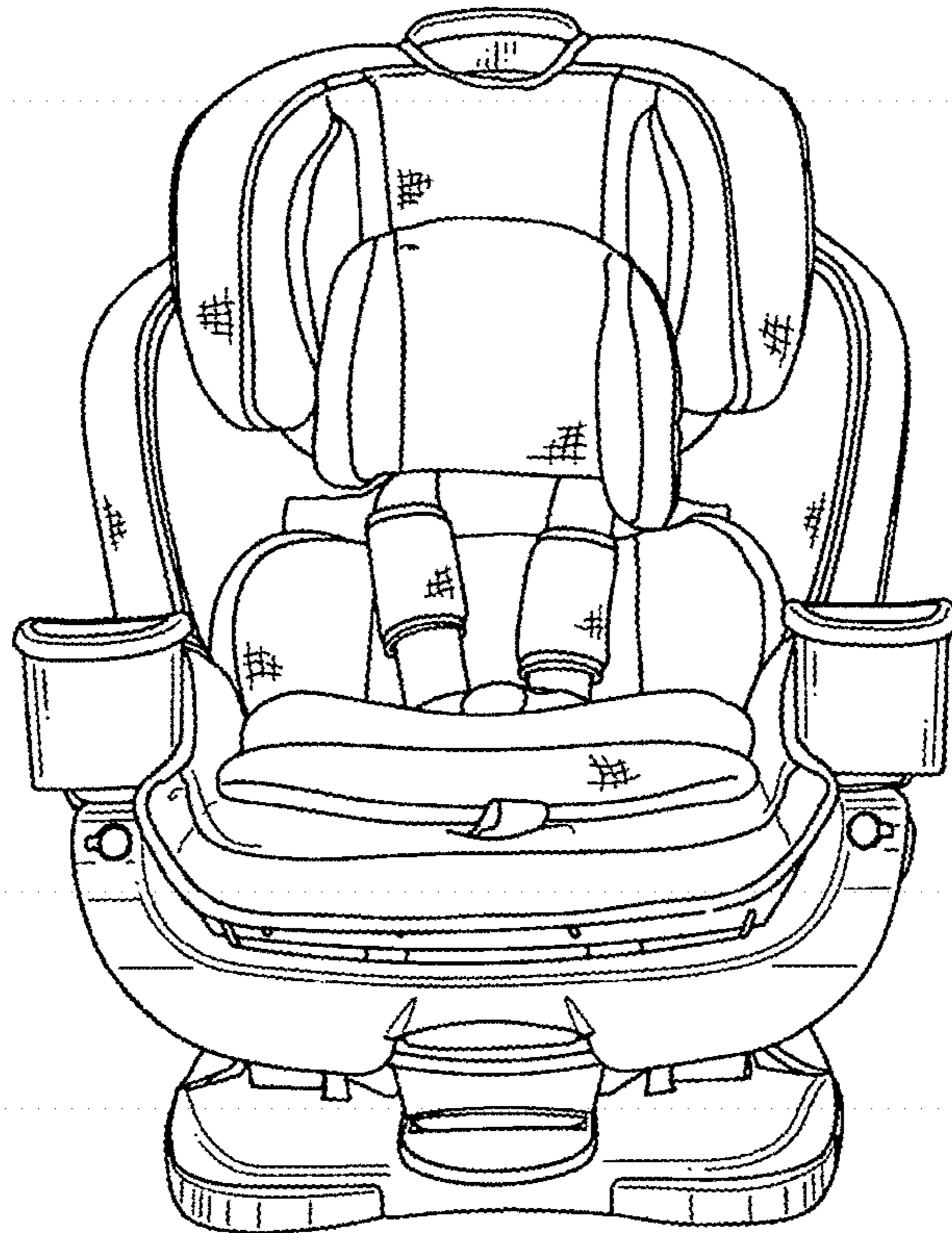


FIG. 2

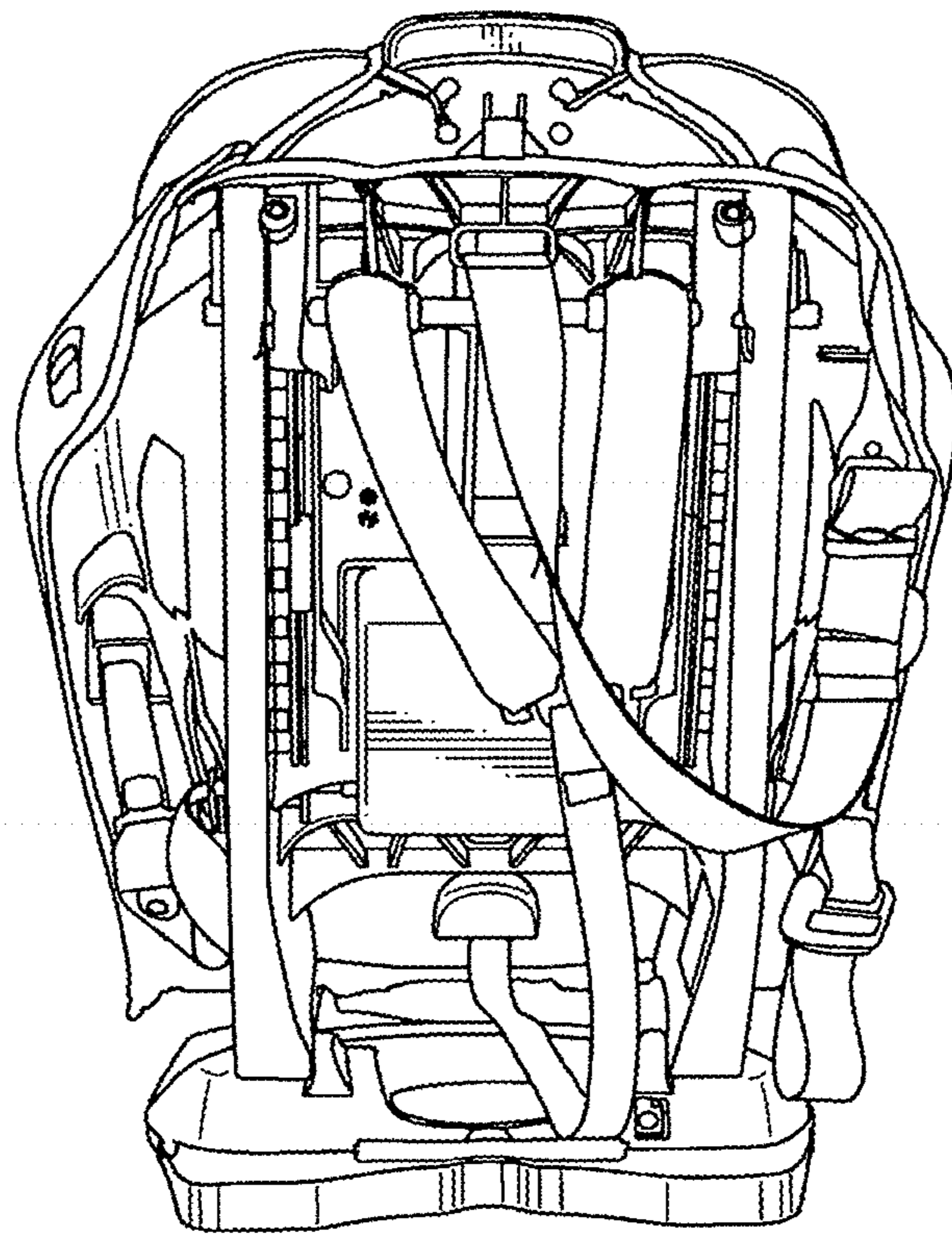


FIG. 3

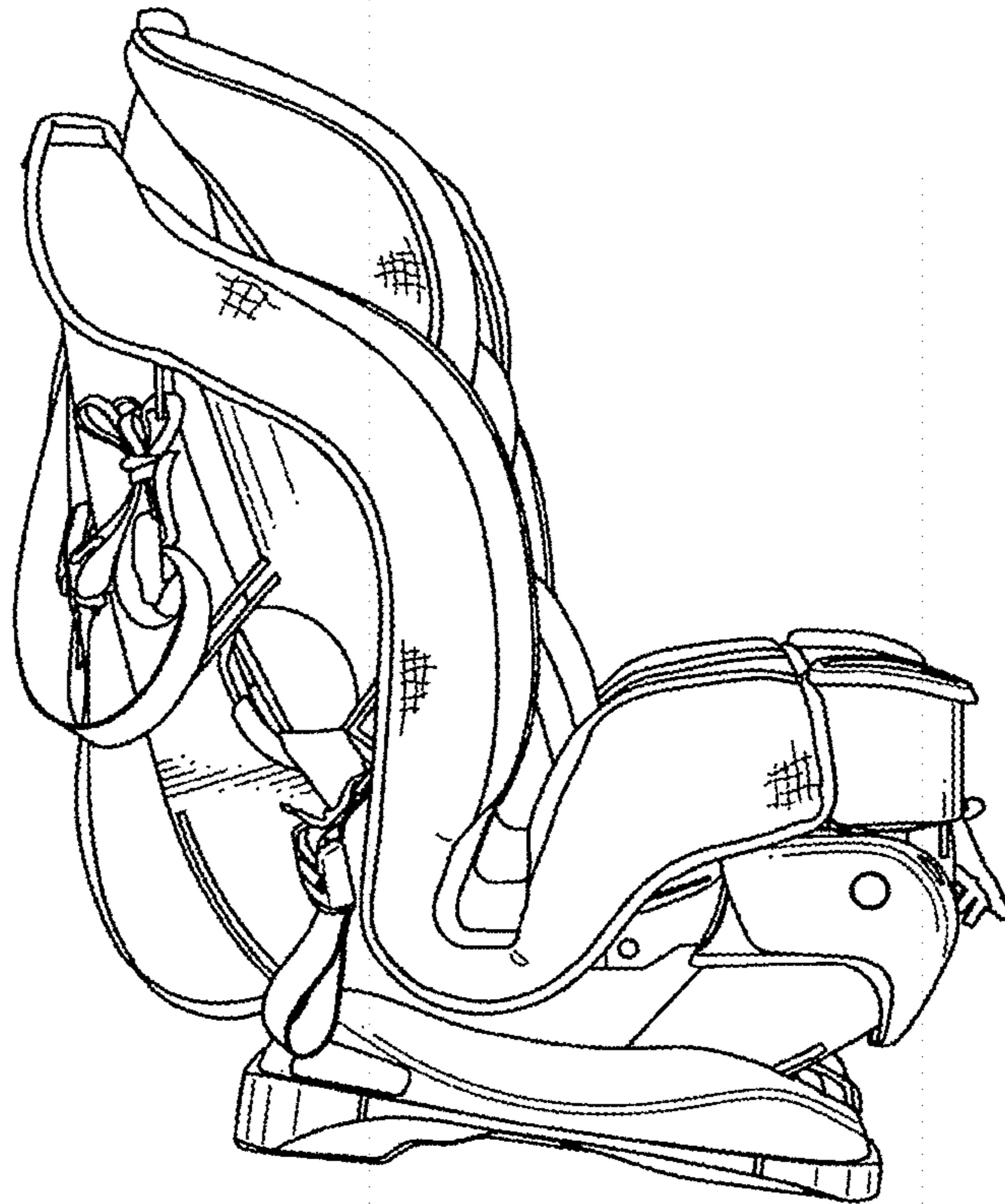


FIG. 4

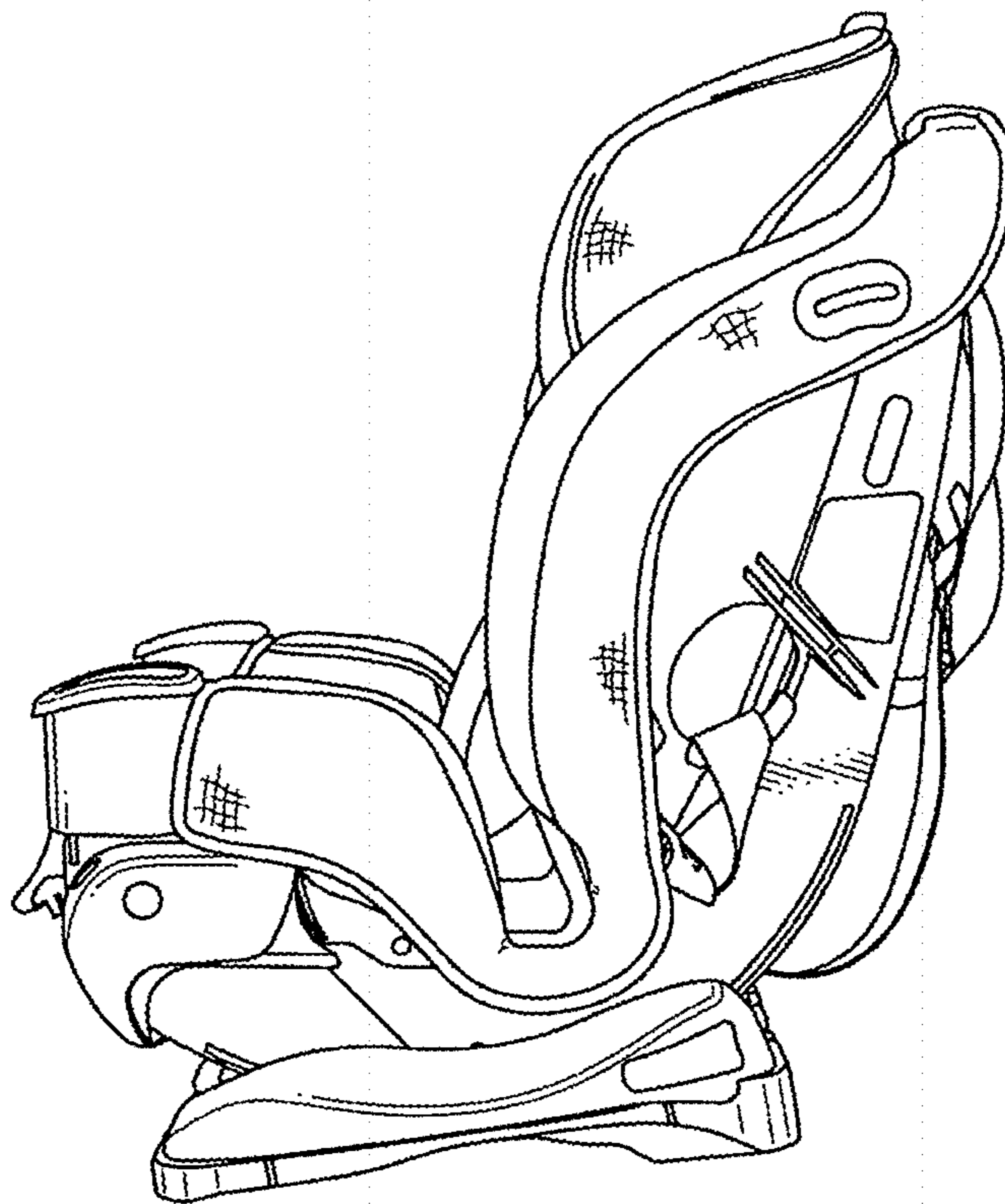


FIG. 5

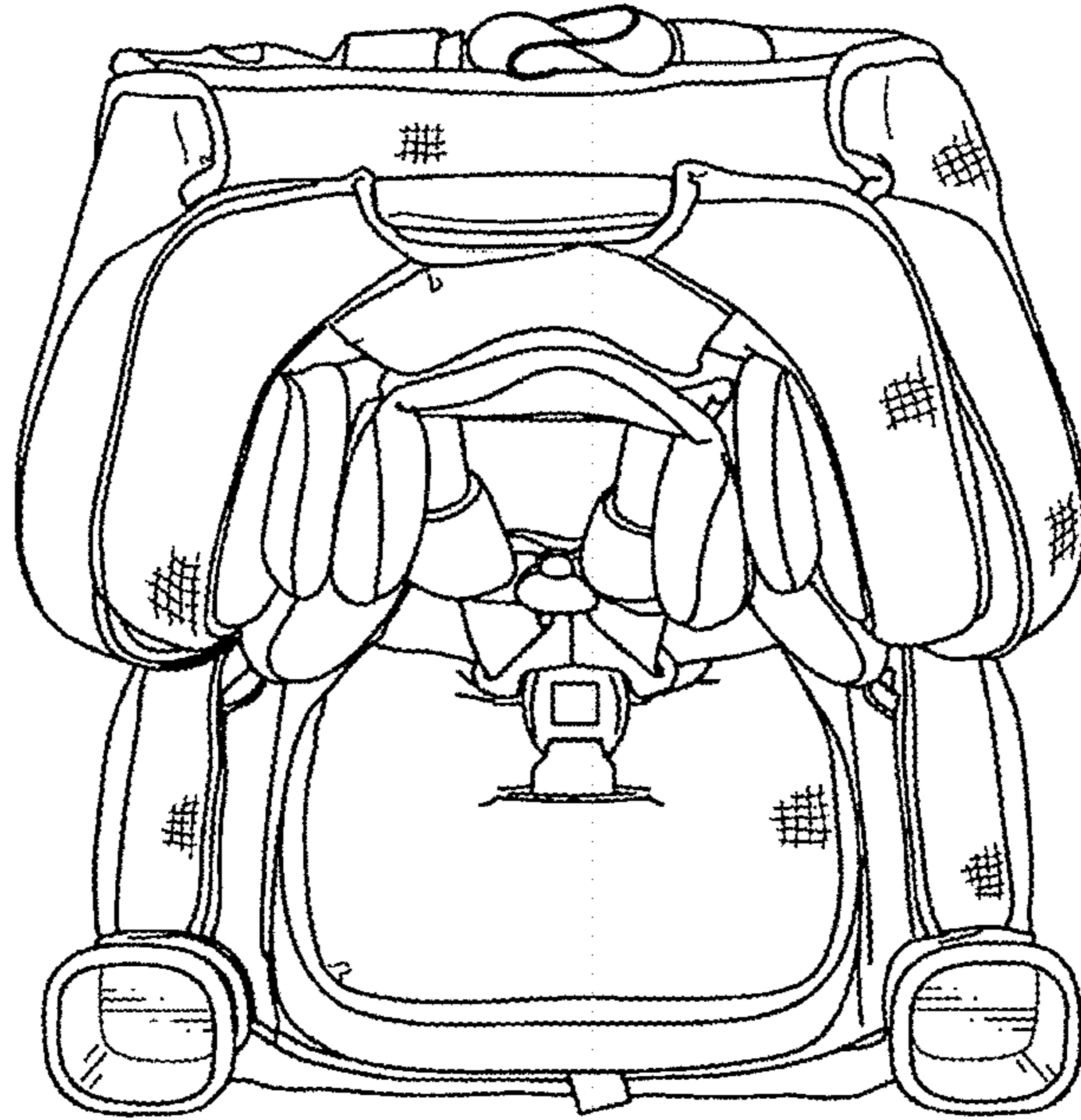


FIG. 6

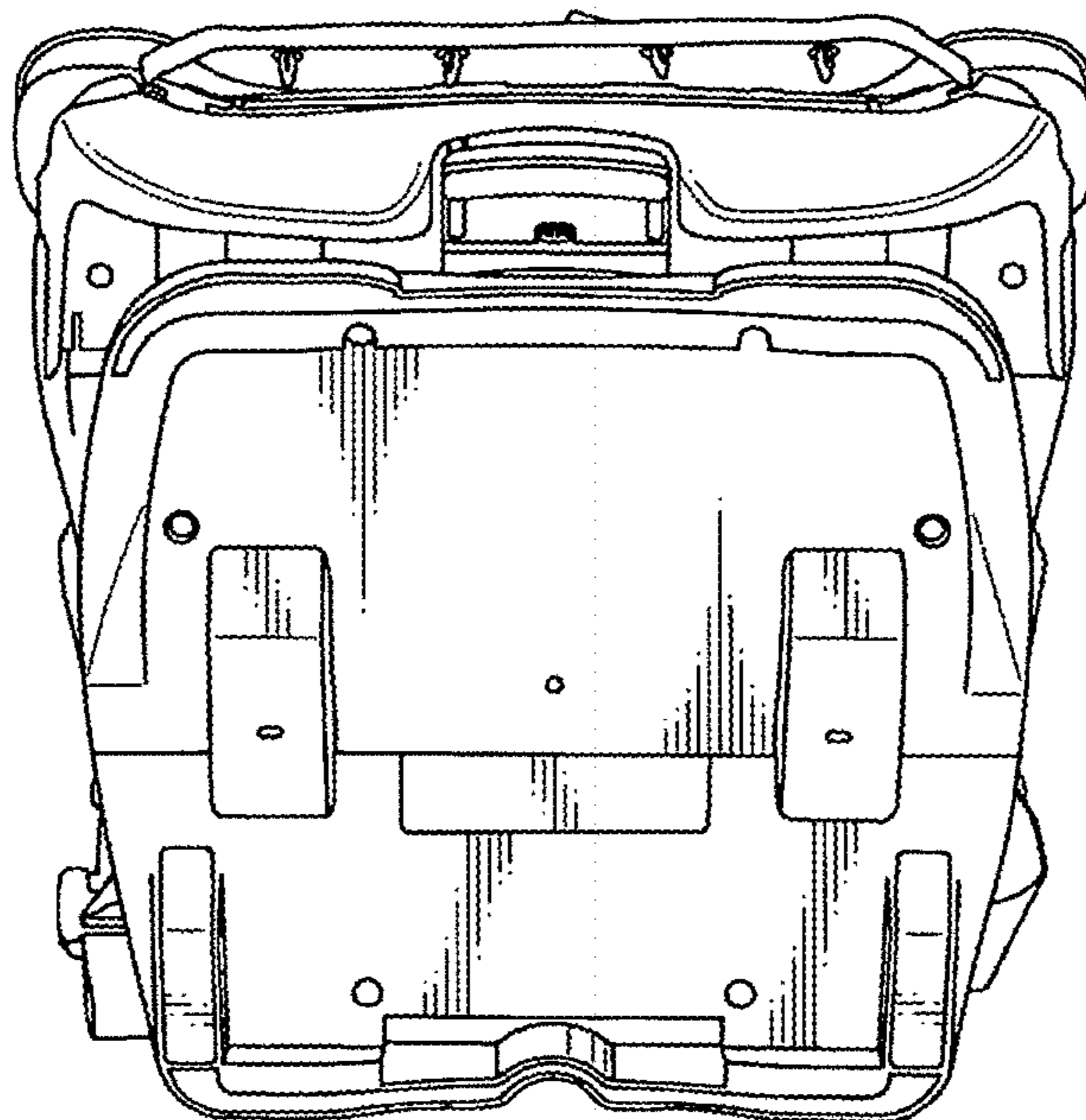


FIG. 7

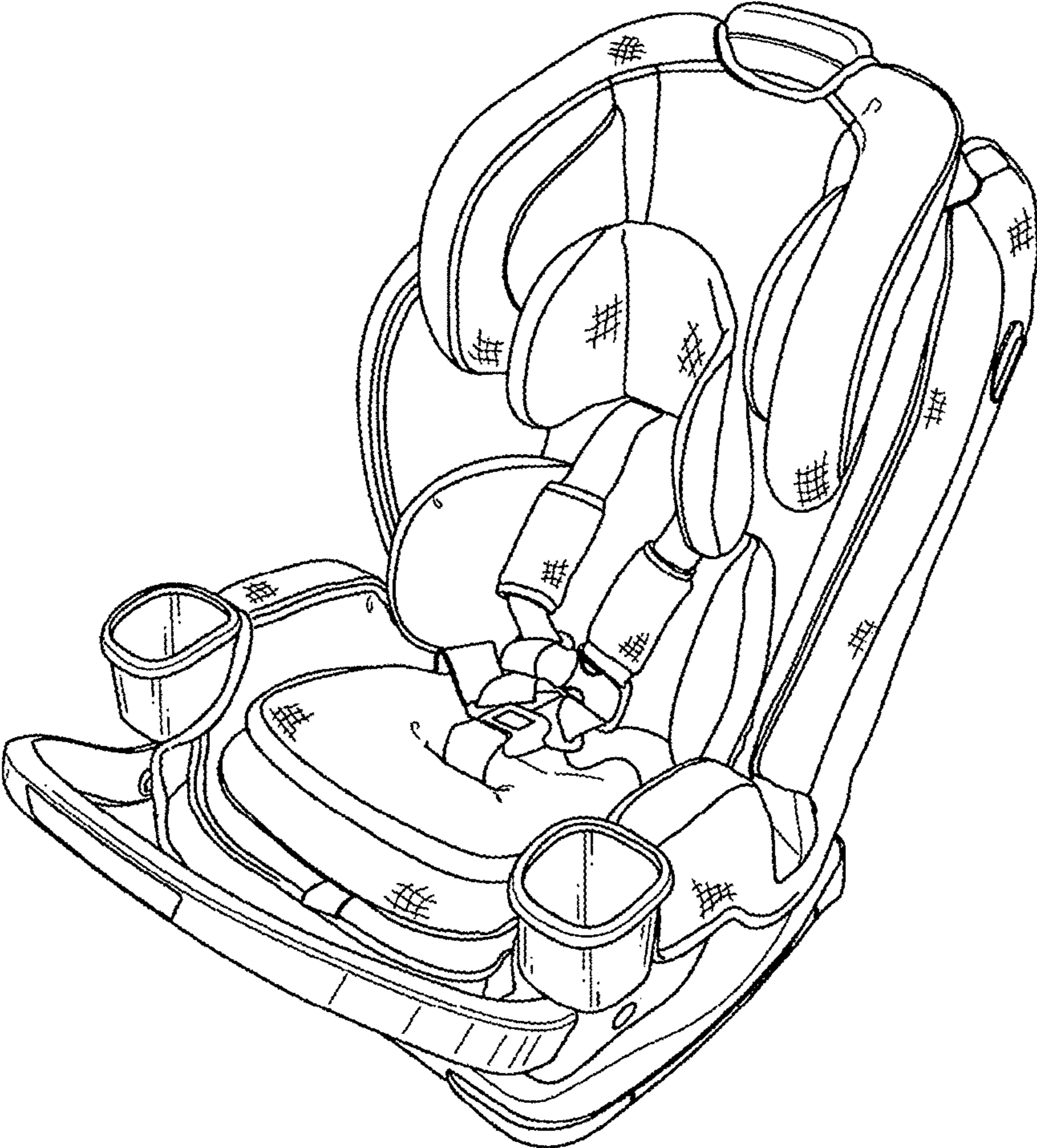


FIG. 8