



US00D938168S

(12) **United States Design Patent** (10) **Patent No.:** **US D938,168 S**
Meng et al. (45) **Date of Patent:** **** Dec. 14, 2021**

(54) **FACIAL CLEANSING BRUSH WITH BASE**

DESCRIPTION

(71) Applicant: **SHENZHEN SOOCAS TECHNOLOGY CO., LTD.**, Shenzhen (CN)

(72) Inventors: **Fandi Meng**, Shenzhen (CN); **Guanglu Feng**, Shenzhen (CN)

(73) Assignee: **SHENZHEN SOOCAS TECHNOLOGY CO., LTD.**, Shenzhen (CN)

(**) Term: **15 Years**

(21) Appl. No.: **29/721,917**

(22) Filed: **Jan. 24, 2020**

(30) **Foreign Application Priority Data**

Jul. 30, 2019 (CN) 201930409163.9

(51) **LOC (13) Cl.** **28-03**

(52) **U.S. Cl.**
USPC **D4/100; D4/102; D4/132**

(58) **Field of Classification Search**
USPC D4/100, 102, 121, 127, 128, 129, 130, D4/132, 133, 134, 135, 136, 137, 138,
(Continued)

(56) **References Cited**

U.S. PATENT DOCUMENTS

D147,710 S * 10/1947 Witte D4/134
D771,389 S * 11/2016 Since D4/102
(Continued)

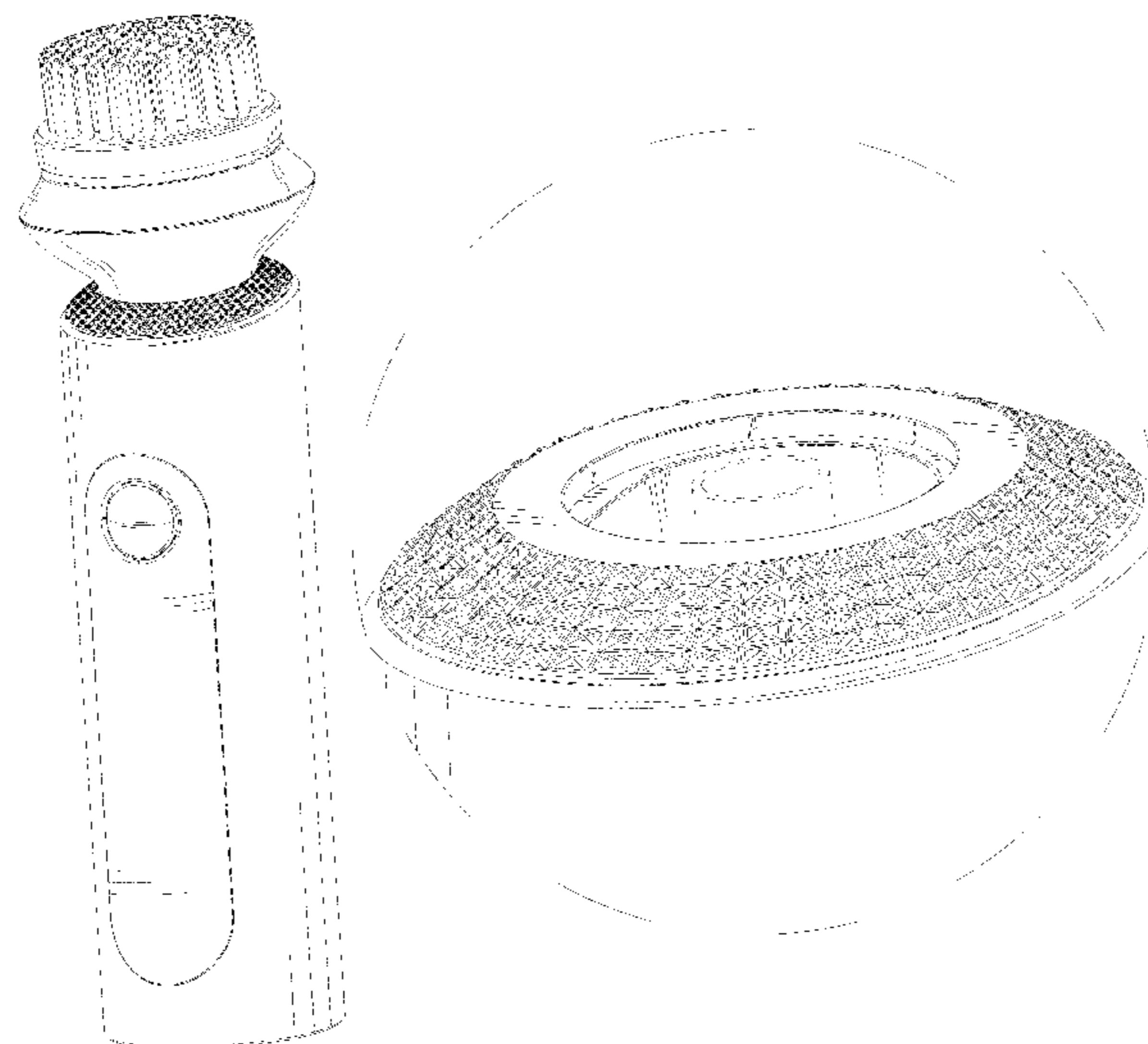
Primary Examiner — Karen E Eldridge Powers
(74) *Attorney, Agent, or Firm* — Cantor Colburn LLP

(57) **CLAIM**

The ornamental design for a “facial cleansing brush with base,” as shown and described.

FIG. 1 is a perspective view of a facial cleansing brush that shows the facial cleaning brush in the base;
FIG. 2 is a front view thereof;
FIG. 3 is a rear view thereof;
FIG. 4 is a left side view thereof;
FIG. 5 is a right side view thereof;
FIG. 6 is a top view thereof; and
FIG. 7 is a bottom view thereof;
FIG. 8 is perspective view of the base of the facial cleansing brush, shown separately for clarity of illustration;
FIG. 9 is a front view thereof;
FIG. 10 is a rear view thereof;
FIG. 11 is a left side view thereof;
FIG. 12 is a right side view thereof;
FIG. 13 is a top view thereof; and
FIG. 14 is a bottom view thereof;
FIG. 15 is a perspective view of a head of the facial cleansing brush;
FIG. 16 is a front view thereof;
FIG. 17 is a rear view thereof;
FIG. 18 is a left side view thereof;
FIG. 19 is a right side view thereof;
FIG. 20 is a top view thereof; and
FIG. 21 is a bottom view thereof;
FIG. 22 is an enlarged partial view “22” in FIG. 8, shown separately for ease of illustration;
FIG. 23 is an enlarged partial view “23” showing the brush head in FIG. 9;
FIG. 24 is an enlarged partial view “24” showing the brush head in FIG. 10;
FIG. 25 is an enlarged partial view “25” showing the brush head in FIG. 11;
FIG. 26 is an enlarged partial view “26” showing the brush head in FIG. 13; and,
FIG. 27 is an enlarged partial view “27” showing the brush head in FIG. 15.
The base shown in FIGS. 8-14 and the brush head shown in FIGS. 15-21 are shown separately for clarity of illustration. The broken lines in the figures depict portions of the facial cleansing brush with base that form no part of the claimed design.

1 Claim, 27 Drawing Sheets



(58) **Field of Classification Search**

USPC D4/199; D28/13, 24, 28, 25, 35;
D24/209, 214, 215
CPC .. A46B 5/02; A46B 9/005; A46B 9/02; A46B
9/023; A46B 9/06; A46B 15/0022; A46B
15/0024; A46B 15/003; A46B 5/0059;
A46B 15/0075; A46B 2200/1093; A46B
2200/104; A45D 2/001; A45D 2/002;
A45D 7/02; A45D 20/48

See application file for complete search history.

(56) **References Cited**

U.S. PATENT DOCUMENTS

D841,830	S	*	2/2019	Hu	D24/215
D871,076	S	*	12/2019	Lee	D4/102
D888,333	S	*	6/2020	Shigeru	D28/13
D891,112	S	*	7/2020	Yoon	D4/100
D893,886	S	*	8/2020	Xiong	D4/127
10,767,851	B1	*	9/2020	Rapisarda	F21S 9/02
D904,032	S	*	12/2020	Zeng	D4/100
D907,373	S	*	1/2021	Lee	D4/132

* cited by examiner

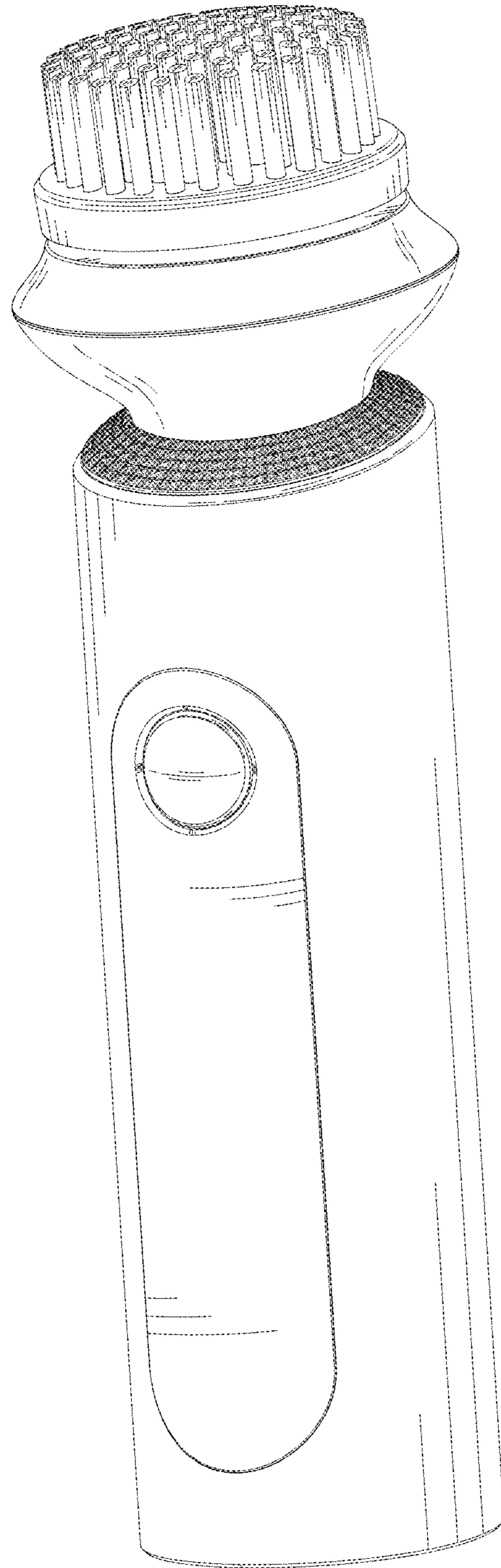


FIG. 1

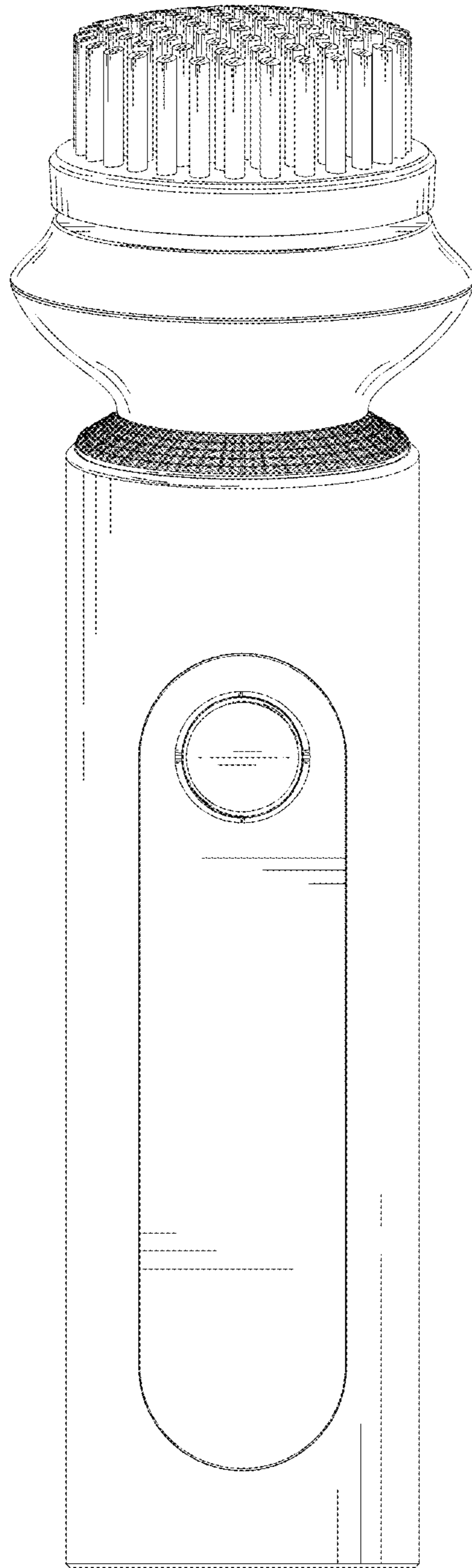


FIG. 2

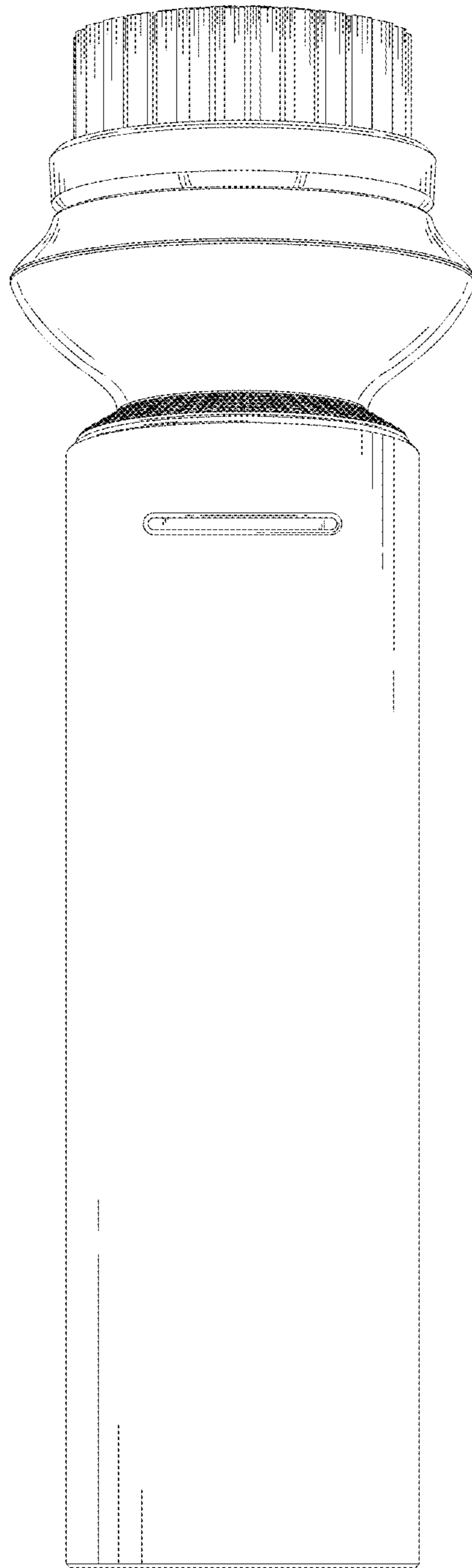


FIG. 3

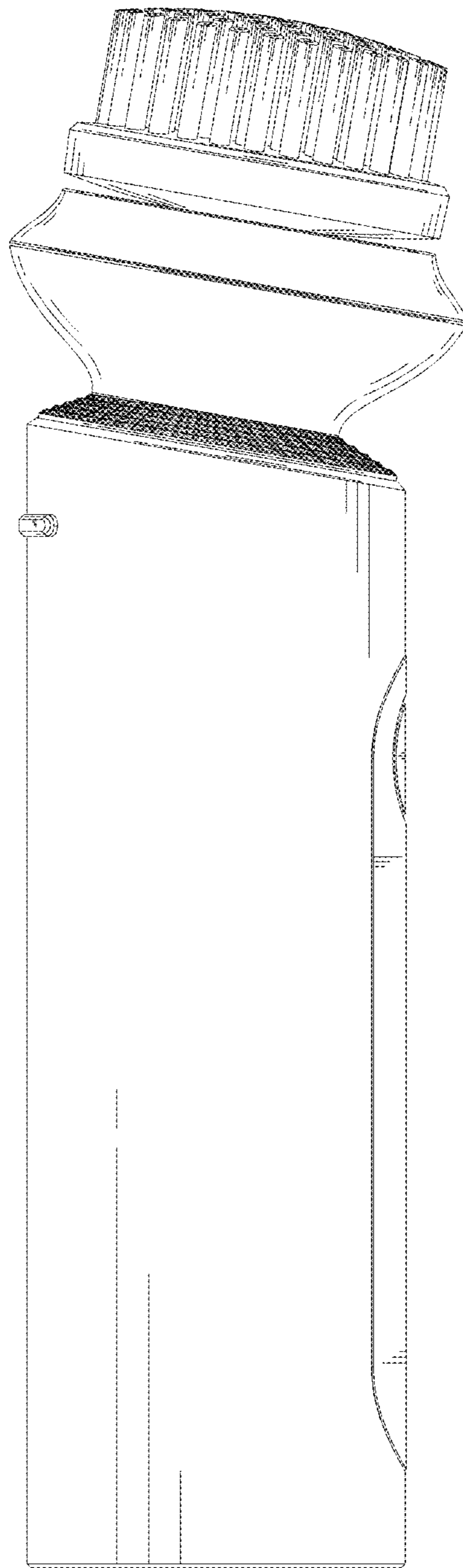


FIG. 4

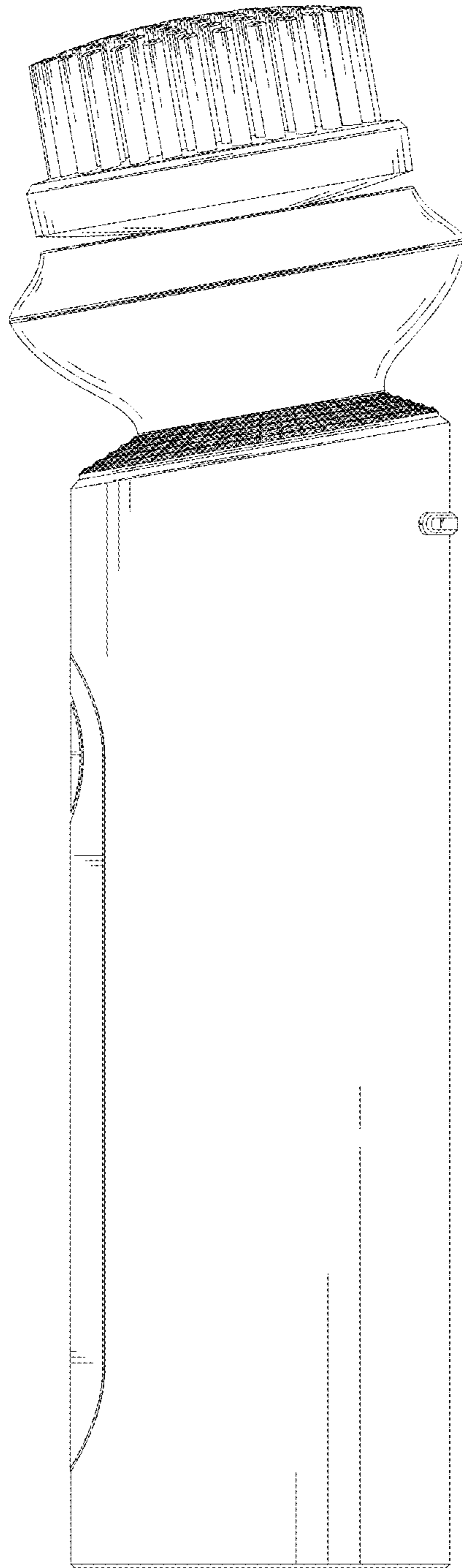


FIG. 5

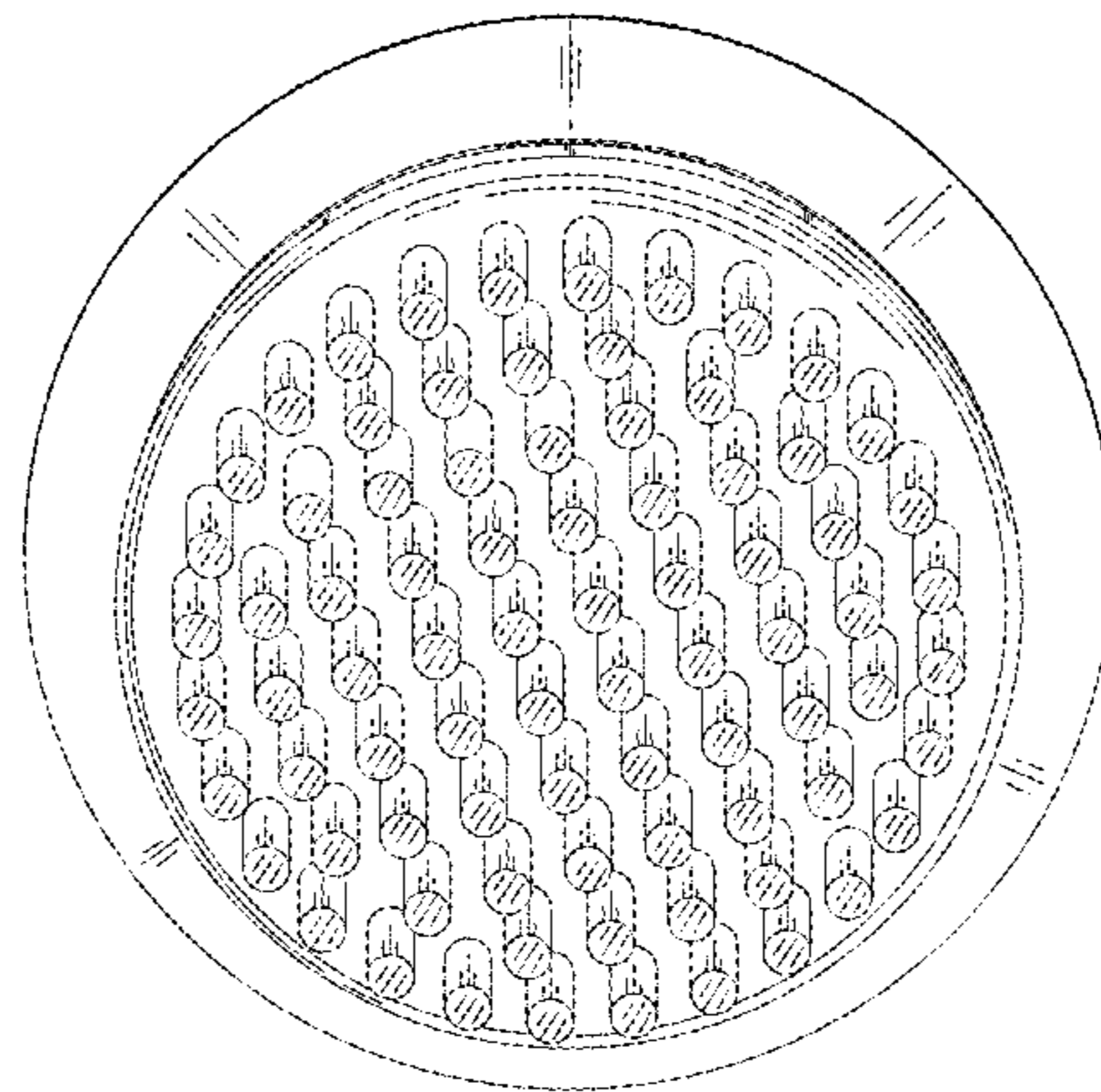


FIG. 6

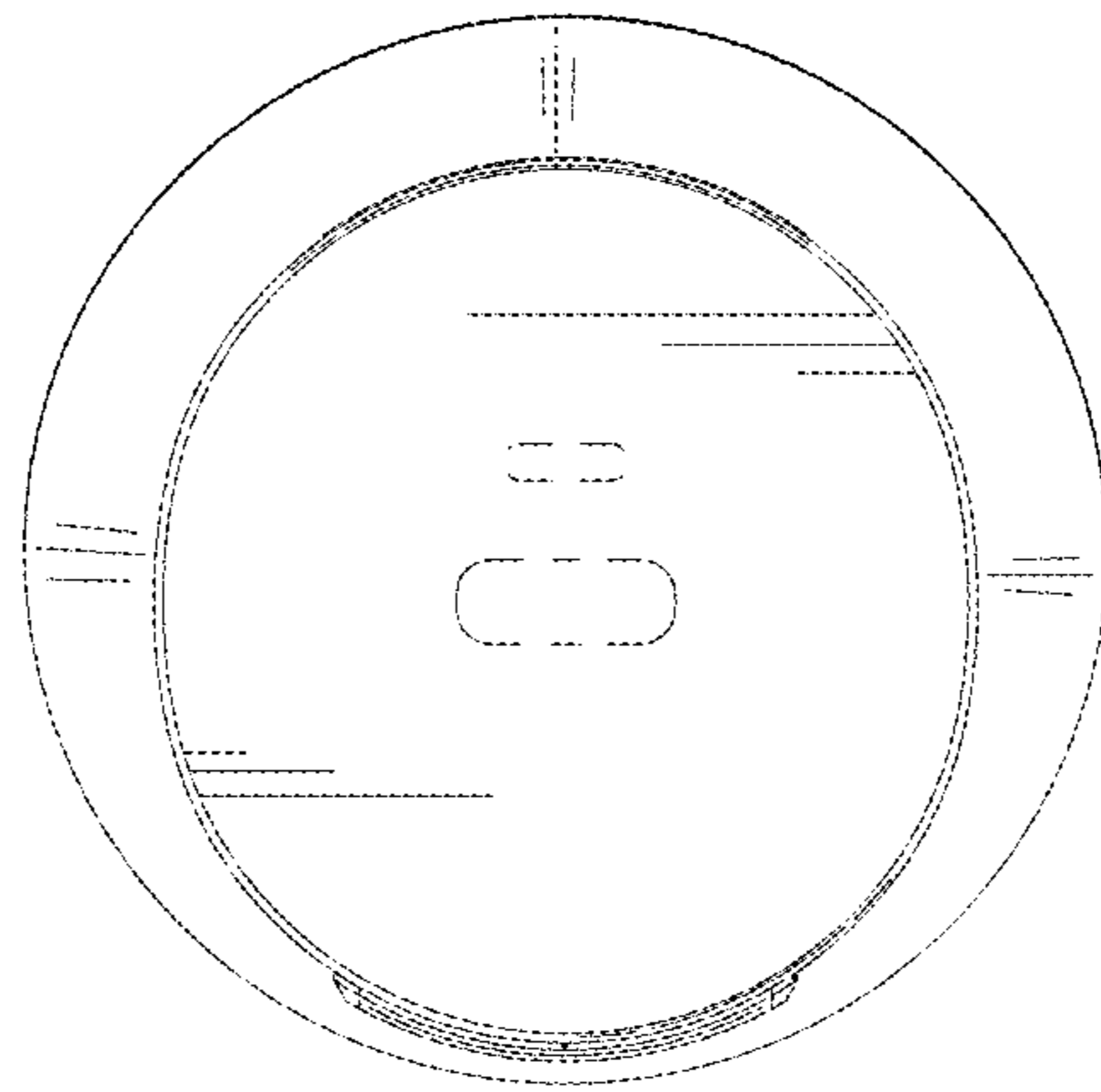


FIG. 7

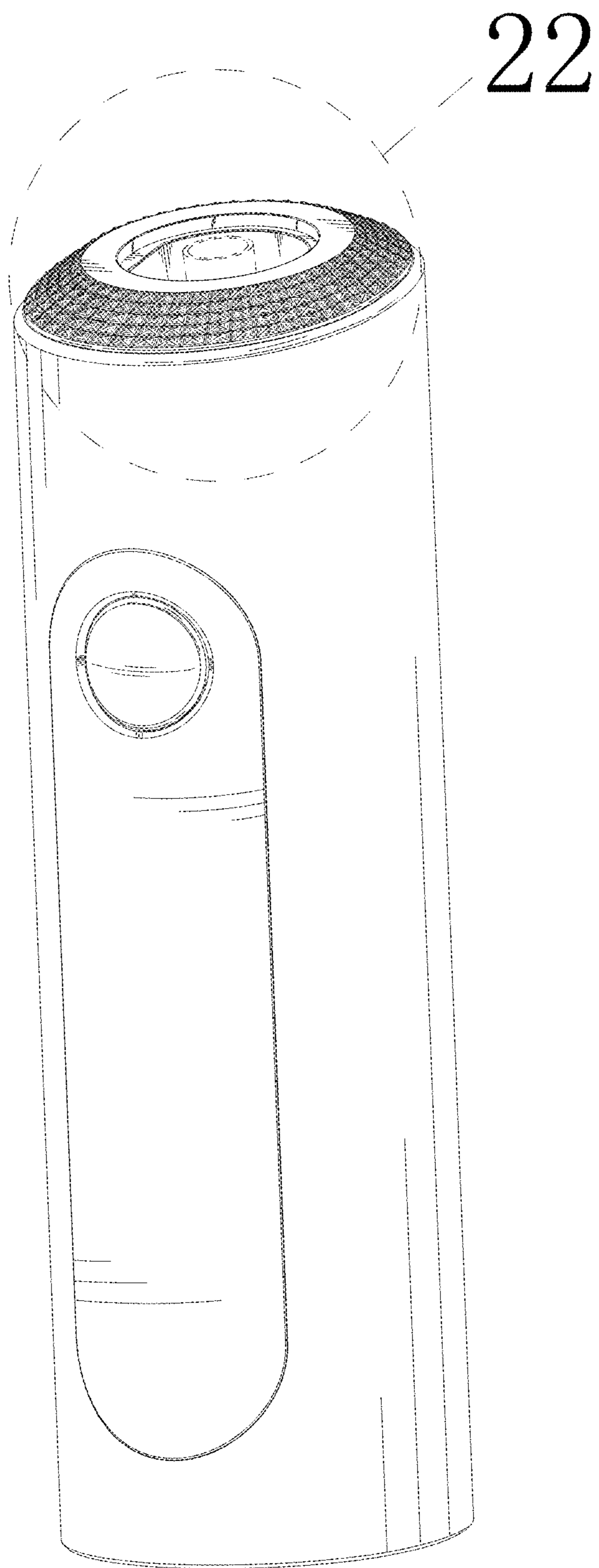


FIG. 8

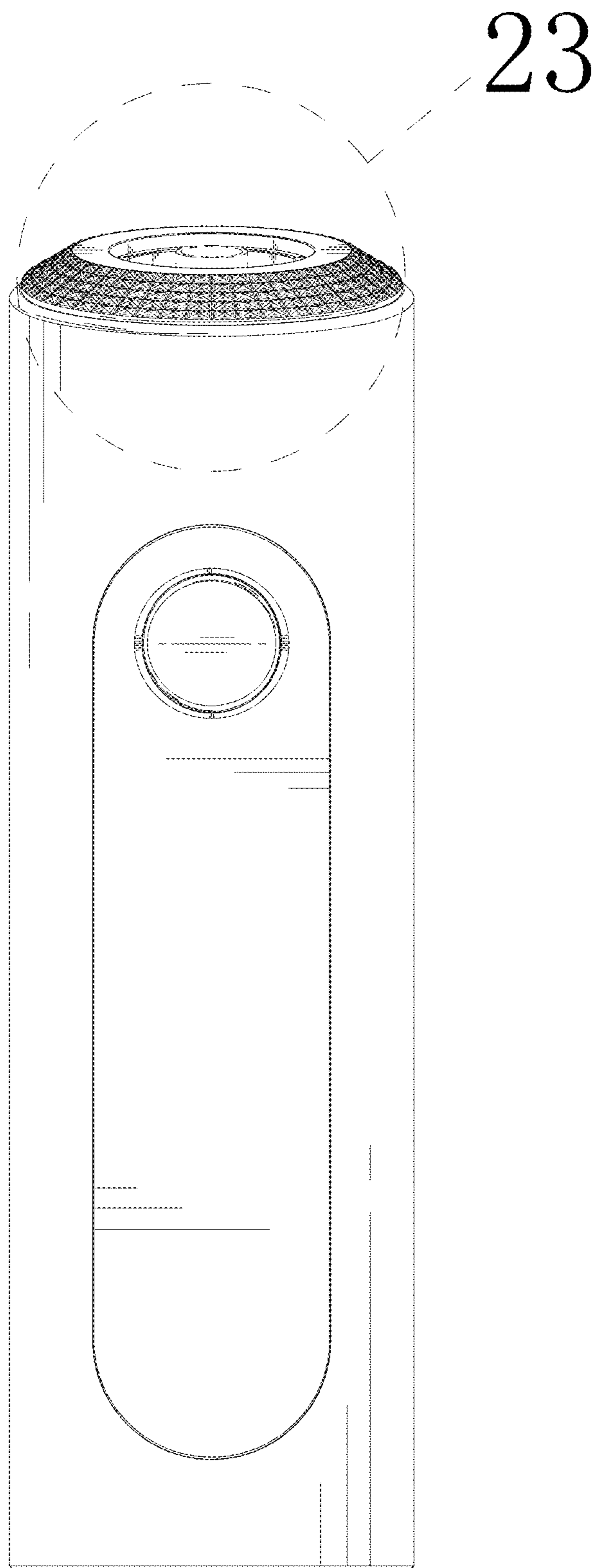


FIG. 9

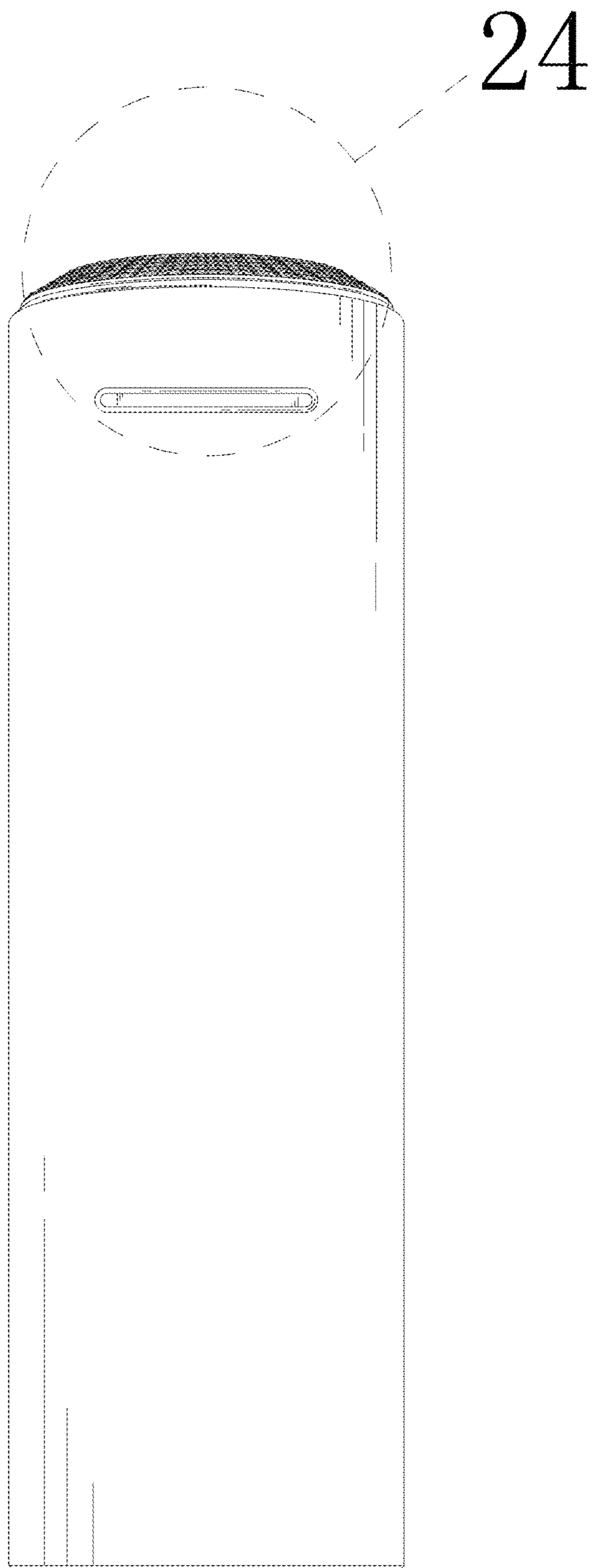


FIG. 10

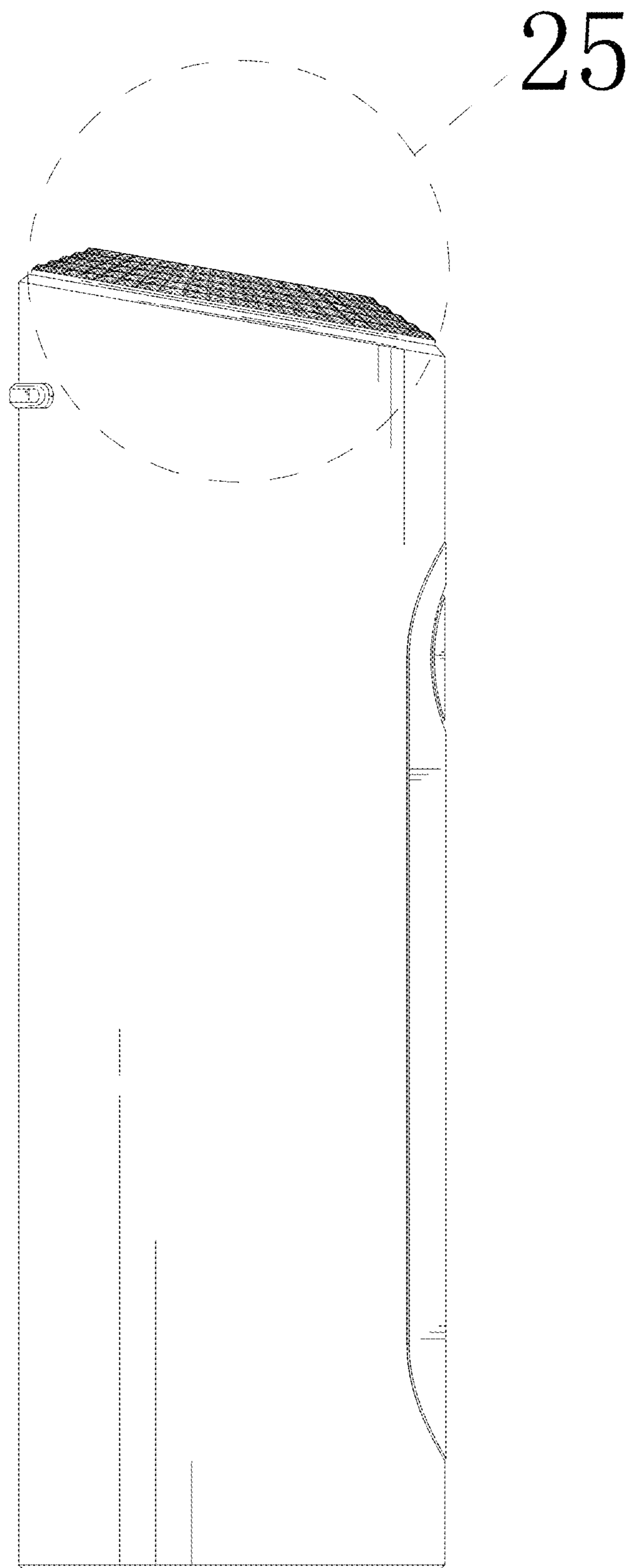


FIG. 11

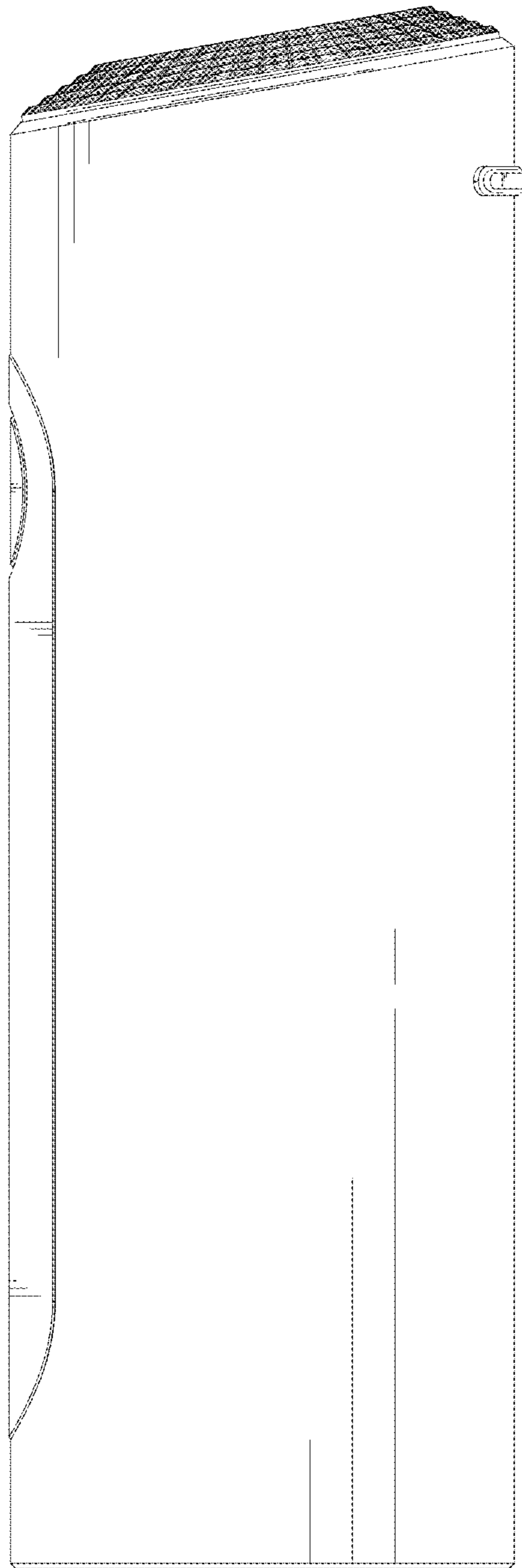


FIG. 12

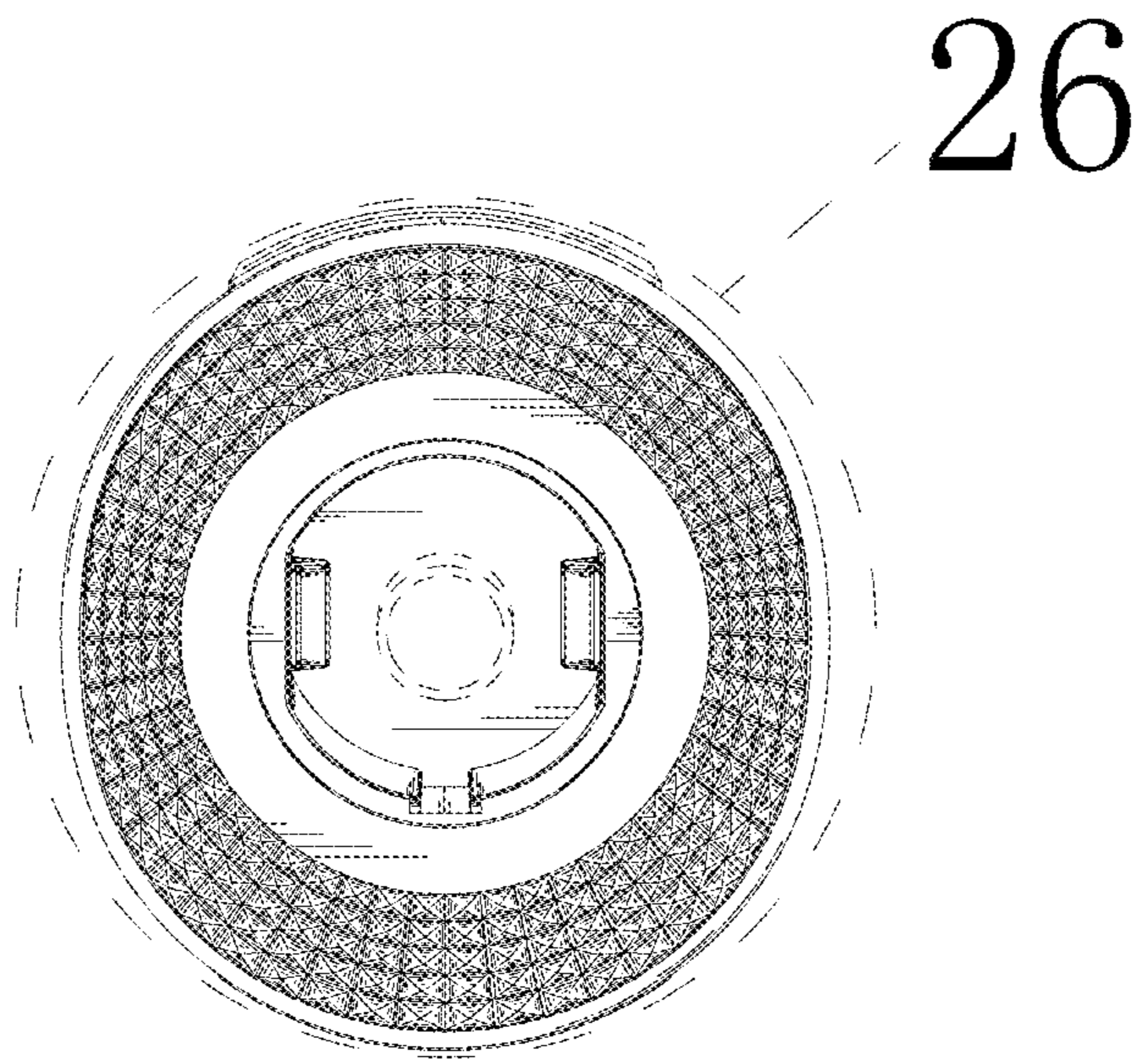


FIG. 13

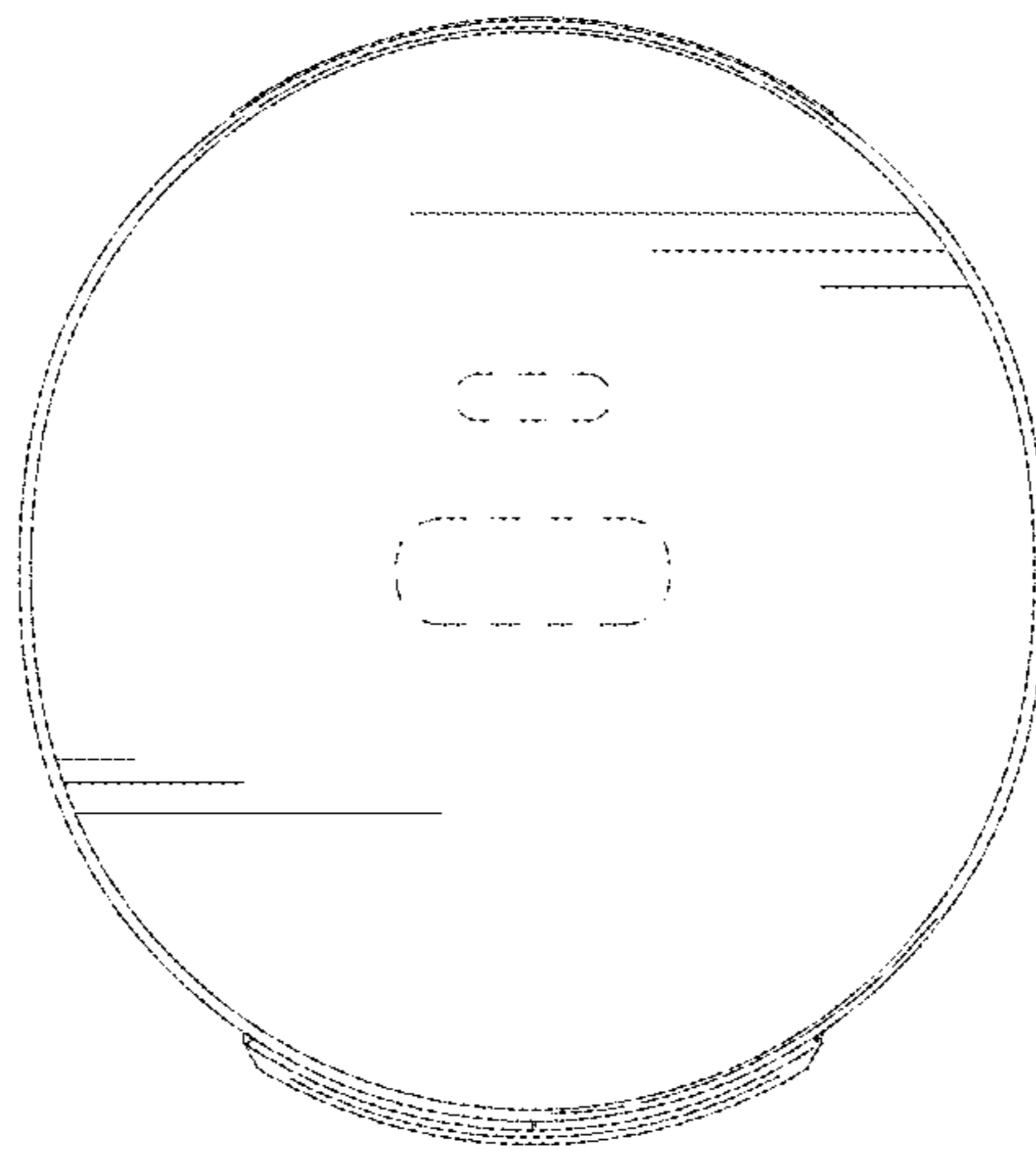


FIG. 14

27

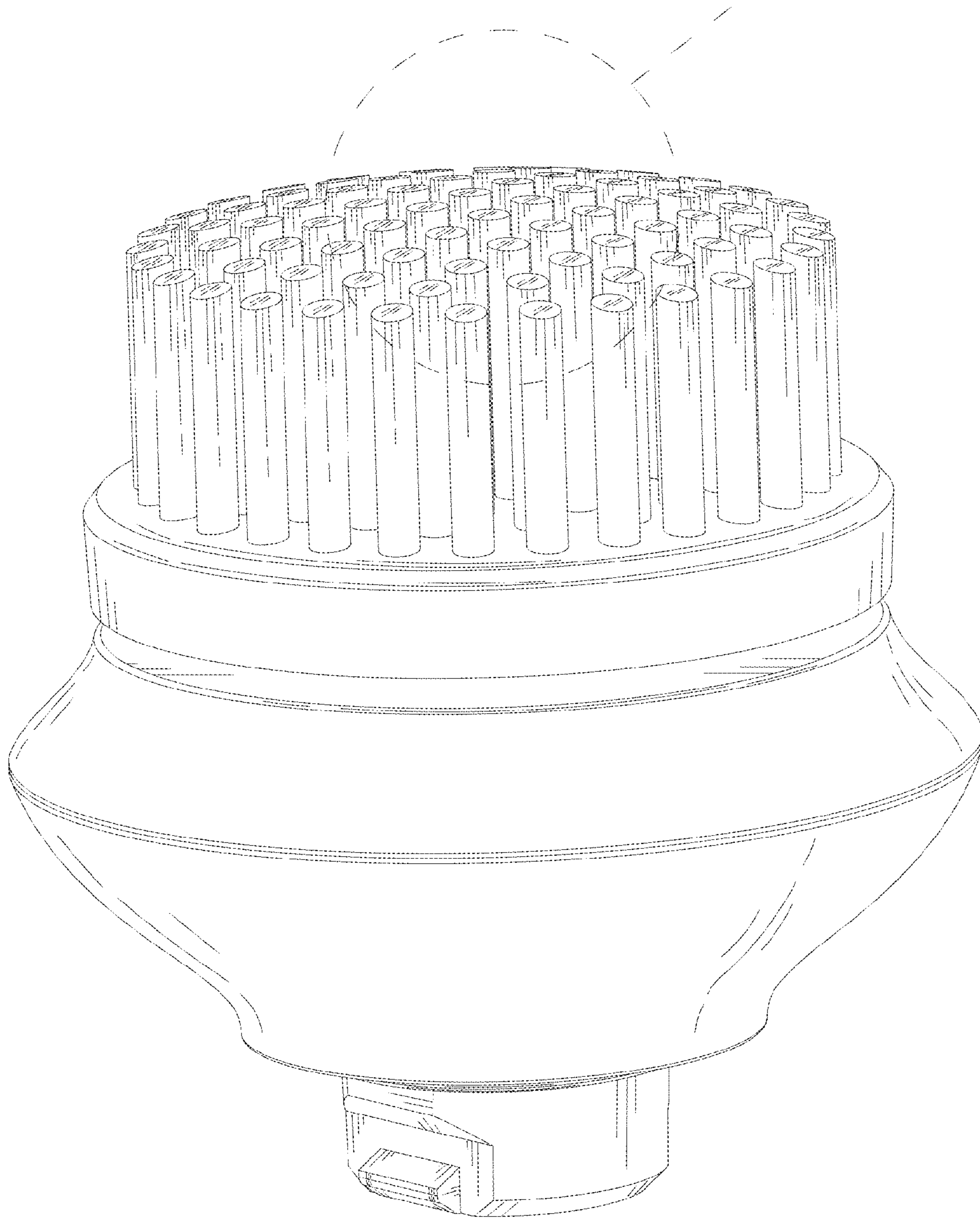


FIG. 15

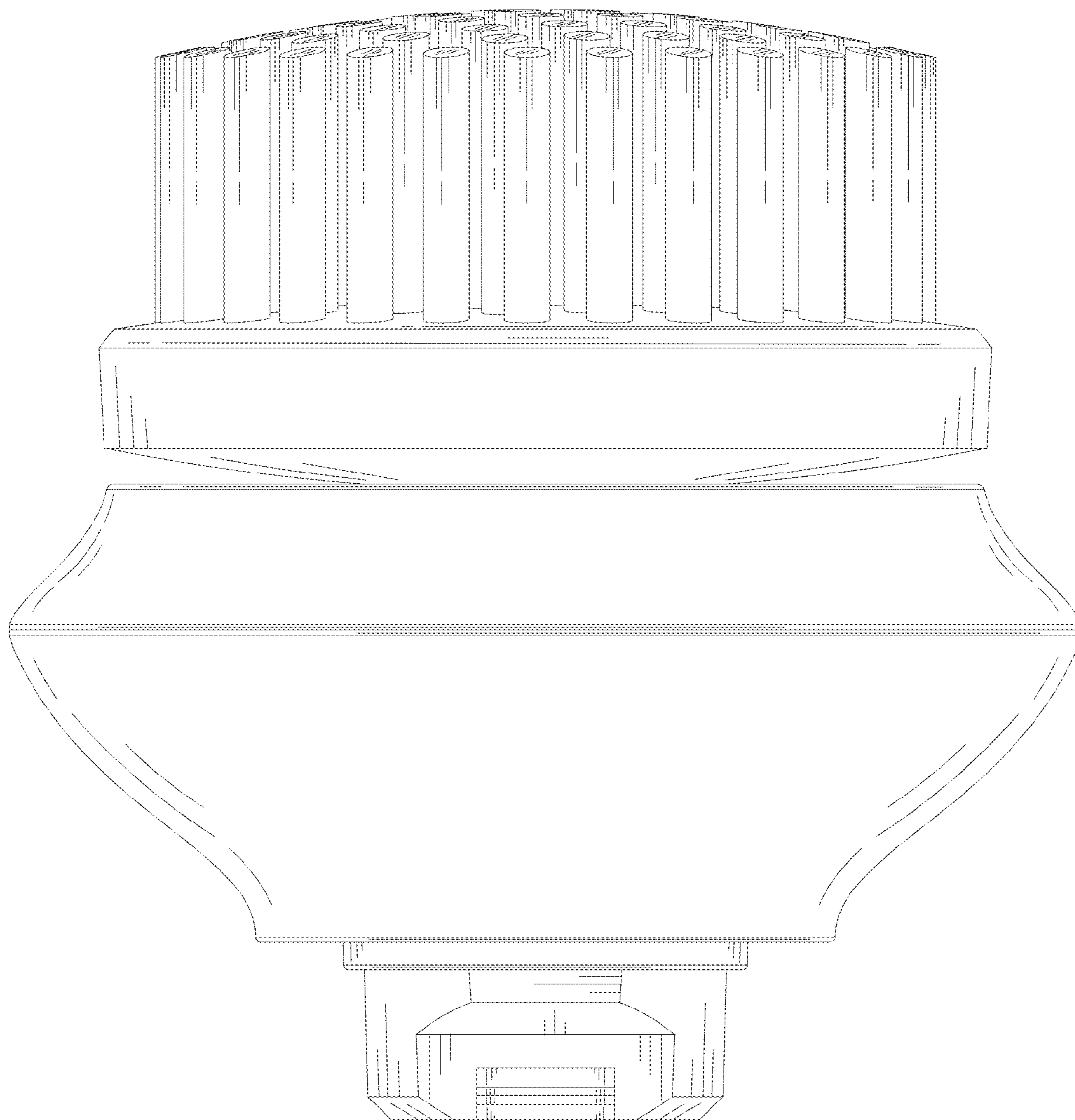


FIG. 16

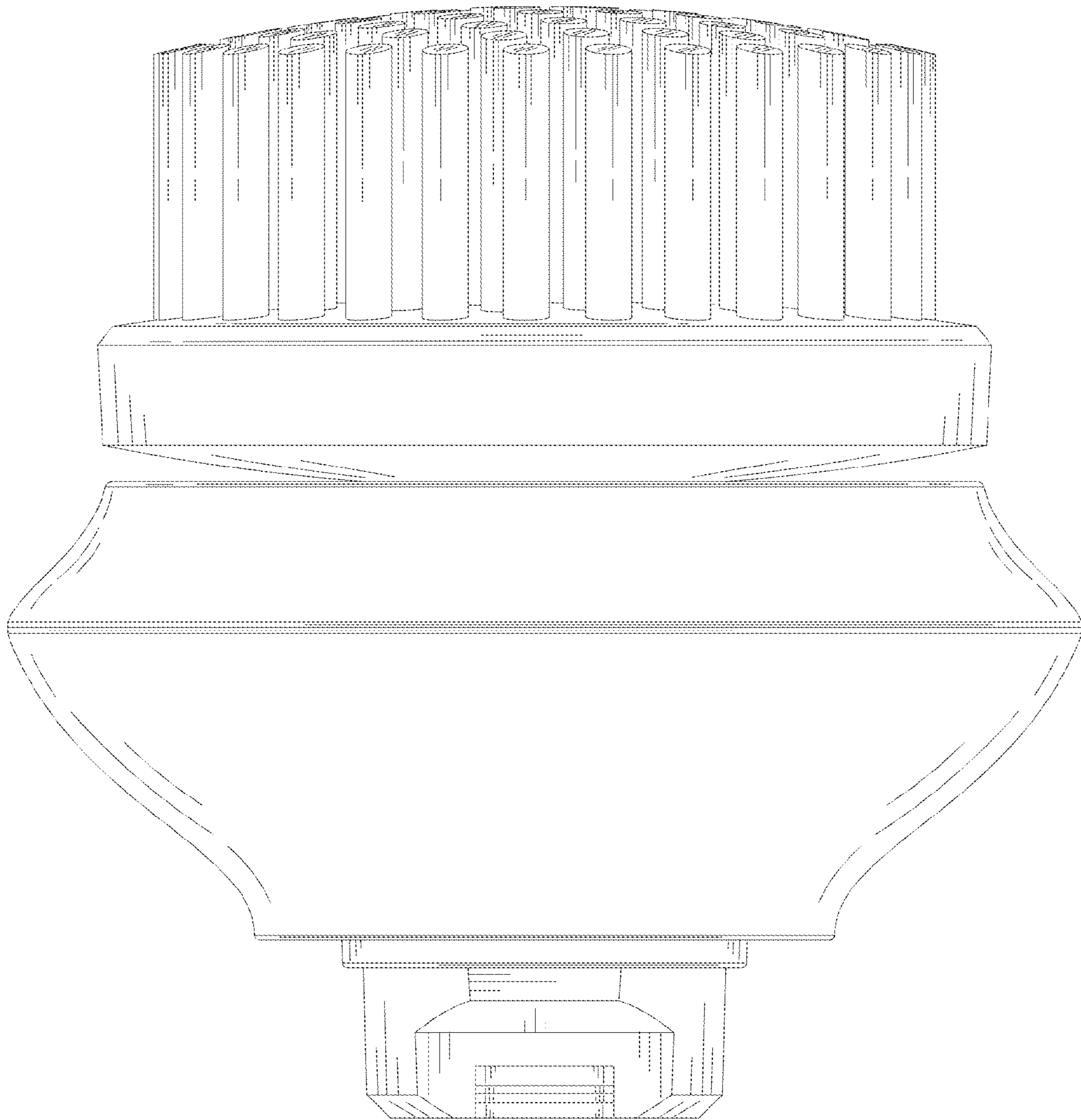


FIG. 17

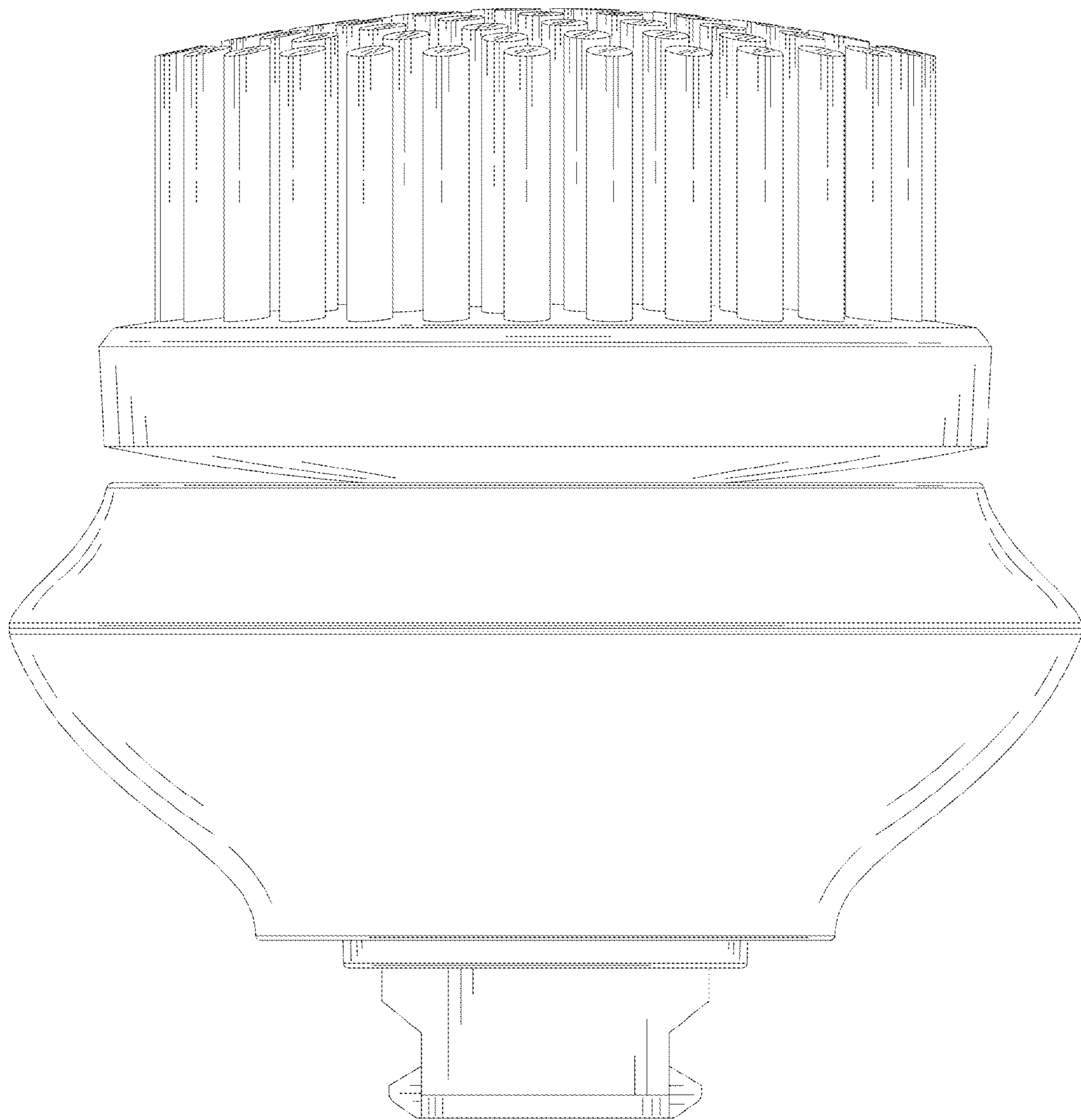


FIG. 18

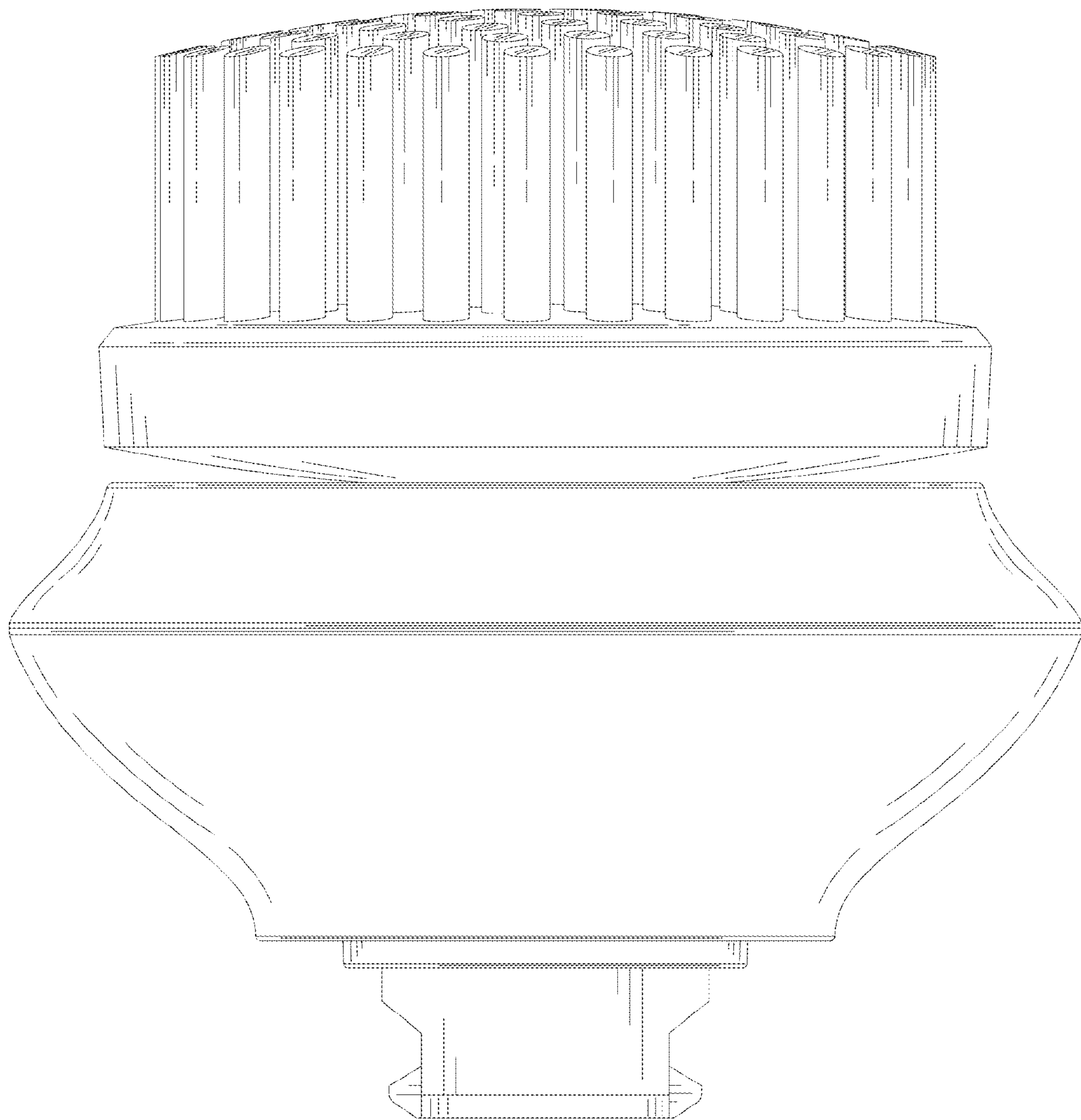


FIG. 19

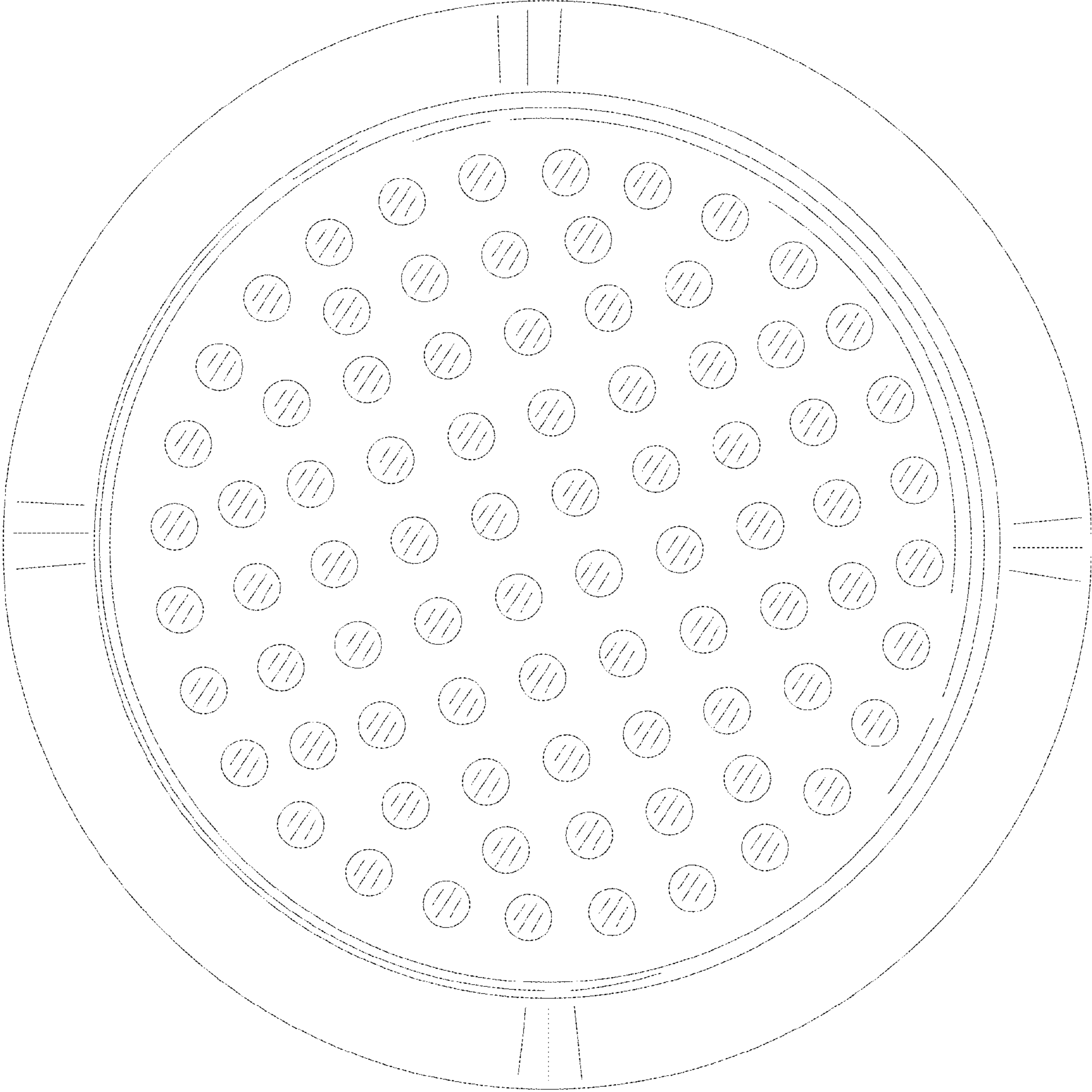


FIG. 20

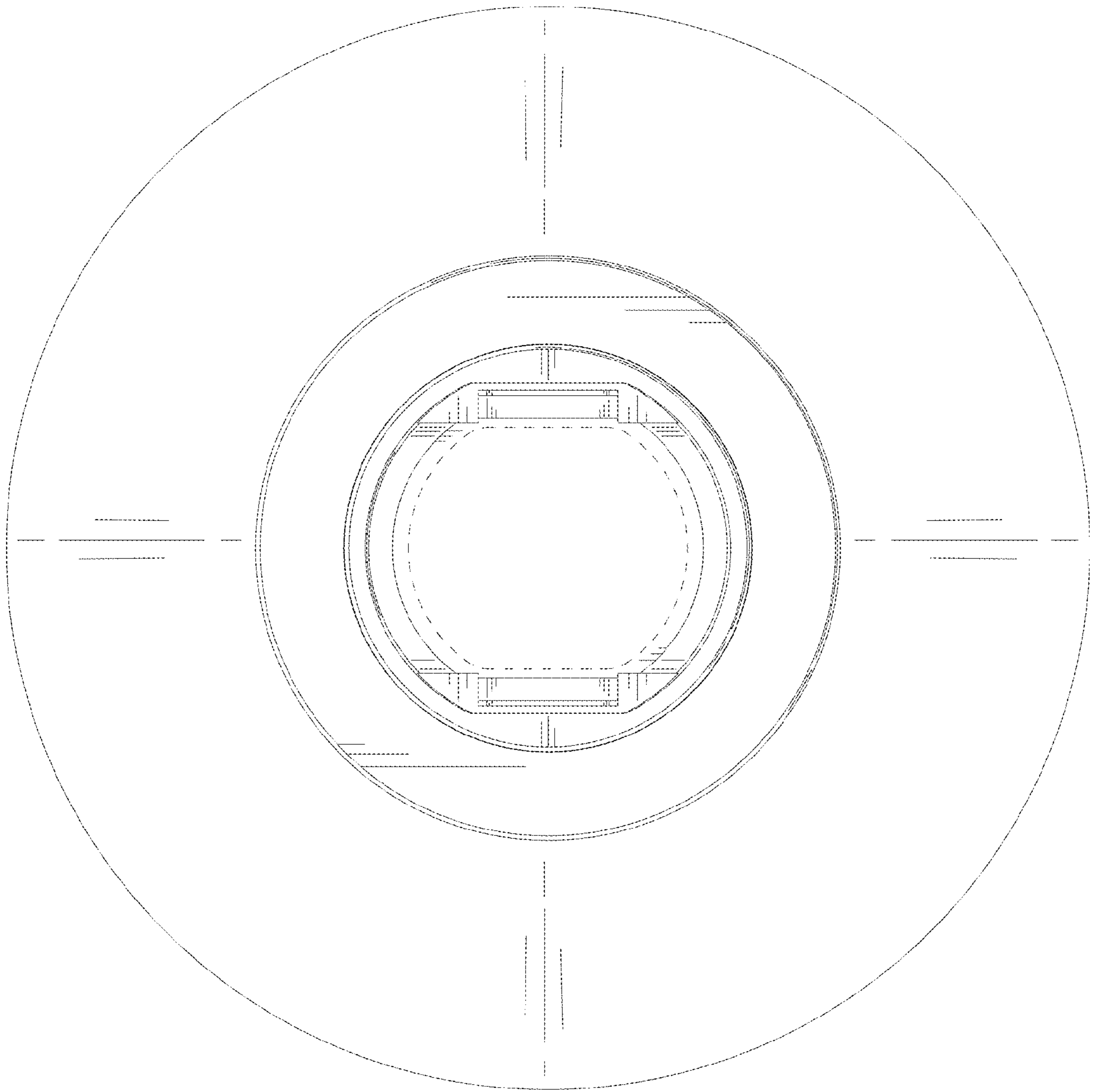


FIG. 21

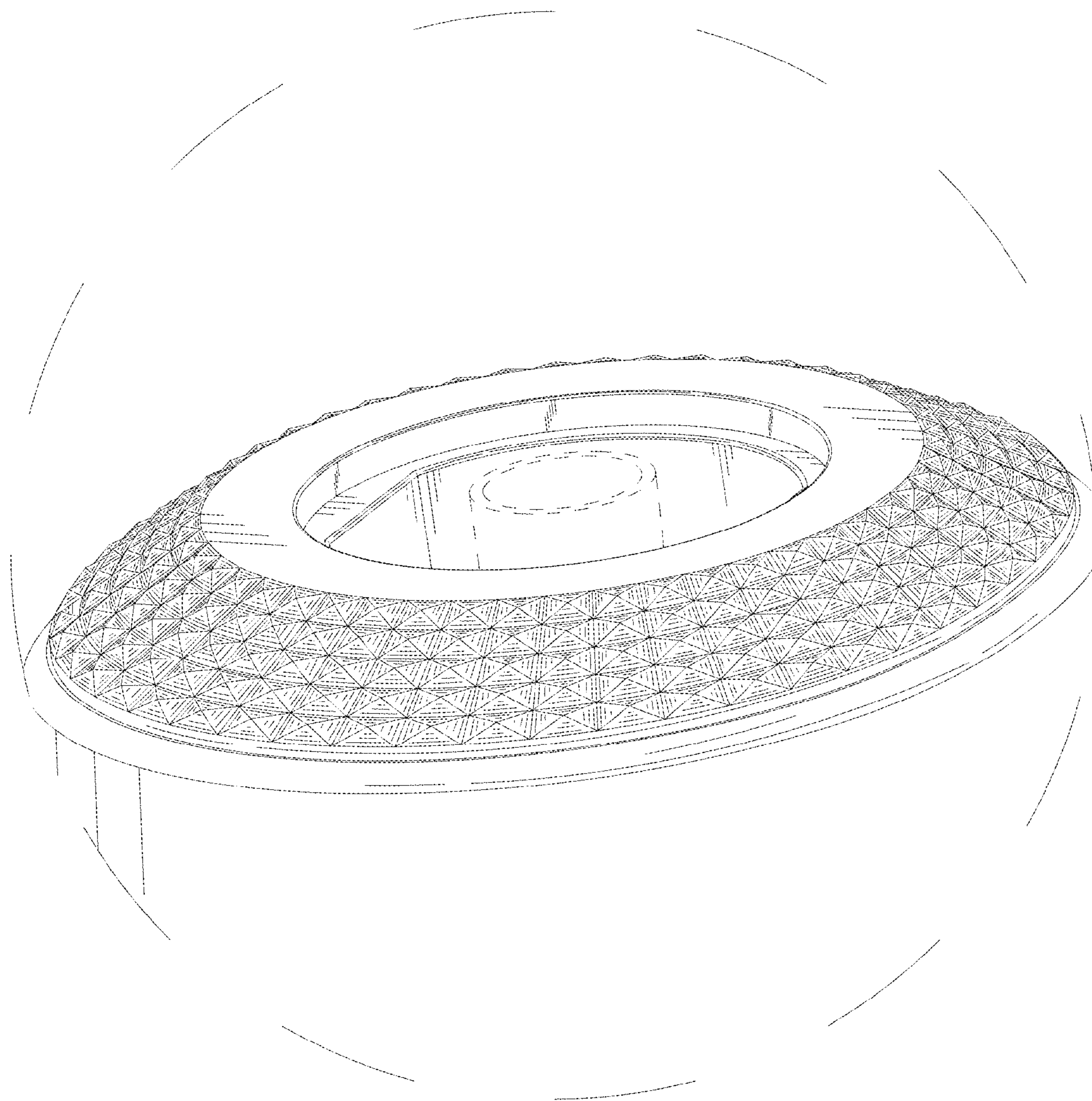


FIG. 22

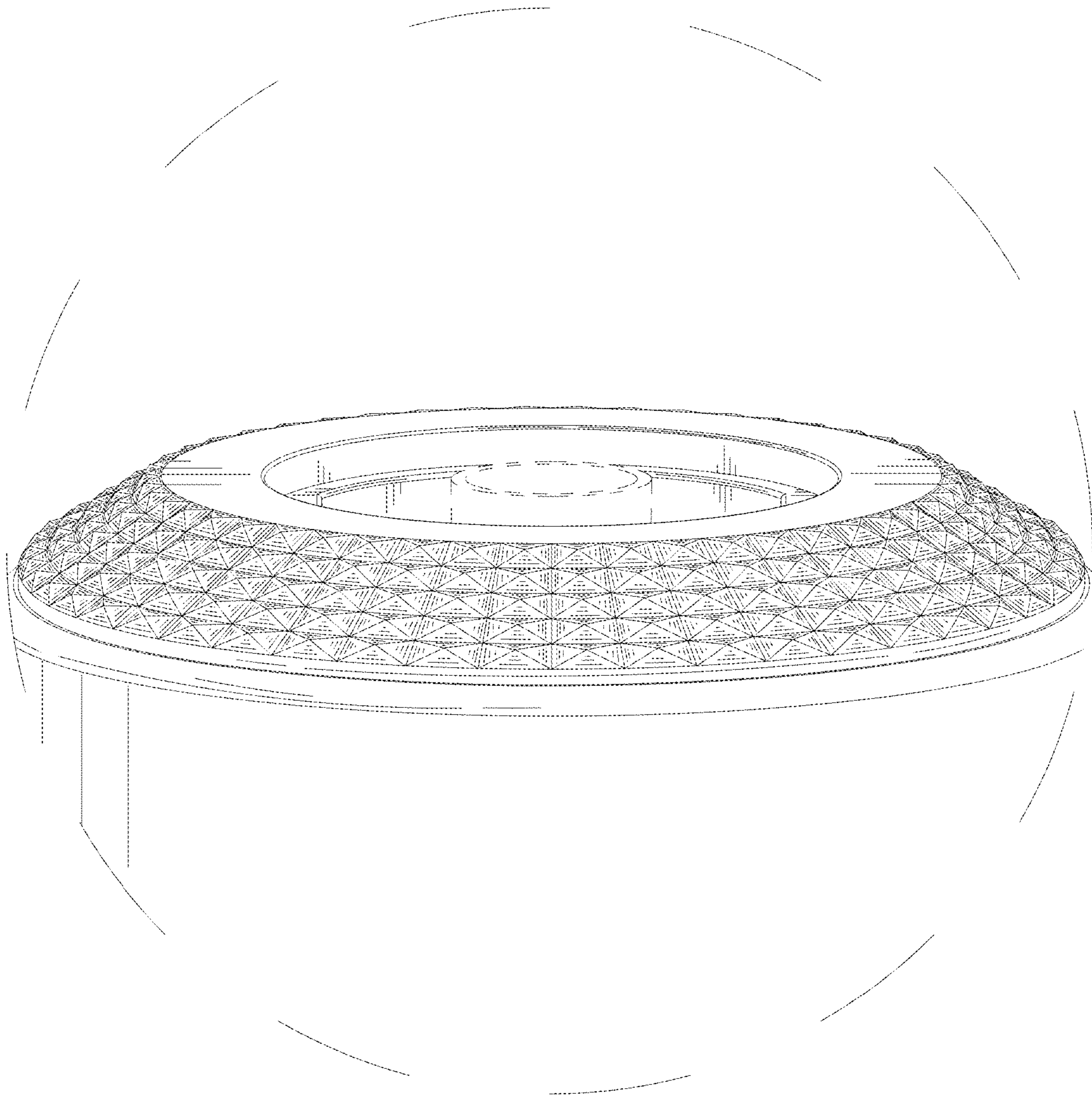


FIG. 23

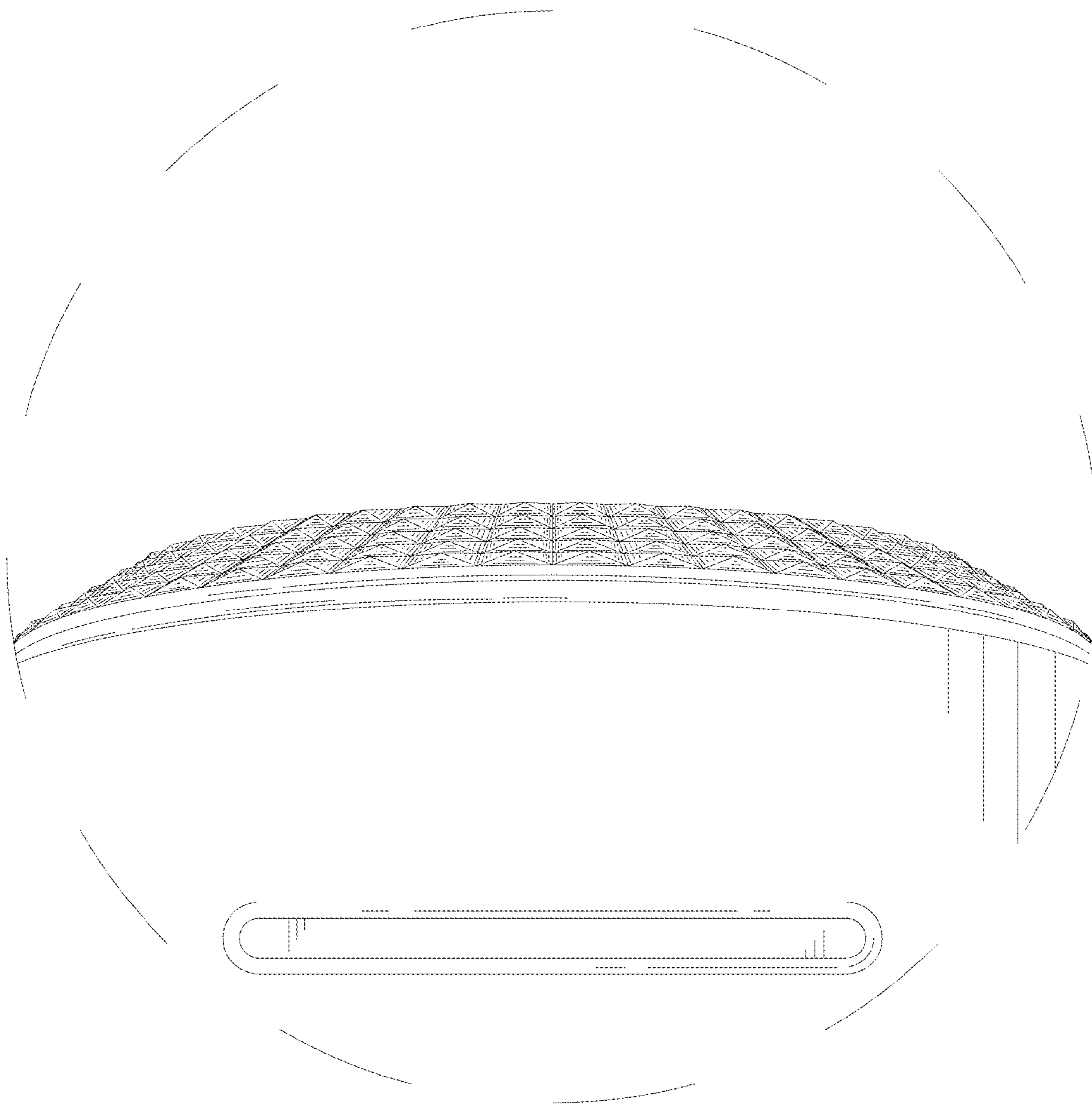


FIG. 24

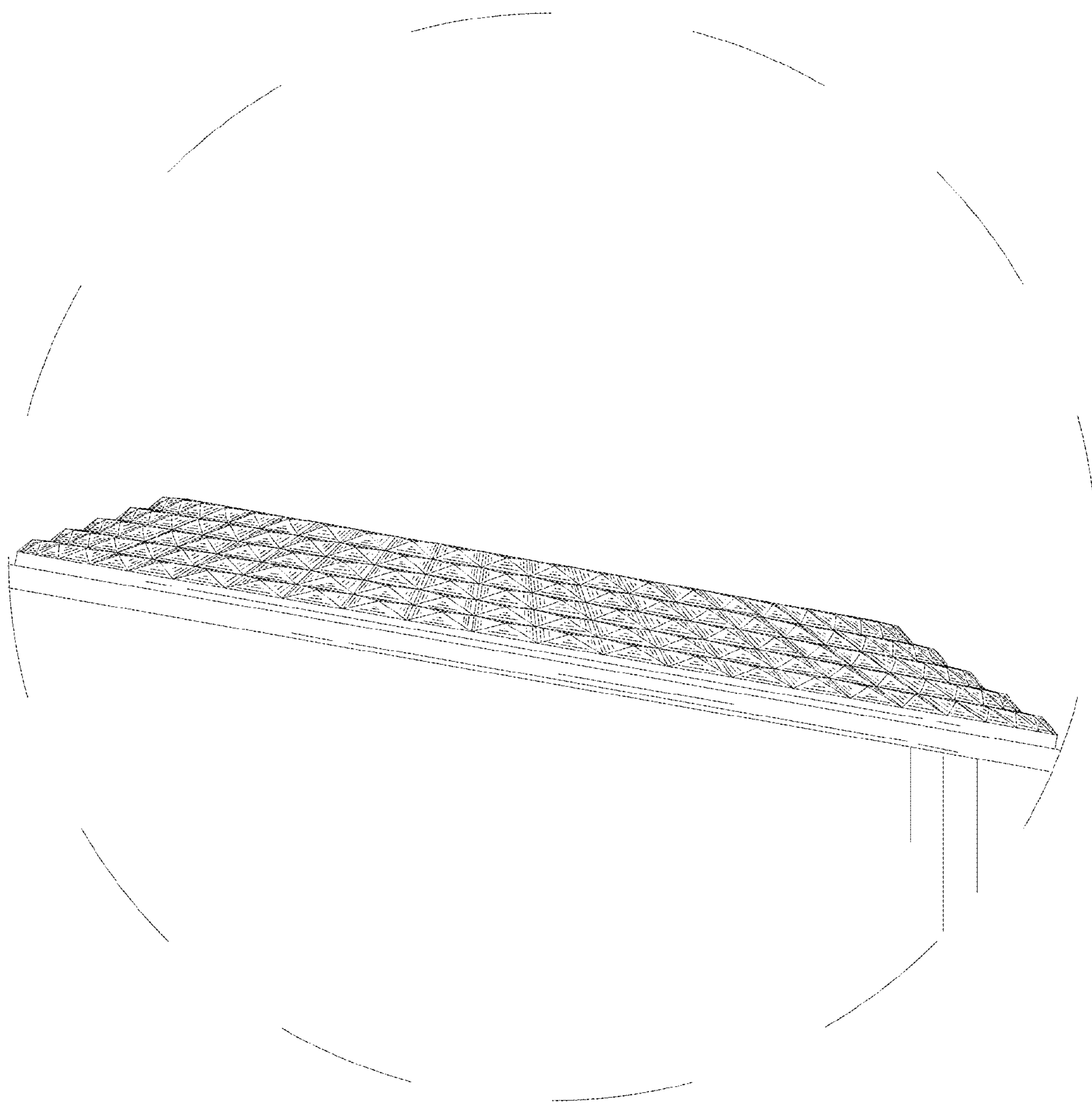


FIG. 25

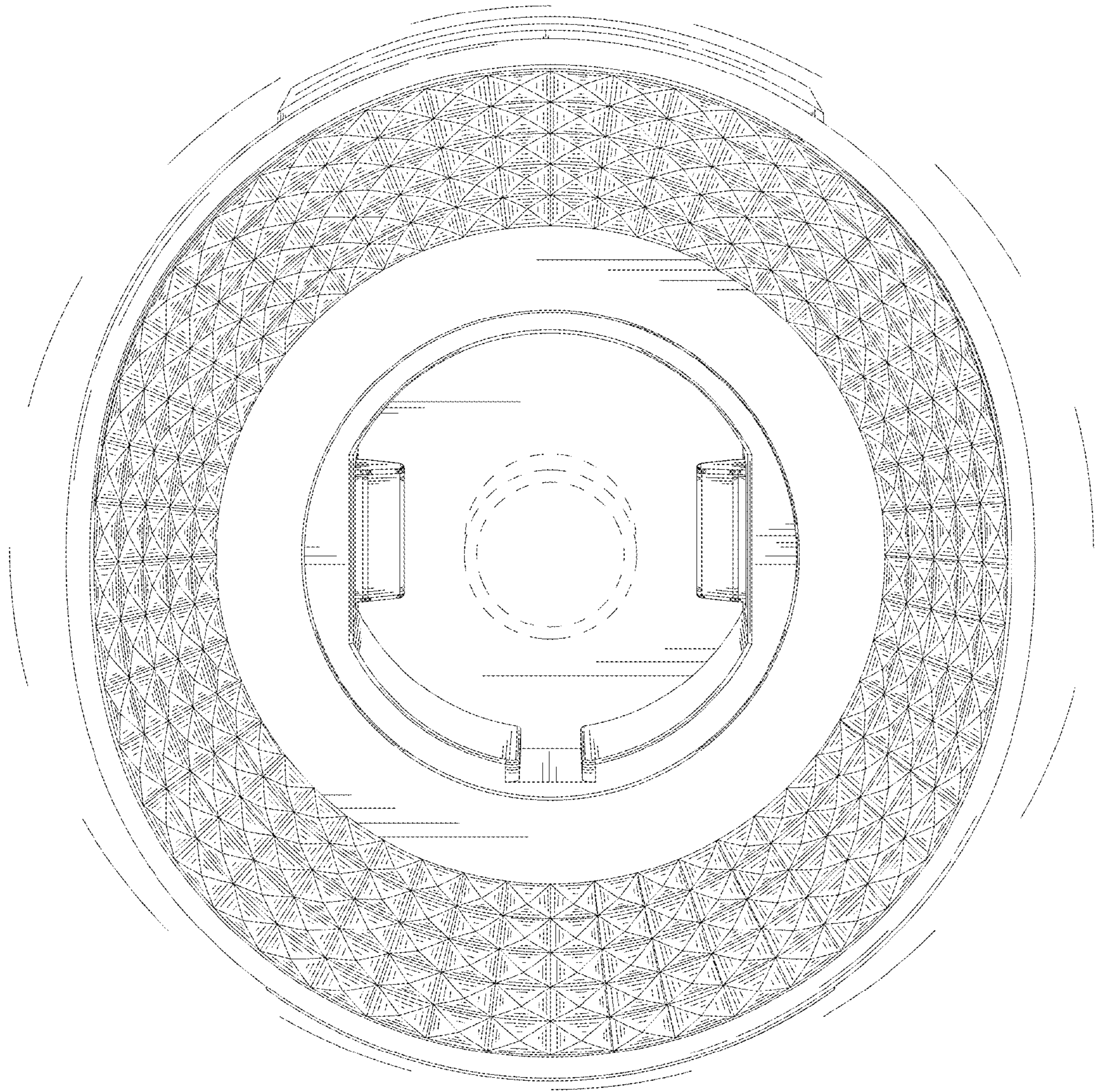


FIG. 26

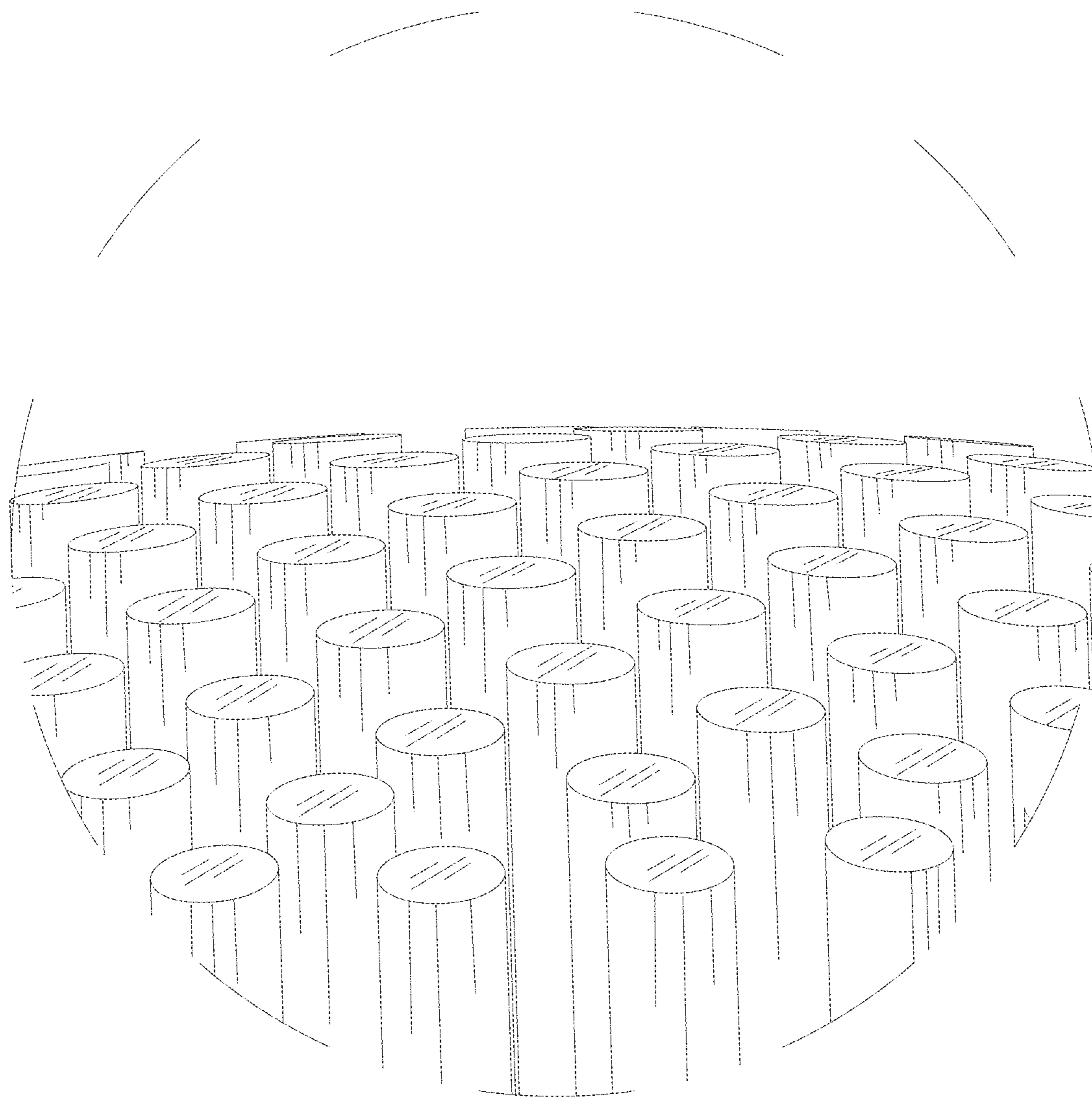


FIG. 27