



US00D938167S

(12) **United States Design Patent** (10) **Patent No.:** **US D938,167 S**
Kuhls (45) **Date of Patent:** **** Dec. 14, 2021**

(54) **STORAGE BOX**

FOREIGN PATENT DOCUMENTS

(71) Applicant: **TANOS GmbH Verpacken Ordnen Präsentieren**, Illertissen (DE)

WO DM/072788 12/2009
WO DM087078 7/2015

(72) Inventor: **Timo Kuhls**, Stuttgart (DE)

OTHER PUBLICATIONS

(73) Assignee: **TANOS GMBH VERPACKEN ORDNEN PRÄSENTIEREN**, Illertissen (DE)

Youtube, “Мо бѣл HOCT з По Д pe Д eHOCT | Systainer³— Festool (BG)”, Published Dec. 2, 2019. (<https://www.youtube.com/watch?v=GcklFzQU004>) (Year: 2019).*

(**) Term: **15 Years**

(Continued)

(21) Appl. No.: **29/706,009**

Primary Examiner — April Rivas

(22) Filed: **Sep. 17, 2019**

(74) *Attorney, Agent, or Firm* — Hoffmann & Baron, LLP

(30) **Foreign Application Priority Data**

(57) **CLAIM**

Mar. 18, 2019 (WO) 81577

The ornamental design for a storage box, as shown and described.

(51) **LOC (13) Cl.** **03-01**

(52) **U.S. Cl.**
USPC **D3/294; D3/905**

DESCRIPTION

(58) **Field of Classification Search**

USPC D3/201, 217, 273, 276, 279, 283, 285,
D3/289, 290, 900, 902, 905, 257, 258,
D3/278, 318, 303, 254, 321, 216, 901;
D7/605, 607

CPC A45C 2003/008; A45C 2005/035; A45C
2003/007; A45C 13/02; A45C 11/02;
A45C 2200/10; A45C 2013/026; A45C
2013/025; B25H 3/02; B65F 1/04; B65F
1/08

See application file for complete search history.

FIG. 1 is a top perspective view of a storage box showing my new design;
FIG. 2 is a front view thereof;
FIG. 3 is a rear view thereof;
FIG. 4 is a right side view thereof;
FIG. 5 is a left side view thereof;
FIG. 6 is a top plan view thereof;
FIG. 7 is a bottom plan view thereof;
FIG. 8 is a top perspective view of an alternative embodiment of a storage box showing my new design;
FIG. 9 is a front view thereof;
FIG. 10 is a rear view thereof;
FIG. 11 is a right side view thereof;
FIG. 12 is a left side view thereof;
FIG. 13 is a top plan view thereof; and,
FIG. 14 is a bottom plan view thereof.

The broken lines are included for the purpose of illustrating portions that form no part of the claimed design.

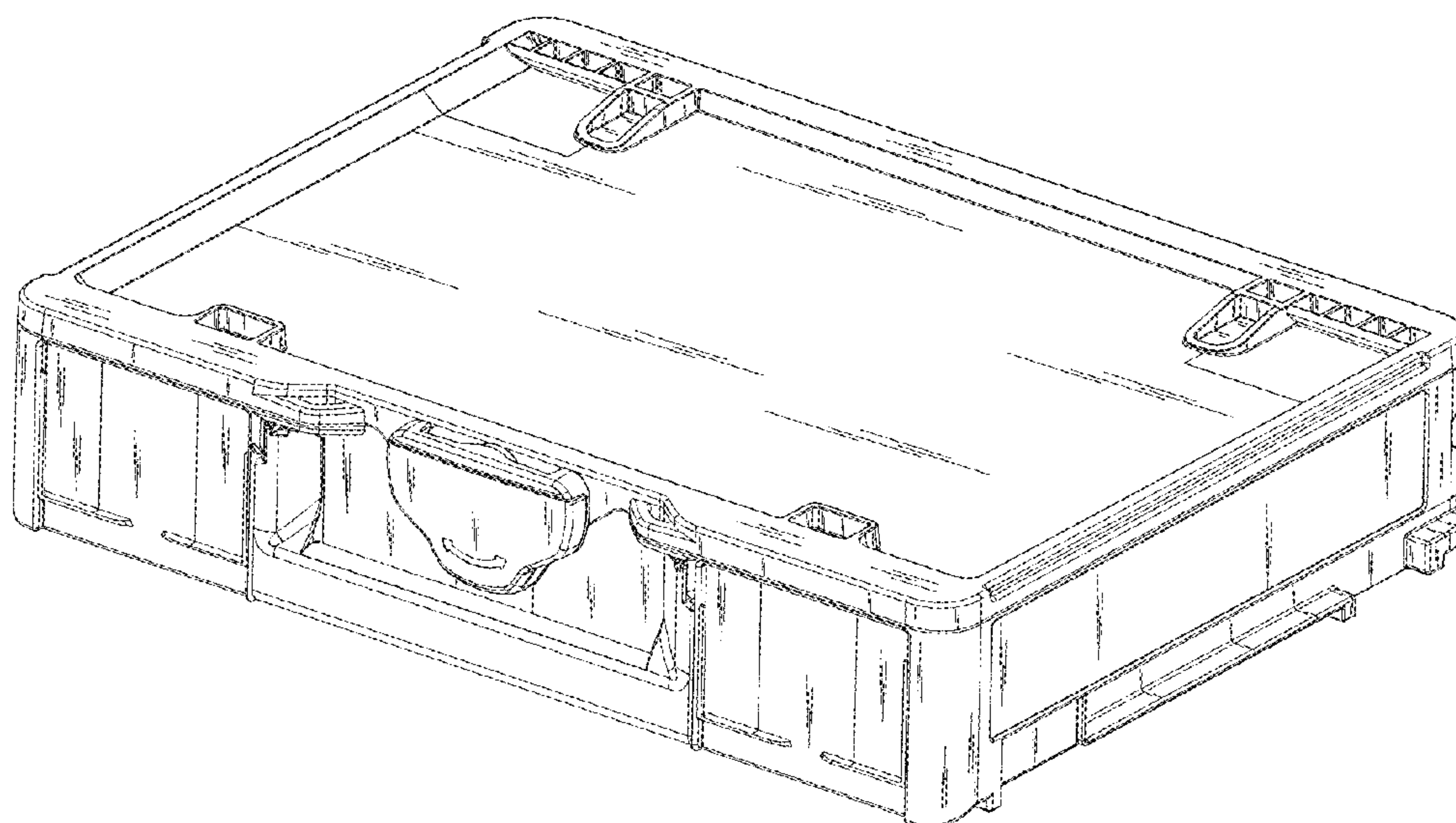
(56) **References Cited**

U.S. PATENT DOCUMENTS

D627,967 S * 11/2010 Kuhls D3/273
D731,183 S 6/2015 Kuhls
D803,561 S * 11/2017 Kuhls D3/281
D854,828 S * 7/2019 Dietsche D3/294

(Continued)

1 Claim, 14 Drawing Sheets



(56)

References Cited

U.S. PATENT DOCUMENTS

D899,087 S * 10/2020 Kuhls D3/294
D906,670 S * 1/2021 Kuhls D3/276
D918,580 S * 5/2021 Kogel D3/276
D920,671 S * 6/2021 Brunner D3/294
D923,938 S * 7/2021 Austin D3/315
2017/0121056 A1 * 5/2017 Wang B25H 3/02
2017/0318927 A1 * 11/2017 Kraus A45C 13/02
2020/0346819 A1 * 11/2020 Kogel B25H 3/02
2021/0154824 A1 * 5/2021 Barton A45C 13/02

OTHER PUBLICATIONS

Core77, "German Overdesign: Festool's Fancy New Systainer Organizers", Published Jan. 21, 2021. (<https://www.core77.com/posts/104339/German-Overdesign-Festools-Fancy-New-Systainer-Organizers>) (Year: 2021).*

Design U.S. Appl. No. 29/682,738, titled "Storage Box", filed Mar. 7, 2019.

Design U.S. Appl. No. 29/682,746, titled "Storage Box", filed Mar. 7, 2019.

* cited by examiner

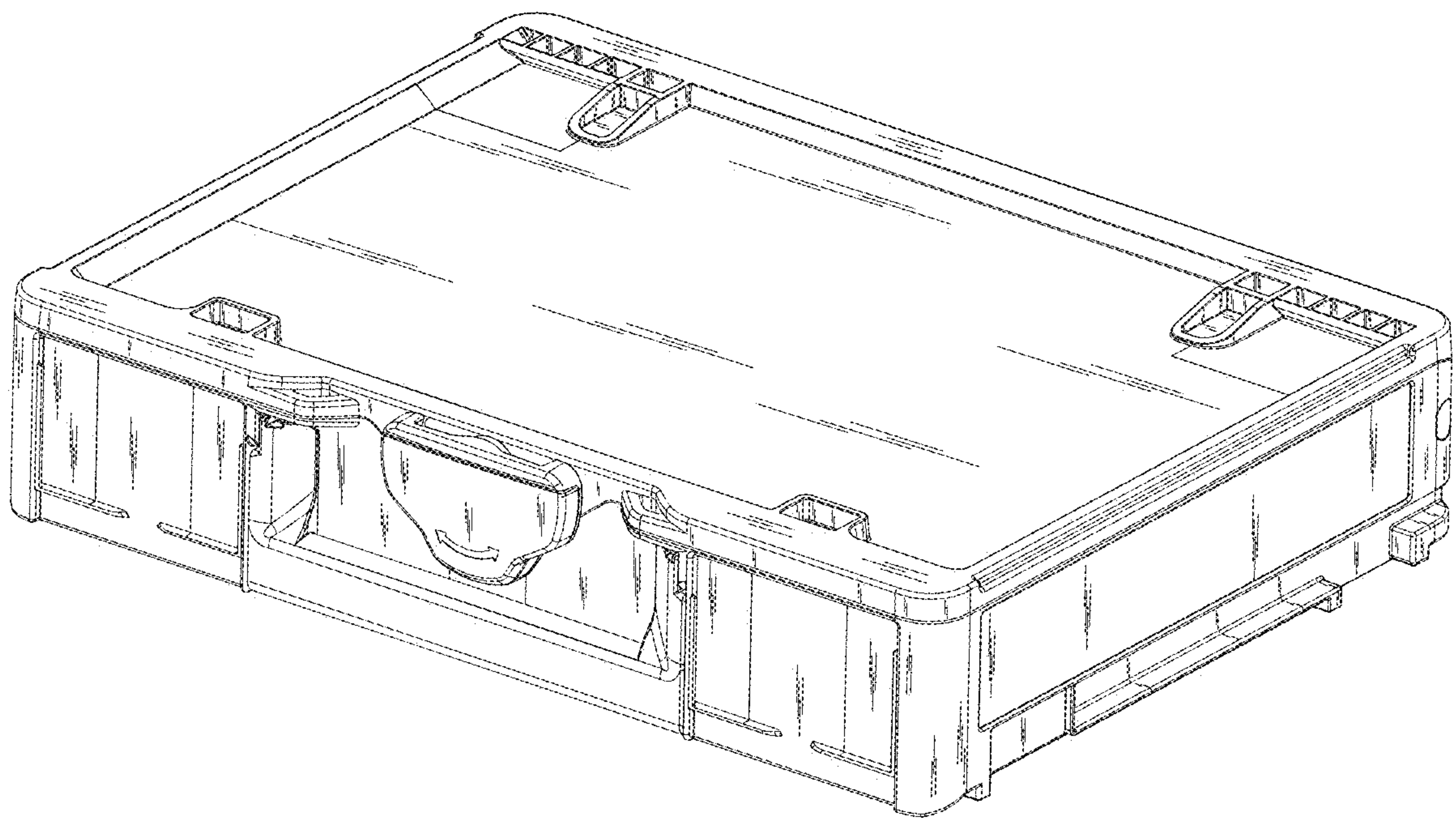


FIG. 1

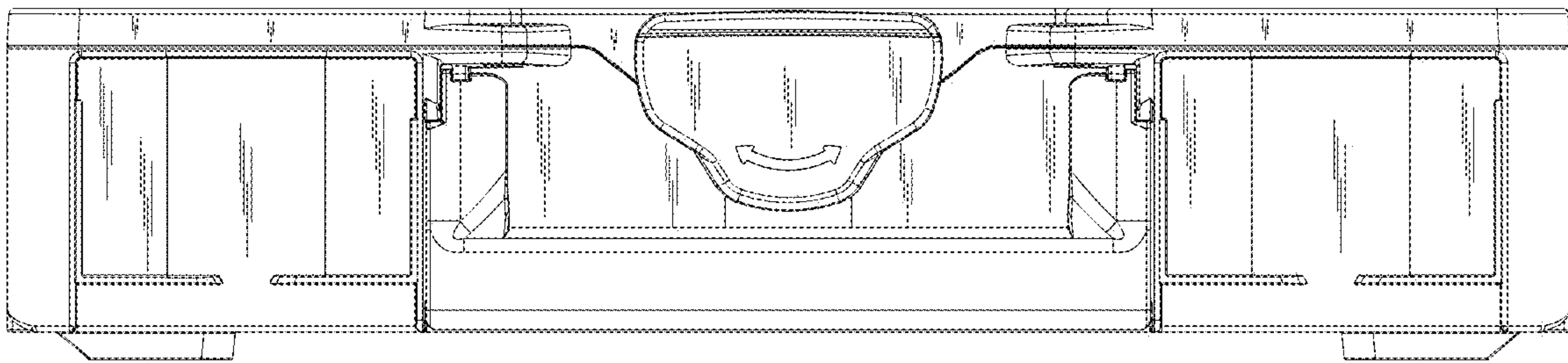


FIG. 2

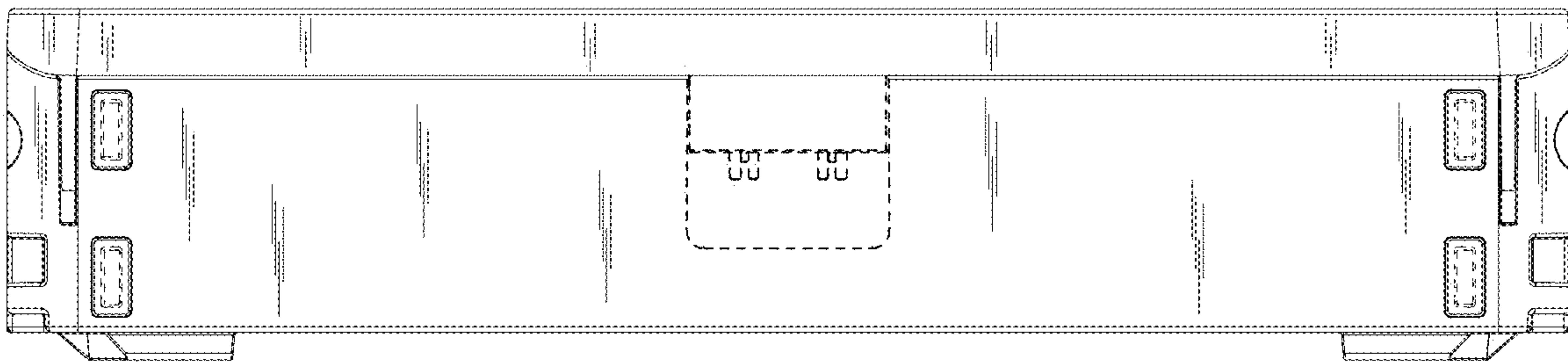


FIG. 3

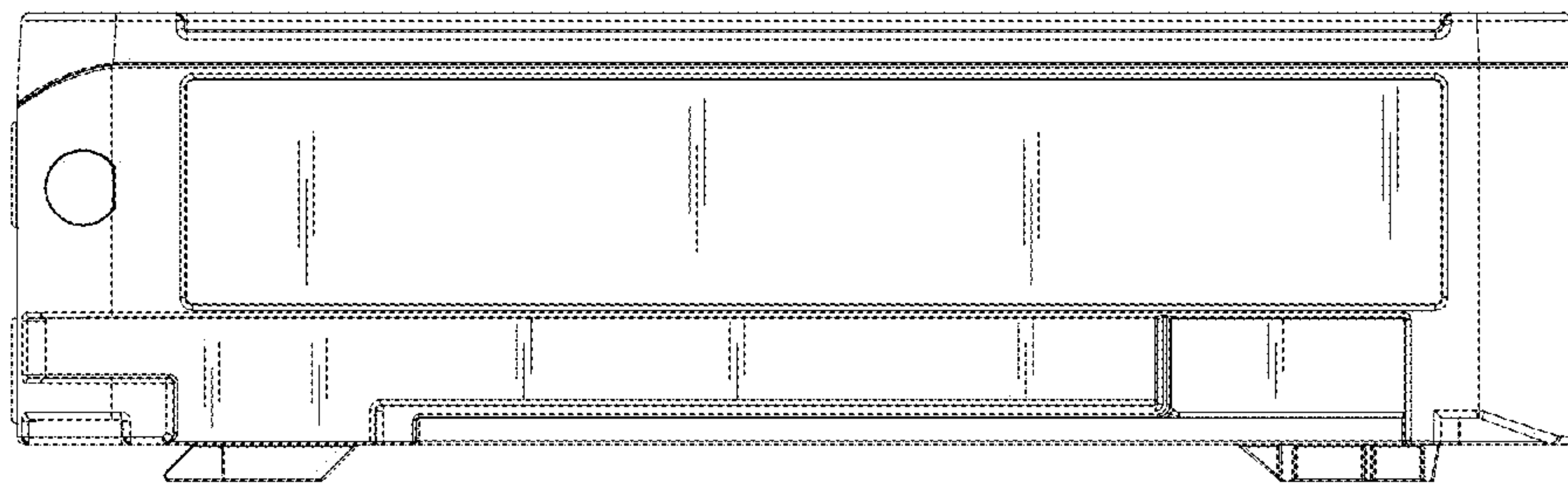


FIG. 4

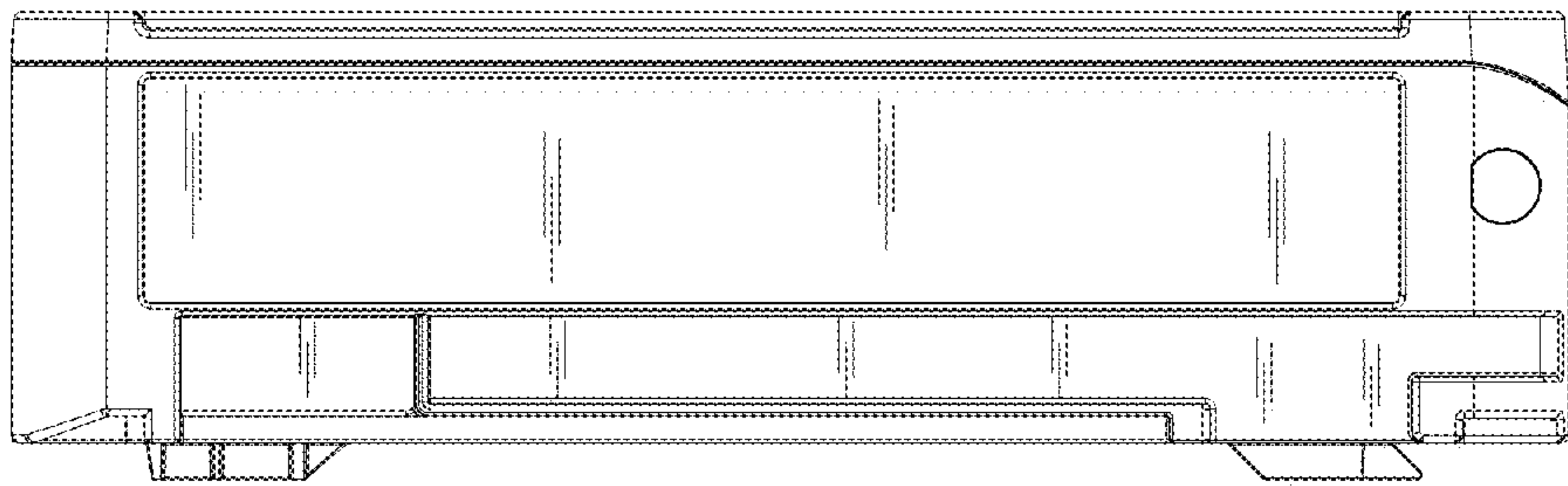


FIG. 5

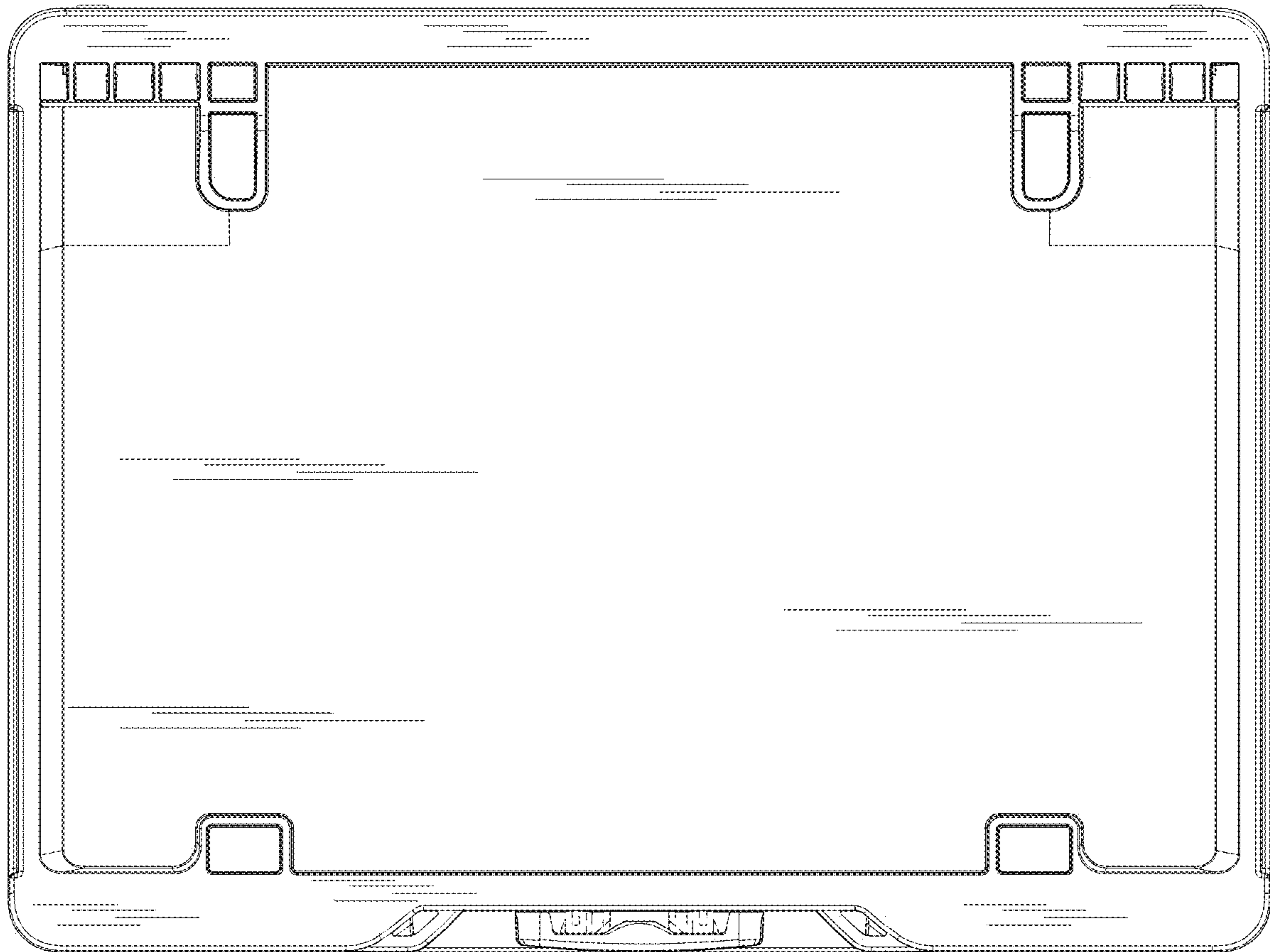


FIG. 6

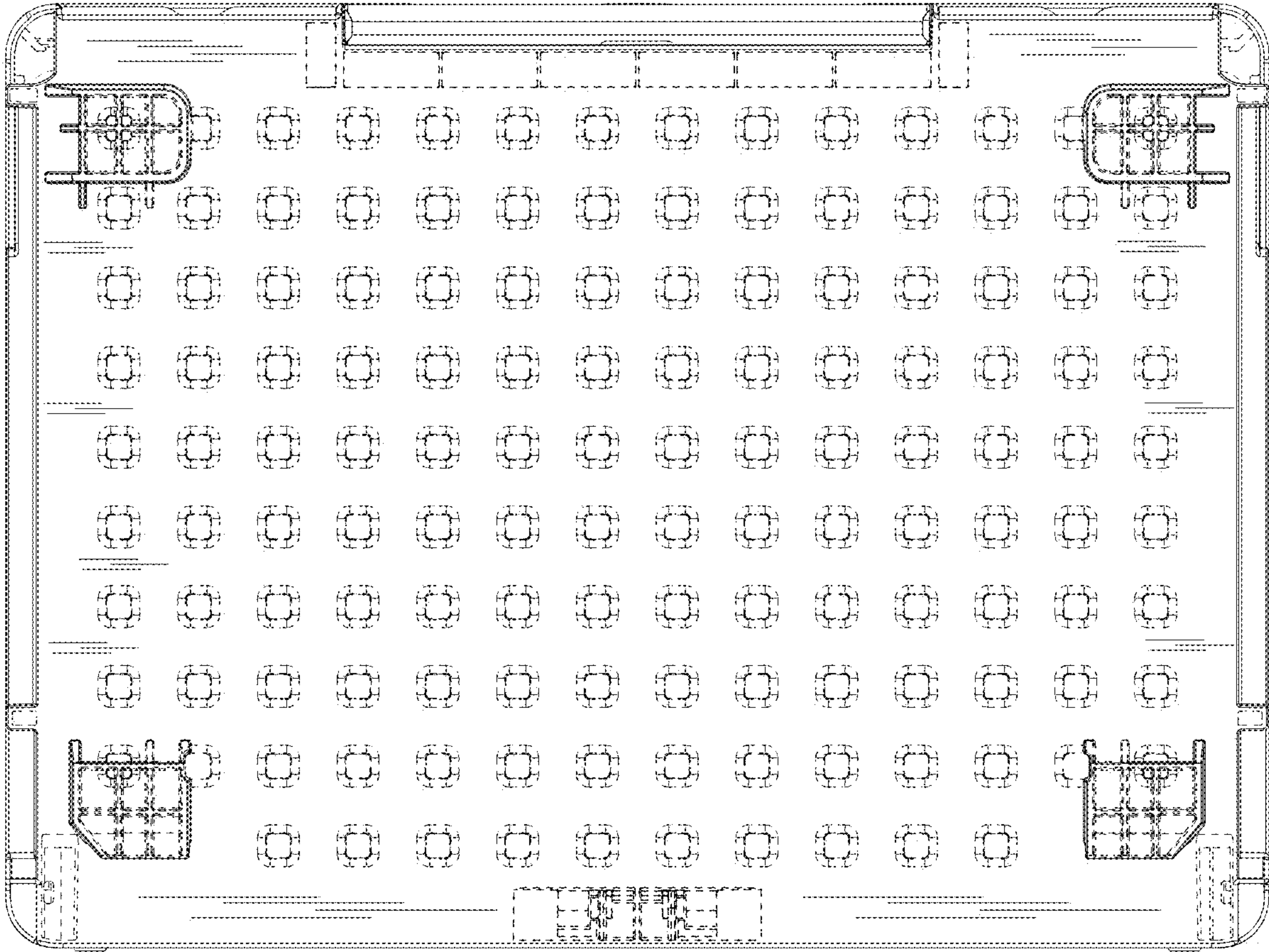


FIG. 7

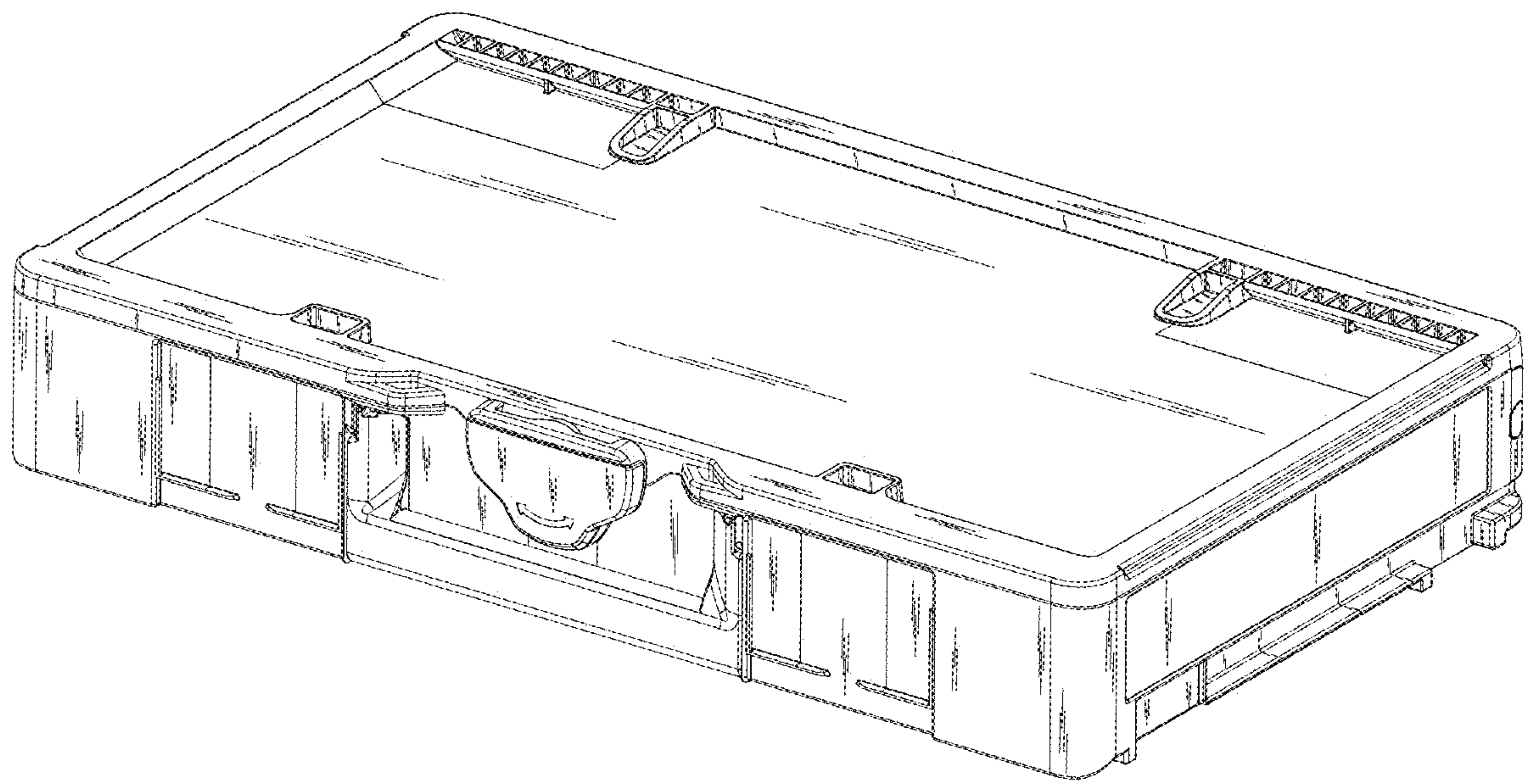


Fig. 8

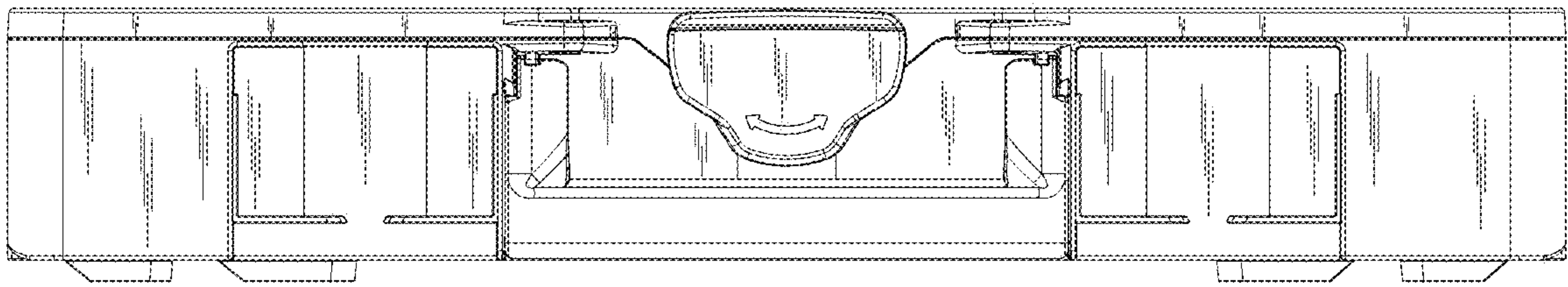


Fig. 9

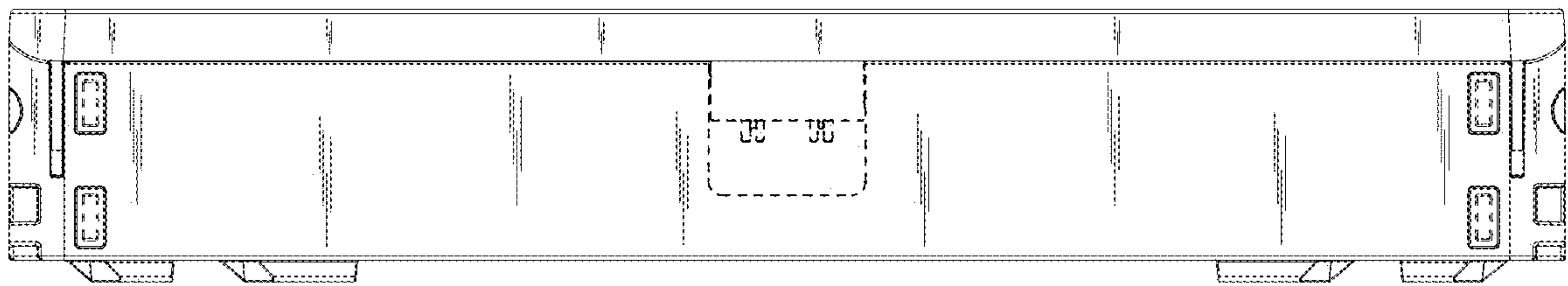


Fig. 10

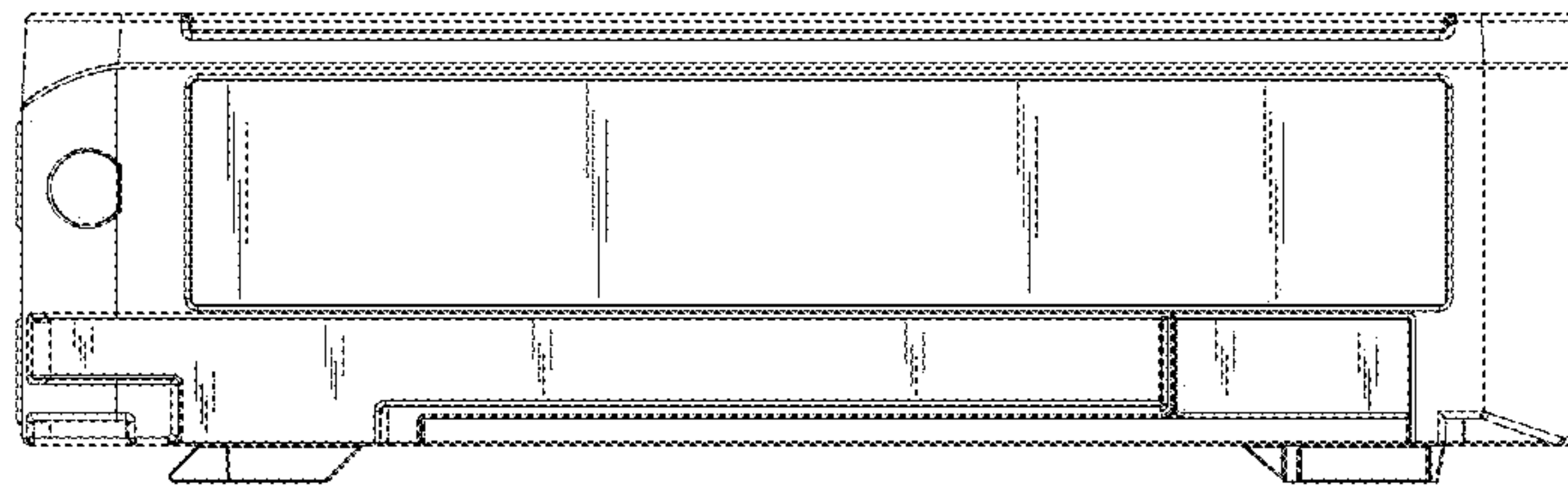


Fig. 11

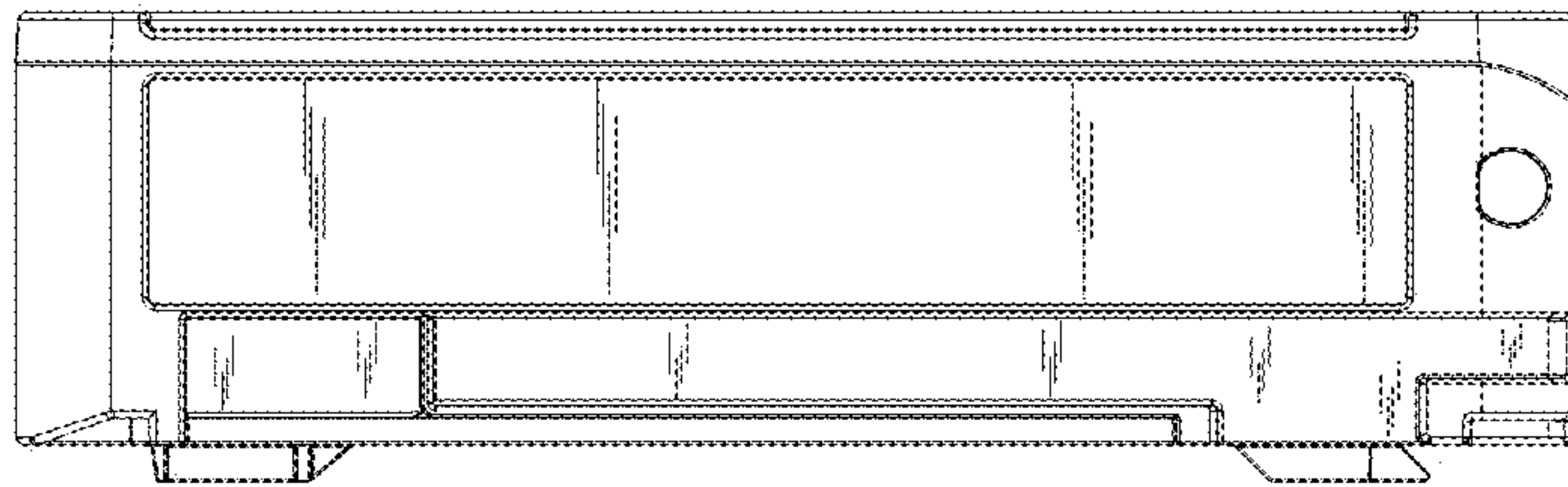


Fig. 12

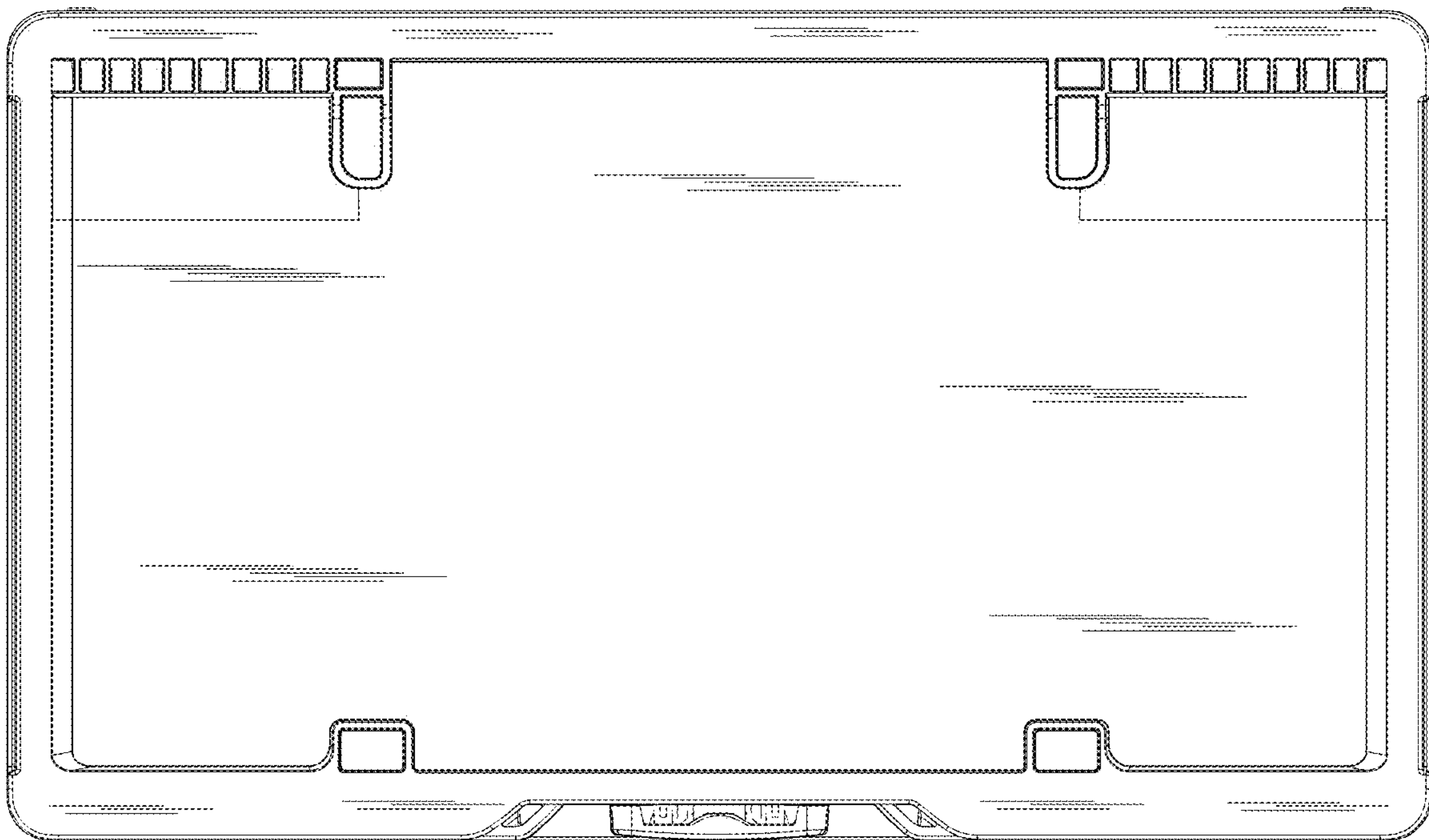


Fig. 13

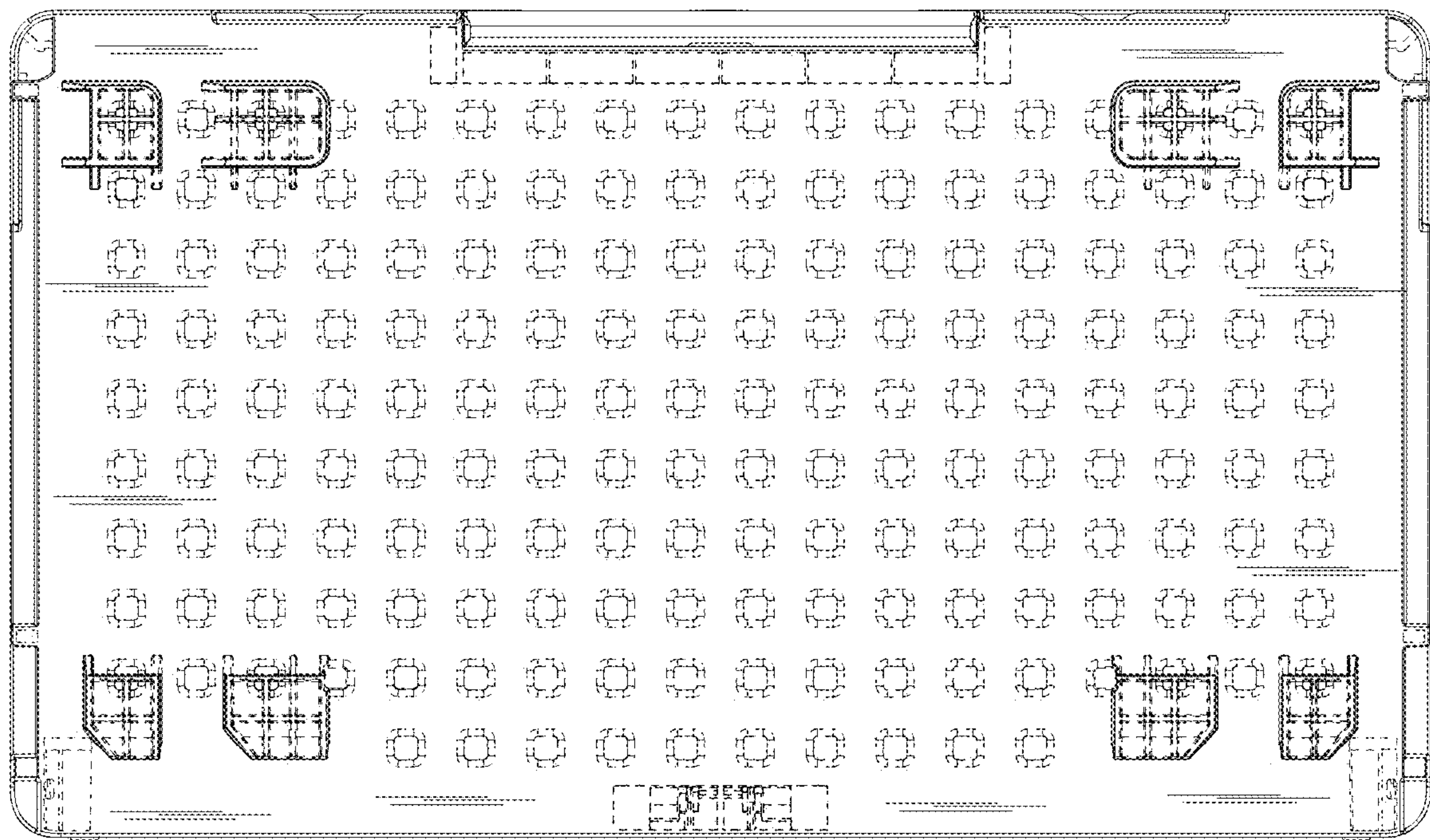


Fig. 14