



US00D938166S

(12) **United States Design Patent** (10) **Patent No.:** **US D938,166 S**
Kemp (45) **Date of Patent:** **** Dec. 14, 2021**

(54) **COLLECTIBLE DISPLAY CASE**

OTHER PUBLICATIONS

(71) Applicant: **Vaulted Vinyl LLC**, Waterloo, IA (US)
(72) Inventor: **Shane A. Kemp**, Waterloo, IA (US)
(73) Assignee: **Vaulted Vinyl LLC**, Waterloo, IA (US)
(**) Term: **15 Years**

Amazon, "GosuToys Clear Plastic Protector Case Compatible for 4-inch Funko Pop Figures (40 Pack)", First reviewed Dec. 14, 2017. (<https://www.amazon.com/Gosu-Toys-Plastic-Protector-Compatible/dp/B076VV1Z2K>) (Year: 2017).*
Facebook, Photos, User @VaultedVinyl. Posted Jun. 1-2, 2018. (https://www.facebook.com/pg/VaultedVinyl/photos/?ref=page_internal) (Year: 2018).*

(21) Appl. No.: **29/696,342**

* cited by examiner

(22) Filed: **Jun. 27, 2019**

Primary Examiner — April Rivas

(51) **LOC (13) Cl.** **03-01**

(74) *Attorney, Agent, or Firm* — Blank Rome LLP

(52) **U.S. Cl.**
USPC **D3/286; D3/284**

(57) **CLAIM**

(58) **Field of Classification Search**
USPC D3/272, 273, 276, 279, 282, 284, 291,
D3/294, 302, 900, 905, 903, 286
CPC B25H 3/02; B65D 25/54
See application file for complete search history.

The ornamental design for a collectible display case, as shown and described.

DESCRIPTION

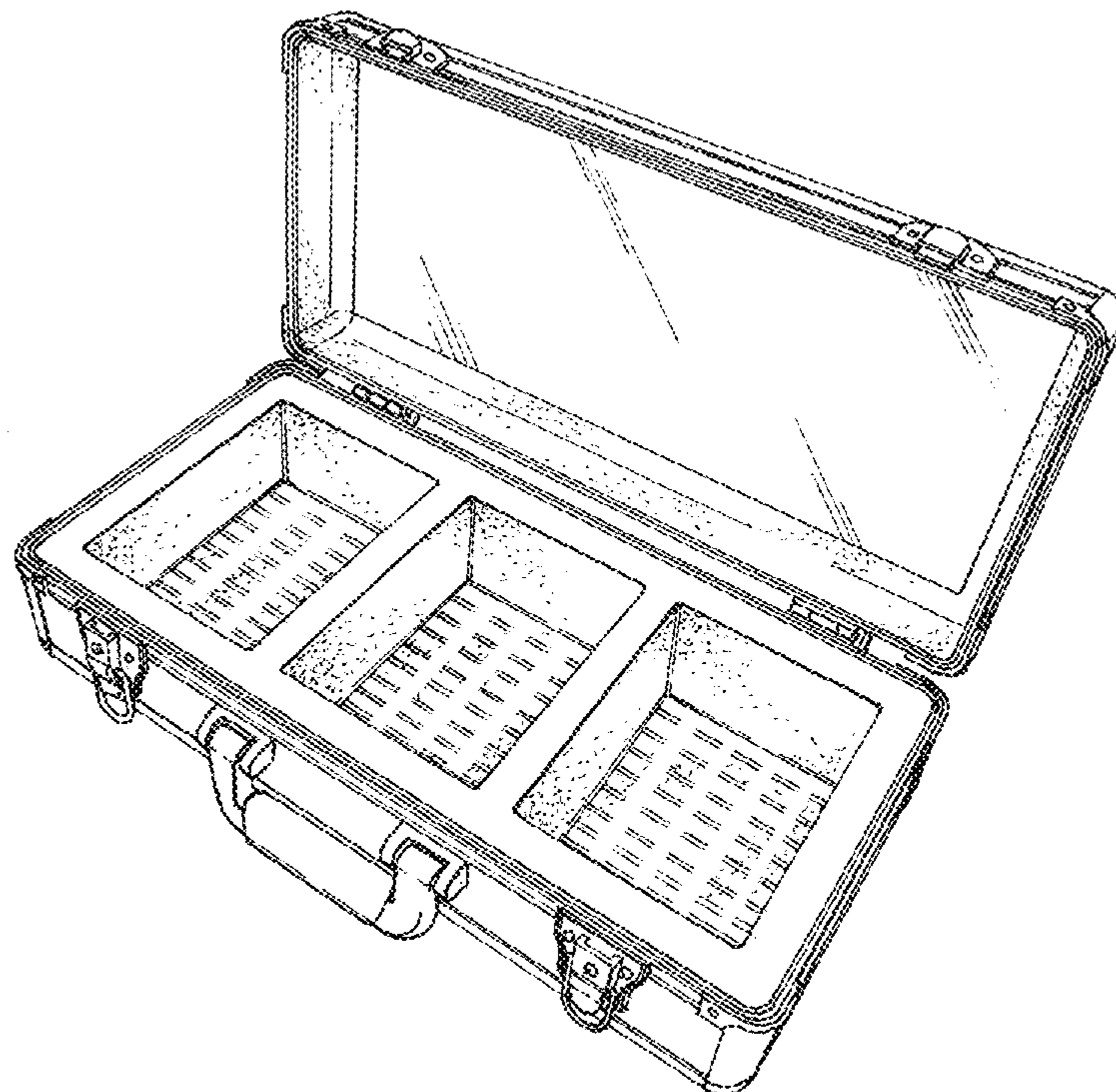
(56) **References Cited**

FIG. 1 is a perspective view of a collectible display case of my design showing the interior thereof in an open position; FIG. 2 is a front perspective view thereof in a closed position; FIG. 3 is a top view thereof in the open position; FIG. 4 is a right side perspective view thereof in the open position; FIG. 5 is a left side perspective view in the open position; FIG. 6 is a front perspective view thereof in the close position; FIG. 7 is a bottom view thereof; and, FIG. 8 is a rear view thereof in a closed position.

U.S. PATENT DOCUMENTS

D340,803 S *	11/1993	Bradford	D3/283
D406,462 S *	3/1999	Emery, III	D3/276
D421,525 S *	3/2000	Lee	D3/276
D463,911 S *	10/2002	Chen	D3/282
D467,425 S *	12/2002	Hardigg	D3/276
D467,426 S *	12/2002	Hardigg	D3/276
D499,883 S *	12/2004	Perella	D3/276
D619,808 S *	7/2010	Huang	D3/276
D669,684 S *	10/2012	Johnson	D3/284
D677,465 S *	3/2013	Cenzano	D3/276
D813,538 S *	3/2018	Gabrielyan	D3/282
D873,005 S *	1/2020	DeCarlo	D3/276
D873,014 S *	1/2020	Shechtman	D3/283

1 Claim, 5 Drawing Sheets



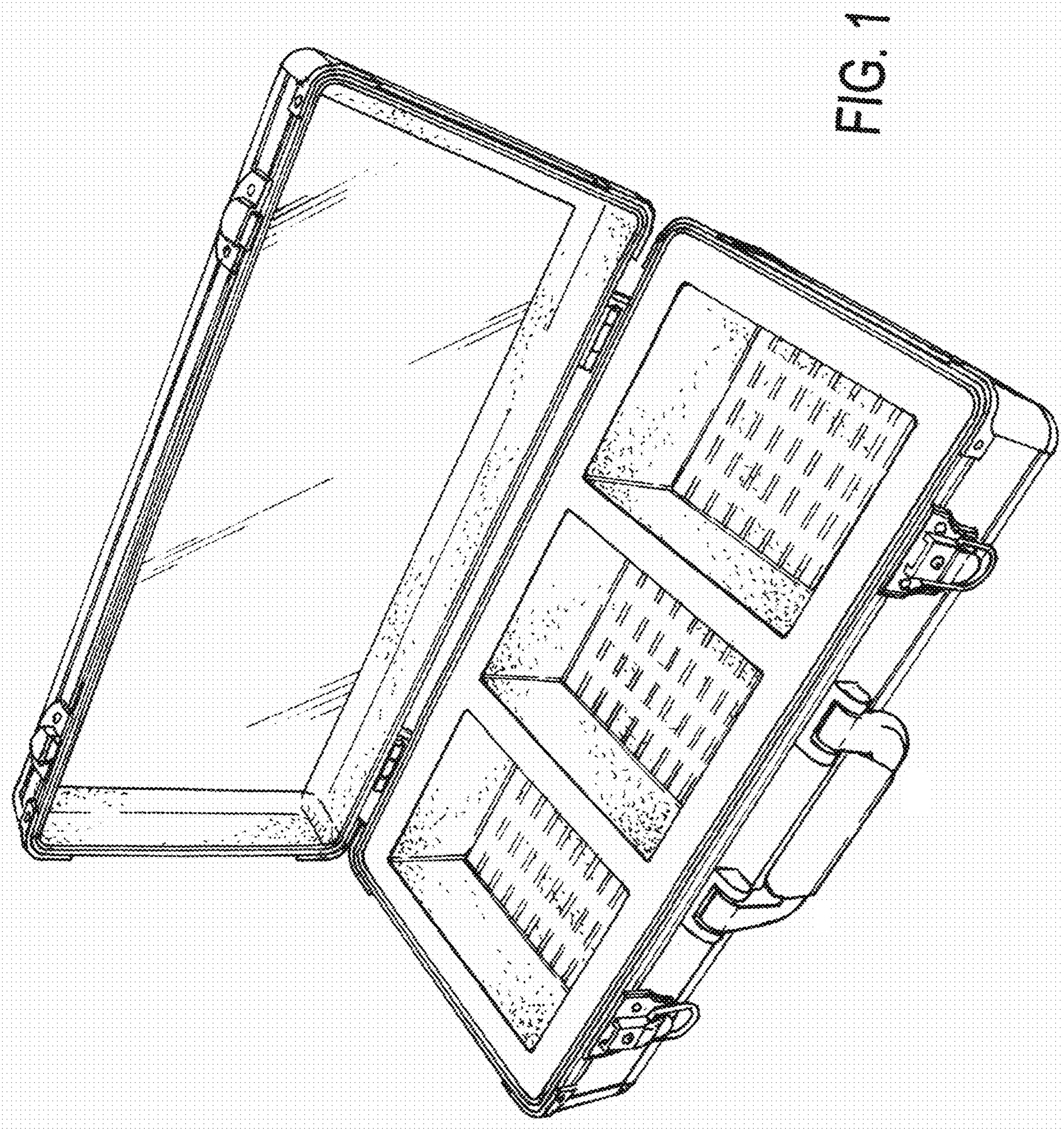


FIG. 1

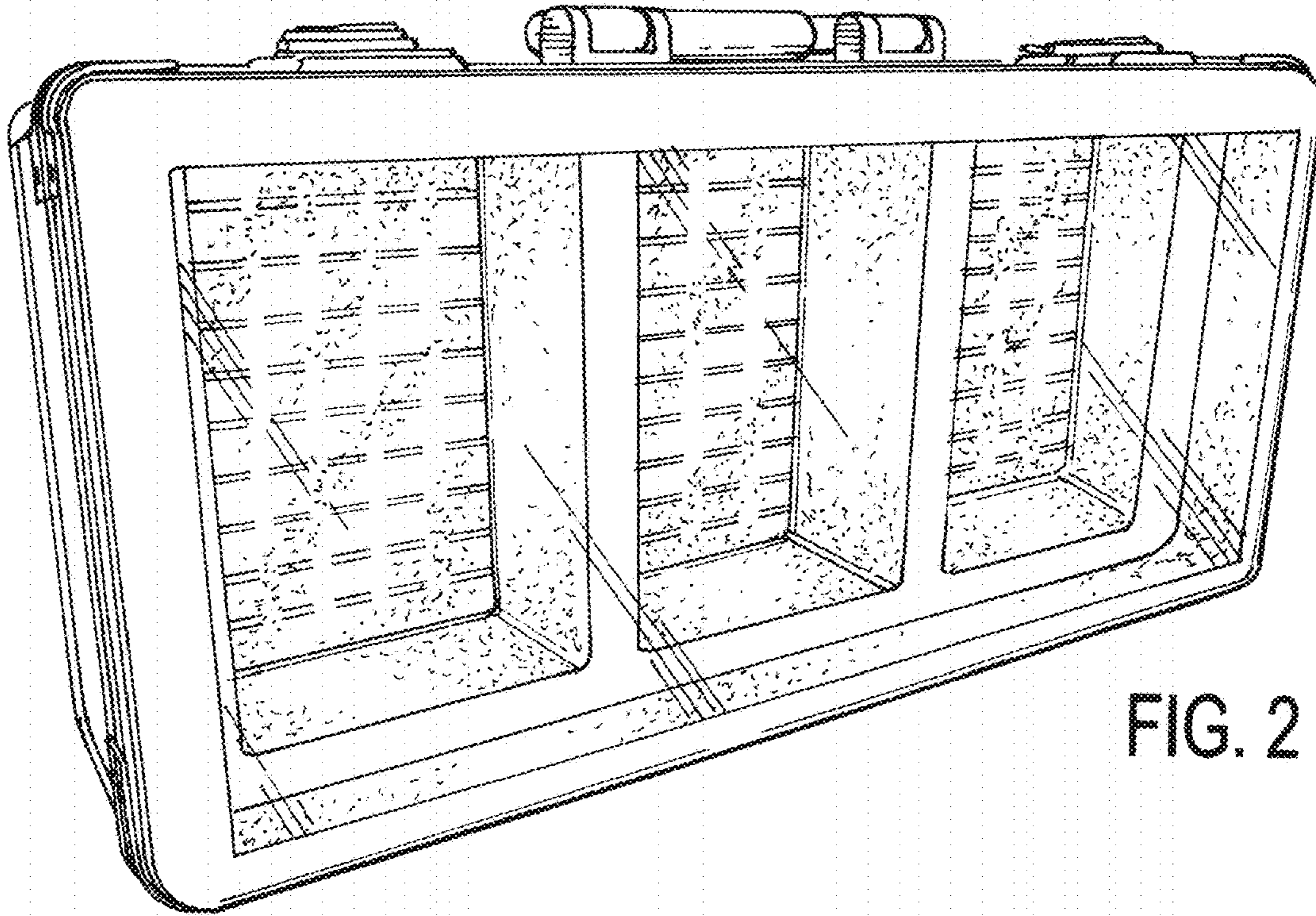


FIG. 2

FIG. 3

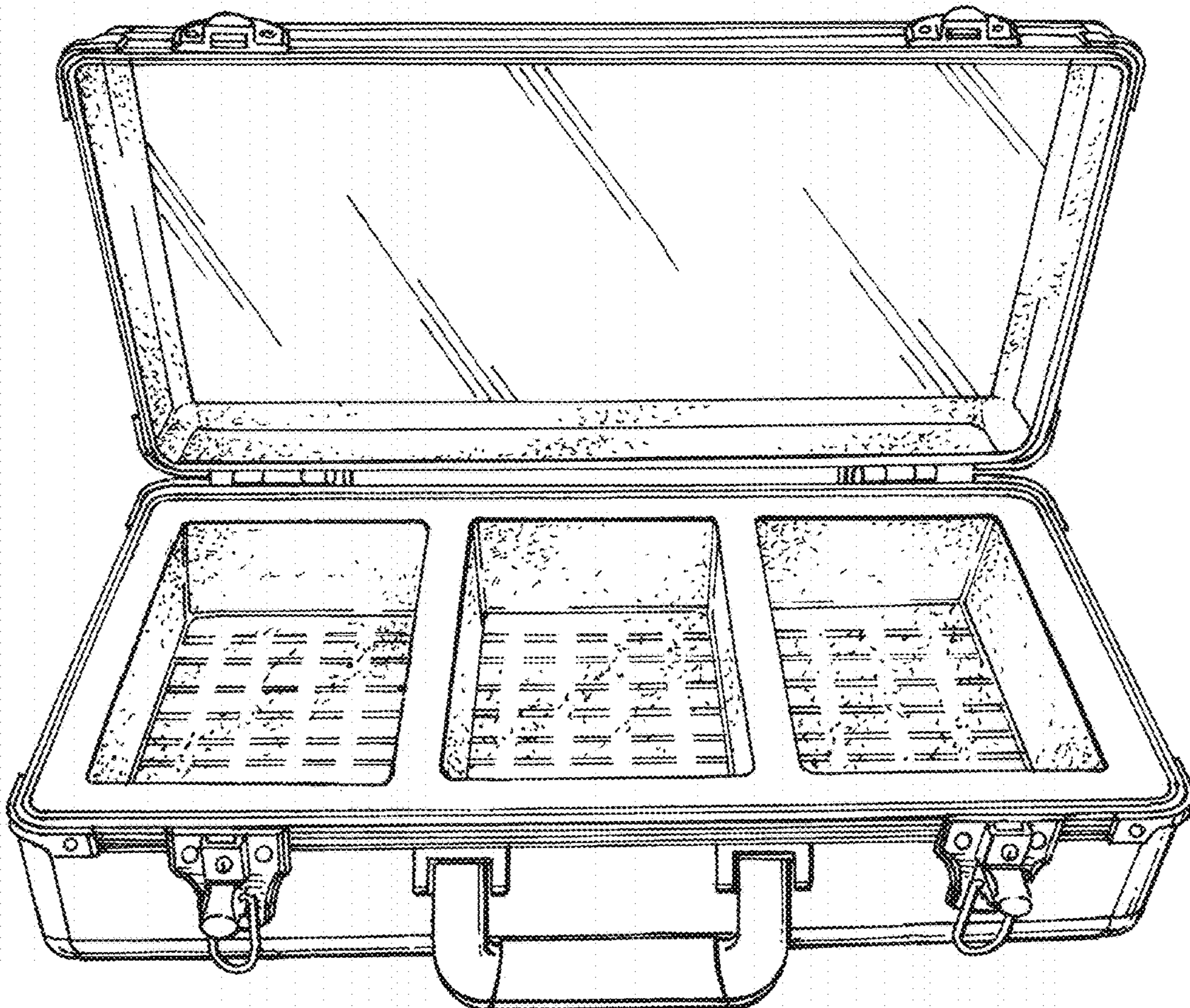


FIG. 4

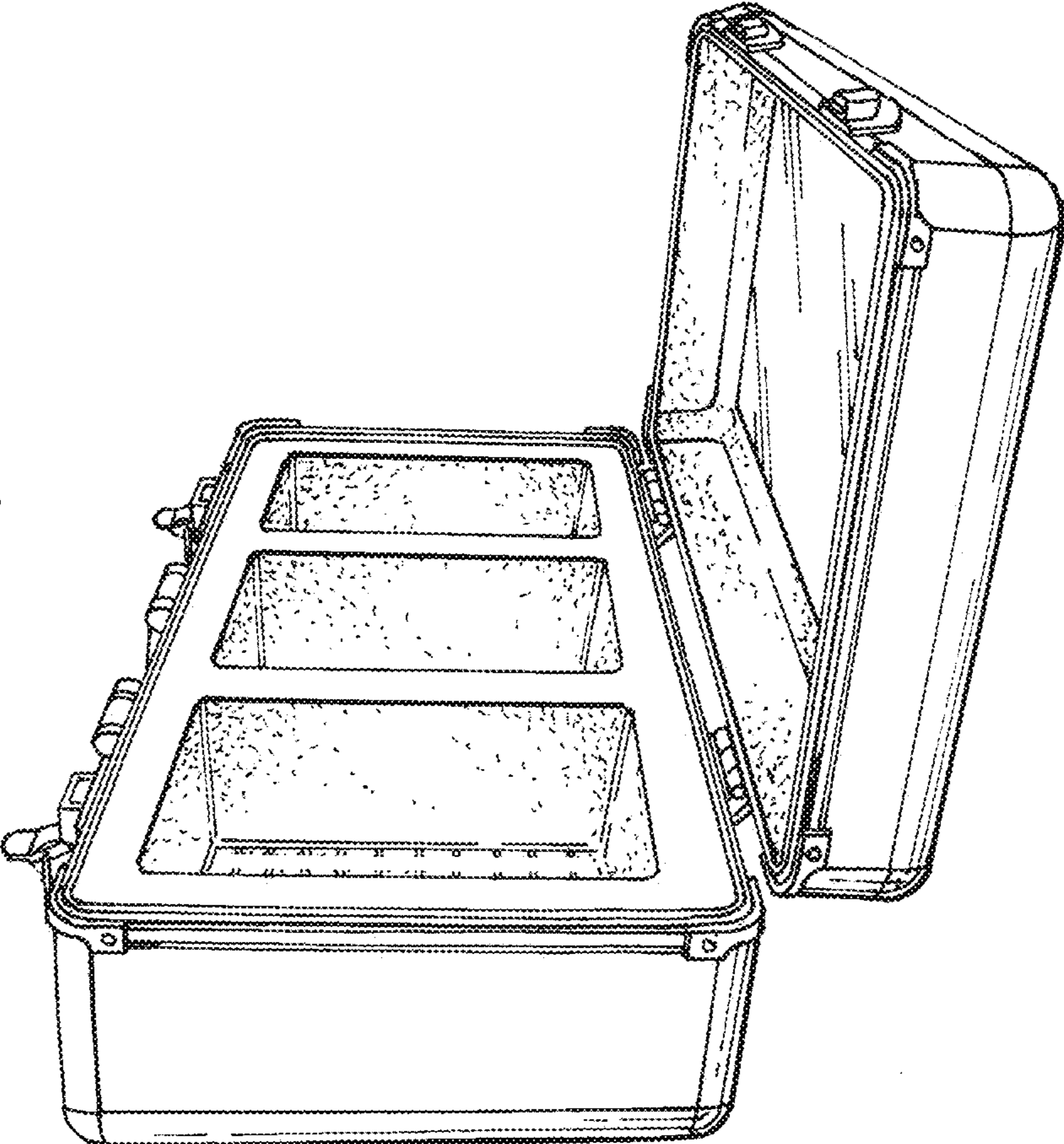
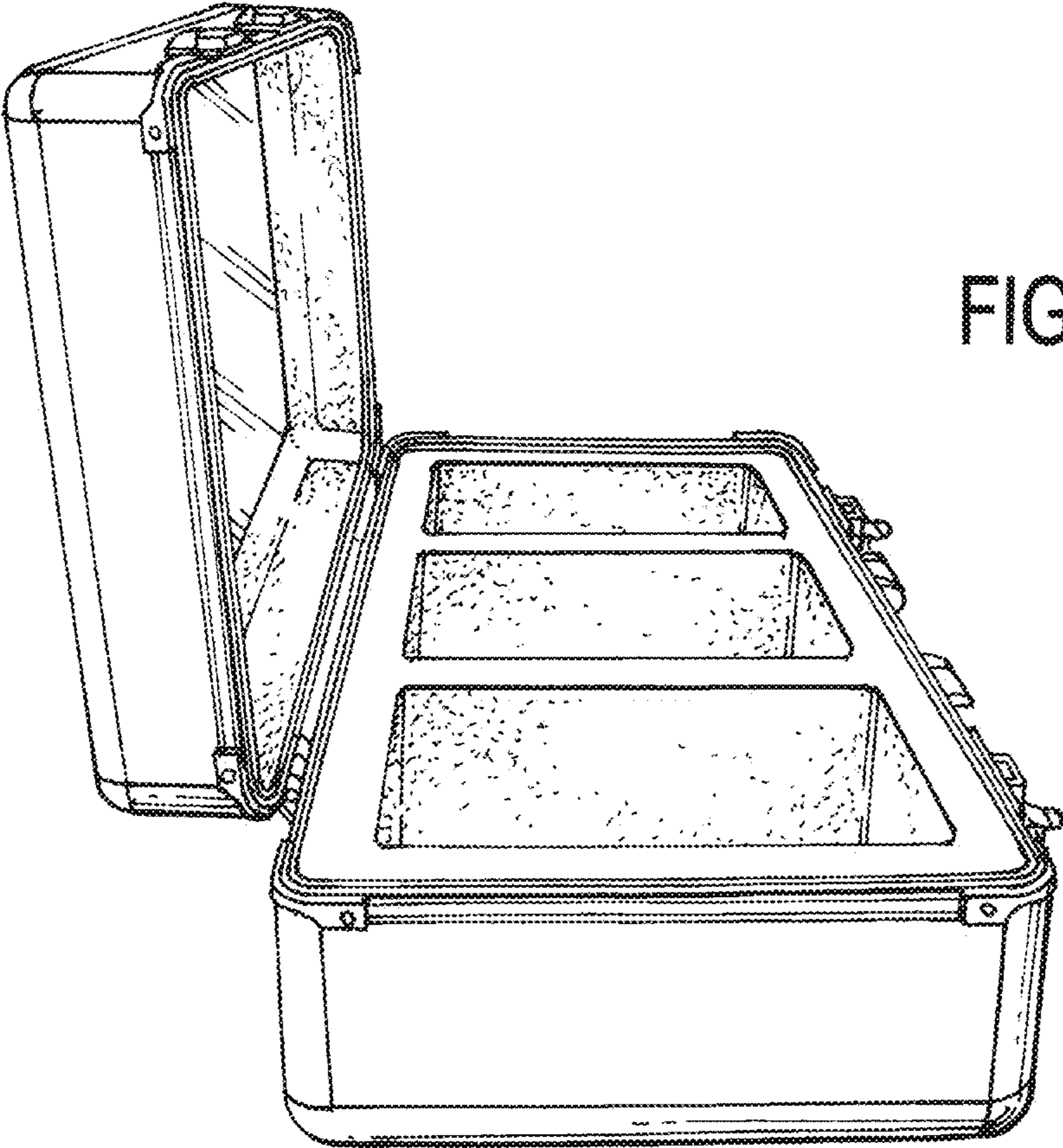


FIG. 5



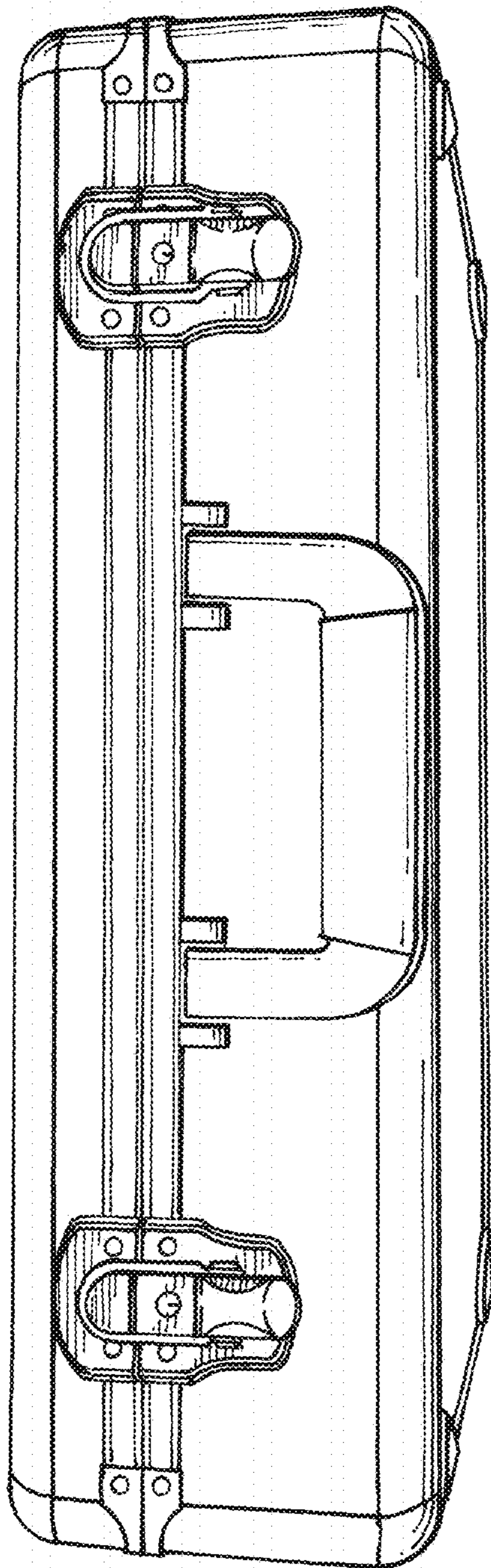


FIG. 6

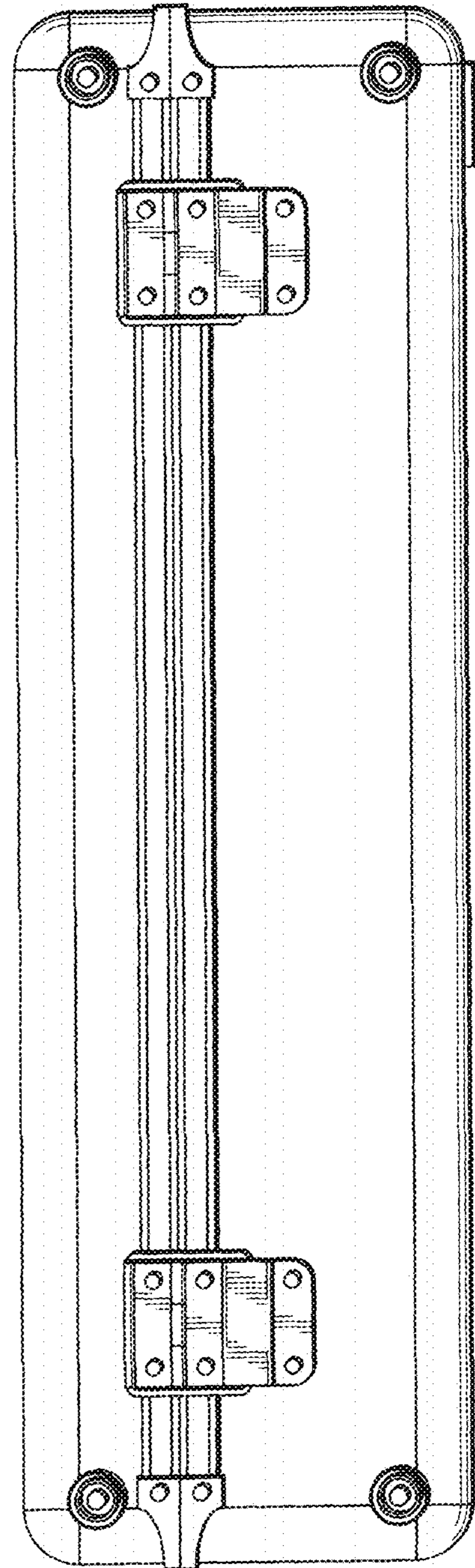


FIG. 8

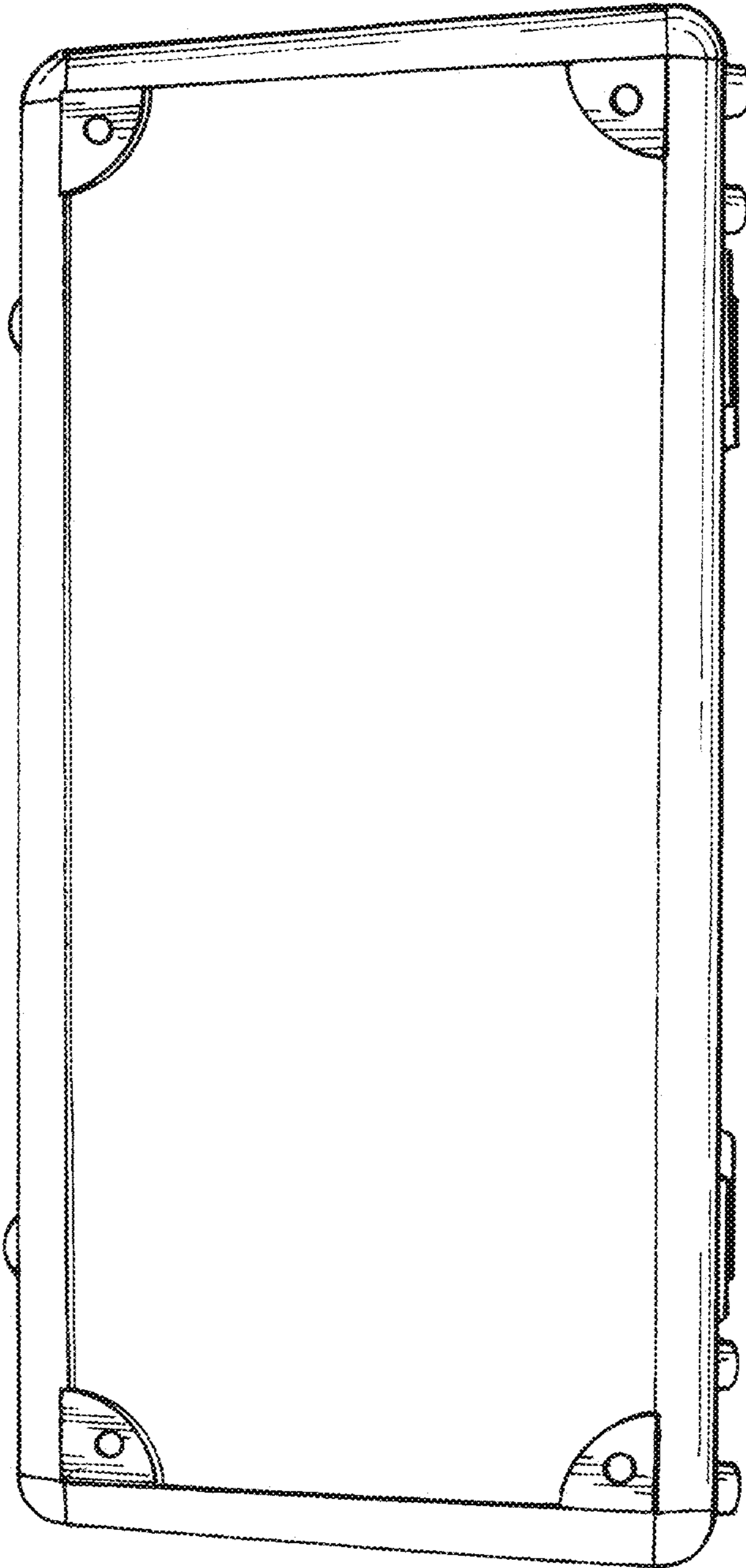


FIG. 7