



US00D938165S

(12) **United States Design Patent** (10) **Patent No.:** **US D938,165 S**
Schillings (45) **Date of Patent:** **** Dec. 14, 2021**

(54) **CREDIT CARD HOLDER**
(71) Applicant: **Breuer & Schillings GbR**, Würselen (DE)
(72) Inventor: **Sebastian Schillings**, Würselen (DE)
(73) Assignee: **Breuer & Schillings GbR**, Würselen (DE)

D716,049 S * 10/2014 Fair D3/303
D718,932 S * 12/2014 Gross D3/247
D724,319 S * 3/2015 Ziegler D3/247
D734,390 S * 7/2015 Christensen D19/26
D736,520 S * 8/2015 Gross D3/300
D746,059 S * 12/2015 Gross D3/303
D756,642 S * 5/2016 Gross D3/247
D842,604 S * 3/2019 Bo D3/247
D842,605 S * 3/2019 Bo D3/247

(Continued)

(**) Term: **15 Years**

FOREIGN PATENT DOCUMENTS

(21) Appl. No.: **29/739,318**

EM 006954467-0001 1/2019

(22) Filed: **Jun. 24, 2020**

OTHER PUBLICATIONS

(51) **LOC (13) Cl.** **03-01**

(52) **U.S. Cl.**

USPC **D3/247**

(58) **Field of Classification Search**

USPC D3/47, 249–250, 253, 300, 303;

D14/250–253

CPC ... A45C 11/182; A45C 2011/002; A45C 1/06;

A45C 2011/186; A45C 11/18

See application file for complete search history.

“Valonic RFID blocking sleeves”, first available Aug. 17, 2020, amazon.com, site visited Jul. 21, 2021: <https://www.amazon.com/valonic-blocking-sleeves-horizontal-protection/dp/B08G1FQFCJ> (Year: 2020).*

Primary Examiner — Jennifer L Watkins

Assistant Examiner — Samantha Lynne Brodowski

(74) *Attorney, Agent, or Firm* — Frost Brown Todd LLC; Dennis S. Schell

(56) **References Cited**

U.S. PATENT DOCUMENTS

D209,035 S * 10/1967 Robert D6/314

3,958,690 A * 5/1976 Gee, Sr. A61F 17/00

206/232

D285,938 S * 9/1986 Ventres, Jr. 402/79

4,942,913 A * 7/1990 Musso A45C 1/06

150/138

D403,152 S * 12/1998 Parad D3/247

D431,719 S * 10/2000 Mucarquer D3/247

D509,654 S * 9/2005 Miller D3/247

D509,955 S * 9/2005 Williams D3/247

D515,134 S * 2/2006 Stewart, III D19/9

D541,964 S * 5/2007 Tseng D26/37

D637,648 S * 5/2011 Ringl D19/86

D653,851 S * 2/2012 Flyvholm D3/247

D670,498 S * 11/2012 Phillips D3/300

8,567,460 B1 * 10/2013 Lentsch A45C 11/182

150/147

(57) **CLAIM**

The ornamental design for a credit card holder, as shown and described.

DESCRIPTION

FIG. 1 is an isometric view of the front-left side of the credit card holder;

FIG. 2 is a rear view thereof;

FIG. 3 is a front view thereof;

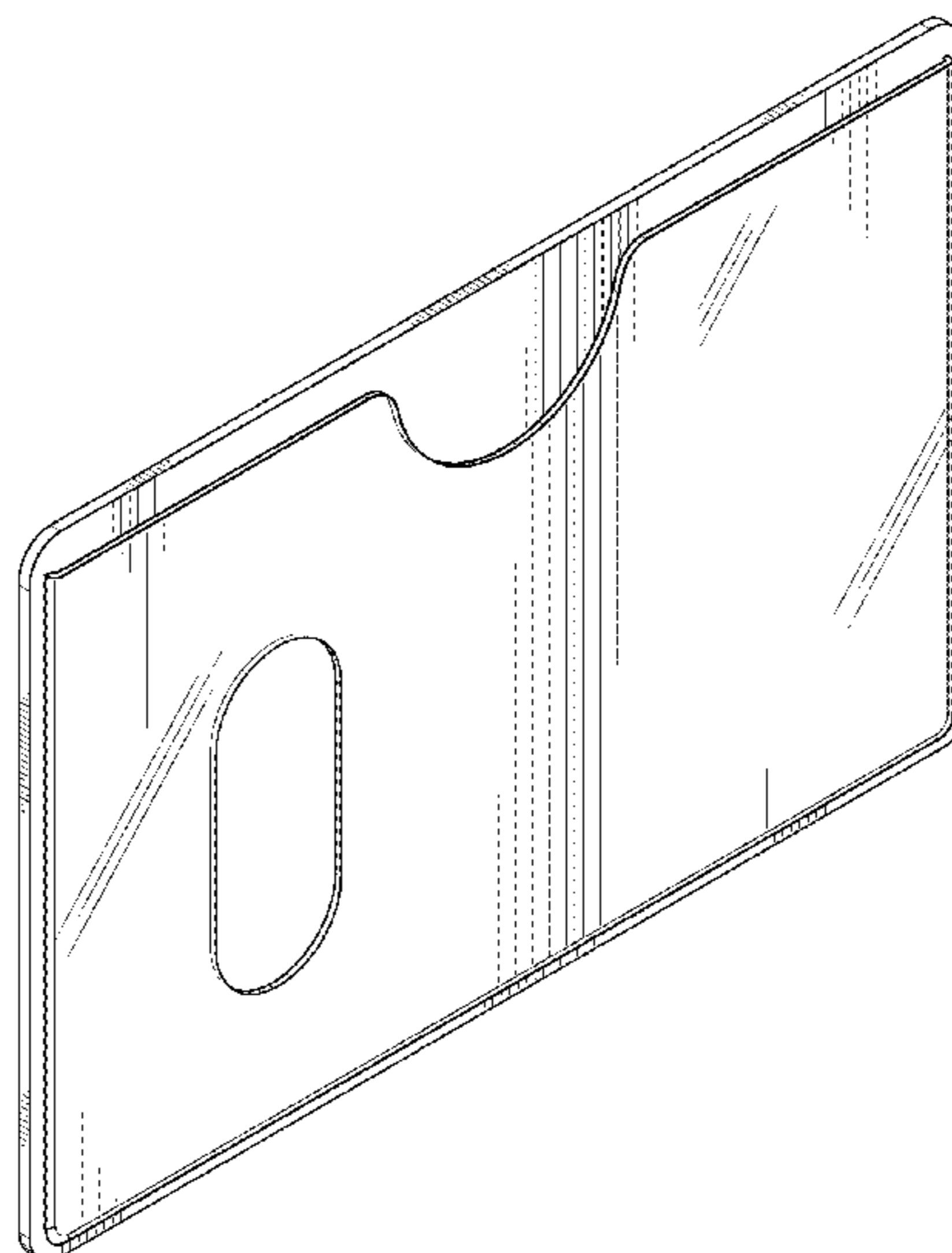
FIG. 4 is a top view thereof;

FIG. 5 is a bottom view thereof;

FIG. 6 is a right side view thereof; and,

FIG. 7 is a left side view thereof.

1 Claim, 5 Drawing Sheets



(56)

References Cited

U.S. PATENT DOCUMENTS

10,420,403 B1 * 9/2019 Calder A45C 11/182
D878,039 S * 3/2020 Cantoli-Alves D3/247

* cited by examiner

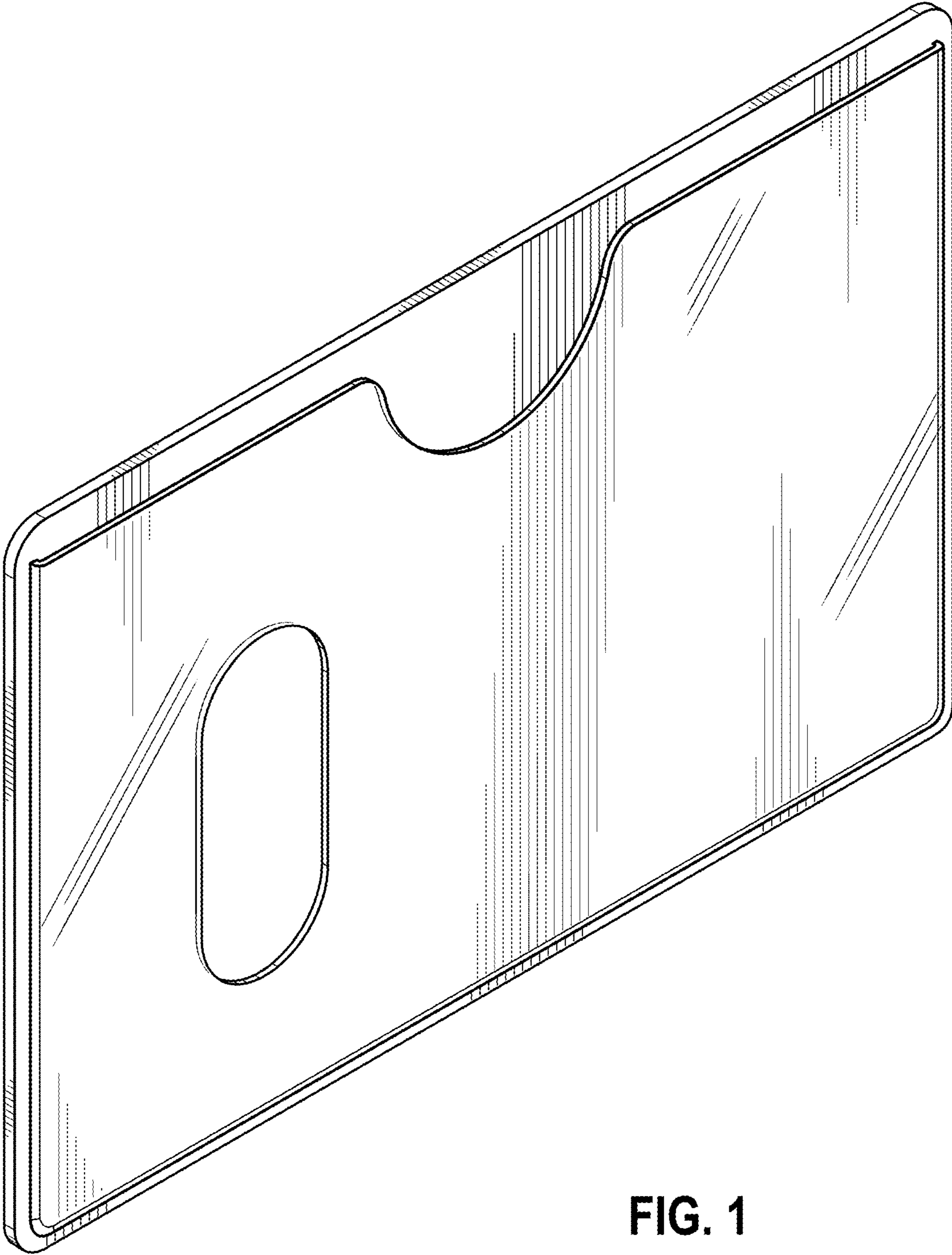


FIG. 1

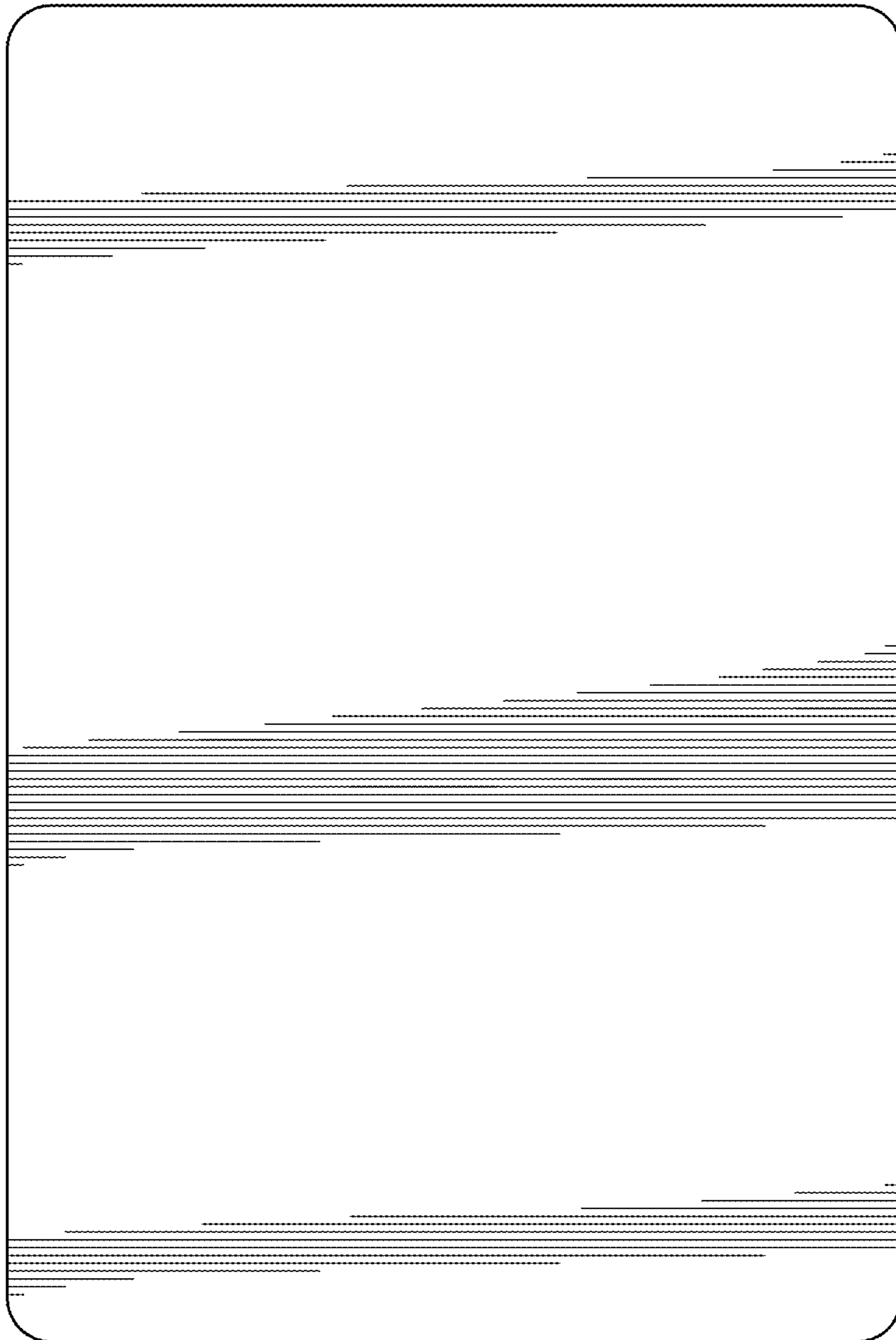


FIG. 2

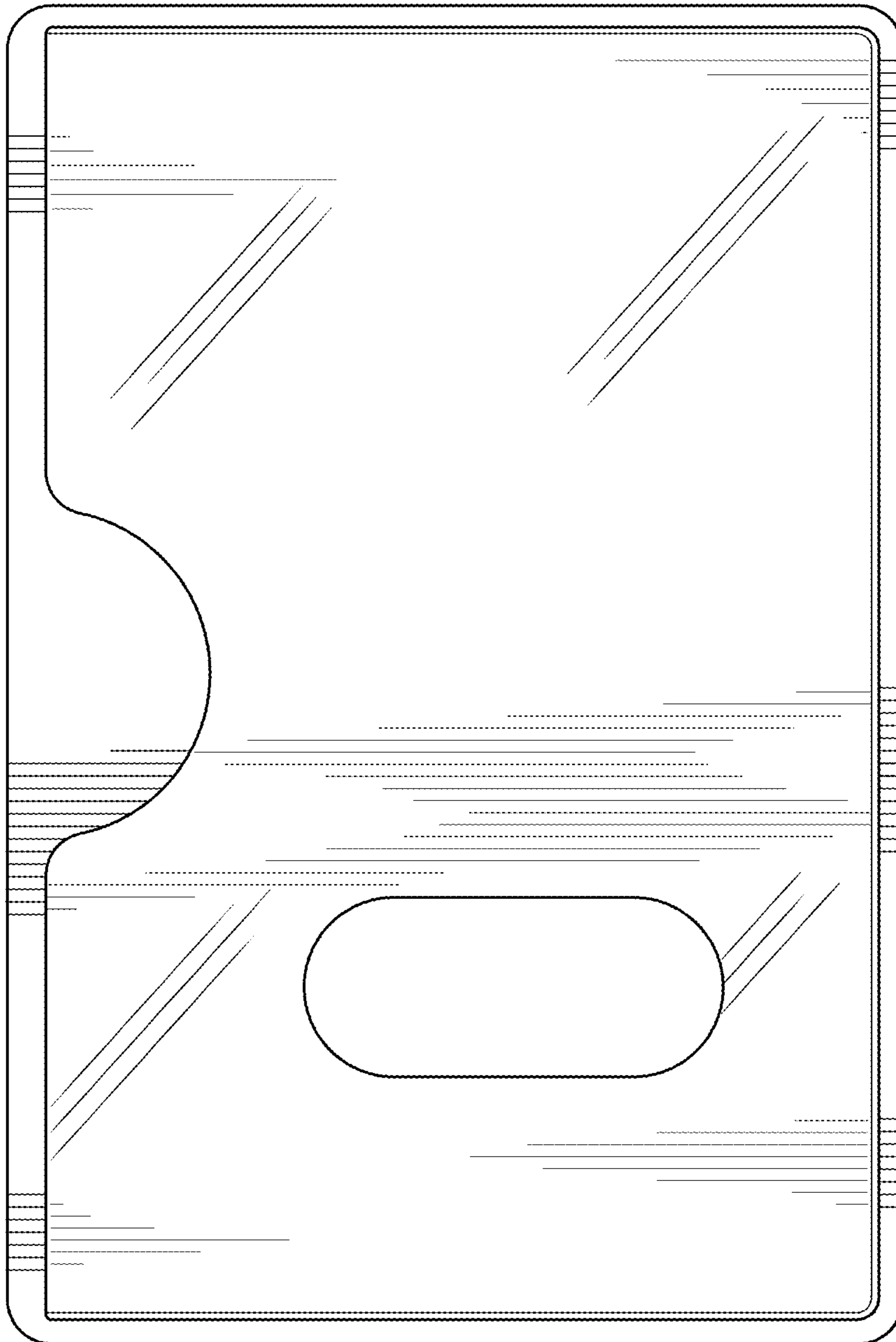


FIG. 3



FIG. 4



FIG. 5



FIG. 6

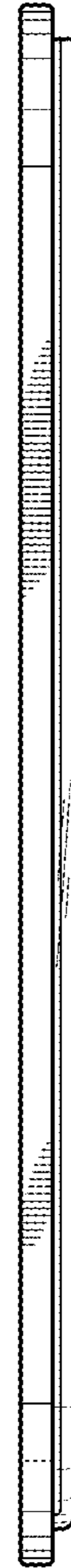


FIG. 7