



US00D938164S

(12) **United States Design Patent** (10) **Patent No.:** **US D938,164 S**
Orciani (45) **Date of Patent:** **** Dec. 14, 2021**

(54) **BACKPACK**
(71) Applicant: **ORCIANI S.P.A.**, Fano (IT)
(72) Inventor: **Federica Orciani**, Fano (IT)
(**) Term: **15 Years**
(21) Appl. No.: **35/509,990**
(22) Filed: **Jul. 13, 2020**
(80) **Hague Agreement Data**
Int. Filing Date: **Jul. 13, 2020**
Int. Reg. No.: **DM/209525**
Int. Reg. Date: **Jul. 13, 2020**
Int. Reg. Pub. Date: **Aug. 7, 2020**
(51) **LOC (13) Cl.** **03-01**
(52) **U.S. Cl.**
USPC **D3/217**
CPC **A45C 1/00** (2013.01)
(58) **Field of Classification Search**
USPC D3/201, 215–218, 226, 232–233,
D3/239–246, 247, 249–253, 254, 260,
D3/269, 271.12, 272–302, 307, 315, 318,
D3/319, 321–324, 326–328, 905
CPC .. A45C 1/00; A45C 1/02; A45C 1/024; A45C
1/04; A45C 1/06; A45C 2001/022; A45C
2001/083; A45C 2001/086; A45C
2001/101; A45C 2001/067; A45C
2001/102; A45C 3/00; A45C 3/001; A45C
3/04; A45C 3/045; A45C 3/06; A45C
3/10; A45C 5/00; A45C 5/03; A45C 5/04;
A45C 5/06; A45C 5/08; A45C 5/14;
A45C 5/141; A45C 5/146; A45C
2005/032; A45C 2005/035; A45C
2005/037; A45C 2005/142; A45C
2005/147; A45C 2005/148; A45C 7/00;
A45C 7/0018; A45C 7/005; A45C
7/0045; A45C 7/0054; A45C 7/0059;
A45C 7/0095; A45C 2011/001; A45C
2011/002; A45C 2011/003; A45C 11/20;
A45C 13/02; A45C 13/03; A45C
2013/025; A45C 2013/026

See application file for complete search history.

(56) **References Cited**
U.S. PATENT DOCUMENTS
1,653,246 A * 12/1927 Zichy A47D 5/006
206/223
2,324,194 A * 7/1943 Campiglia A61F 17/00
224/623
2,428,795 A * 10/1947 Frazee A45F 4/12
224/153
4,513,866 A * 4/1985 Thomas A45C 9/00
190/110
4,609,084 A * 9/1986 Thomas A45C 9/00
190/110
D308,916 S * 7/1990 Dinham D12/416
D312,349 S * 11/1990 Pogue D12/133
D324,953 S * 3/1992 Swanner D12/416
D338,779 S * 8/1993 Albert D12/416
D360,182 S * 7/1995 Lovett D12/409
5,649,658 A * 7/1997 Hoffman A45F 3/04
190/2
D386,300 S * 11/1997 Kopel D3/217
5,694,860 A * 12/1997 Xiao A45F 4/02
108/38

(Continued)

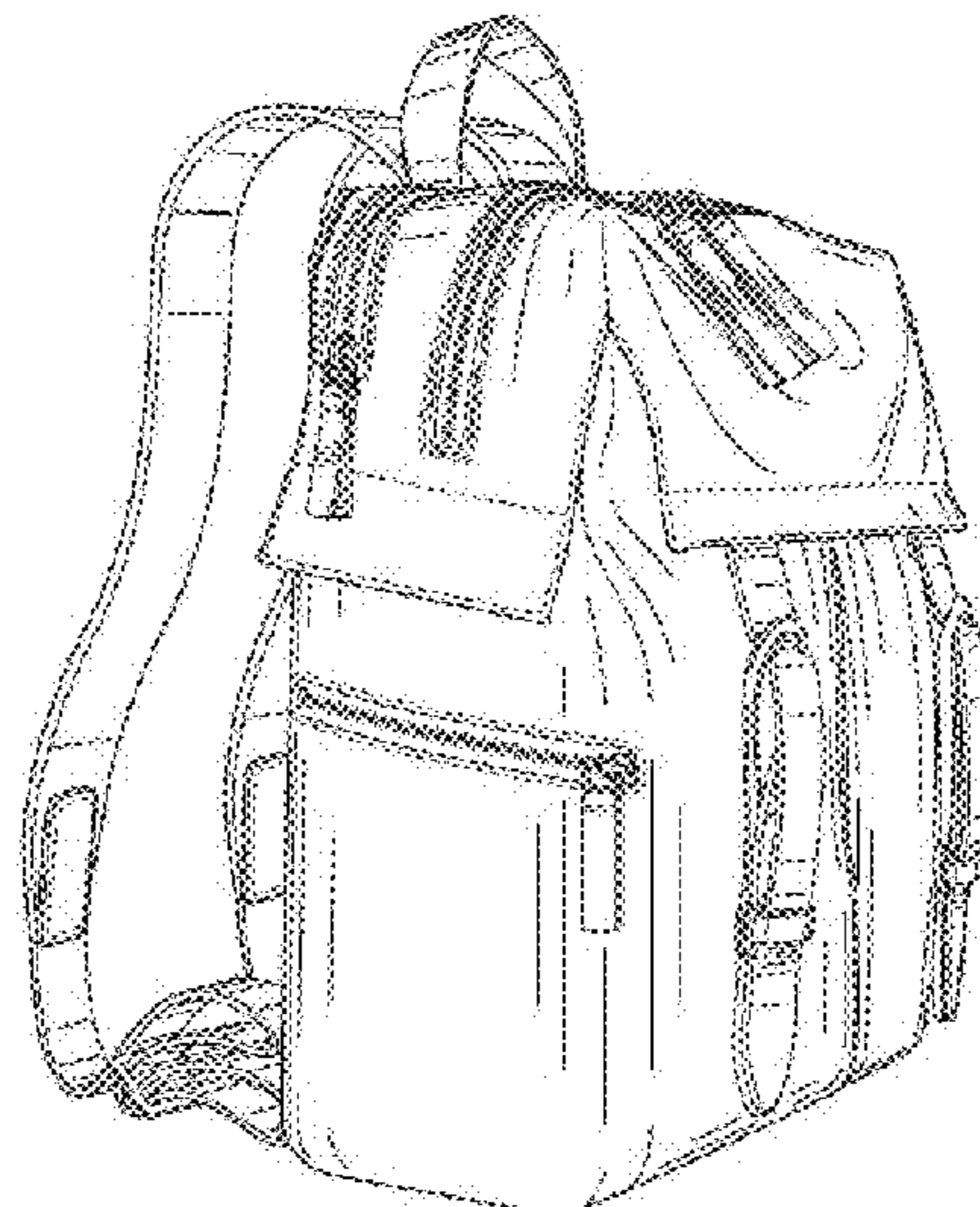
Primary Examiner — Richard E Chilcot

(57) **CLAIM**
The ornamental design for backpack, as shown and described.

DESCRIPTION

1. Backpack
1.1 : Perspective
1.2 : Front
1.3 : Back
1.4 : Left
1.5 : Right
1.6 : Top
1.7 : Bottom
The broken lines in the reproductions represent stitching, which forms part of the claimed design.

1 Claim, 7 Drawing Sheets



(56)

References Cited

U.S. PATENT DOCUMENTS

D389,115 S * 1/1998 Alves D12/416
 D412,311 S * 7/1999 Silvershein D12/416
 5,988,465 A * 11/1999 Vitale A45C 15/00
 224/153
 D419,520 S * 1/2000 Bergh D12/416
 D425,474 S * 5/2000 Bergh D12/416
 D430,534 S * 9/2000 Golenz D12/416
 D435,343 S * 12/2000 Eskandry D3/283
 6,161,738 A * 12/2000 Norris A45C 9/00
 109/49.5
 6,174,082 B1 * 1/2001 Pelky A45C 3/02
 150/114
 6,193,118 B1 * 2/2001 Kearl A45C 7/0095
 108/43
 D441,190 S * 5/2001 Eskandry D3/216
 6,230,952 B1 * 5/2001 Jupiter A45F 3/04
 150/113
 6,315,178 B1 * 11/2001 Nobata A45F 3/04
 224/153
 6,402,000 B1 * 6/2002 Stark B60R 7/04
 224/563
 D479,186 S * 9/2003 Hassett D12/416
 D483,940 S * 12/2003 Dolan D3/216
 D485,432 S * 1/2004 Desrochers D3/214
 D498,585 S * 11/2004 Darling D12/416
 D534,710 S * 1/2007 Reeves D2/830
 D537,289 S * 2/2007 Eskandry D6/611
 D552,533 S * 10/2007 Cord D12/422
 D579,405 S * 10/2008 Cord D12/422
 D587,644 S * 3/2009 Cord D12/422
 D599,107 S * 9/2009 Gold D3/217

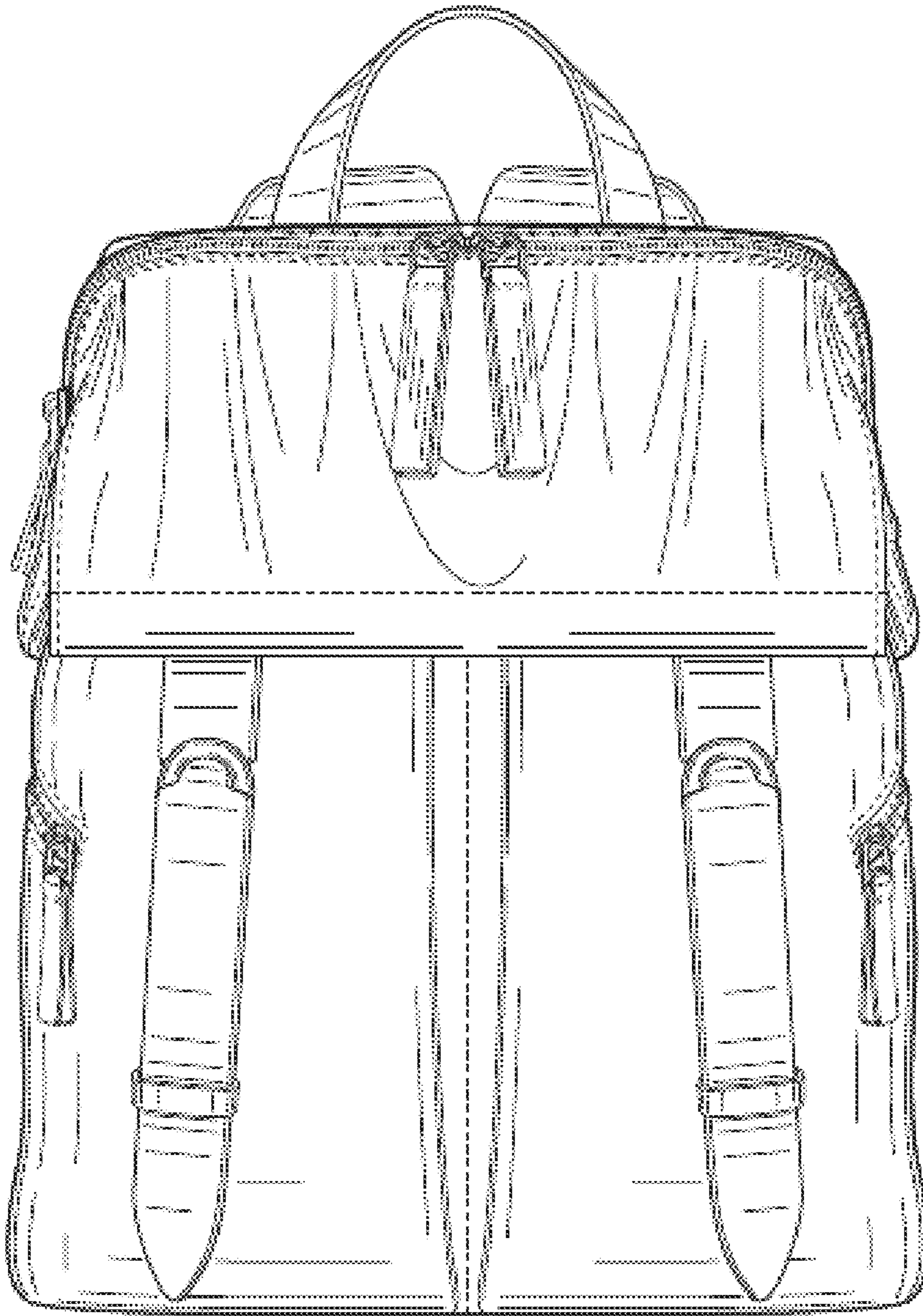
D611,680 S * 3/2010 Thomas D2/830
 D632,242 S * 2/2011 Currie D12/416
 D658,363 S * 5/2012 Biddle D3/217
 D670,904 S * 11/2012 Gerchen D3/217
 D673,362 S * 1/2013 Presman D3/217
 D677,886 S * 3/2013 Naicken D3/254
 D685,988 S * 7/2013 Shepherd D3/216
 D686,818 S * 7/2013 Shepherd D3/216
 D690,502 S * 10/2013 Bergquist D3/217
 D693,570 S * 11/2013 Rathbun D3/217
 D702,434 S * 4/2014 Chalk A45F 3/04
 D3/217
 8,820,596 B1 * 9/2014 Bergquist A45C 3/004
 224/153
 8,960,509 B2 * 2/2015 Rathbun A45C 3/004
 224/153
 8,960,511 B2 * 2/2015 Shepherd A45C 3/00
 224/259
 9,044,074 B1 * 6/2015 De Freitas F41H 1/02
 D745,264 S * 12/2015 Ford D3/216
 D746,050 S * 12/2015 Ford D3/217
 D747,104 S * 1/2016 Ford D3/318
 D752,856 S * 4/2016 Marez D3/217
 D780,525 S * 3/2017 Jacobsen D7/607
 D855,311 S * 8/2019 Bergquist D3/217
 D856,666 S * 8/2019 Marzin D3/232
 10,486,606 B1 * 11/2019 Stabile B60R 7/043
 D881,793 S * 4/2020 Huang D12/416
 D893,861 S * 8/2020 Dyk D3/217
 D893,862 S * 8/2020 Dyk D3/217
 D894,602 S * 9/2020 Dyk D3/301
 D895,271 S * 9/2020 Enriquez D3/217
 D921,356 S * 6/2021 Cowan D3/217

* cited by examiner

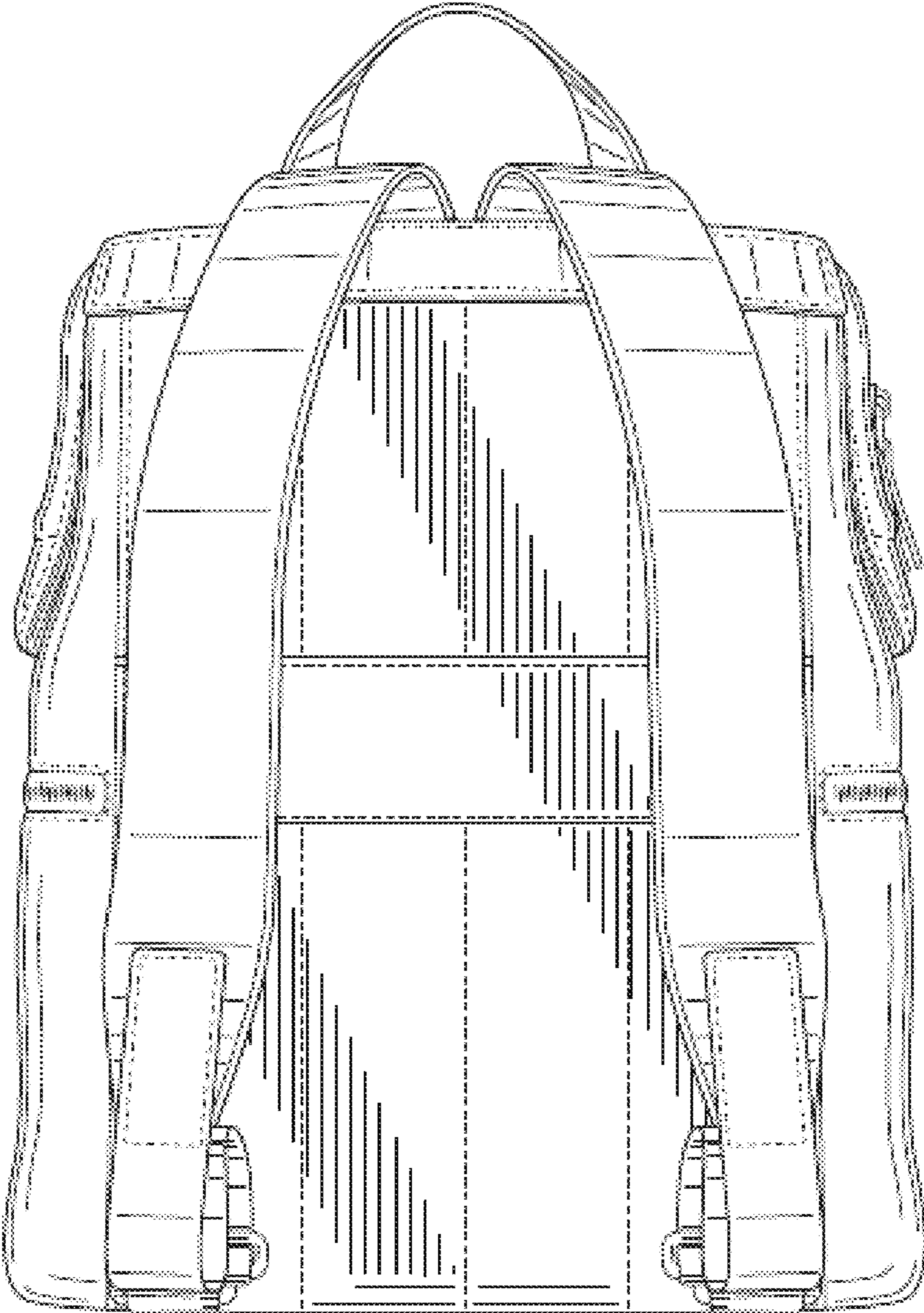
1.1



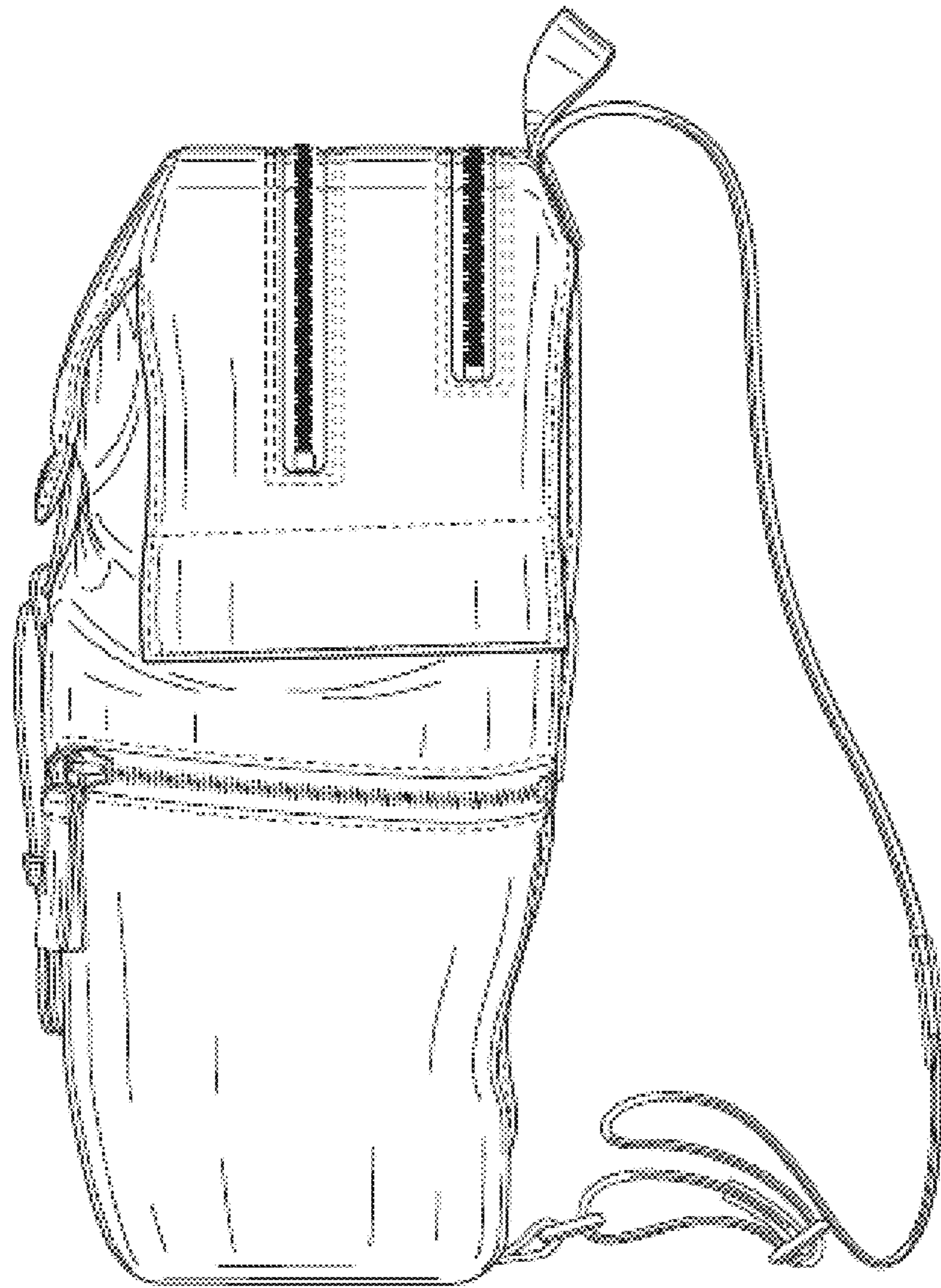
1.2



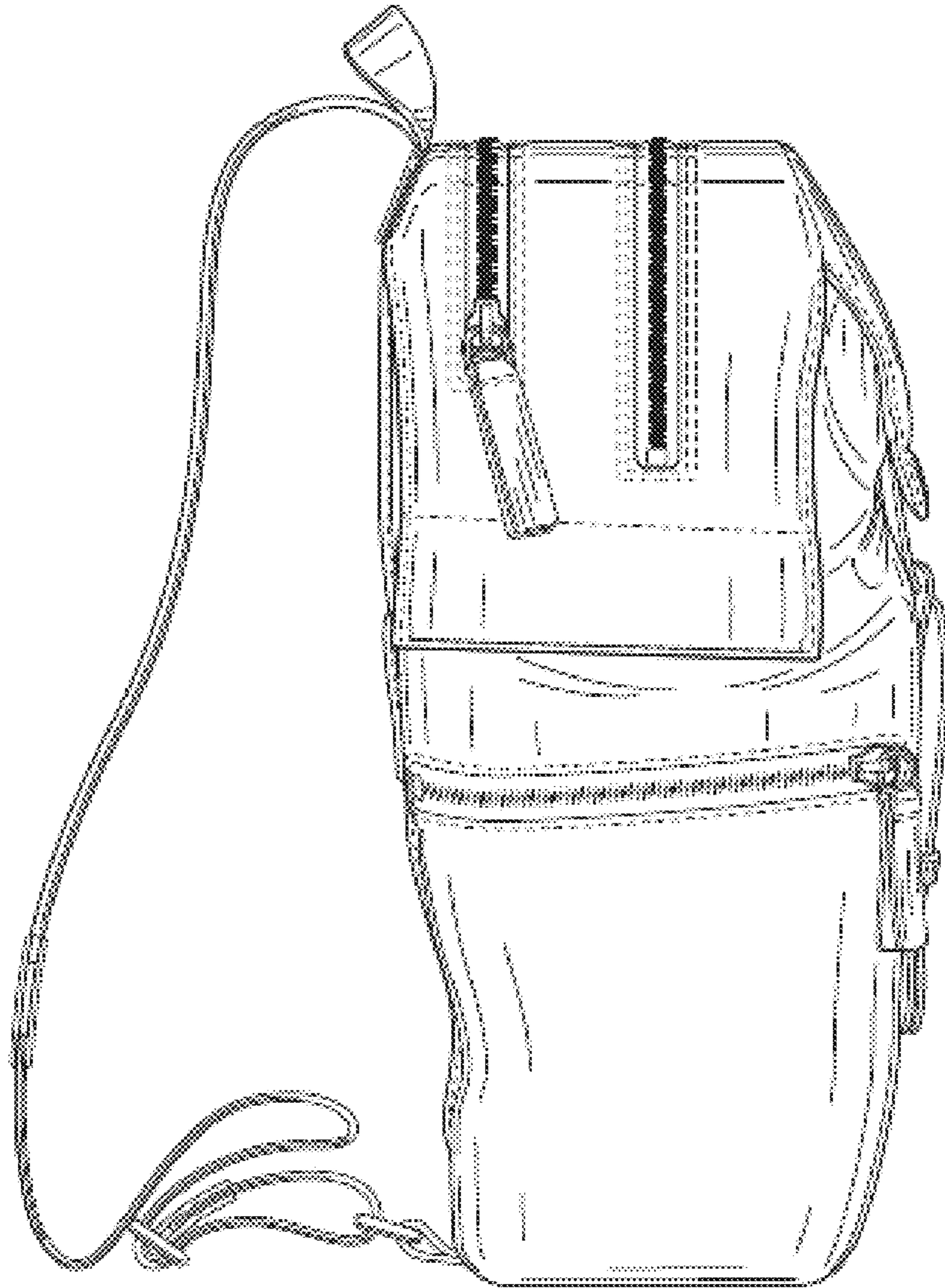
1.3



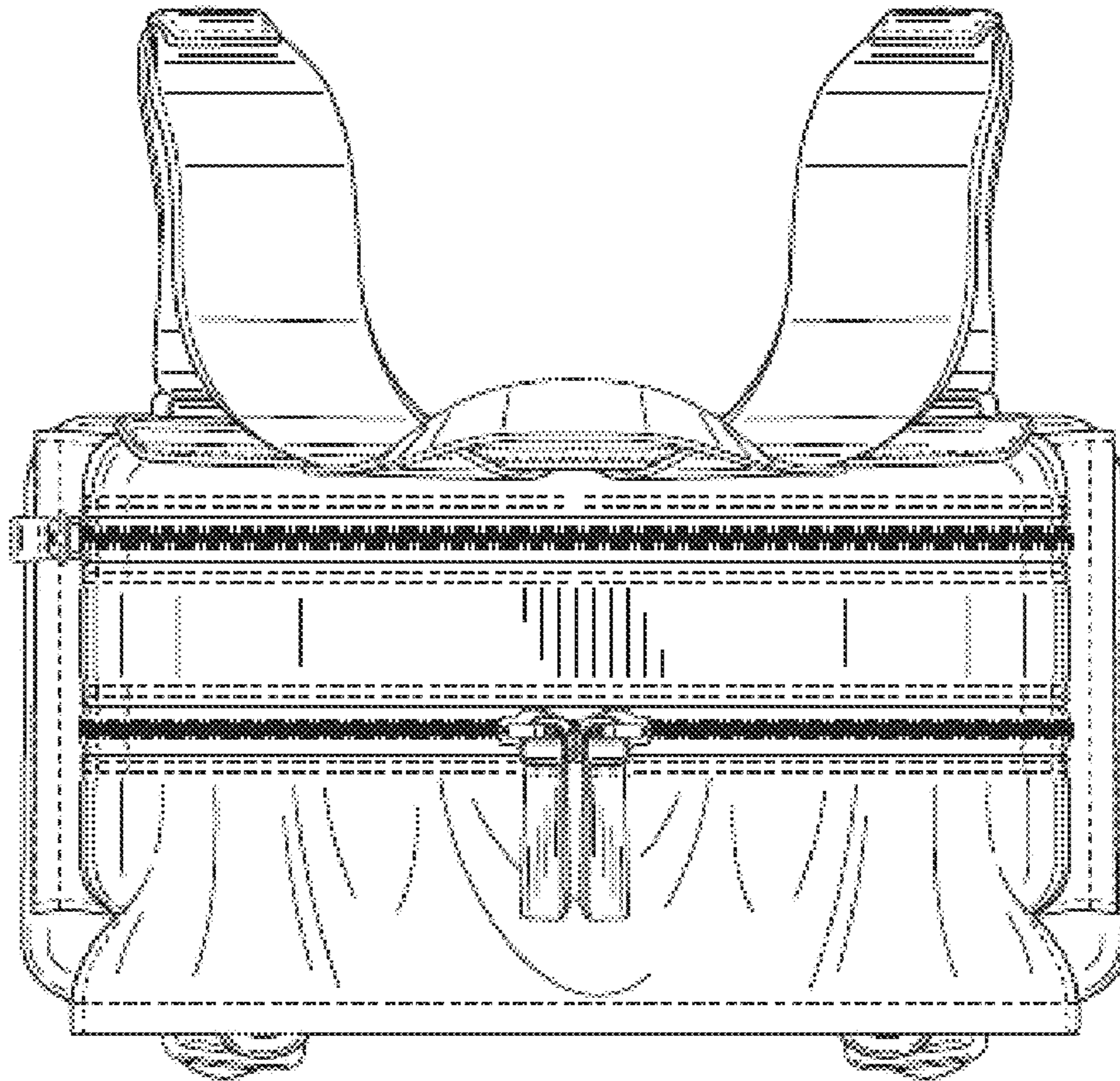
1.4



1.5



1.6



1.7

