



US00D938163S

(12) **United States Design Patent** (10) **Patent No.:** **US D938,163 S**
Lyu (45) **Date of Patent:** **** Dec. 14, 2021**

(54) **DIAPER BACKPACK WITH BED**
(71) Applicant: **Guiqiang Lyu**, Guangdong (CN)
(72) Inventor: **Guiqiang Lyu**, Guangdong (CN)
(**) Term: **15 Years**
(21) Appl. No.: **29/752,579**
(22) Filed: **Sep. 28, 2020**
(51) **LOC (13) Cl.** **03-01**
(52) **U.S. Cl.**
USPC **D3/217**
(58) **Field of Classification Search**
USPC D3/216, 217, 260
CPC A45F 3/04; A45F 2003/003; A45F 4/02;
A45F 5/021; Y10S 224/92; Y10S 16/40;
Y10S 224/922; Y10S 383/907; A01K
97/06; A45C 11/20; A45C 5/06; A45C
11/02; A45C 13/02; A45C 13/08; A45C
3/00; A45C 7/0063
See application file for complete search history.

(56) **References Cited**
U.S. PATENT DOCUMENTS
5,829,835 A * 11/1998 Rogers B62B 3/144
297/256.17
D879,464 S 3/2020 Vario, Jr.
D880,847 S * 4/2020 Huang D3/217
D895,272 S * 9/2020 Zhitian D3/217
D895,273 S * 9/2020 Zhitian D3/217
D896,504 S * 9/2020 Li D3/217
D898,349 S * 10/2020 He D3/217
D898,359 S * 10/2020 Ho D3/289
2003/0164321 A1 * 9/2003 Ukitsu A45C 7/0086
206/581

2011/0314608 A1* 12/2011 Rovin A47D 5/006
5/655
2019/0082817 A1* 3/2019 Ji A47D 5/006
2019/0254400 A1* 8/2019 Challa A45C 13/103

OTHER PUBLICATIONS

Happy Luoka Diaper Bag Backpack with Foldable Travel Bed, reviewed on Amazon Jul. 2018, viewed Jul. 13, 2021. Available online at URL: https://www.amazon.com/Backpack-Foldable-Charging-Portable-Changing/dp/B08L7WK98B/ref=sr_1_3_sspa?dchild=1&keywords=diaper%2Bbag%2Bbackpack%2Bwith%2Btravel%2Bbassinet%2BGITIB.*

* cited by examiner

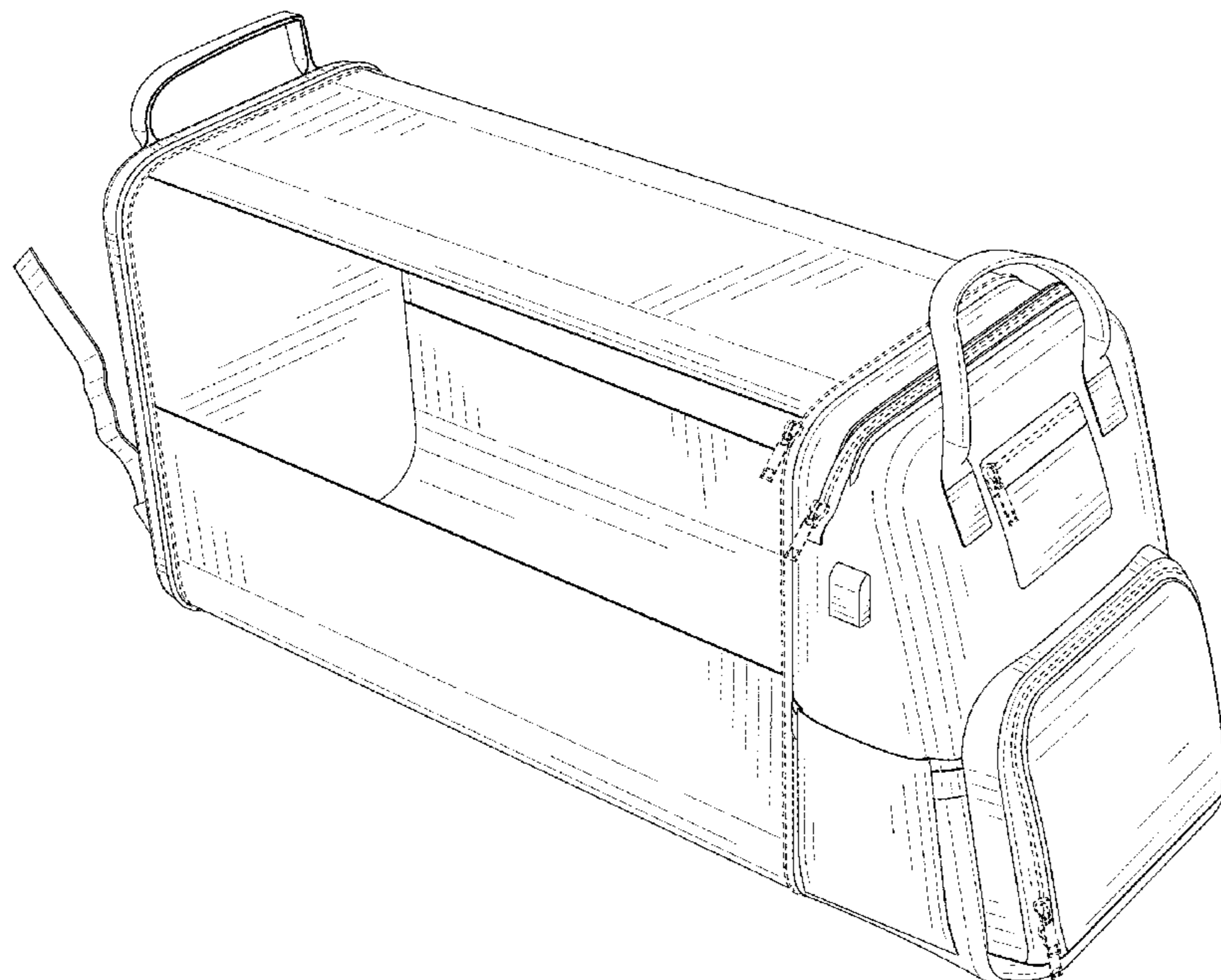
Primary Examiner — Jennifer L Watkins
(74) *Attorney, Agent, or Firm* — ScienBiziP, P.C.

(57) **CLAIM**
The ornamental design for a diaper backpack with bed, as shown and described.

DESCRIPTION

FIG. 1 is a front and left perspective view of a diaper backpack with bed, showing my design.
FIG. 2 is a rear and right perspective view thereof.
FIG. 3 is a front elevation view thereof.
FIG. 4 is a rear elevation view thereof.
FIG. 5 is a left side elevation thereof.
FIG. 6 is a right side elevation thereof.
FIG. 7 is a top plan view thereof.
FIG. 8 is a bottom plan view thereof; and,
FIG. 9 is a perspective view of the diaper backpack with bed in a folding state.
The broken lines showing zipper track, toggles and a handle fastening strap depict environment and from no part of the claim.

1 Claim, 9 Drawing Sheets



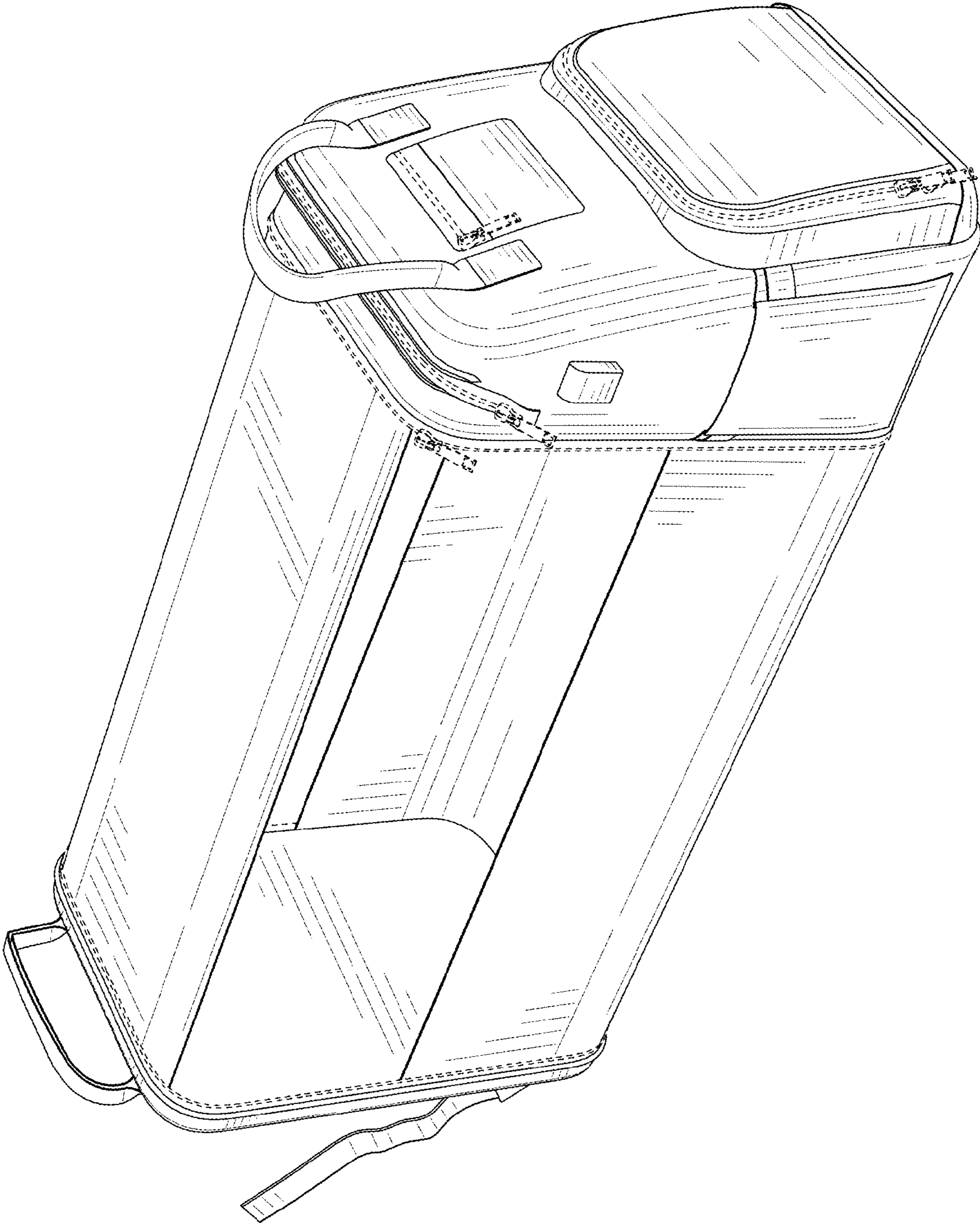


FIG. 1

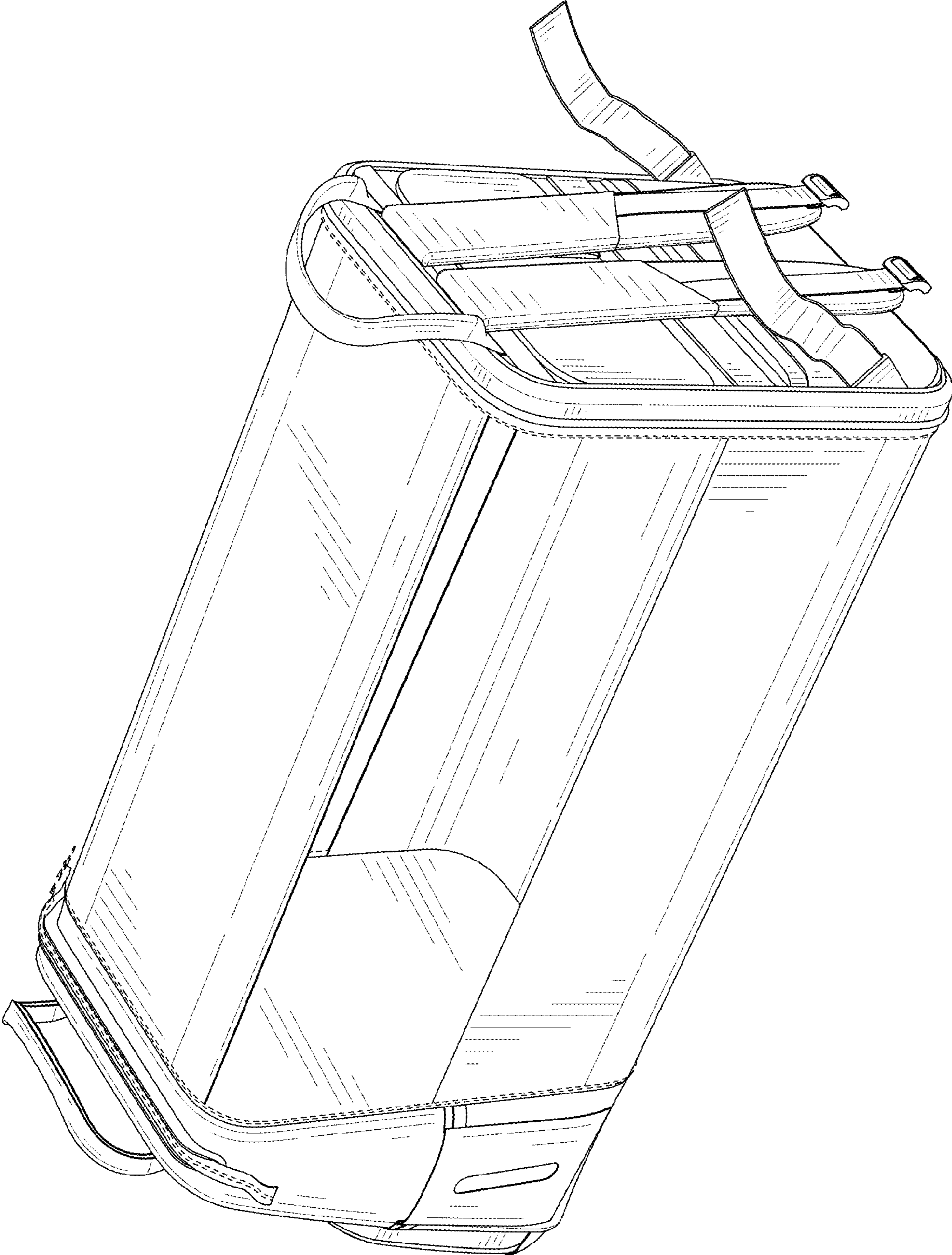


FIG. 2

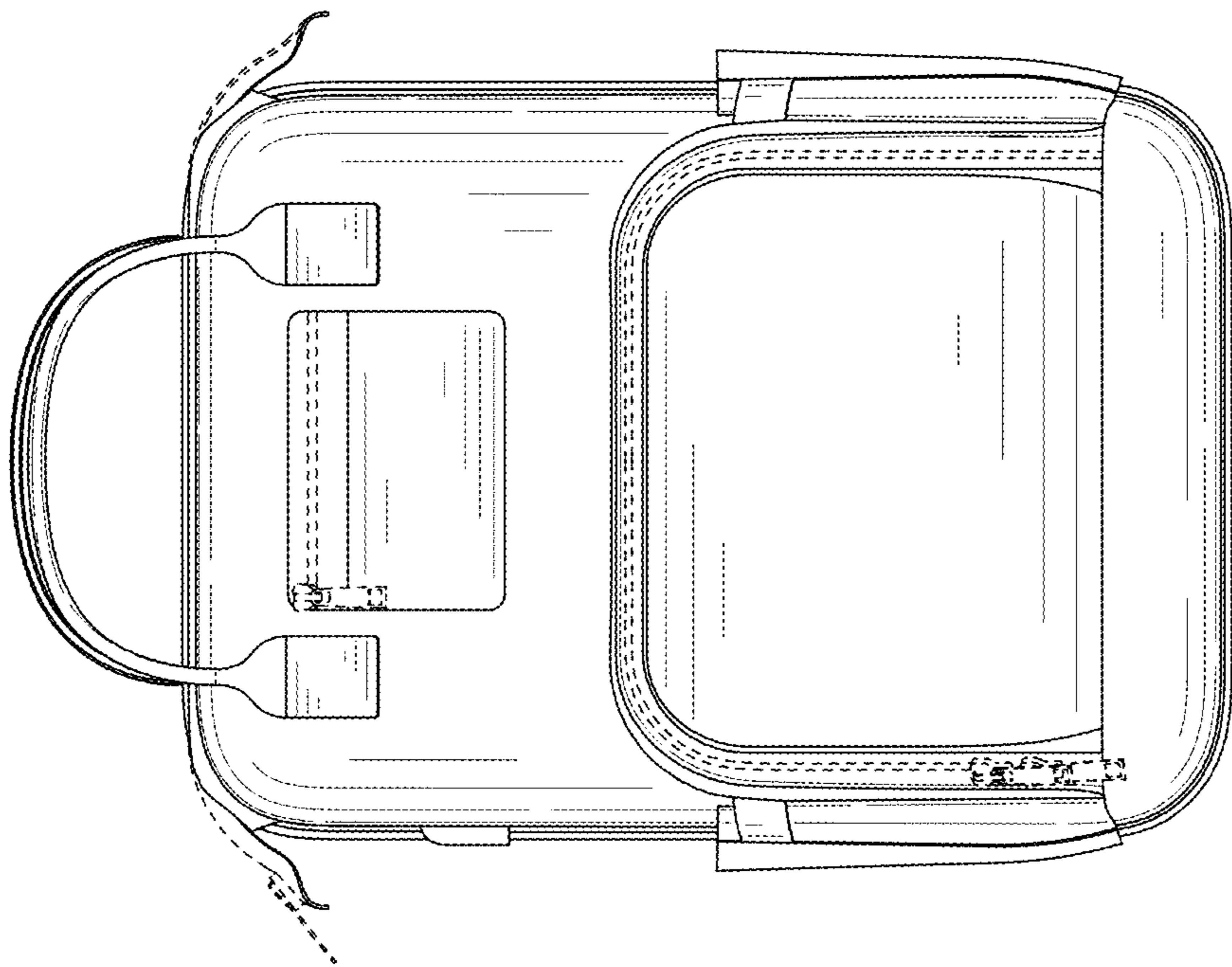


FIG. 3

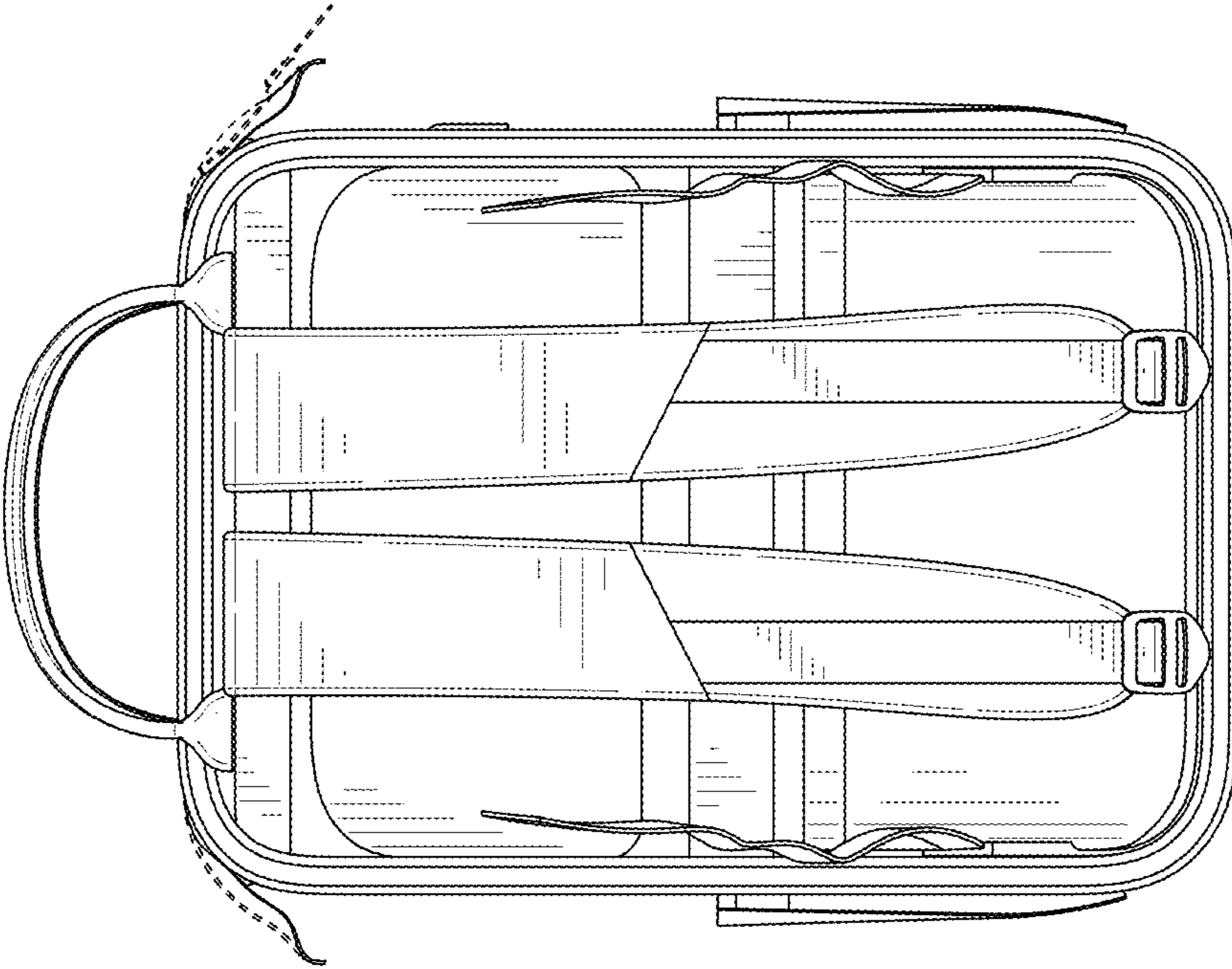


FIG. 4

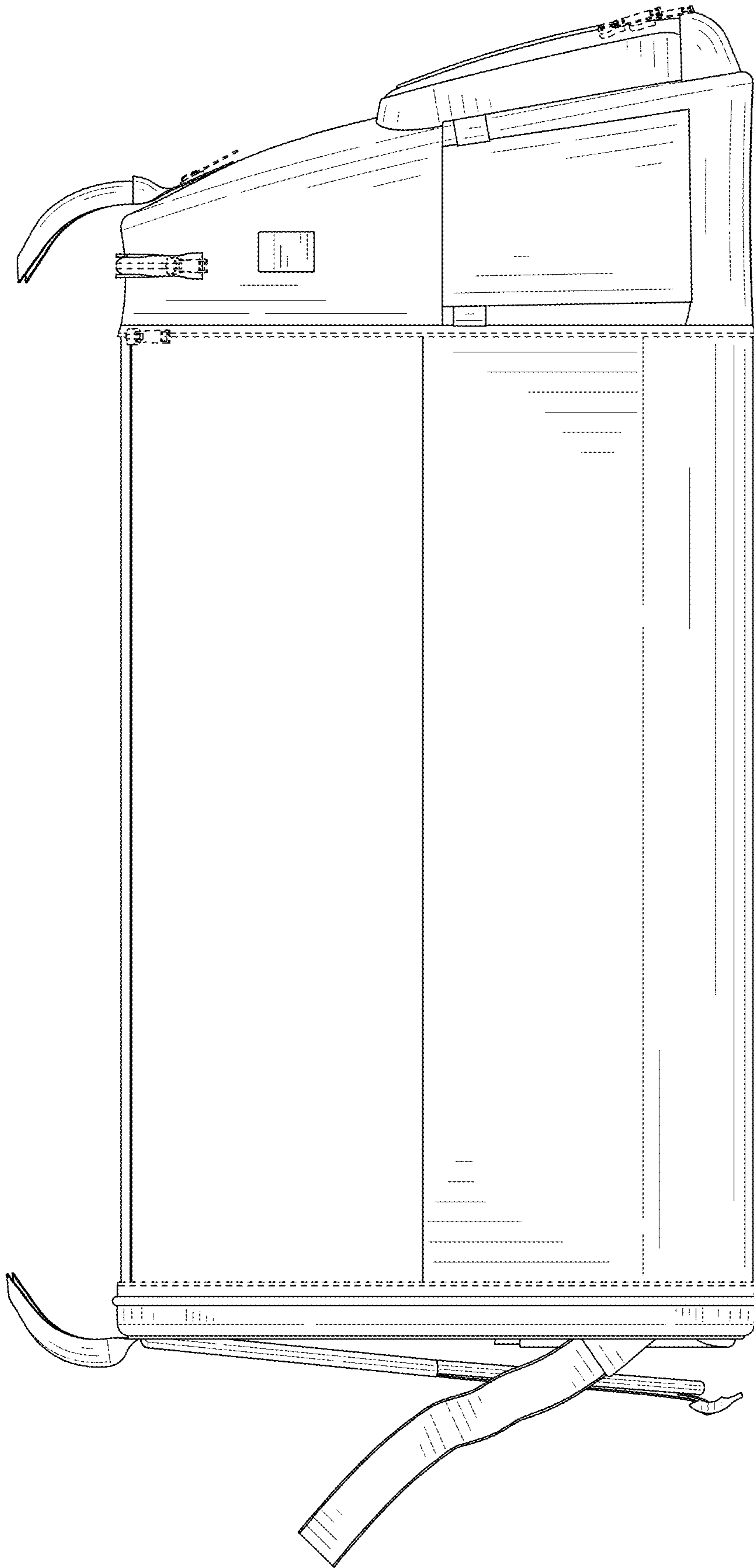


FIG. 5



FIG. 6

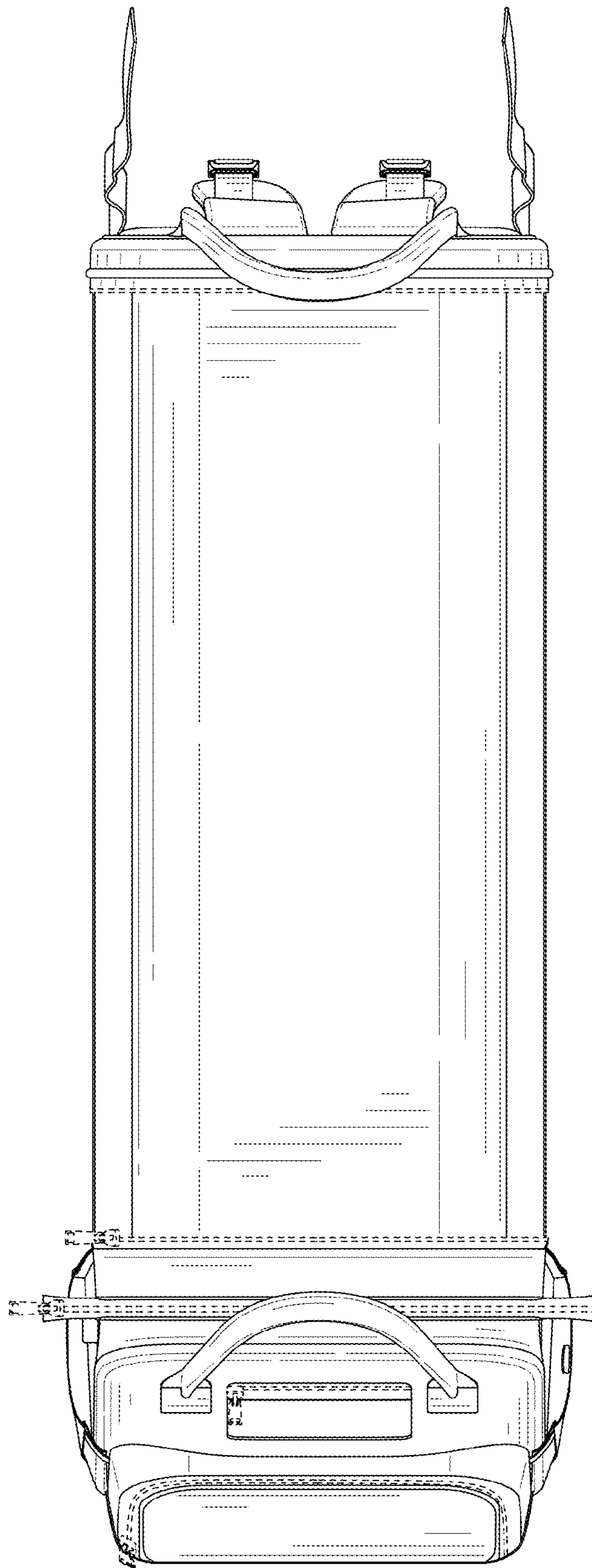


FIG. 7

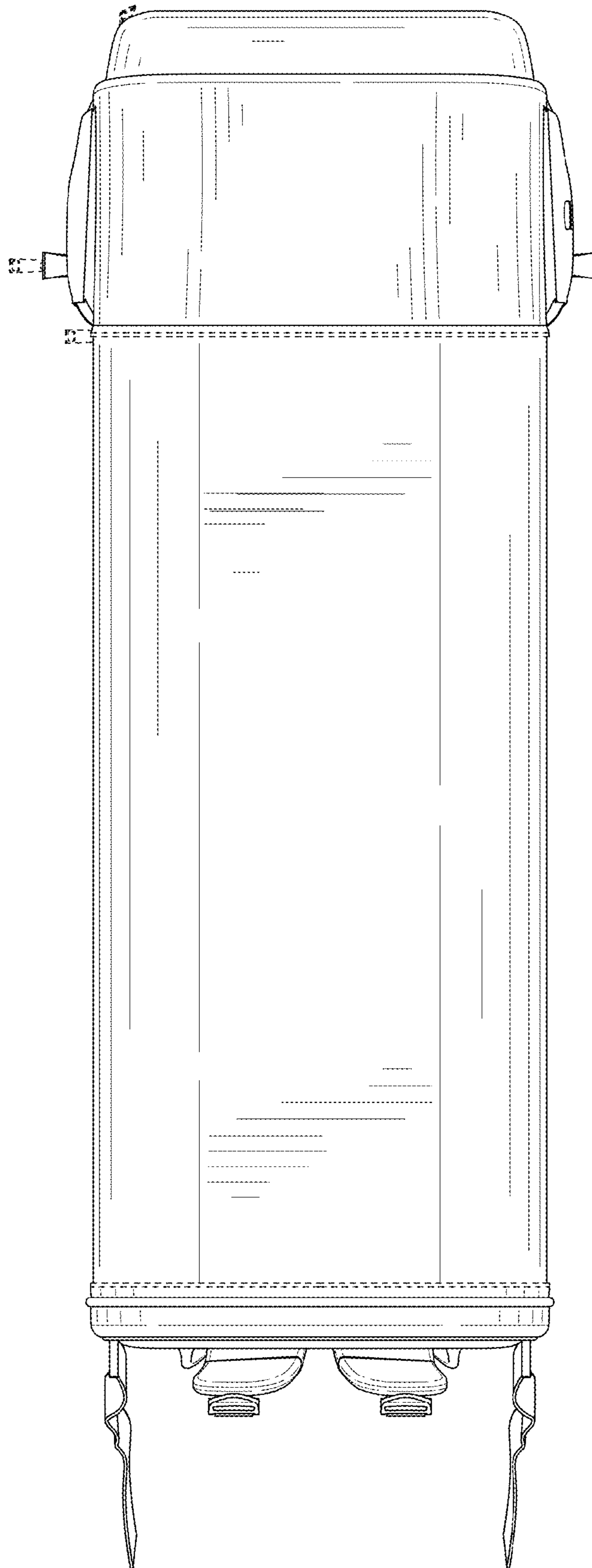


FIG. 8



FIG. 9