



US00D938162S

(12) **United States Design Patent**  
**Chui**

(10) **Patent No.:** **US D938,162 S**

(45) **Date of Patent:** **\*\* Dec. 14, 2021**

(54) **EXPANDABLE PENCIL CASE**

D487,188 S \* 3/2004 Fonfeder ..... D3/206  
D492,106 S \* 6/2004 Fonfeder ..... D3/206  
D897,667 S \* 10/2020 Taylor ..... D3/206

(71) Applicant: **Chiu Wai Chui**, Hong Kong (CN)

\* cited by examiner

(72) Inventor: **Chiu Wai Chui**, Hong Kong (CN)

*Primary Examiner* — Charles D Hanson

(\*\*) Term: **15 Years**

(21) Appl. No.: **29/767,247**

(57) **CLAIM**

(22) Filed: **Jan. 21, 2021**

The ornamental design for an expandable pencil case, as shown and described.

**Related U.S. Application Data**

(63) Continuation-in-part of application No. 29/696,822, filed on Jul. 1, 2019, now Pat. No. Des. 910,306.

(51) **LOC (13) Cl.** ..... **03-02**

(52) **U.S. Cl.**  
USPC ..... **D3/206**

(58) **Field of Classification Search**  
USPC ..... D3/206  
CPC ..... A45C 11/34; A45C 11/36  
See application file for complete search history.

**DESCRIPTION**

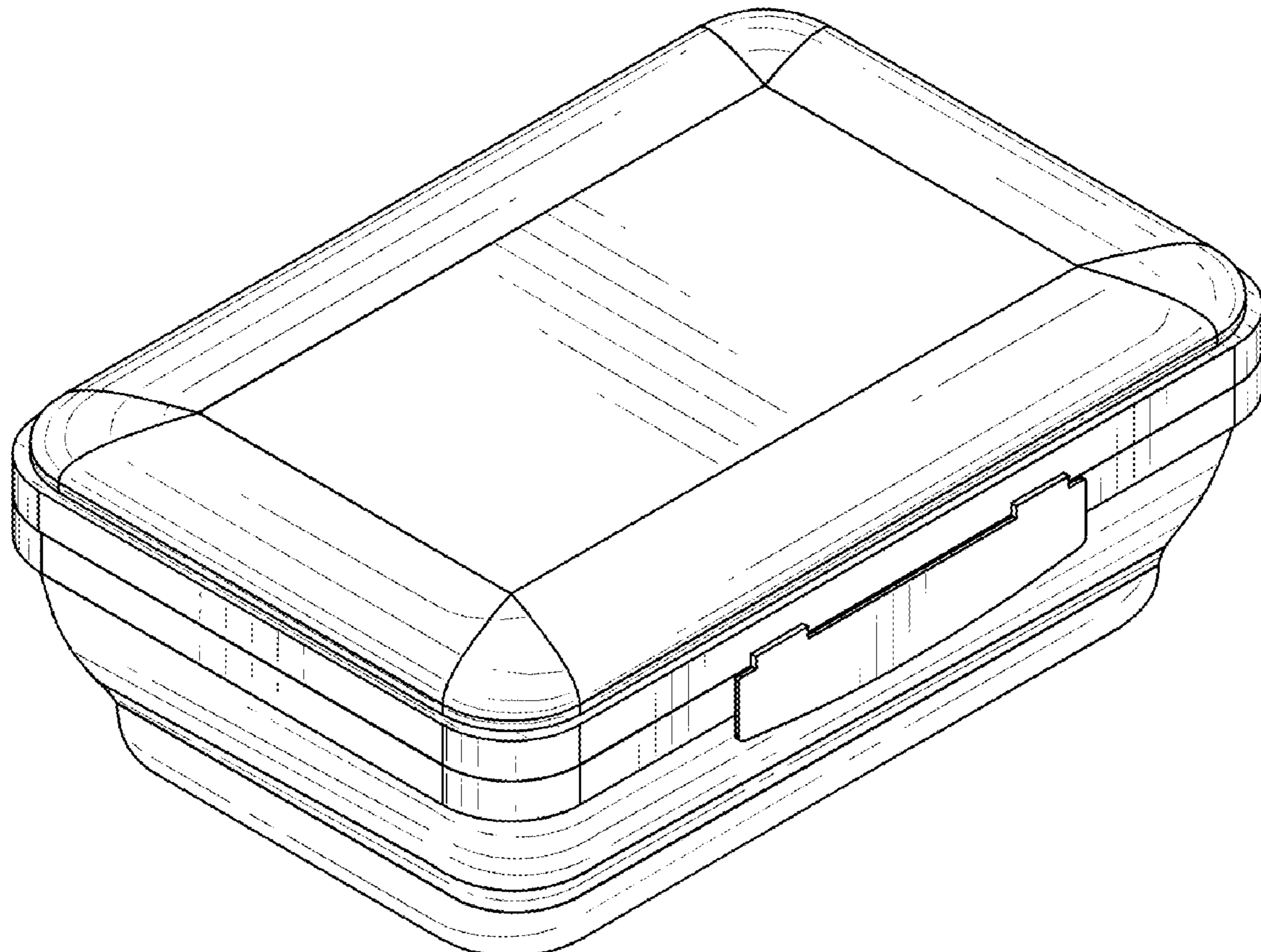
FIG. 1 is a front view of an expandable pencil case showing my new design;  
FIG. 2 is a rear view thereof;  
FIG. 3 is a left-side view thereof;  
FIG. 4 is a right-side view thereof;  
FIG. 5 is a top plan view thereof;  
FIG. 6 is a bottom plan view thereof;  
FIG. 7 is a front top-left perspective view thereof;  
FIG. 8 is a rear bottom-left perspective view thereof;  
FIG. 9 is a front top-left perspective view thereof, showing the expandable pencil case in a expanded configuration; and,  
FIG. 10 is a rear bottom-left perspective view thereof, showing the expandable pencil case in a expanded configuration.

(56) **References Cited**

**U.S. PATENT DOCUMENTS**

D335,896 S \* 5/1993 Evenson ..... D19/83  
D423,055 S \* 4/2000 Demsien ..... D19/81  
D450,921 S \* 11/2001 Kirkland ..... D19/77  
D486,634 S \* 2/2004 Fonfeder ..... D3/206

**1 Claim, 10 Drawing Sheets**



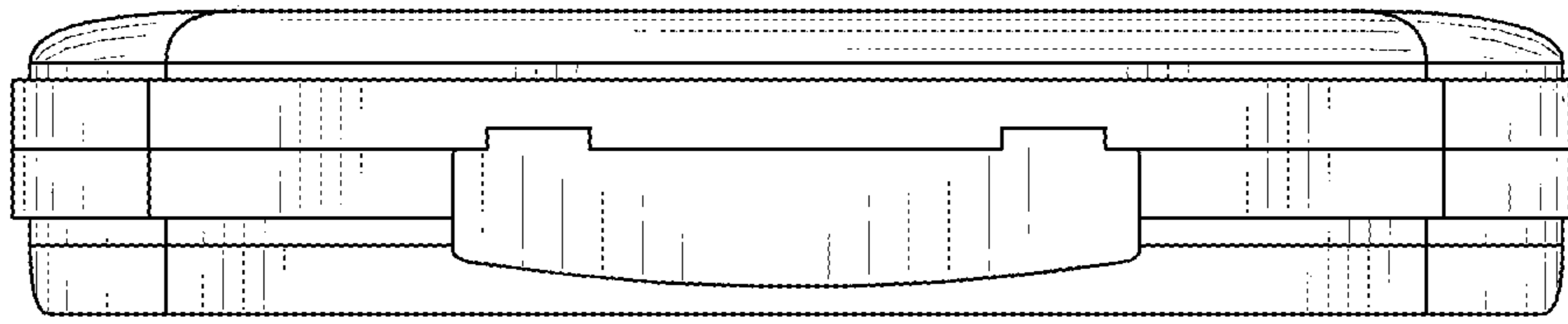


FIG. 1

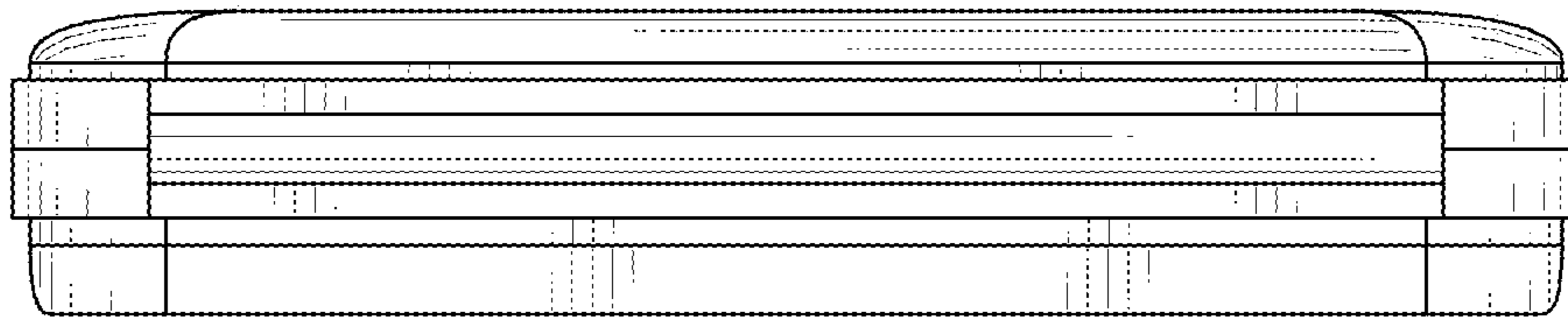


FIG. 2

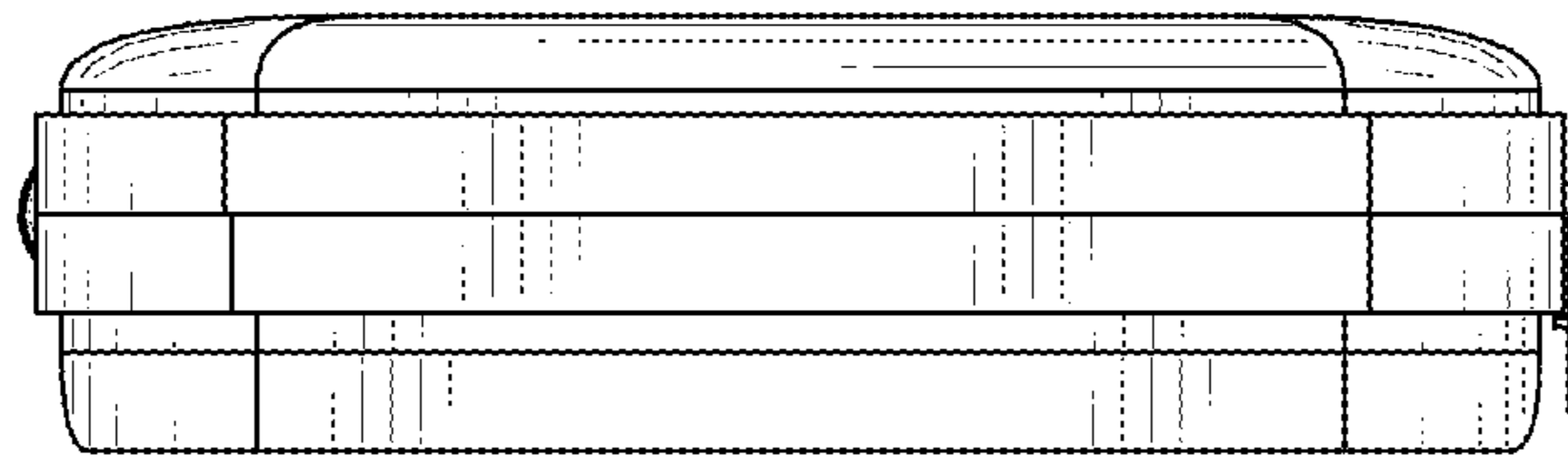


FIG. 3

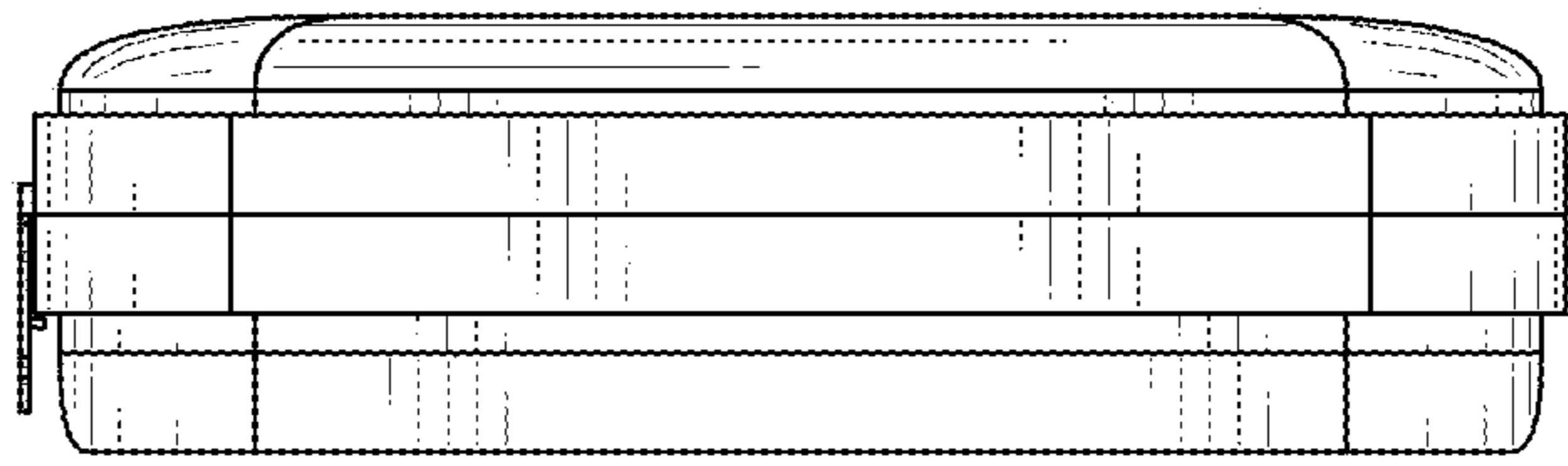


FIG. 4

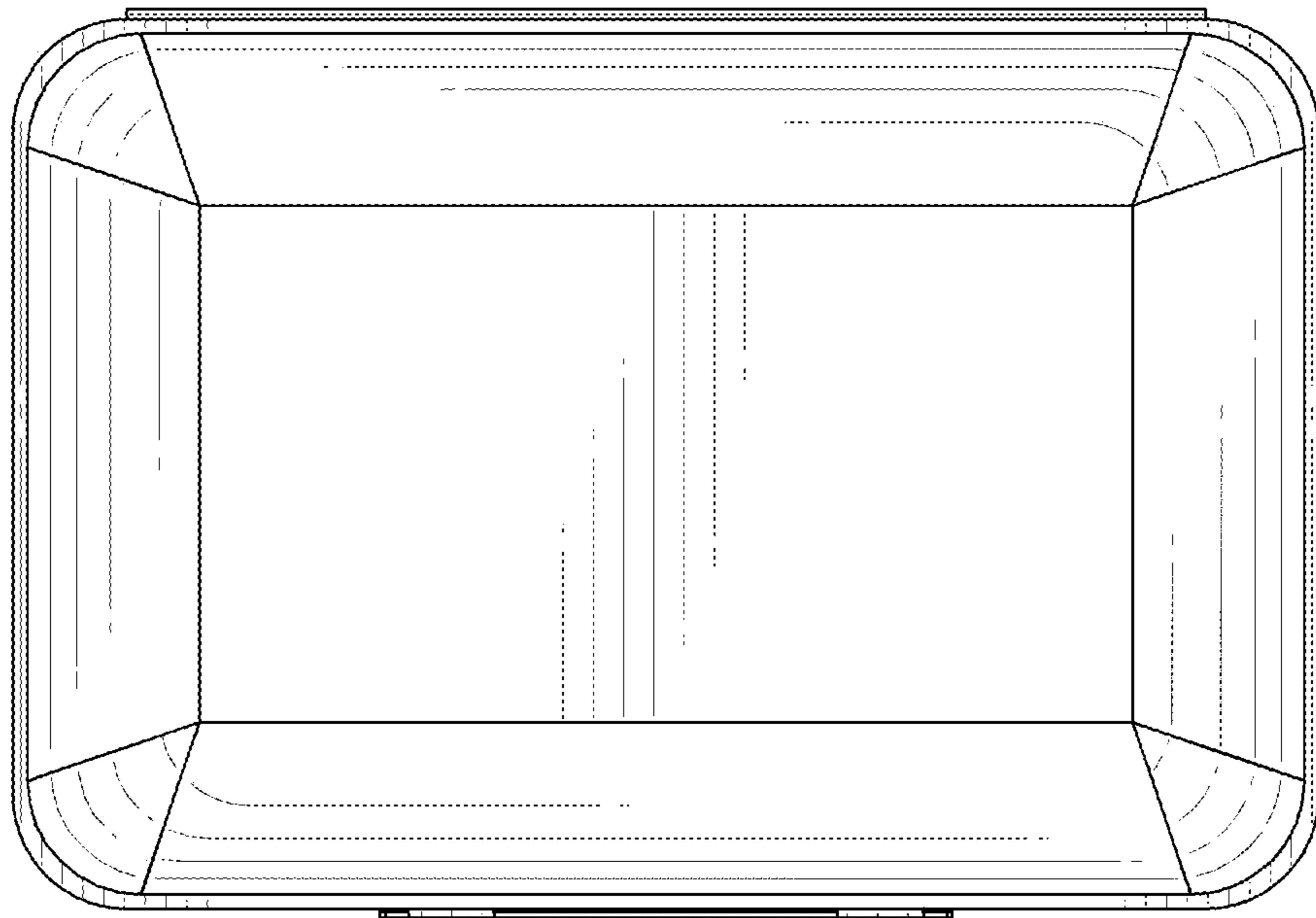


FIG. 5

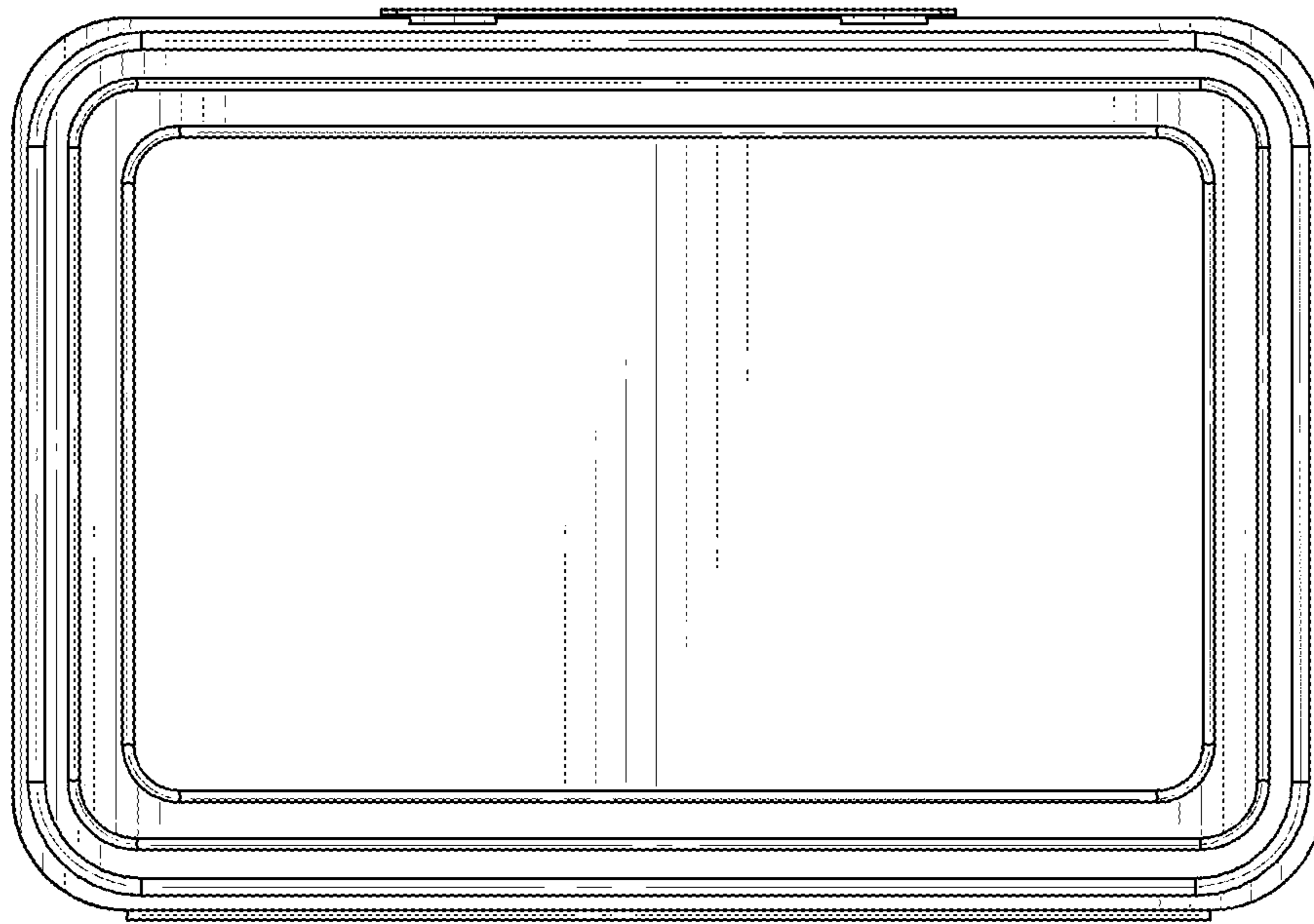


FIG. 6

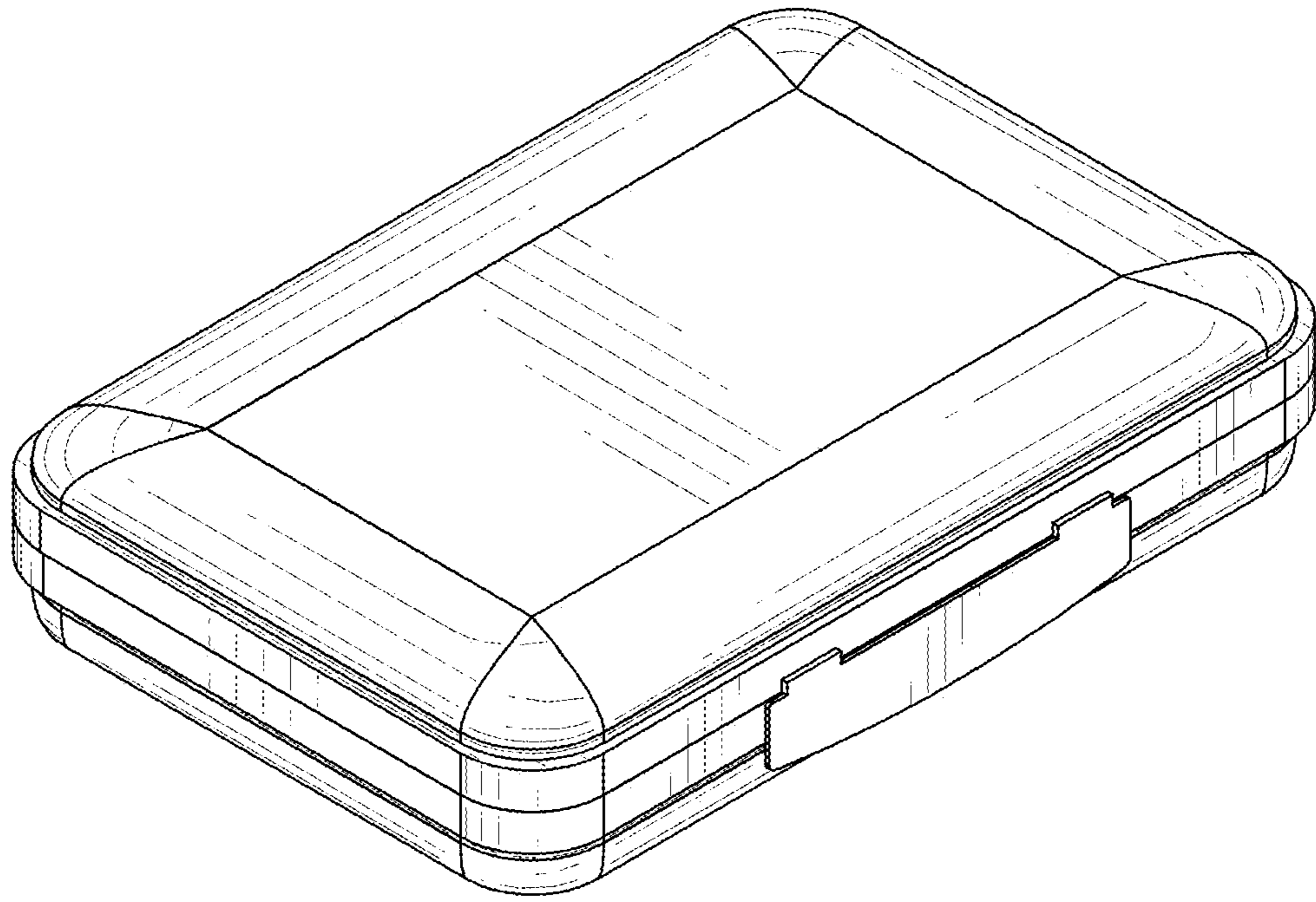


FIG. 7



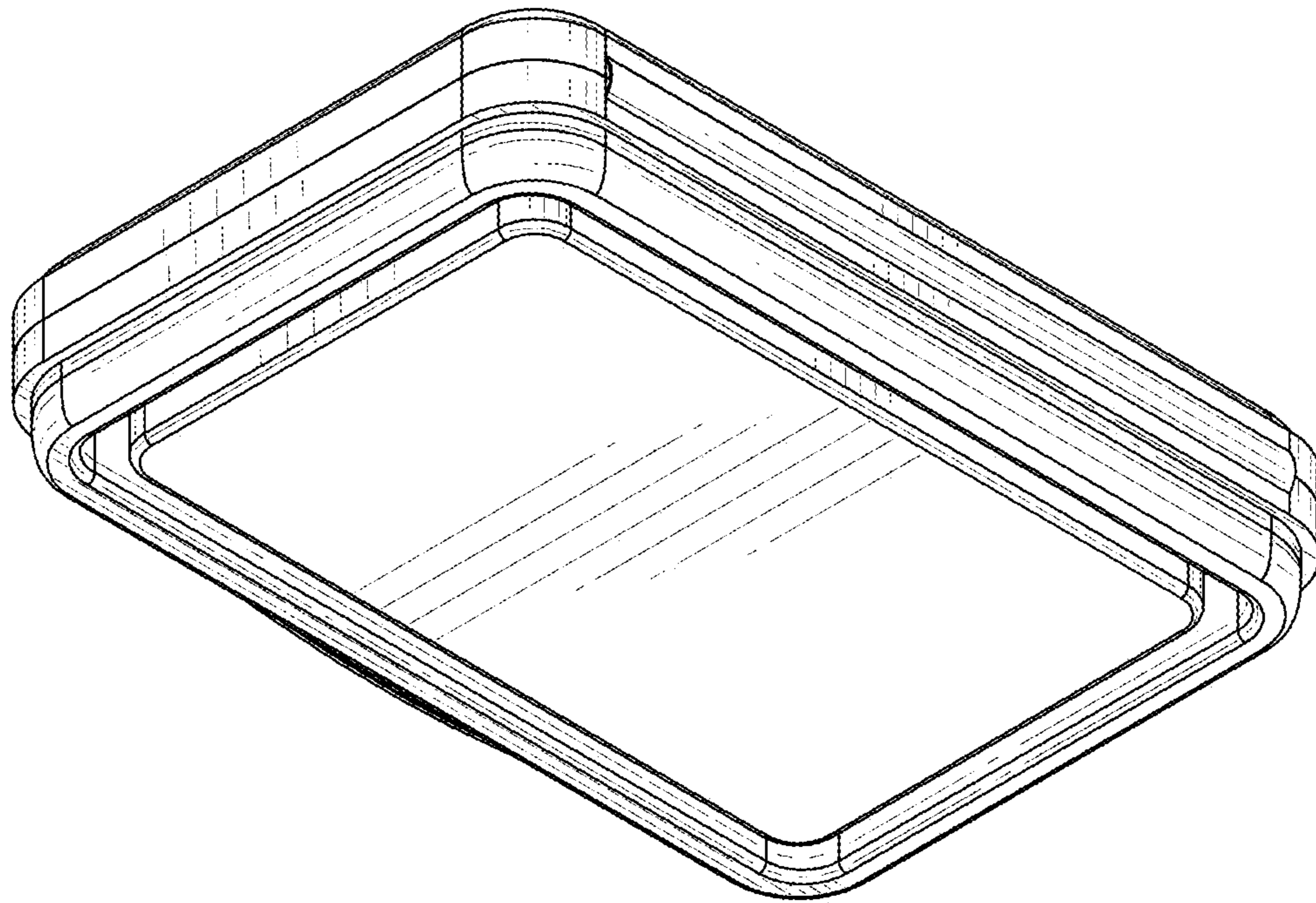


FIG. 8

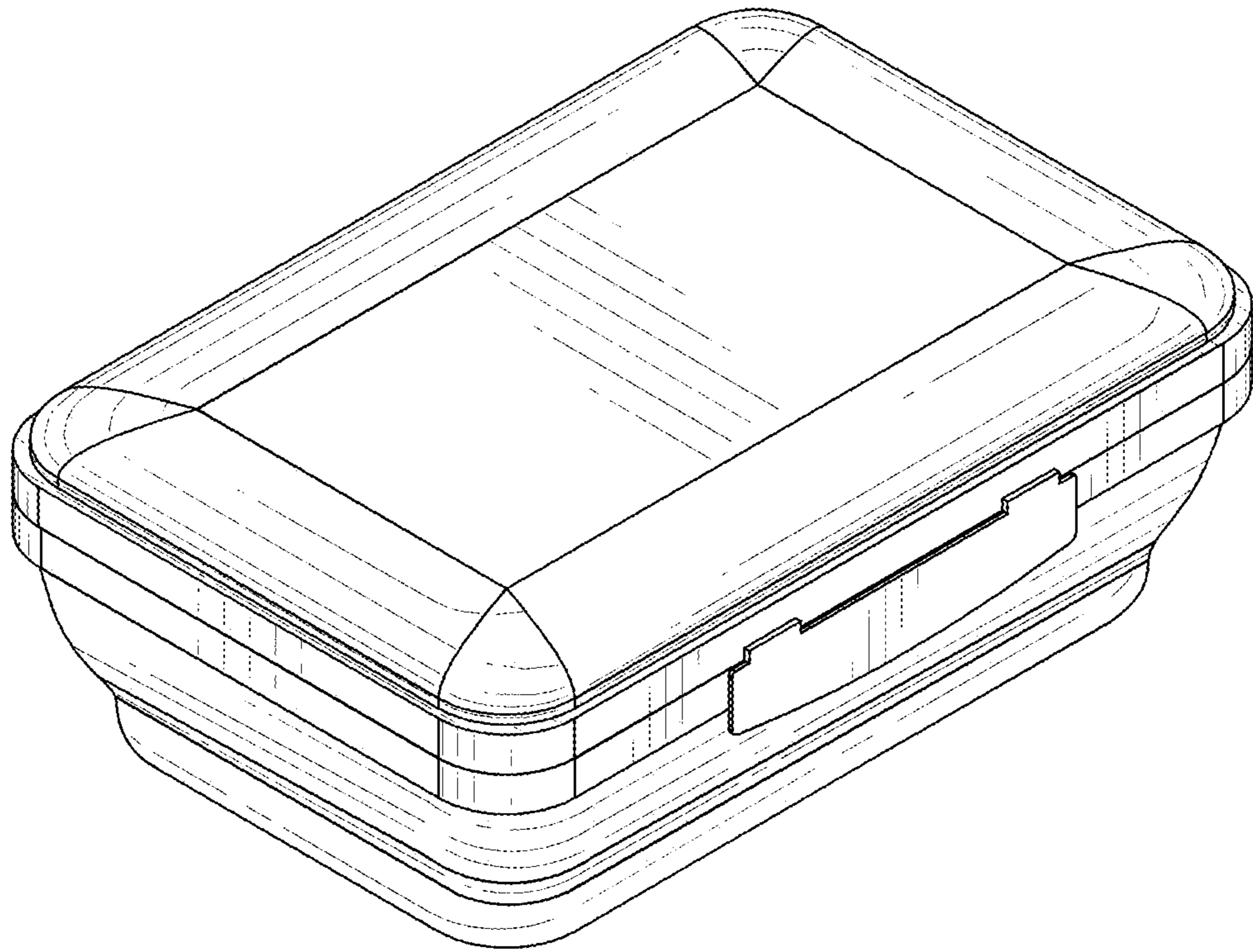


FIG. 9

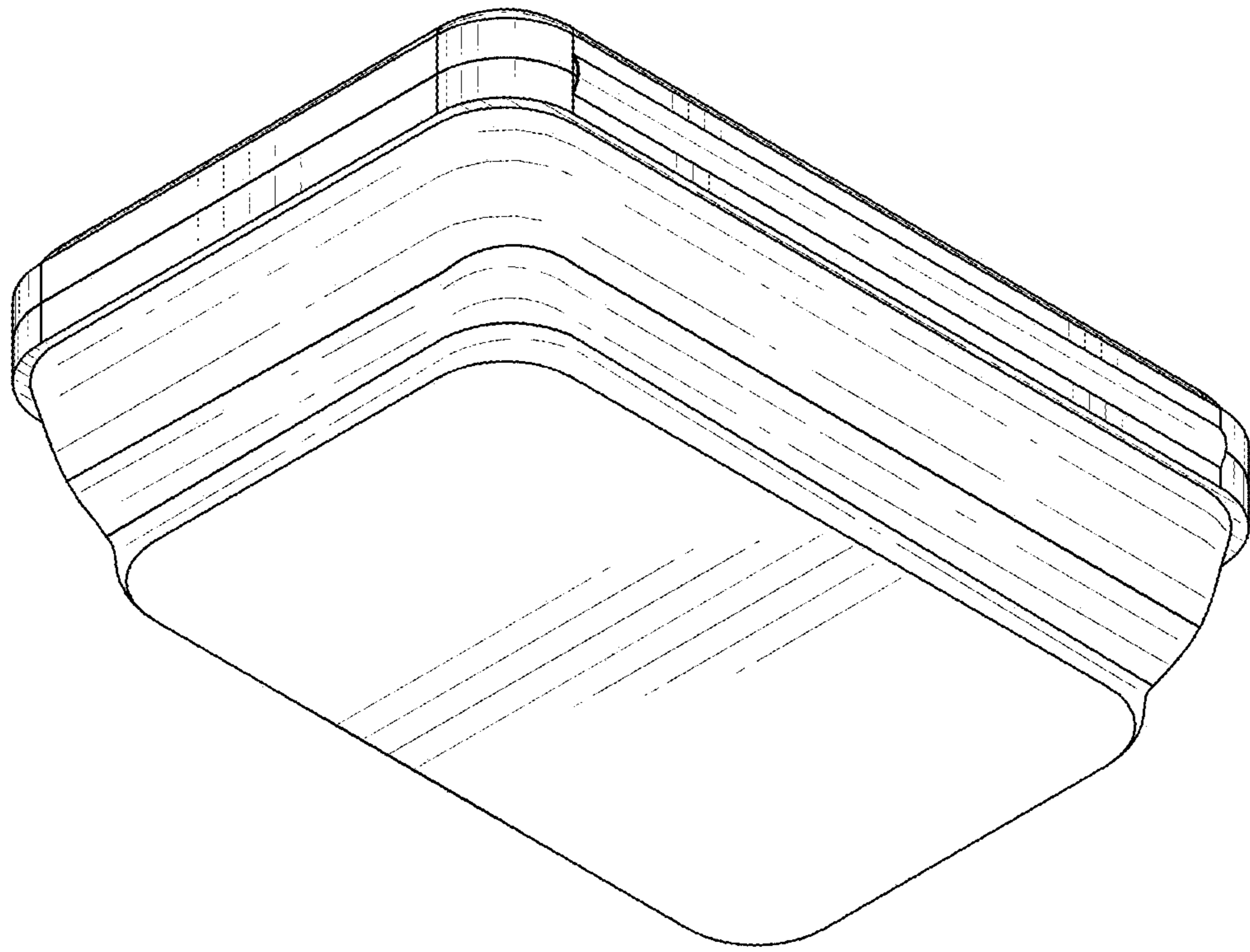


FIG. 10