



US00D938159S

(12) **United States Design Patent** (10) **Patent No.:** **US D938,159 S**
Youn (45) **Date of Patent:** **** Dec. 14, 2021**

(54) **CASE FOR EARPHONES**
(71) Applicant: **SPIGEN KOREA CO., LTD.**, Seoul (KR)
(72) Inventor: **Junyong Youn**, Seoul (KR)
(**) Term: **15 Years**
(21) Appl. No.: **29/715,483**
(22) Filed: **Dec. 2, 2019**
(51) **LOC (13) Cl.** **03-01**
(52) **U.S. Cl.**
USPC **D3/201; D3/218; D3/273**
(58) **Field of Classification Search**
USPC D3/201, 203.1, 204, 205, 207–208, 212, D3/215, 218, 269, 273–274, 276, 283, D3/284, 294–300, 302, 303, 315, 901, D3/903; D9/414, 418, 420, 430, 432; D28/66, 73, 76, 78, 91; D14/188, 201, D14/204, 205, 209.1, 217, 250, 251, 440, D14/447
CPC ... A45C 13/002; A45C 13/005; A45C 13/025; A45C 2011/001; A45C 2011/002; A45C 2011/003
See application file for complete search history.

(56) **References Cited**
U.S. PATENT DOCUMENTS
D259,596 S 6/1981 Gray
D426,950 S * 6/2000 Conway D3/203.5
D452,611 S 1/2002 Redgrave
D472,245 S 3/2003 Andre et al.
D475,696 S 6/2003 Hussaini et al.
7,046,230 B2 5/2006 Zadesky et al.
7,333,092 B2 2/2008 Zadesky et al.
7,348,967 B2 3/2008 Zadesky et al.
D569,389 S 5/2008 Andre et al.
D586,557 S 2/2009 Jalet
D591,766 S 5/2009 Andre et al.
D597,556 S 8/2009 Andre et al.
D604,501 S 11/2009 Lee

D614,048 S 4/2010 Smith
D615,554 S 5/2010 Andre et al.
D636,598 S 4/2011 Tseng et al.
(Continued)

OTHER PUBLICATIONS

Apple AirPods Pro Case Classic Shuffle, posted at spigen.com, no posting date, retrieved Apr. 23, 2020, online, URL:https://www.spigen.com/products/apple-airpods-pro-case-classic-shuffle?variant=31626684760111¤cy=USD&utm_campaign=gs-2019-09-10&utm_source=google&utm_medium=smart_campaign&gclid=CjwKC (Year: 2020).*
(Continued)

Primary Examiner — Lilyana Bekic
Assistant Examiner — Mary Shannon Malley
(74) *Attorney, Agent, or Firm* — Paul Chung

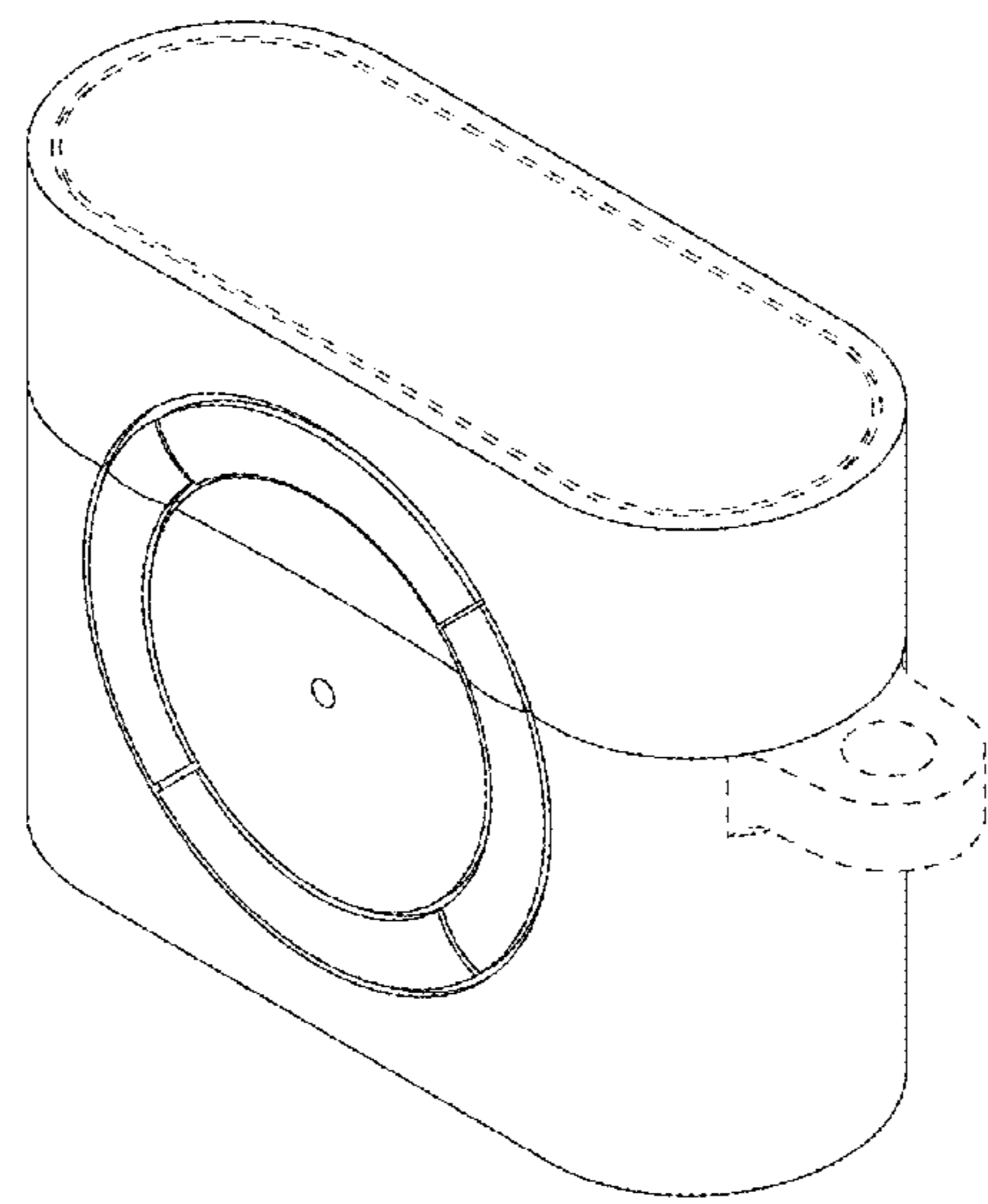
(57) **CLAIM**

The ornamental design for a case for earphone, as shown and described.

DESCRIPTION

FIG. 1 is a front perspective view of the case for earphone showing my new design;
FIG. 2 is a rear perspective view thereof;
FIG. 3 is a front elevational view thereof;
FIG. 4 is a rear elevational view thereof;
FIG. 5 is a left side elevational view thereof;
FIG. 6 is a right side elevational view thereof;
FIG. 7 is a top plan view thereof;
FIG. 8 is a bottom plan view thereof; and,
FIG. 9 is an exploded front perspective view of the case showing the components separated for clarity of disclosure. The broken lines throughout the drawing figures depict portions of the case for earphone that form no part of the claimed design. The broken lines and regions bounded by broken lines form no part of the claimed design.

1 Claim, 9 Drawing Sheets



(56)

References Cited

U.S. PATENT DOCUMENTS

D643,403 S 8/2011 Andre et al.
 D660,821 S 5/2012 Andre et al.
 D676,654 S 2/2013 Weremchuk et al.
 8,416,198 B2* 4/2013 Rathnam G06F 3/03547
 345/156
 D716,304 S * 10/2014 Orthey D14/385
 D738,110 S 9/2015 Jiang et al.
 D740,018 S 10/2015 Zhang et al.
 D756,626 S 5/2016 Tollefsbol et al.
 D785,598 S * 5/2017 Ikonen D14/218
 D791,754 S 7/2017 Armstrong et al.
 D794,617 S 8/2017 Wright et al.
 D794,618 S 8/2017 Wright et al.
 D806,388 S 1/2018 Akana et al.
 D813,909 S 3/2018 Lacy-Nichols
 D816,651 S 5/2018 Chiang et al.
 D817,640 S 5/2018 Dang et al.
 D818,268 S * 5/2018 Akana D3/294
 D823,246 S 7/2018 Lin
 D834,301 S 11/2018 Poissant
 D835,081 S 12/2018 Luo
 D838,480 S 1/2019 Son et al.
 D841,580 S 2/2019 Bao
 D841,581 S 2/2019 Bonahoom et al.
 D846,264 S 4/2019 Wu
 D847,811 S * 5/2019 Shim D14/356
 D849,401 S 5/2019 Akana et al.
 D851,652 S 6/2019 Lee et al.
 D853,108 S 7/2019 Zaihui
 D862,425 S 10/2019 Yan
 D864,110 S 10/2019 Yoshimura
 D864,565 S 10/2019 Lee et al.
 D864,971 S 10/2019 Lee et al.
 D866,564 S 11/2019 Lee et al.
 D868,453 S 12/2019 Lee et al.
 D868,465 S 12/2019 Lee et al.
 D869,147 S 12/2019 Lian
 D869,163 S 12/2019 Maguire
 D870,037 S 12/2019 Lee
 D870,451 S 12/2019 Birger
 D872,094 S 1/2020 Wright et al.
 D872,468 S 1/2020 Lee et al.
 D872,469 S 1/2020 Lee et al.
 D872,723 S 1/2020 Lee et al.

D872,724 S 1/2020 Lee et al.
 D873,217 S 1/2020 Zhang
 D878,045 S * 3/2020 Akana D3/274
 2017/0180838 A1* 6/2017 Hemesath A45C 13/002
 2018/0014104 A1* 1/2018 Boesen H04R 1/1025
 2018/0014436 A1* 1/2018 Milevski H05K 9/0007

OTHER PUBLICATIONS

“ZenPod—Spinning Case for Apple AirPods, Air Vinyl Design, Fidget Spinner Leather Case for AirPods (Black | Black Spinner)”, <https://www.amazon.com/dp/B07KQGHWG4>, Earliest review date of Dec. 23, 2018, Downloaded on Jun. 19, 2020.
 “XGUO AirPods Case, Premium Leather Protective Shockproof Cover Case with Lanyard for Apple AirPods 1&2 Charging Case (Pink)”, <https://www.amazon.com/dp/B07KZT8L4J/>, Earliest review date of Jan. 3, 2019, Downloaded on Jun. 19, 2020.
 “Compatible AirPods Leather Case, MICOK Genuine Leather Shockproof Case, Protective Portable Cover Skins for Airpods 1 & AirPods 2”, <https://www.amazon.com/dp/B07M88PH92/>, Earliest review date of Jan. 11, 2019, Downloaded on Jun. 19, 2020.
 “XGUO AirPods Case Genuine Leather Shockproof Skin Cover Case Portable Protective Cover for Apple AirPods 1 & AirPods 2 Charging Case (Gary)”, <https://www.amazon.com/dp/B07KQ2F4KW>, Earliest review date of Jan. 16, 2019, Downloaded on Jun. 19, 2020.
 “XGUO Airpods Leather Case for Airpods 1 & 2 Cover Protective Shockproof Drop Proof Compatible with Apple Airpods Case Support Wireless Charging”, <https://www.amazon.com/dp/B07KZPVW5B>, Earliest review date of Jan. 23, 2019, Downloaded on Jun. 19, 2020.
 “UTOPER AirPods Case Genuine Leather Case for Airpods 2 Cover Portable Stand Case for Apple AirPods 1 & New Airpods 2 Protective Shockproof Case with Buckle and Lanyard (B-Blue)”, <https://www.amazon.com/dp/B07N83ZMND>, Earliest review date of Feb. 27, 2019, Downloaded on Jun. 19, 2020.
 “Fintie Genuine Leather Case for AirPods, Full Protective Shockproof Cover Skin for AirPods 1 and AirPods 2 Charging Case Accessories, Pink”, <https://www.amazon.com/dp/B07K9QYXDF>, Earliest review date of 20190335, Downloaded on Jun. 19, 2020.
 “M-Player iPod Shuffle 2GB Blue (Packaged in White Box with Generic Accessories): MP3 Players & Accessories”, <https://www.amazon.com/dp/B07VB16SNK>, Earliest review date of Nov. 2, 2019, Downloaded on Jun. 19, 2020.

* cited by examiner

FIG. 1

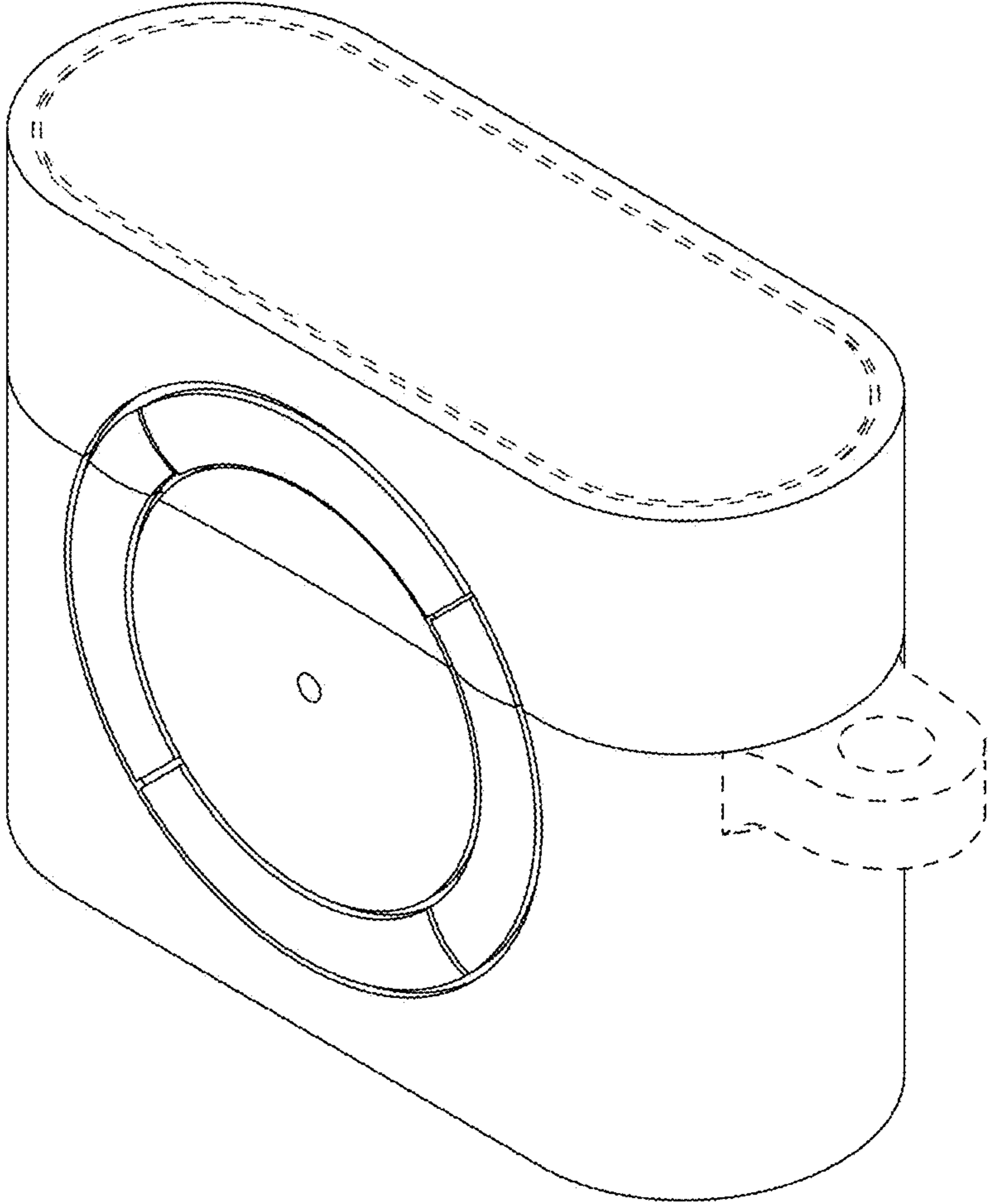


FIG. 2

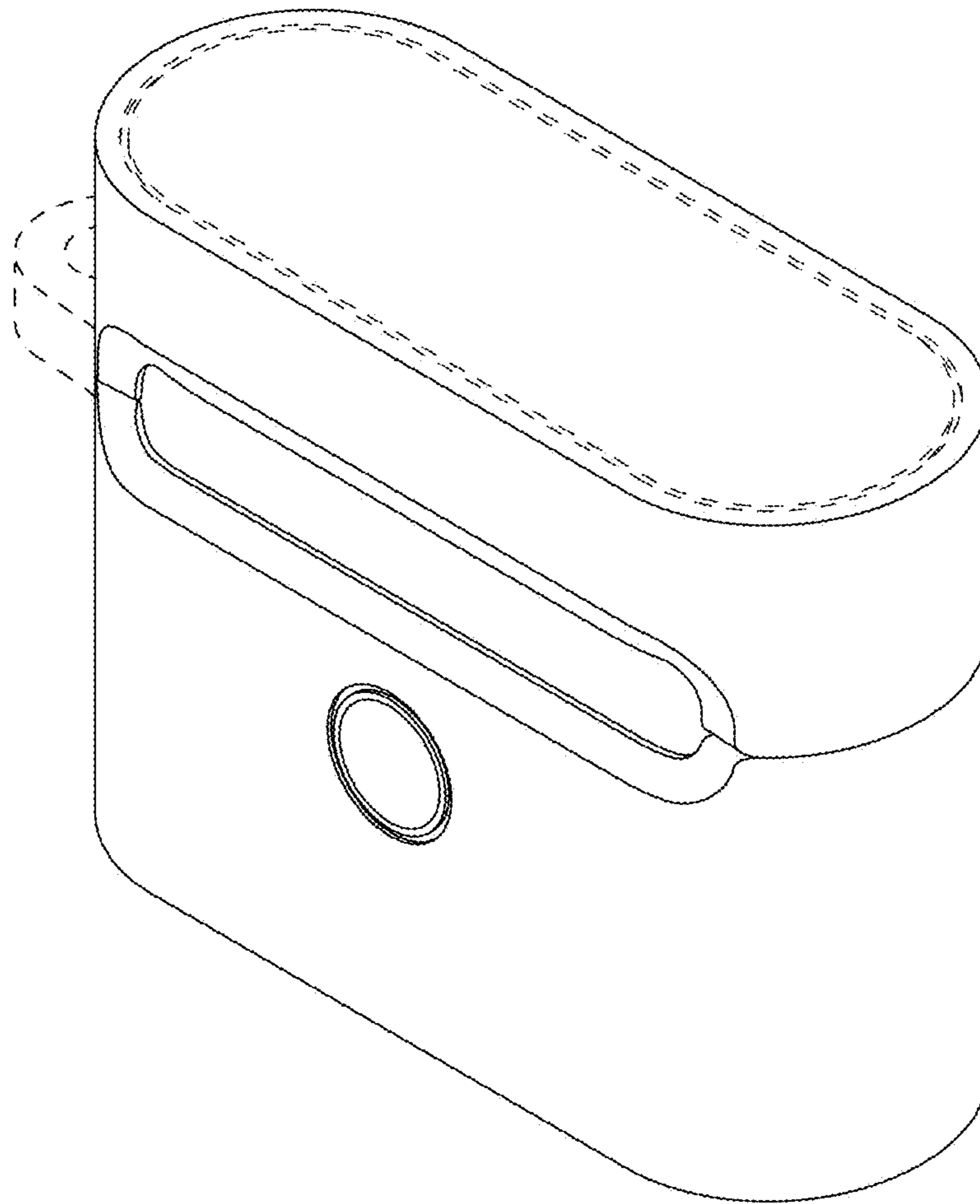


FIG. 3

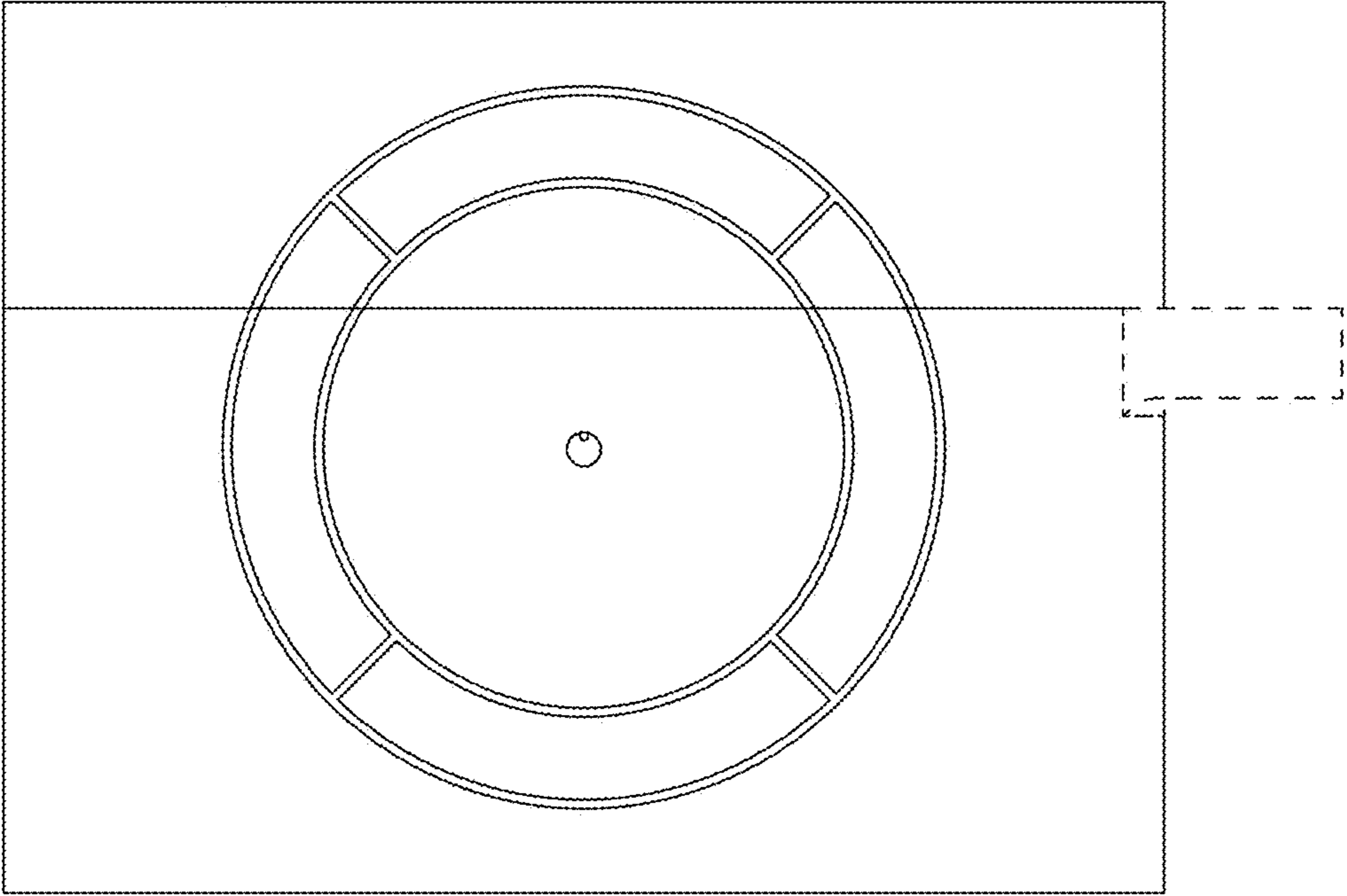


FIG. 4

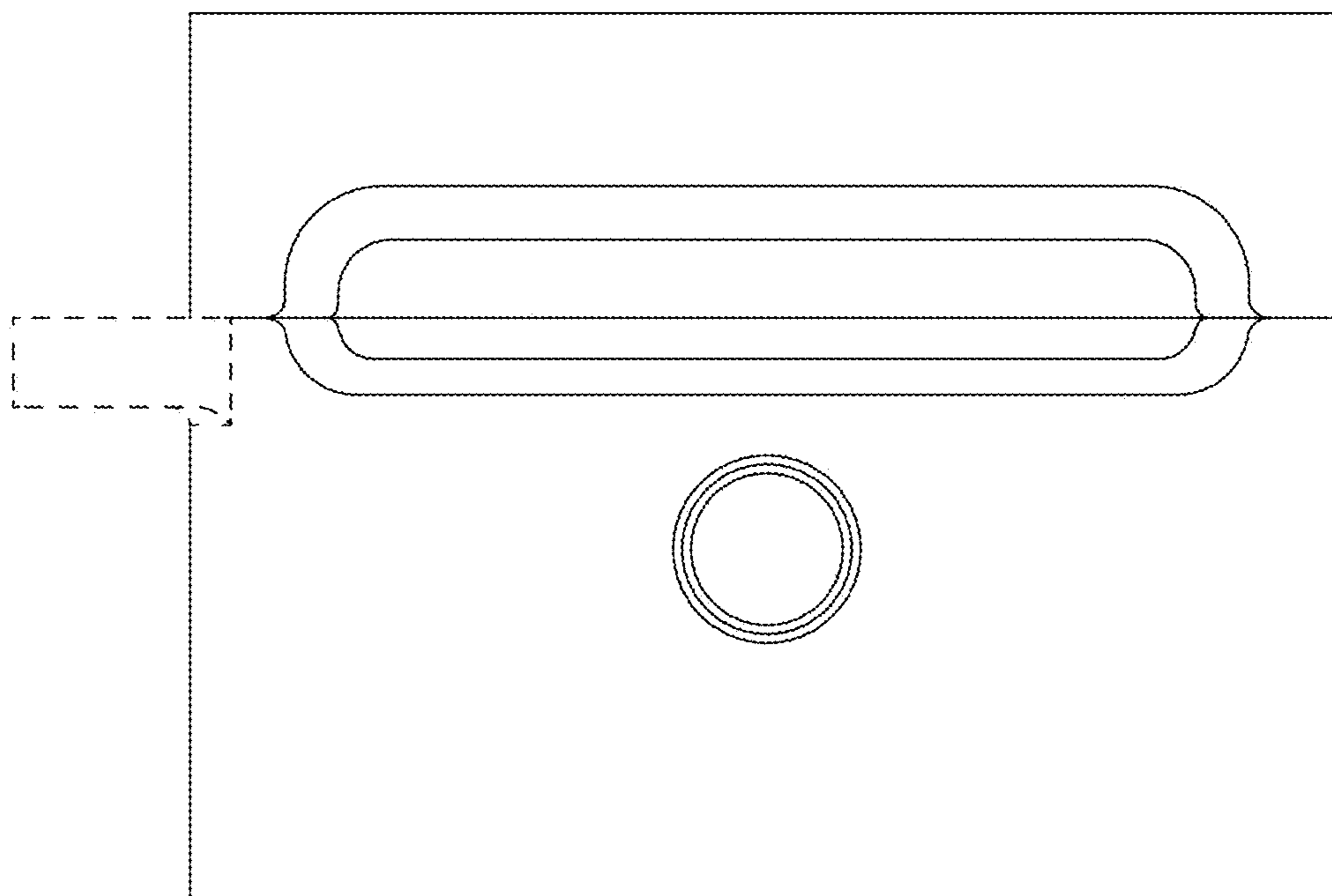


FIG. 5

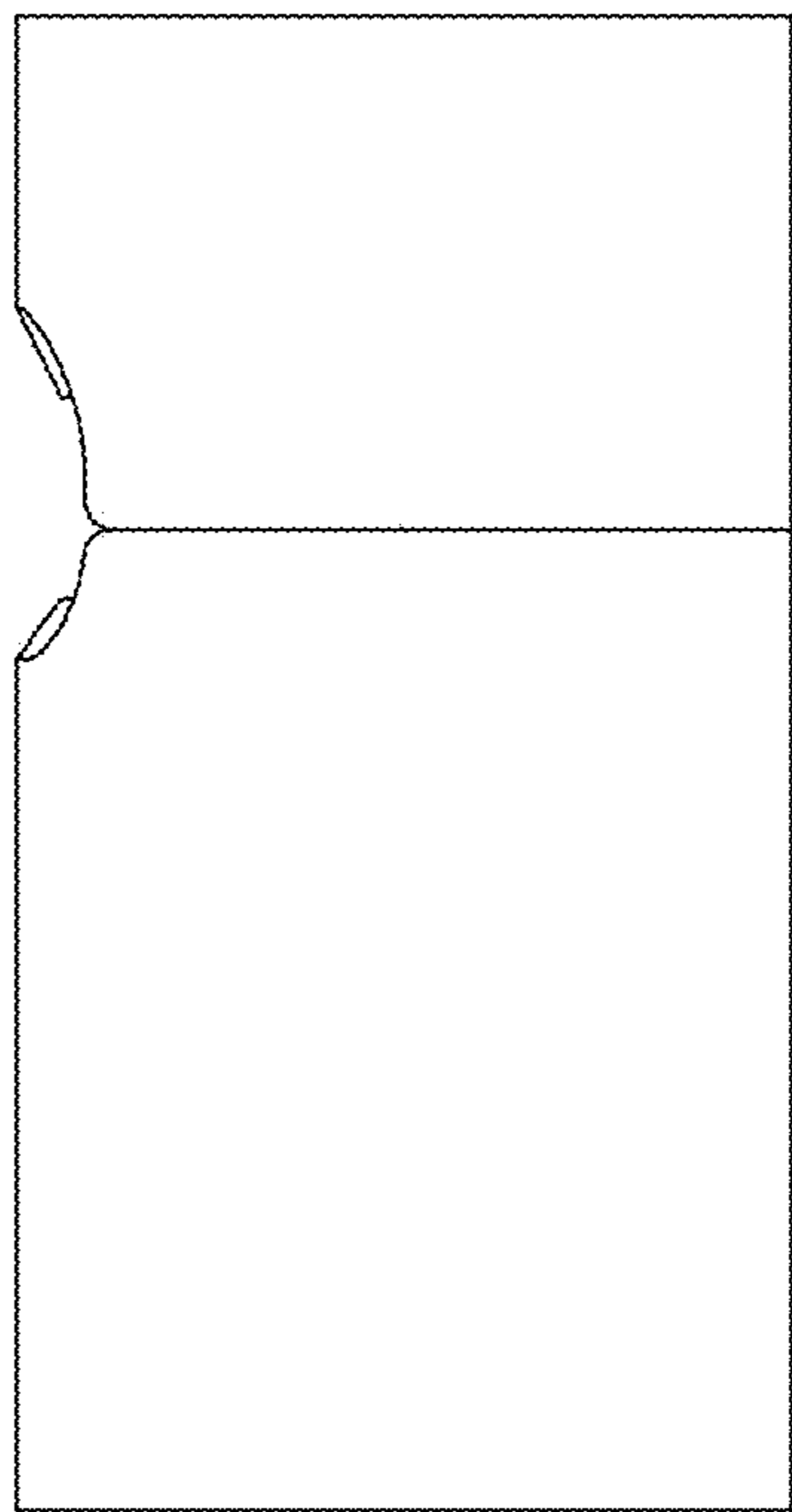


FIG. 6

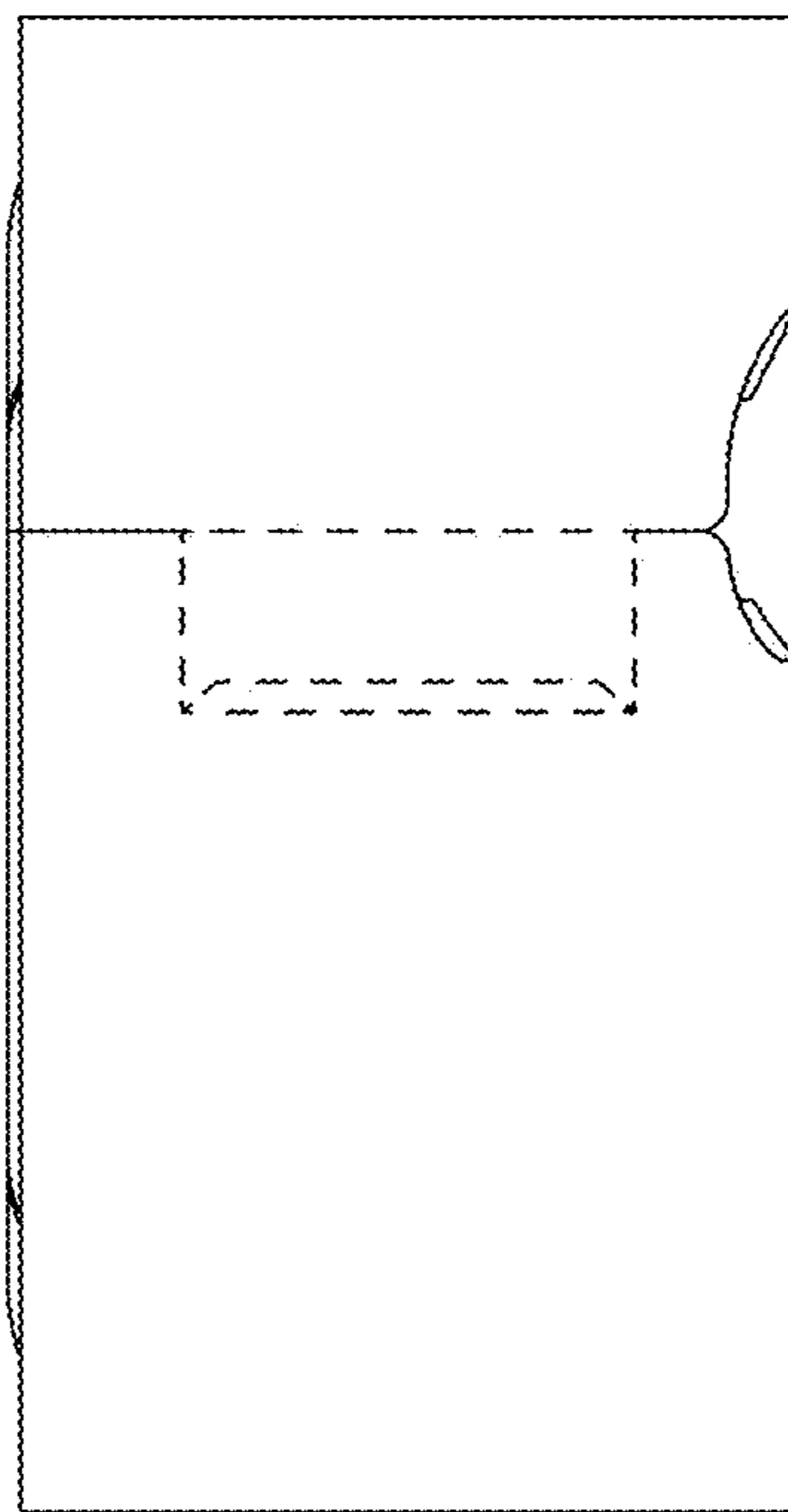


FIG. 7

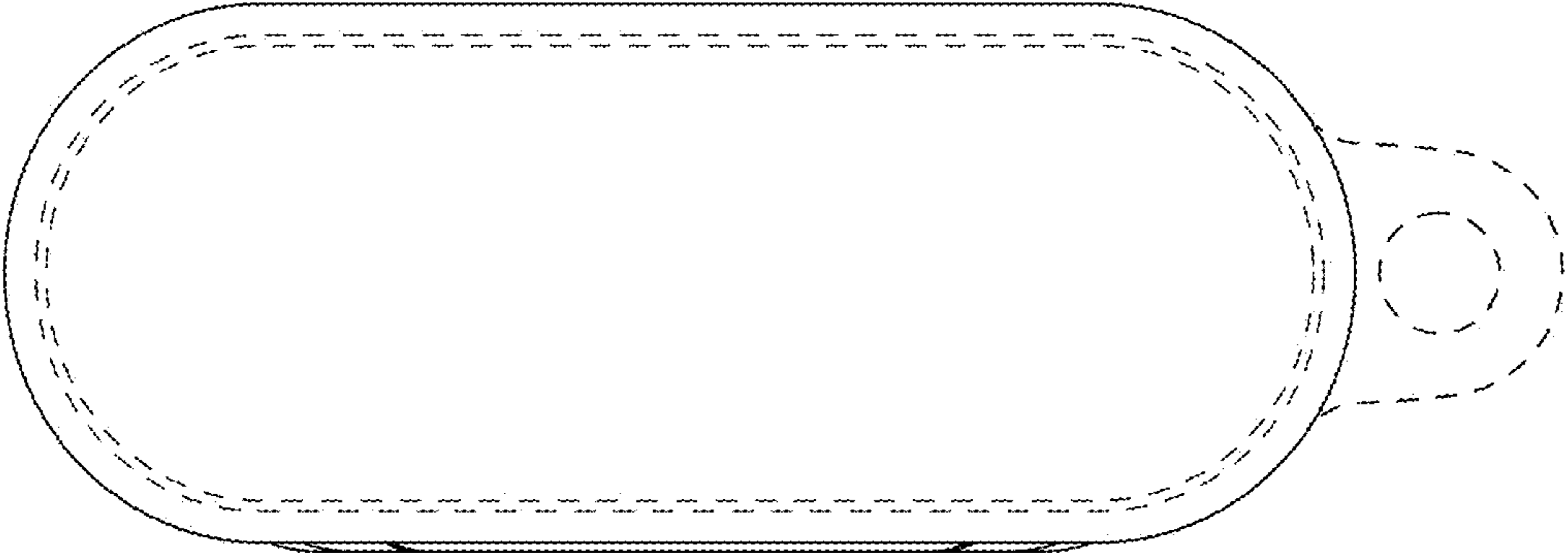


FIG. 8

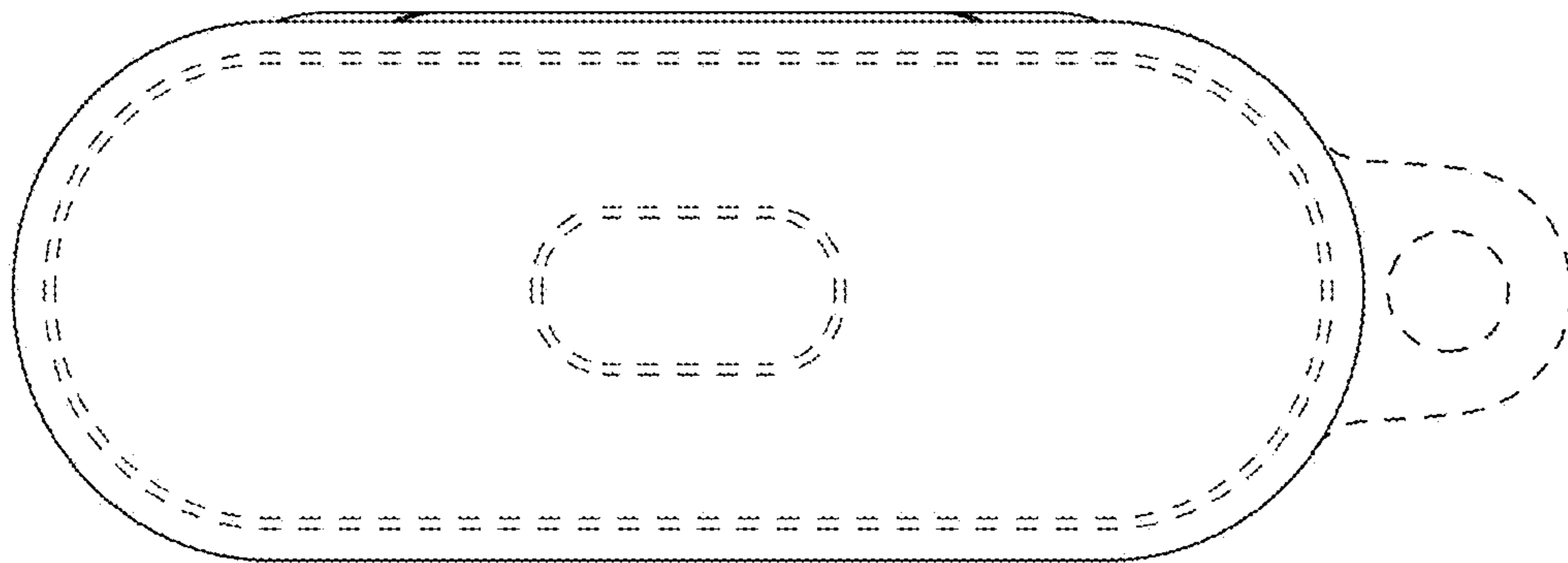


FIG. 9

