



US00D938155S

(12) **United States Design Patent** (10) **Patent No.:** **US D938,155 S**
Nikolic (45) **Date of Patent:** **** Dec. 14, 2021**

(54) **SHOE**

(71) Applicant: **Reebok International Limited**, London (GB)

(72) Inventor: **Ilija Nikolic**, Stoughton, MA (US)

(73) Assignee: **Reebok International Limited**, London (GB)

(**) Term: **15 Years**

(21) Appl. No.: **29/723,249**

(22) Filed: **Feb. 5, 2020**

Related U.S. Application Data

(63) Continuation of application No. 29/641,009, filed on Mar. 19, 2018, now Pat. No. Des. 878,026.

(51) **LOC (13) Cl.** **02-04**

(52) **U.S. Cl.**

USPC **D2/960**; D2/947; D2/951

(58) **Field of Classification Search**

USPC D2/902, 906, 908, 916, 918, 925, D2/946-962, 977, 972, 973, 978; 36/3 B, 36/22 R, 24.5, 25 R, 28, 32 R, 34 R, 36/59 C, 67 A, 103

CPC A43B 13/00; A43B 13/02; A43B 13/023; A43B 13/026; A43B 13/04; A43B 13/08; A43B 13/10; A43B 13/12; A43B 13/14; A43B 13/141; A43B 13/143; A43B 13/16; A43B 13/18; A43B 13/181; A43B 13/187; A43B 13/189; A43B 13/20; A43B 13/22; A43B 13/223; A43B 13/24; A43B 13/28; A43B 13/30; A43B 13/32; A43B 13/34; A43B 13/36

See application file for complete search history.

(56) **References Cited**

U.S. PATENT DOCUMENTS

1,523,956 A	1/1925	Grosjean	
D229,252 S	11/1973	Edmonds	
D339,456 S	9/1993	Kayano	
D395,743 S	7/1998	Ryan	
D397,544 S	9/1998	Egelja	
D398,144 S	9/1998	Egelja	
D401,740 S	12/1998	Davis	
D413,197 S *	8/1999	Faye	D2/978
6,076,284 A	6/2000	Terlizzi	
D511,884 S *	11/2005	Hatfield	D2/972
D512,828 S *	12/2005	Kubo	D2/947
D554,840 S	11/2007	McClaskie	
D571,988 S	7/2008	Dillenbeck	
D584,887 S	1/2009	Earle	
D609,439 S	2/2010	Walton	
D609,894 S	2/2010	Andersen et al.	
D635,755 S	4/2011	McMillan	
D646,878 S *	10/2011	Huynh	D2/972
D649,756 S	12/2011	Thornhill	

(Continued)

Primary Examiner — T Chase Nelson

(74) *Attorney, Agent, or Firm* — Sterne, Kessler, Goldstein & Fox P.L.L.C.

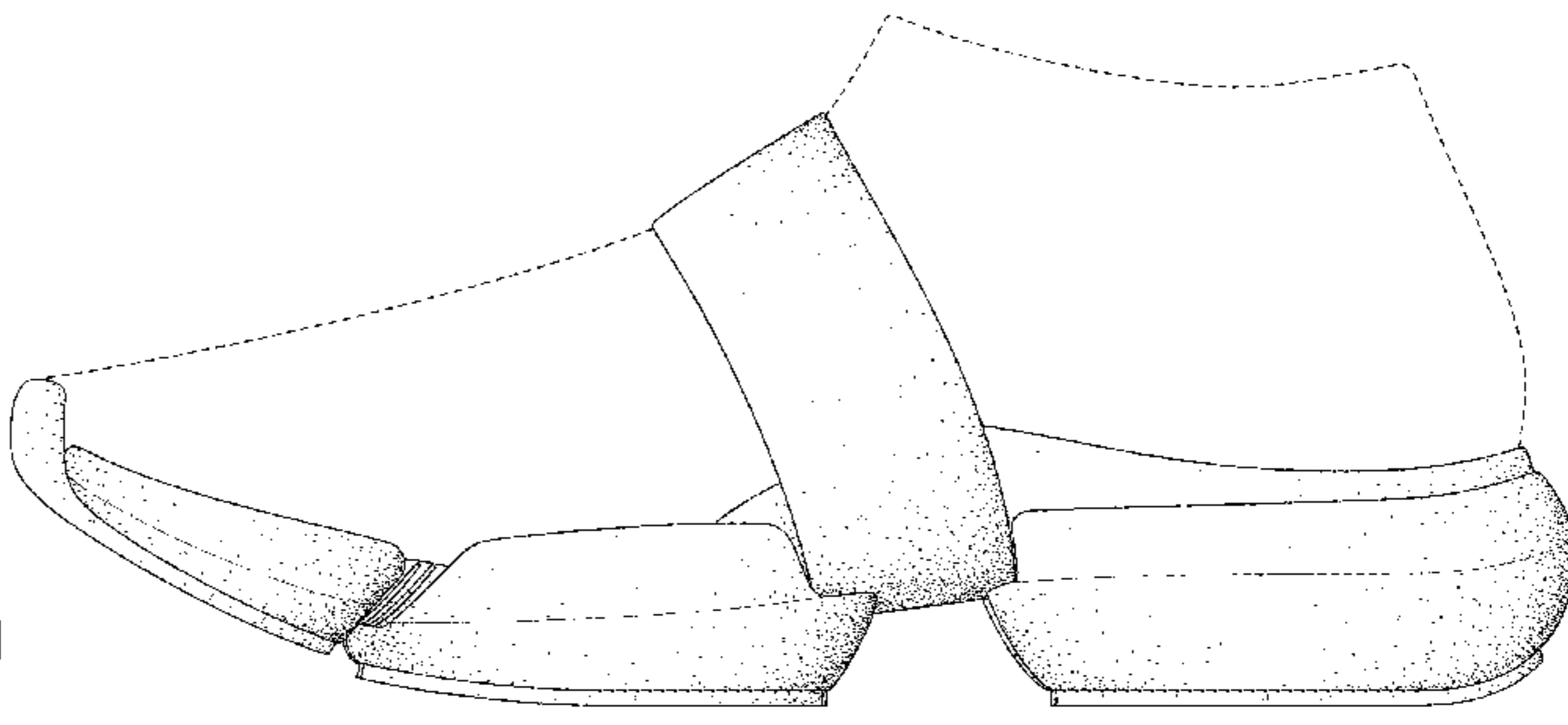
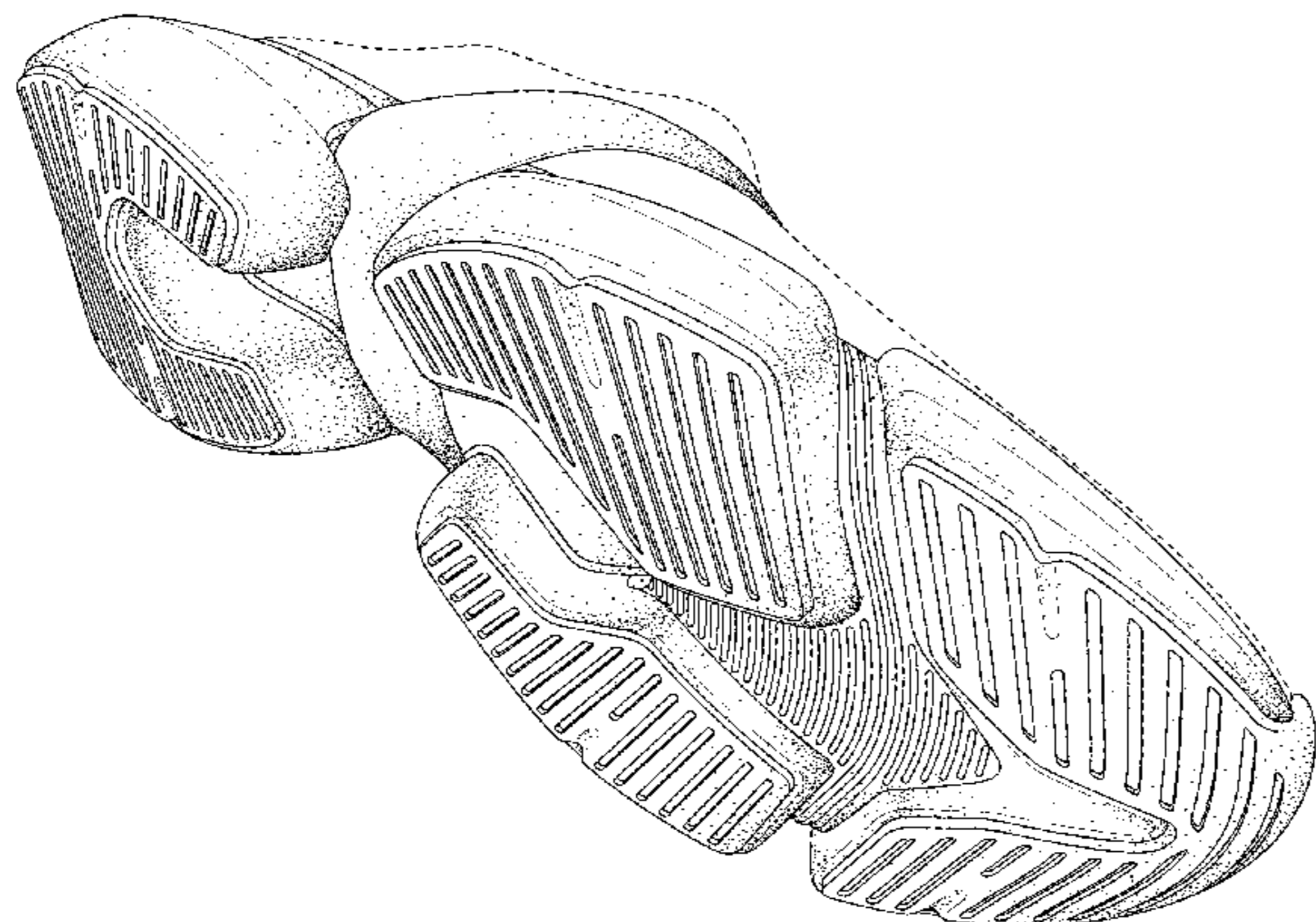
(57) **CLAIM**

The ornamental design for a shoe, as shown and described.

DESCRIPTION

FIG. 1 is a top front perspective view of a shoe showing the claimed design;
FIG. 2 is a bottom front perspective view thereof;
FIG. 3 is a front view thereof;
FIG. 4 is a rear view thereof;
FIG. 5 is a left side view thereof;
FIG. 6 is a right side view thereof;
FIG. 7 is a top view thereof; and,
FIG. 8 is a bottom view thereof.
The broken lines in the figures show portions of the shoe that form no part of the claimed design.

1 Claim, 8 Drawing Sheets



(56)

References Cited

U.S. PATENT DOCUMENTS

D738,077 S 9/2015 Montross et al.
 D756,619 S 5/2016 Monroy
 D768,372 S * 10/2016 Bernardoni D2/972
 D793,709 S * 8/2017 Remy D2/972
 D794,309 S * 8/2017 Kanata D2/972
 D794,315 S * 8/2017 Kanata D2/973
 D797,435 S * 9/2017 Hardman D2/973
 D798,037 S 9/2017 Montross et al.
 D799,194 S * 10/2017 Hardman D2/973
 D809,278 S * 2/2018 Petrie D2/973
 D809,766 S * 2/2018 Remy D2/972
 D813,522 S * 3/2018 Cin D2/973
 D821,721 S 7/2018 Durflinger
 D821,722 S 7/2018 Chang
 D826,526 S 8/2018 Small
 D839,576 S 2/2019 Small
 D840,662 S * 2/2019 Kuerbis D2/972
 D841,954 S 3/2019 Petrenka
 D843,704 S 3/2019 Hong
 D844,944 S 4/2019 Theodorus van Oudvors
 D851,385 S * 6/2019 Kenison D2/978
 D851,875 S 6/2019 Jacobs
 D851,885 S 6/2019 Sebastian
 D862,859 S 10/2019 Gerig
 D862,860 S 10/2019 Sokol
 D864,535 S * 10/2019 Johnson D2/946
 10,470,521 B2 * 11/2019 Iuchi A43B 13/185
 10,477,918 B2 * 11/2019 Dirsra A43B 13/141
 D870,439 S * 12/2019 Petrie A43B 13/185
 D872,448 S * 1/2020 Young D2/972

D875,379 S * 2/2020 Makere D2/973
 D878,026 S * 3/2020 Nikolic D2/960
 D880,829 S * 4/2020 Gerig D2/960
 D883,617 S * 5/2020 Spring D2/902
 D888,405 S * 6/2020 Ruark D2/973
 10,716,356 B2 * 7/2020 Bell A43B 3/06
 D893,153 S * 8/2020 Lee D2/960
 D896,488 S * 9/2020 Page D2/953
 D899,038 S * 10/2020 Thompson D2/947
 D904,746 S * 12/2020 Webb D2/972
 D904,752 S * 12/2020 Nethongkome D2/973
 D908,341 S * 1/2021 Seemarks D2/973
 D912,946 S * 3/2021 Felloni D2/908
 10,952,498 B2 * 3/2021 Bruce A43B 13/20
 D915,046 S * 4/2021 Odinot D2/953
 D915,052 S * 4/2021 Odinot D2/960
 D917,137 S * 4/2021 Carson D2/947
 D917,849 S * 5/2021 Rinella D2/953
 D918,557 S * 5/2021 Gerig D2/960
 D919,262 S * 5/2021 Brosseau D2/947
 D922,758 S * 6/2021 Blauer D2/978
 D923,925 S * 7/2021 Bramani D2/960
 D924,546 S * 7/2021 Schaetz D2/916
 11,109,636 B2 * 9/2021 Arin A43B 23/0245
 2010/0293815 A1 11/2010 Ferrigan et al.
 2012/0023781 A1 2/2012 Dojan
 2019/0246738 A1 8/2019 Connell et al.
 2019/0335847 A1 * 11/2019 Soderqvist A43B 13/02
 2020/0146396 A1 * 5/2020 Gambacorta A43B 13/188
 2021/0030112 A1 * 2/2021 Amoako A43B 13/181
 2021/0045497 A1 * 2/2021 Cruz A43B 3/16
 2021/0145117 A1 * 5/2021 Montross A43B 13/20
 2021/0169170 A1 * 6/2021 Fahmi A43B 13/20

* cited by examiner

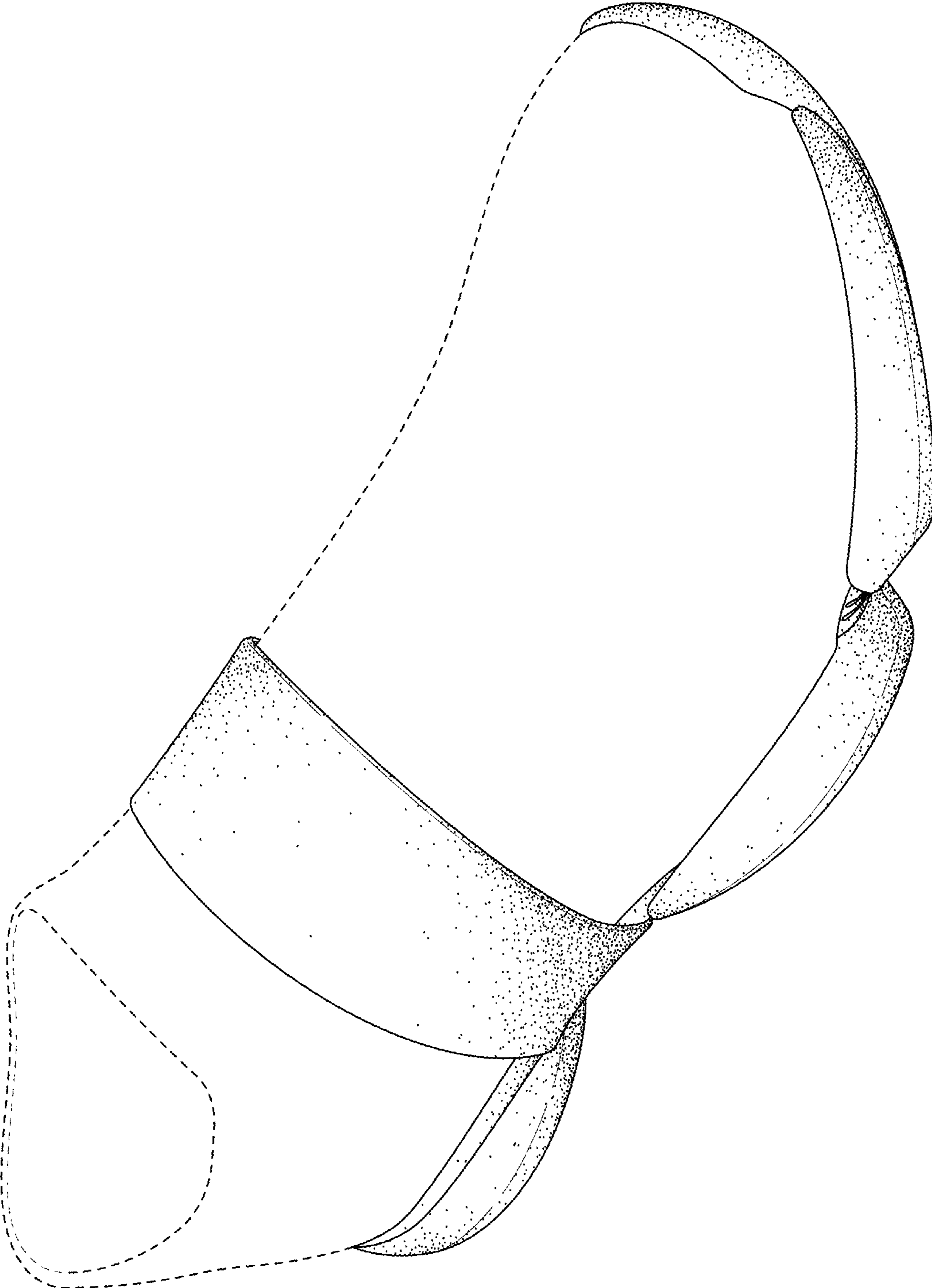


FIG. 1

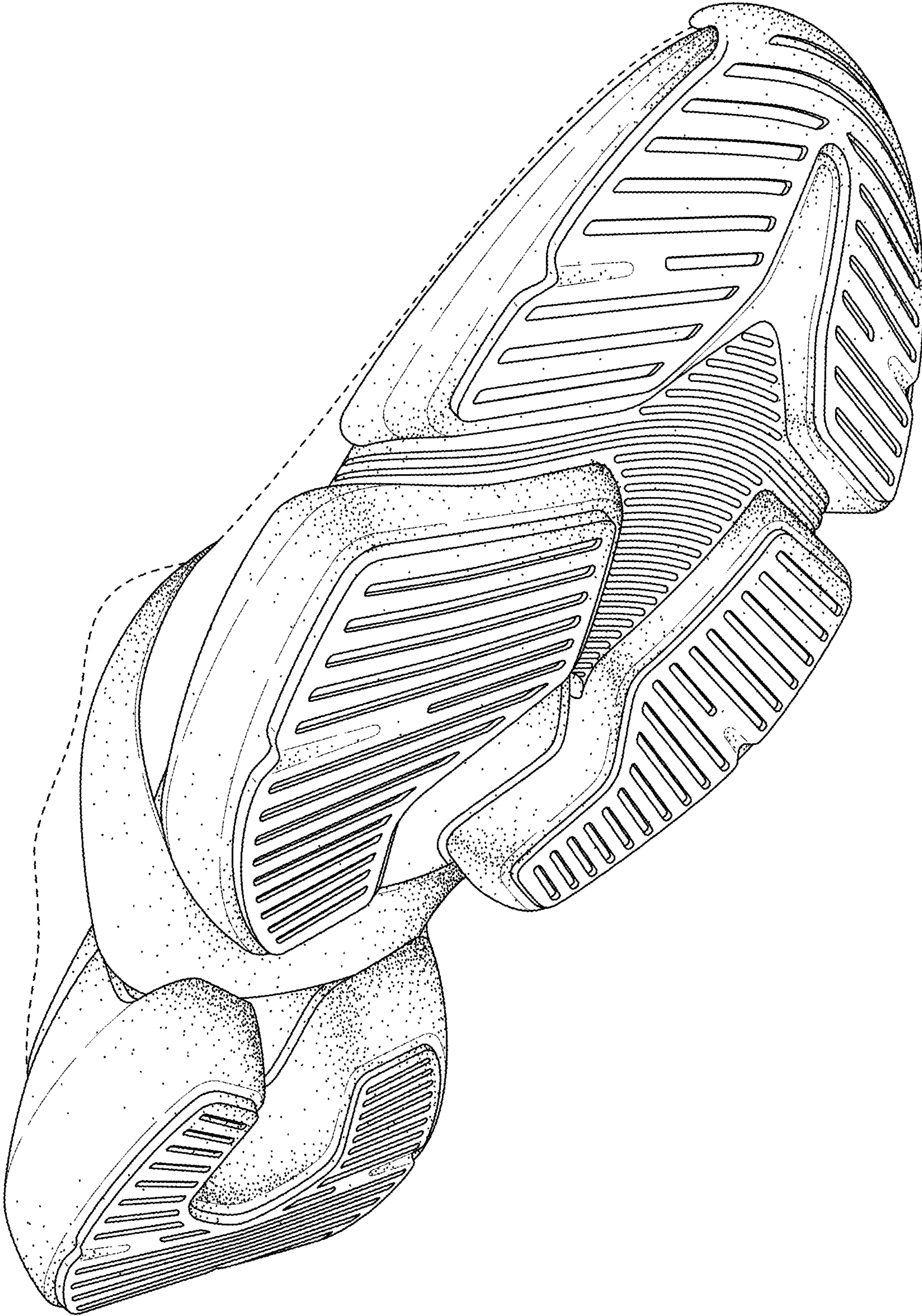


FIG. 2

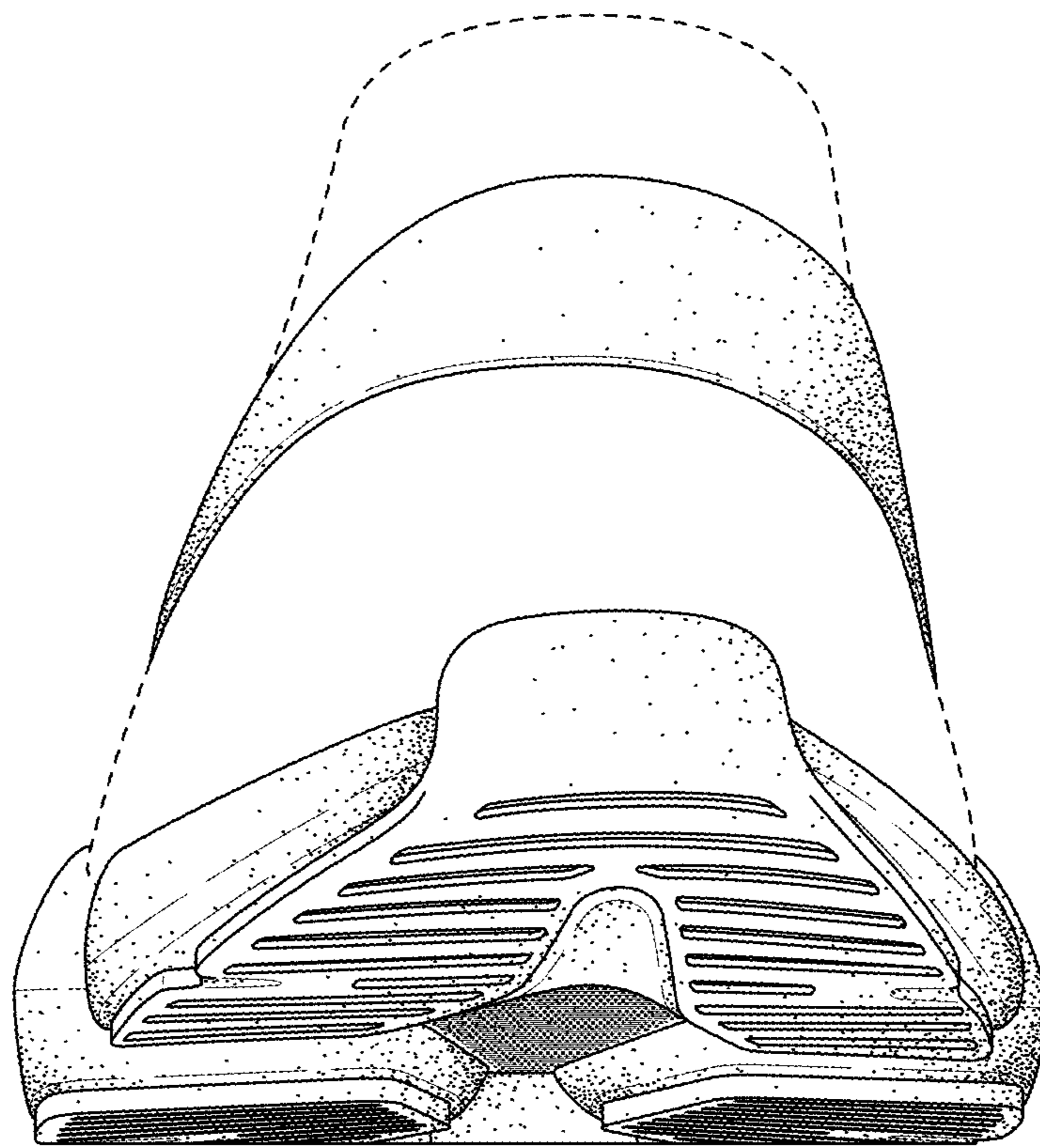


FIG. 3

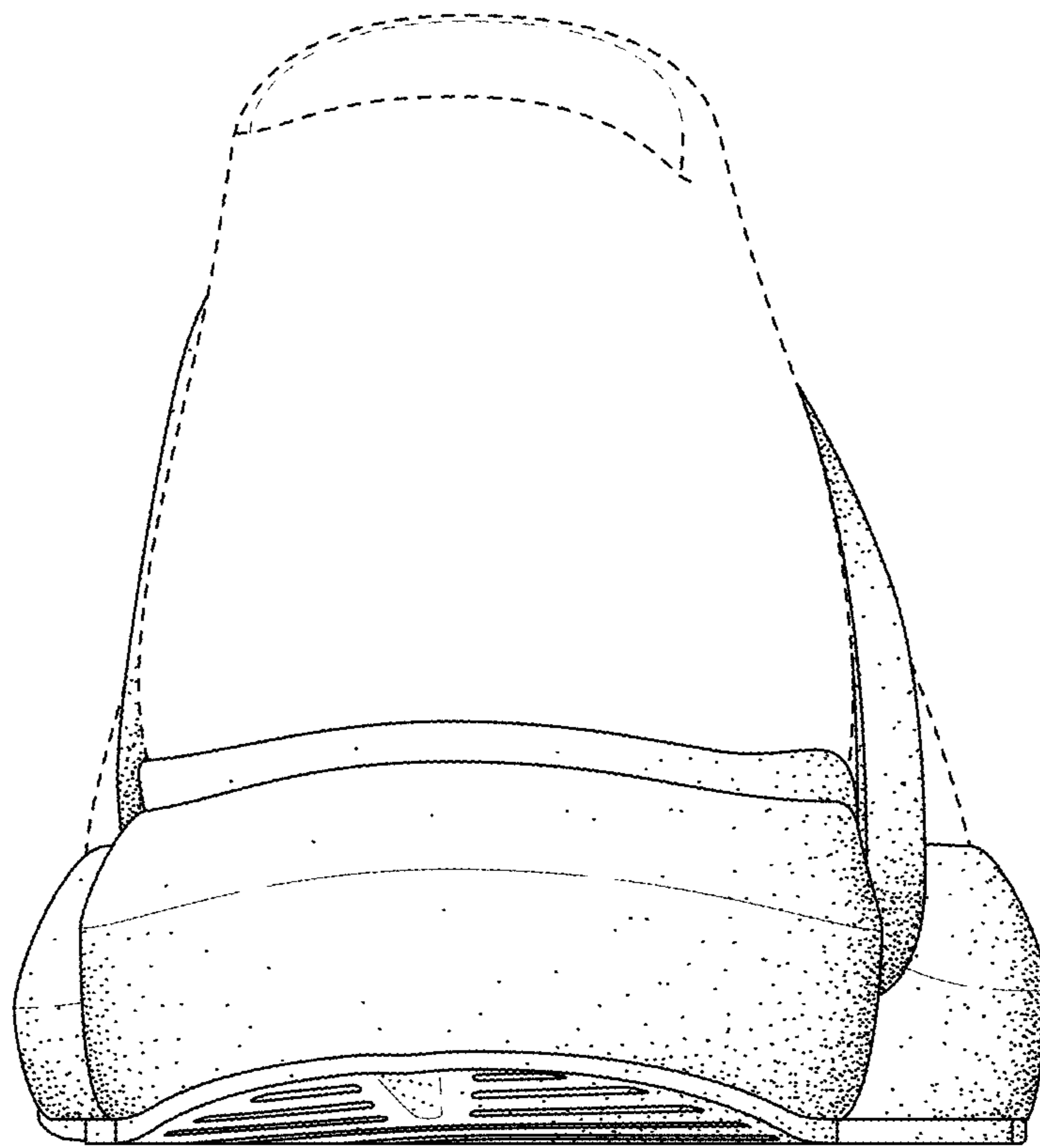


FIG. 4

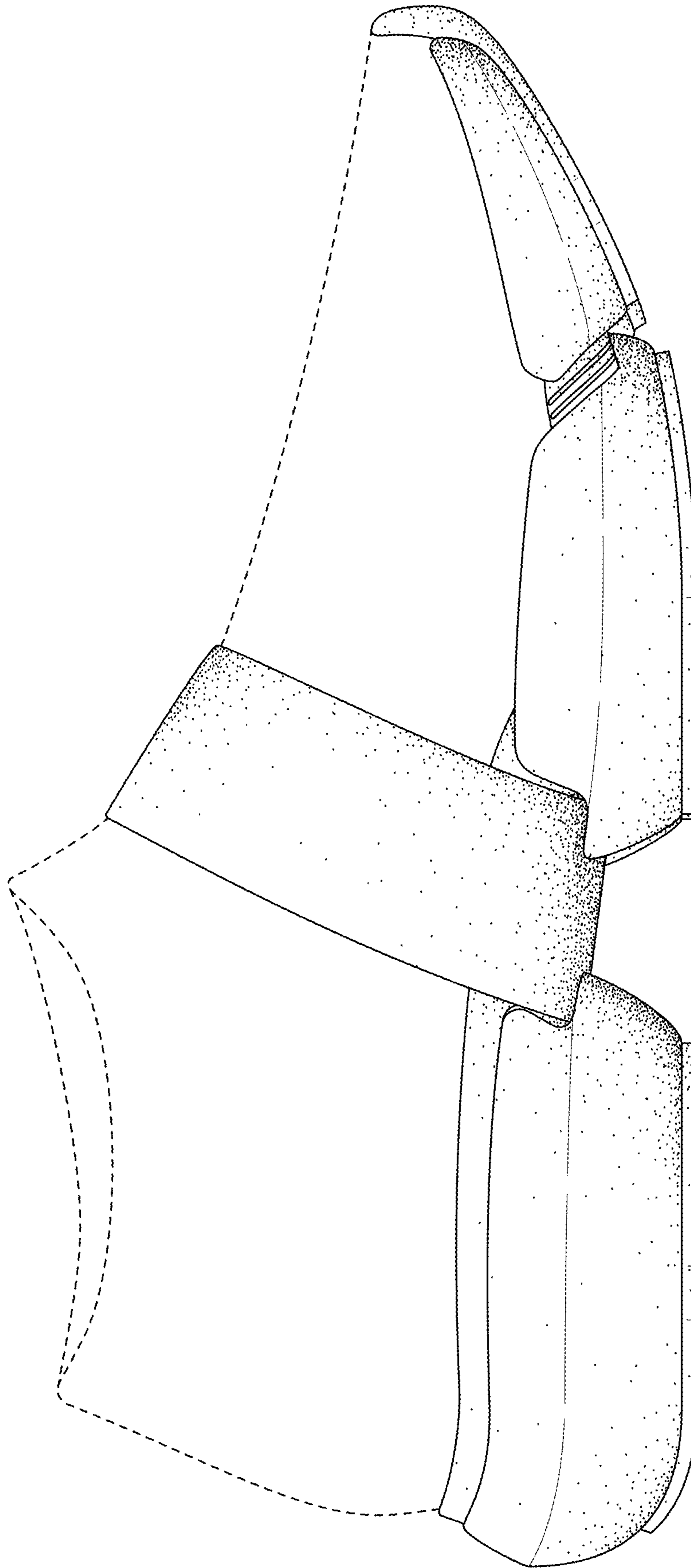


FIG. 5

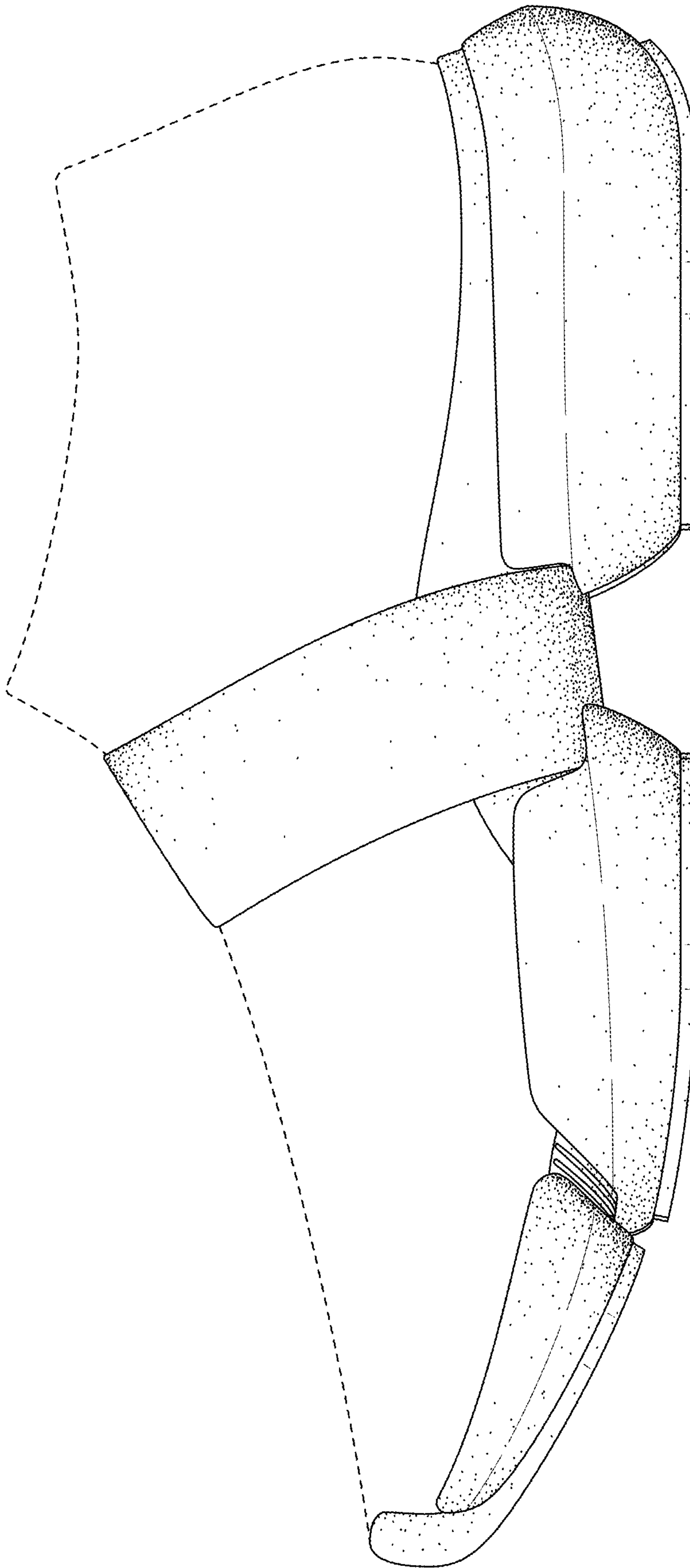


FIG. 6

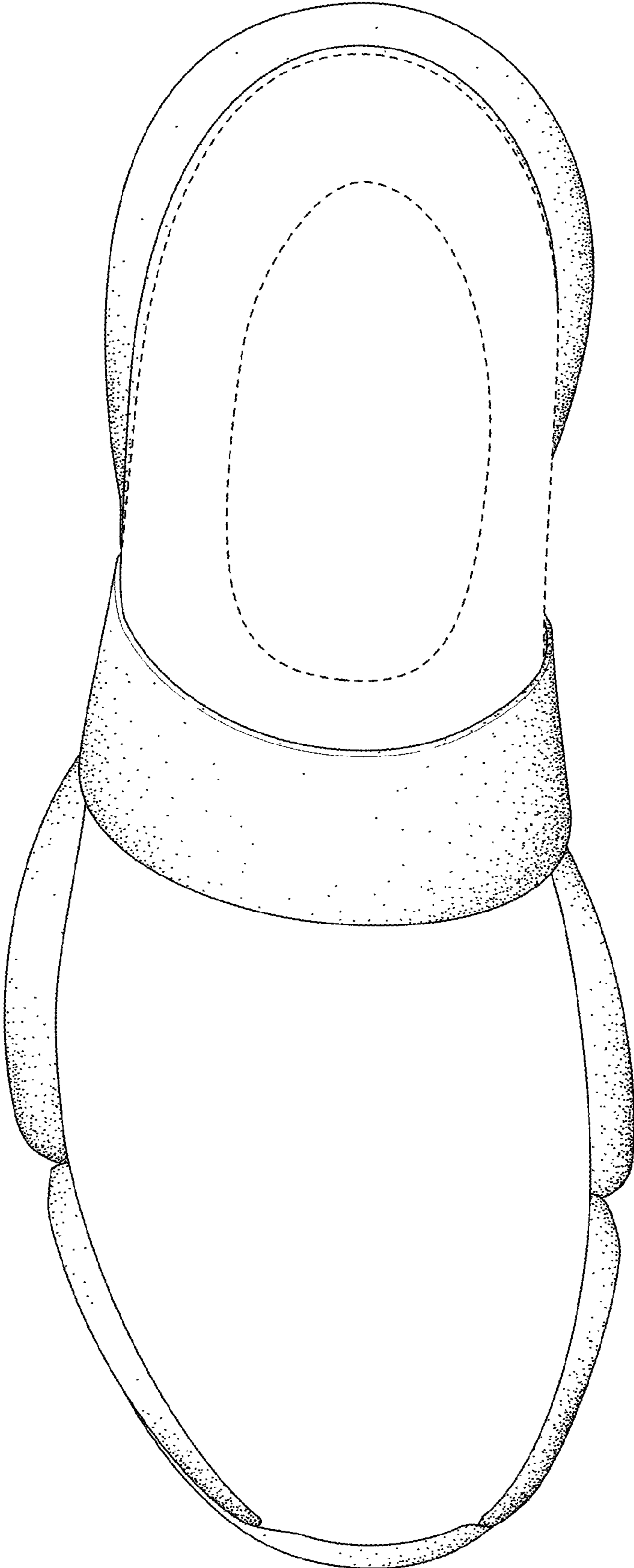


FIG. 7

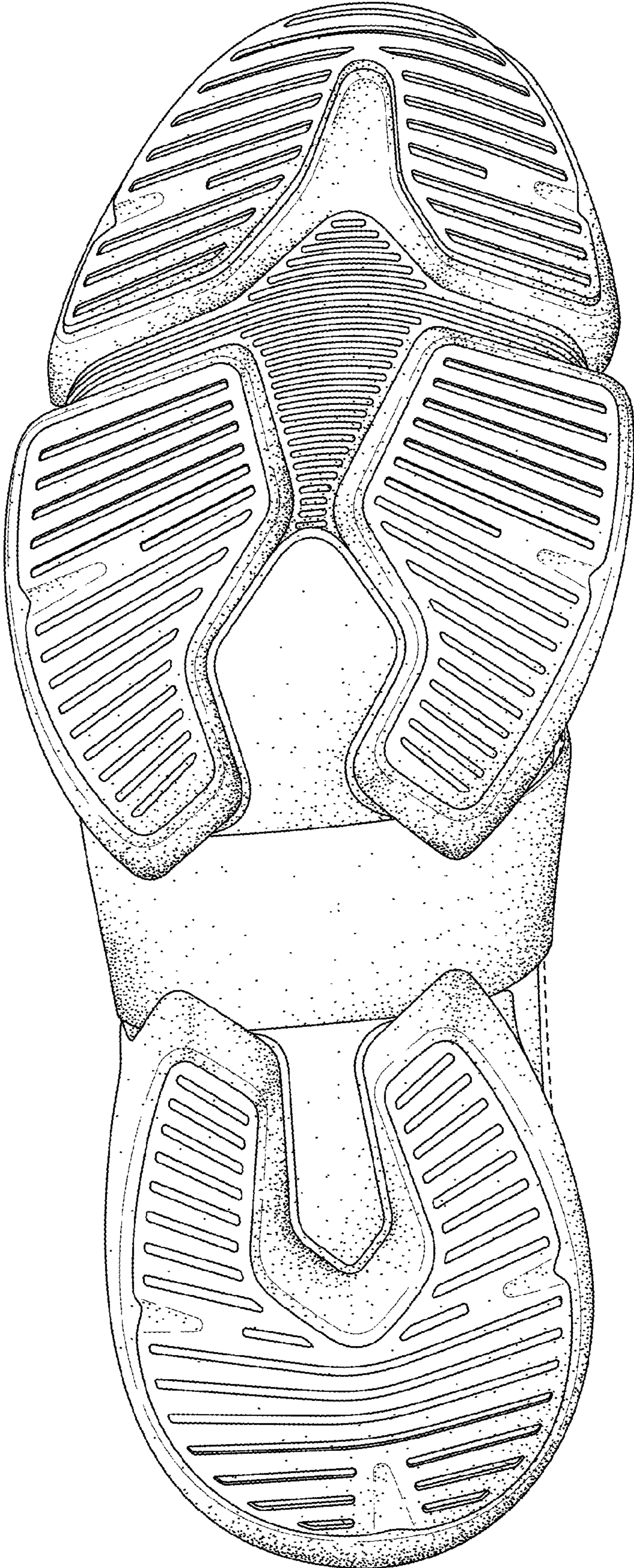


FIG. 8