



US00D938142S

(12) **United States Design Patent**
Bolden

(10) **Patent No.:** **US D938,142 S**

(45) **Date of Patent:** **** *Dec. 14, 2021**

(54) **WEARABLE DOG WALKING APRON**

FOREIGN PATENT DOCUMENTS

(71) Applicant: **Prudence Bolden**, Irvine, CA (US)

JP 2017042066 * 3/2017

(72) Inventor: **Prudence Bolden**, Irvine, CA (US)

OTHER PUBLICATIONS

(*) Notice: This patent is subject to a terminal disclaimer.

Freshstart Dogipack posted to amazon.com. Available date: Feb. 25, 2018 [site visited Nov. 16, 2020] Available: <https://www.amazon.com/FreshStart-DogiPack-Hands-Organizational-Walking/dp/B07B9TK6YR?th=1> (Year: 2018).*

(**) Term: **15 Years**

(Continued)

(21) Appl. No.: **29/689,021**

(22) Filed: **Apr. 26, 2019**

Primary Examiner — Kevin K Rudzinski
(74) *Attorney, Agent, or Firm* — Mitchell Law PLLC;
Matthew W. Mitchell

Related U.S. Application Data

(63) Continuation of application No. 29/673,500, filed on Dec. 14, 2018, now Pat. No. Des. 851,866.

(51) **LOC (13) Cl.** **02-02**

(52) **U.S. Cl.**
USPC **D2/864**

(58) **Field of Classification Search**
USPC D2/864; D3/221, 224, 223
CPC A45C 9/00
See application file for complete search history.

(57) **CLAIM**

The ornamental design for a wearable dog walking apron, as shown and described.

DESCRIPTION

FIG. 1 is a front isometric view of the wearable dog walking apron of the present invention;
FIG. 2 is rear isometric view thereof;
FIG. 3 is a front view thereof;
FIG. 4 is a rear view thereof;
FIG. 5 is a left side view thereof;
FIG. 6 is a right side view thereof;
FIG. 7 is a top plan view thereof; and,
FIG. 8 is a bottom plan view thereof.

The broken lines shown around the perimeter of the pockets represent stitching and form part of the claimed design. The broken lines showing mechanical fasteners on the strap, the carabiner, the D-shaped links, and the graphic indicia, illustrate portions of the wearable dog walking apron that are not claimed. The cross hatching shown indicates a fabric material only and does not represent any particular color, texture, pattern, or finish of fabric, except for the cross-hatched pocket on the front right pocket with respect to FIG. 3, there the hatching represents a mesh fabric.

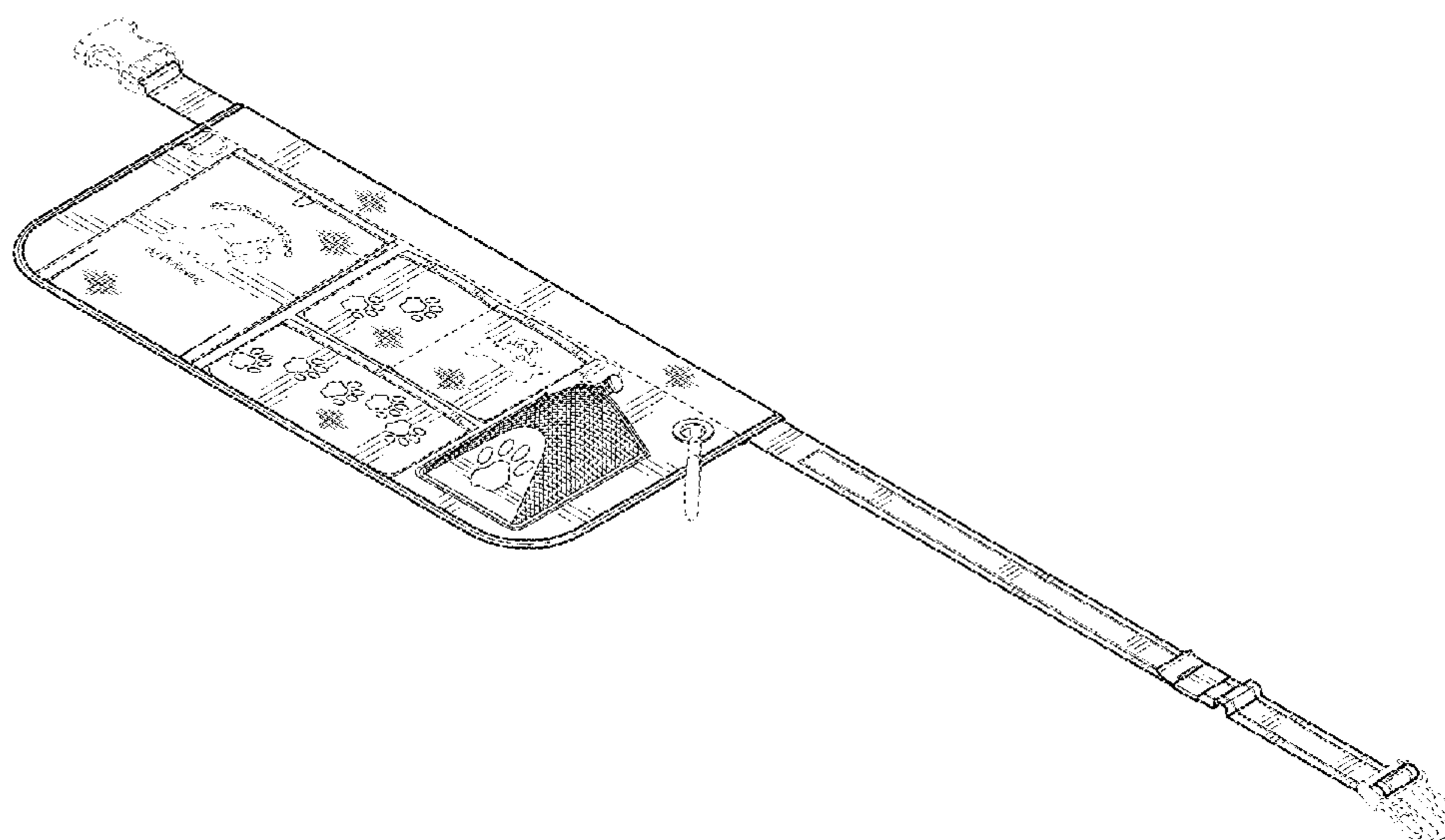
(56) **References Cited**

U.S. PATENT DOCUMENTS

1,675,072	A *	6/1928	Watermon	A41D 13/04 224/162
5,024,361	A *	6/1991	Flowers	A45C 13/02 224/223
D346,493	S *	5/1994	Nichols	D3/224
D348,565	S *	7/1994	Cummins	224/663
5,447,227	A *	9/1995	Kosberg	A01K 1/035 206/223
D365,928	S *	1/1996	Sauer	D3/224
D436,243	S *	1/2001	Hoy	D2/860
6,202,215	B1 *	3/2001	Sauter	A41D 13/0012 2/51

(Continued)

1 Claim, 8 Drawing Sheets



(56)

References Cited

U.S. PATENT DOCUMENTS

6,257,473 B1 * 7/2001 Ringelstetter E01H 1/1206
 119/795
 D461,945 S * 8/2002 Byrd D2/860
 6,732,834 B2 * 5/2004 Colorado A62B 35/0031
 182/3
 D496,787 S * 10/2004 Cabrera D3/228
 7,007,832 B1 * 3/2006 Payne A45D 44/02
 224/660
 7,073,462 B1 * 7/2006 Layman A01K 27/008
 119/161
 D538,036 S * 3/2007 Buck D3/224
 D539,509 S 4/2007 Fugazzi
 D550,956 S * 9/2007 Kendrick D3/221
 D586,552 S * 2/2009 Shumate D3/221
 D608,530 S * 1/2010 Williams D2/864
 D621,136 S * 8/2010 Williams D2/864
 D630,012 S * 1/2011 Pomerantz D3/221
 D630,841 S * 1/2011 Pomerantz D3/221
 D661,484 S * 6/2012 Hamra D3/224
 D664,327 S * 7/2012 Lauro D2/728
 D668,862 S * 10/2012 Pomerantz D3/224
 8,397,915 B2 * 3/2013 Davidson A45F 5/02
 206/581
 D692,642 S * 11/2013 Nordbruch D2/864
 D702,894 S 4/2014 Bayless
 D733,978 S 7/2015 Bayless
 9,078,417 B1 * 7/2015 Lees A45F 5/04
 9,107,738 B2 * 8/2015 Kilbey A61F 5/028
 D747,854 S * 1/2016 Grant D2/864
 D757,399 S * 5/2016 Kalfas D2/864
 D793,719 S * 8/2017 Pomerantz D3/221
 D808,644 S * 1/2018 Overton D3/226
 9,861,078 B1 * 1/2018 Mantelli A01K 27/003
 D851,866 S * 6/2019 Bolden D2/864

D865,356 S * 11/2019 Chen D3/226
 D880,851 S * 4/2020 Liu D3/224
 10,775,142 B1 * 9/2020 Pineda F42B 39/02
 10,897,943 B1 * 1/2021 Pagano A45C 13/26
 2008/0190980 A1 * 8/2008 Overton A45F 3/14
 224/664
 2014/0124559 A1 * 5/2014 Pomerantz A45F 3/14
 224/582
 2016/0000198 A1 1/2016 Labadini
 2019/0014888 A1 * 1/2019 Duncan A45F 3/14

OTHER PUBLICATIONS

Ezydog Snakpak Pro, posted to amazon.com. Available date: Jul. 7, 2015 [site visited Nov. 16, 2020] Available: <<https://www.amazon.com/EzyDog-Wearable-Waterproof-Training-Dispenser/dp/B011U3ZQTK>> (Year: 2015).*

Dog Training Tips: The 11 Best Dog Treat Pouches, posted to pawsh-magazine.com. Available date: Oct. 6, 2014 [site visited Nov. 16, 2020] Available: <<https://pawsh-magazine.com/2014/10/dog-training-the-11-best-dog-treat-pouches.html>> (Year: 2014).*

Outward Hound Kyjen 2530 Hands Free Hipster Leash posted to amazon.com. Available date: Apr. 30, 2012 [site visited Apr. 7, 2021] Available: <https://www.amazon.com/Outward-Hound-Hands-Leash-Green/dp/B0081XIML2/?ref=pd_sim_sbs_petsupplies_1> (Year: 2012).*

Furry Buddy Hands Free Dog Leash posted to k davidvolk.com. Available date: May 3, 2018 [site visited Apr. 7, 2021] Available: <https://www.kdavidvolk.com/index.php?main_page=product_info&products_id=680158> (Year: 2018).*

Hands Free Dog Leash, Dog Walking and Training Belt posted to amazon.com. Available date: Jun. 24, 2018 [site visited Apr. 7, 2021] Available: <<https://www.amazon.com/Walking-Training-Absorbing-Bungee-180lbs/dp/B07DZZG3KV>> (Year: 2018).*

* cited by examiner

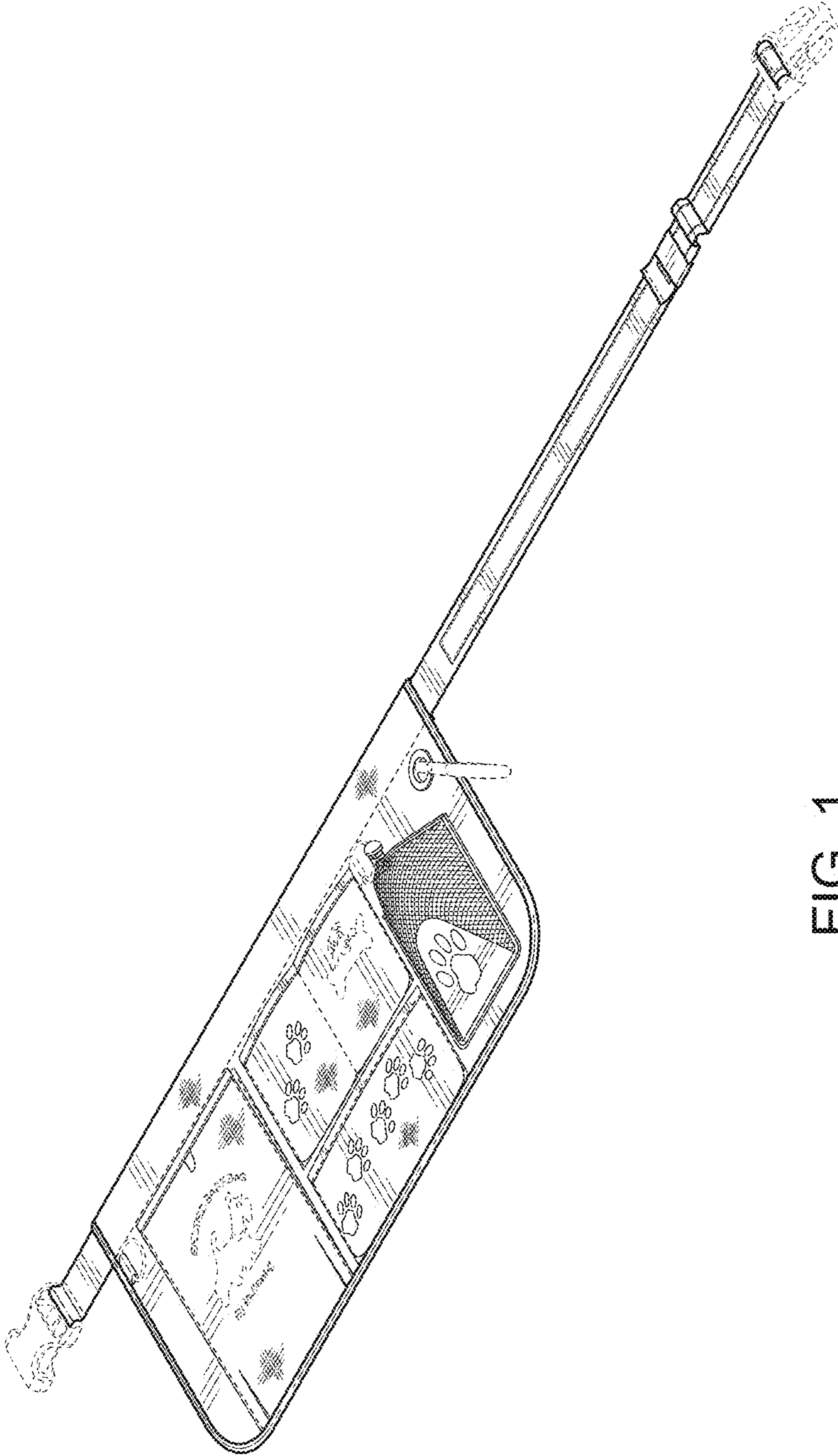


FIG. 1

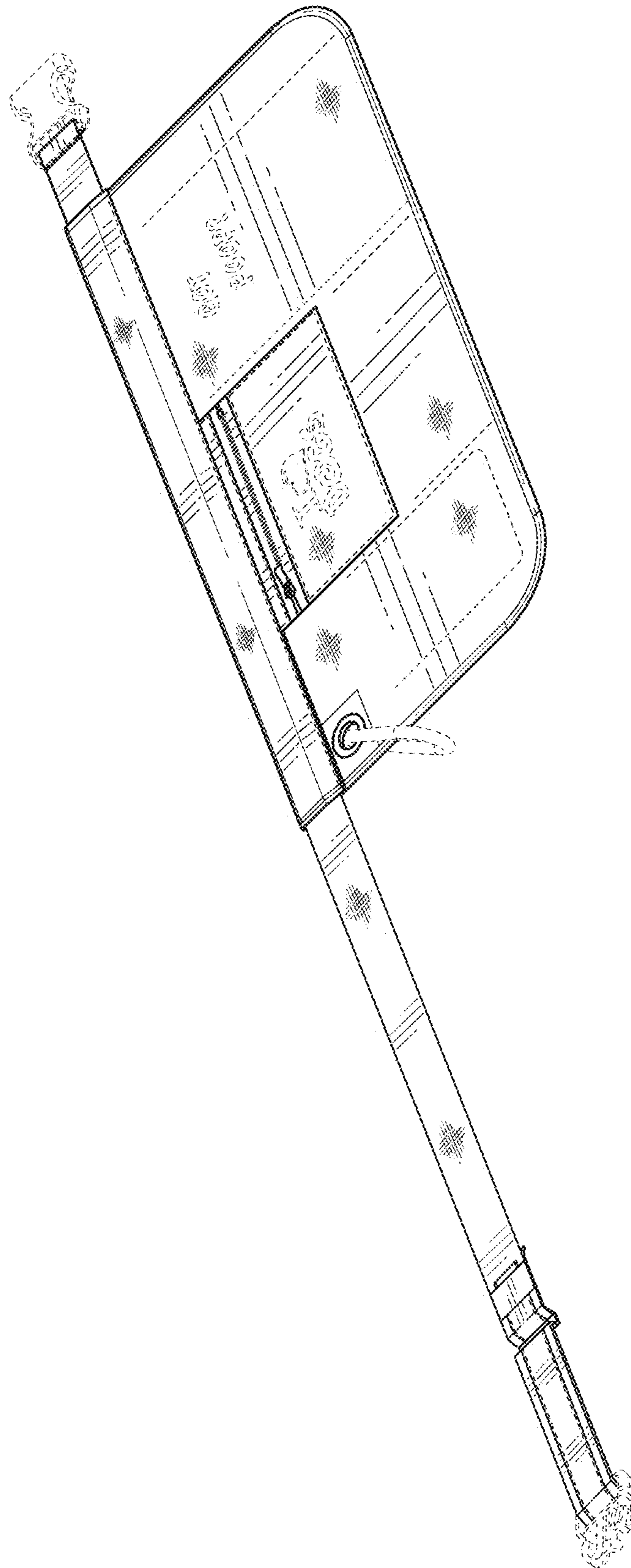


FIG. 2

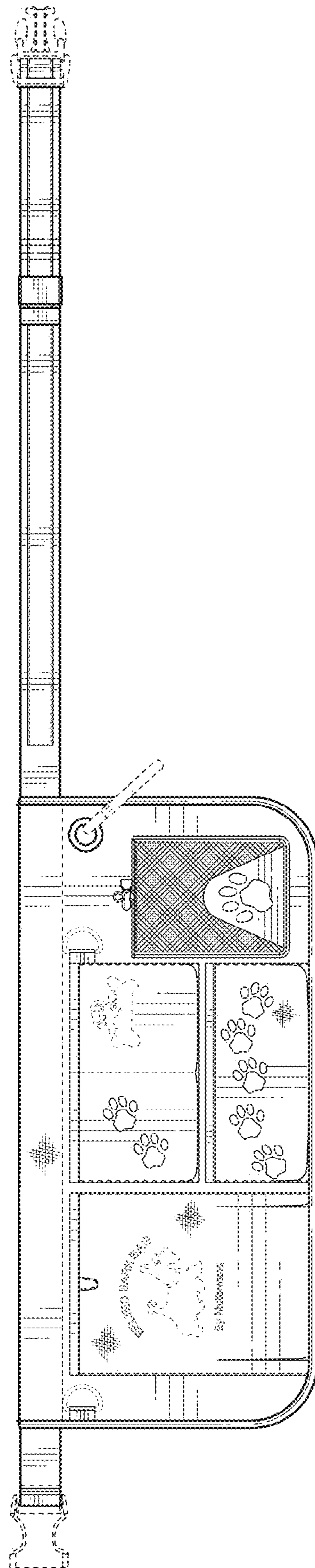


FIG. 3

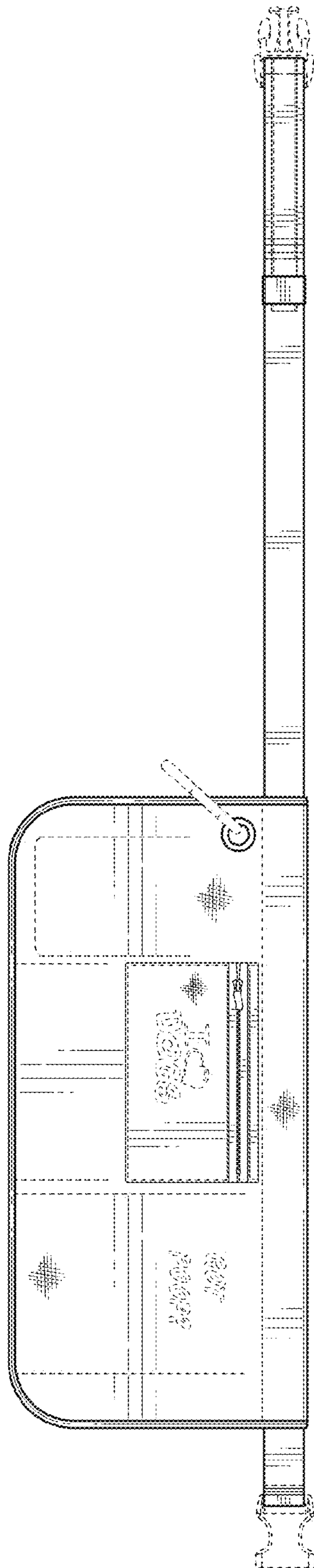


FIG. 4

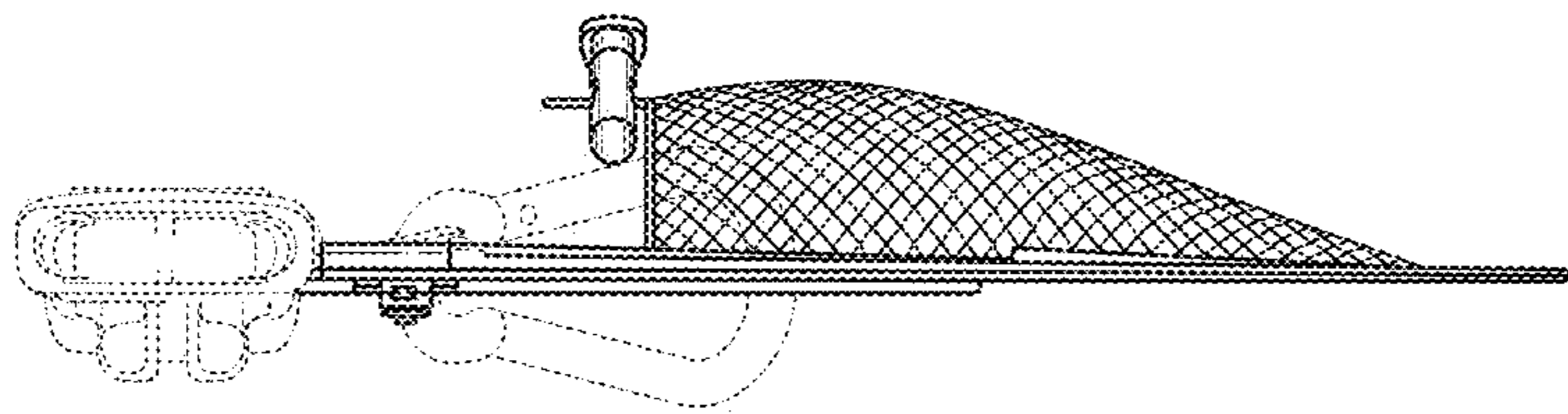


FIG. 5

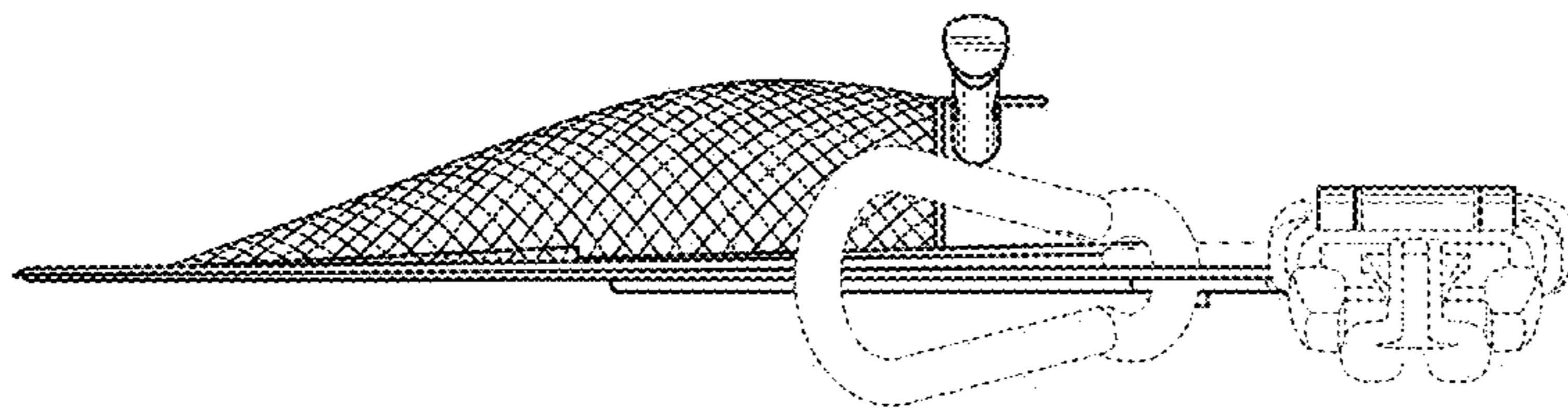


FIG. 6

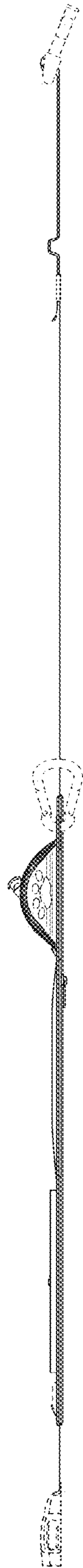


FIG. 7

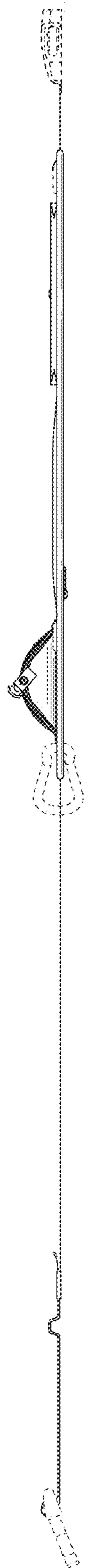


FIG. 8