



US00D938140S

(12) **United States Design Patent** (10) **Patent No.:** **US D938,140 S**  
**Alamdar** (45) **Date of Patent:** **\*\* Dec. 14, 2021**

(54) **MOTORCYCLE JACKET**  
(71) Applicant: **Husnain Alamdar**, Brea, CA (US)  
(72) Inventor: **Husnain Alamdar**, Brea, CA (US)  
(\*\*) Term: **15 Years**  
(21) Appl. No.: **29/714,869**  
(22) Filed: **Nov. 26, 2019**

**Related U.S. Application Data**

(63) Continuation-in-part of application No. 29/714,853, filed on Nov. 26, 2019.  
(51) **LOC (13) Cl.** ..... **02-02**  
(52) **U.S. Cl.**  
USPC ..... **D2/828**  
(58) **Field of Classification Search**  
USPC ..... D2/828-830, 833, 728, 750  
CPC ..... A41D 13/00; A41D 3/00; A41D 3/02  
See application file for complete search history.

(56) **References Cited**

**U.S. PATENT DOCUMENTS**

D498,037 S	11/2004	Bay	
D555,878 S	11/2007	Bay	
D618,440 S	6/2010	Parker	
D620,231 S	7/2010	Parker	
D622,937 S	9/2010	Bay	
7,966,668 B2	6/2011	Bay	
D641,137 S *	7/2011	Evans	D2/839
8,336,116 B2	12/2012	Seguin et al.	
D679,072 S *	4/2013	Abbevik	D2/828
D755,478 S *	5/2016	Grosbol	D2/828
D775,789 S *	1/2017	Damon	D2/828
D775,790 S *	1/2017	Damon	D2/828
D808,125 S *	1/2018	Crowe	D2/828
D808,127 S *	1/2018	Hedrick	D2/828
D843,688 S *	3/2019	Pfanner	D2/828

D862,043 S *	10/2019	Aizawa	D2/828
D927,134 S *	8/2021	Robinson	D2/828
2009/0144887 A1 *	6/2009	Orandi	A41D 1/002 2/455
2013/0283511 A1 *	10/2013	Diamond	A63B 71/12 2/455
2014/0196192 A1 *	7/2014	Koller	A41D 3/00 2/85
2017/0258157 A1 *	9/2017	Pfanner	A41D 27/201

**OTHER PUBLICATIONS**

Textile Motorcycle Jacket For Men , posted Jun. 1, 2017 [online], (retrieved Jun. 2, 2021). Retrieved from the internet, [https://www.amazon.com/dp/B075YTQ695/ref=sspa\\_dk\\_detail\\_0?pd\\_rd\\_i=B075YT8GB5&pd\\_rd\\_w=EROGs&pf\\_rd\\_p=5d846283-ed3e-4512-a744-a%E2%80%A6](https://www.amazon.com/dp/B075YTQ695/ref=sspa_dk_detail_0?pd_rd_i=B075YT8GB5&pd_rd_w=EROGs&pf_rd_p=5d846283-ed3e-4512-a744-a%E2%80%A6) (Year: 2017).\*

(Continued)

*Primary Examiner* — Kevin K Rudzinski

*Assistant Examiner* — J. Thorn, Sr.

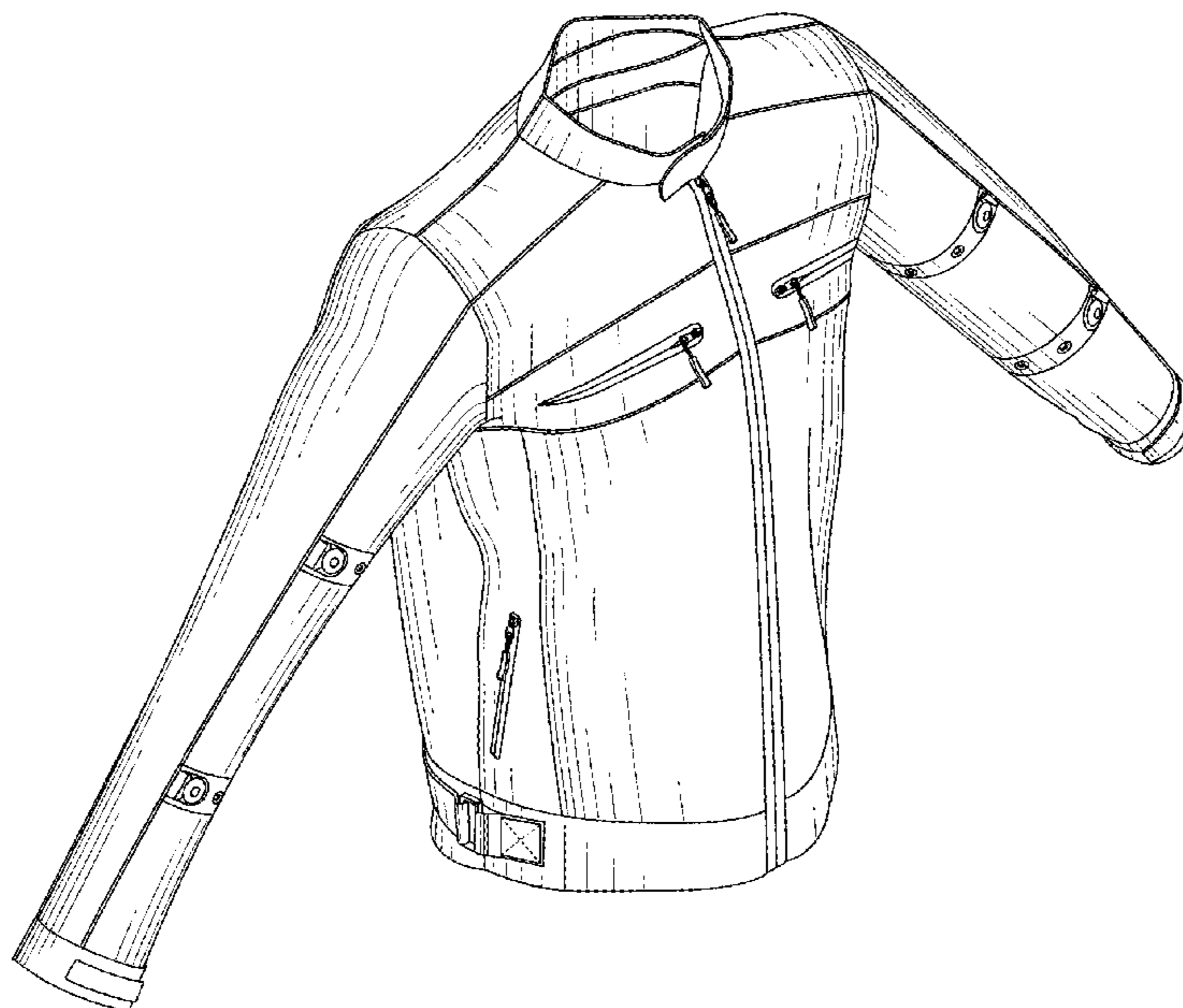
(57) **CLAIM**

The ornamental design for a motorcycle jacket, as shown and described.

**DESCRIPTION**

FIG. 1 is a top perspective view of a motorcycle jacket my design;  
FIG. 2 is a bottom perspective view thereof;  
FIG. 3 is a front side view thereof;  
FIG. 4 is a rear side view thereof;  
FIG. 5 is a left side view thereof;  
FIG. 6 is a right side view thereof;  
FIG. 7 is a top elevational view thereof; and,  
FIG. 8 is a bottom elevational view thereof.  
The broken lines in the drawings depict stitching and form part of the claimed design.

**1 Claim, 8 Drawing Sheets**



(56)

**References Cited**

OTHER PUBLICATIONS

Xelement CF462 Women's' Pinky' Black and Pink Tri-Tex Motorcycle Jacket with X-Armor, posted Apr. 17, 2018 [online], (retrieved Jun. 2, 2021). Retrieved from the internet, [https://www.amazon.com/dp/B001BTNKBK/ref=sspa\\_dk\\_detail\\_4?pd\\_rd\\_i=B001BTNKBKp13NParams](https://www.amazon.com/dp/B001BTNKBK/ref=sspa_dk_detail_4?pd_rd_i=B001BTNKBKp13NParams) (Year: 2018).\*

White Genuine Lambskin Leather Jacket Men, posted Sep. 11, 2018 [online], (retrieved Jun. 2, 2021). Retrieved from the internet, <https://www.amazon.com/Bombay-Leather-Co-Lambskin-Motorcycle/dp/B07HHK98XC?th=1> (Year: 2018).\*

"Iking Cycle", <https://www.vikingcycle.com/>.

\* cited by examiner

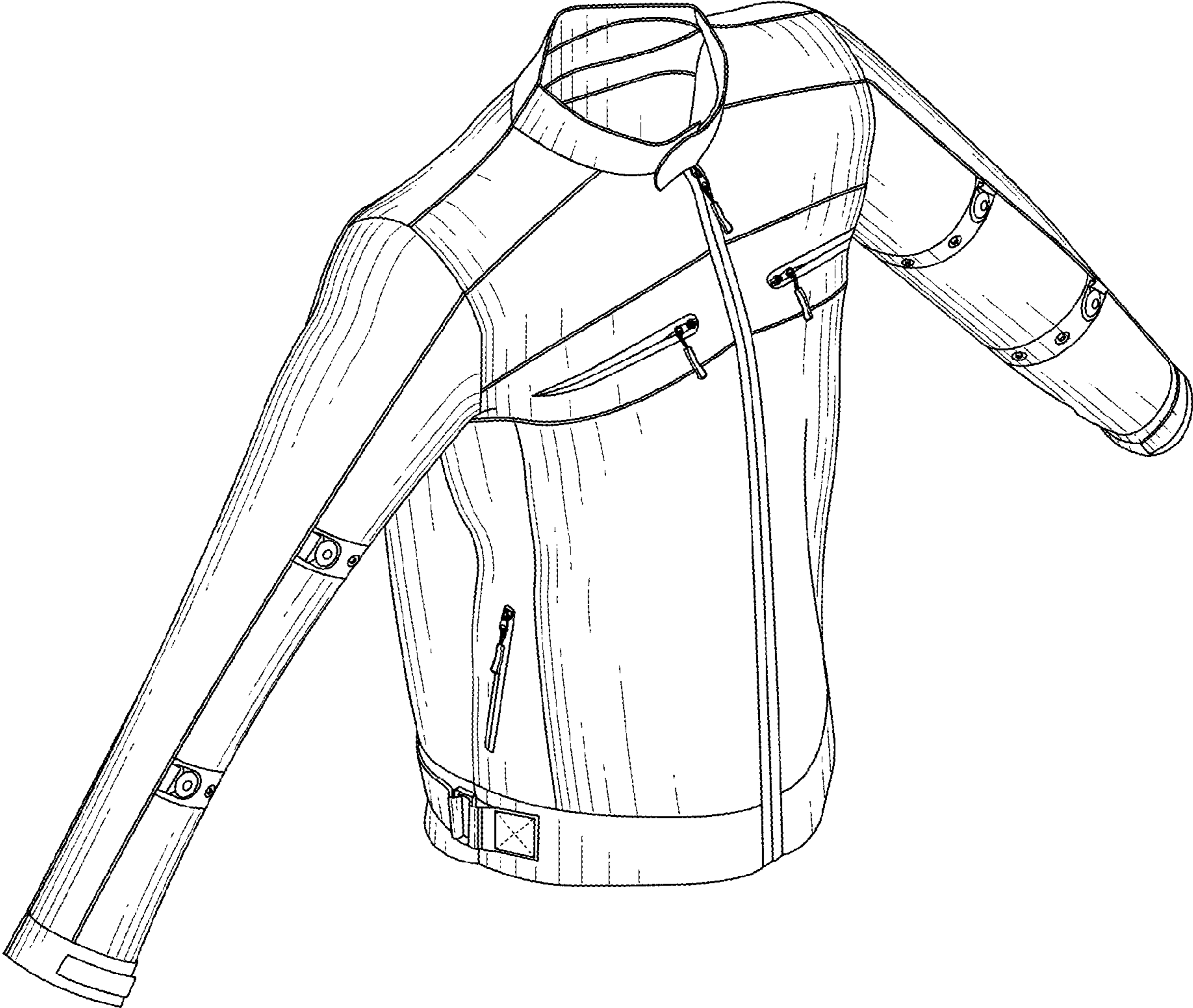


FIG. 1

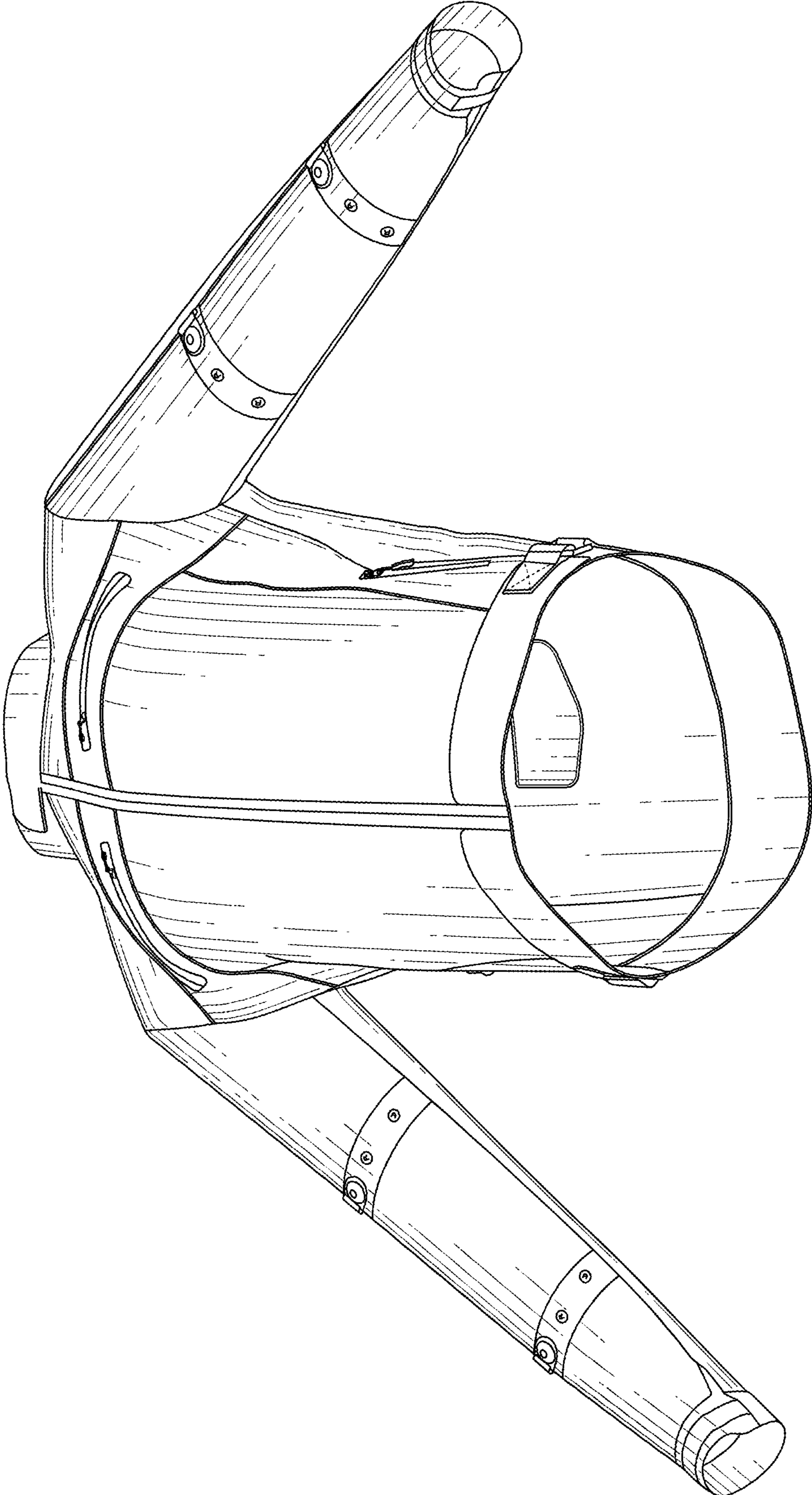


FIG. 2

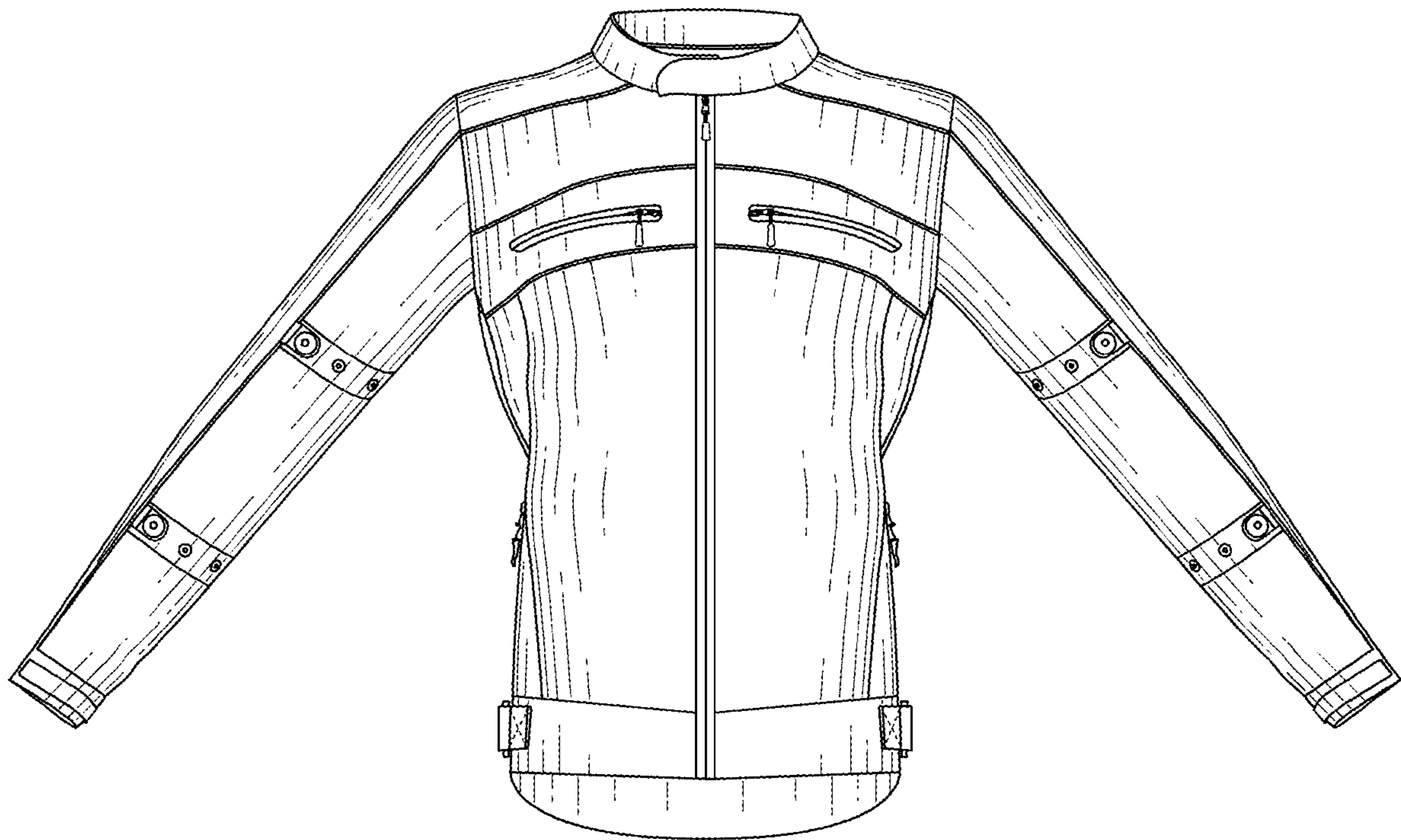


FIG. 3

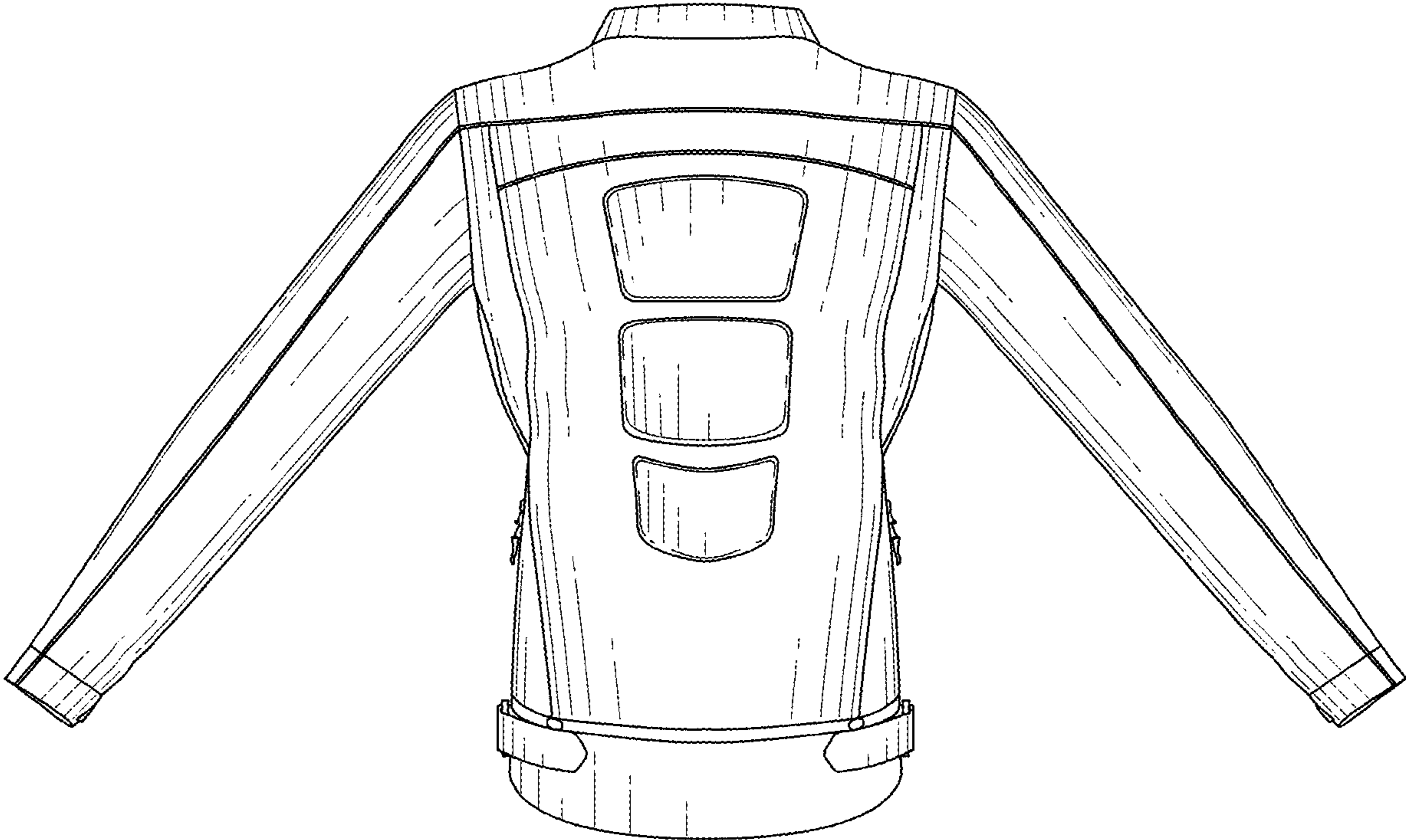


FIG. 4

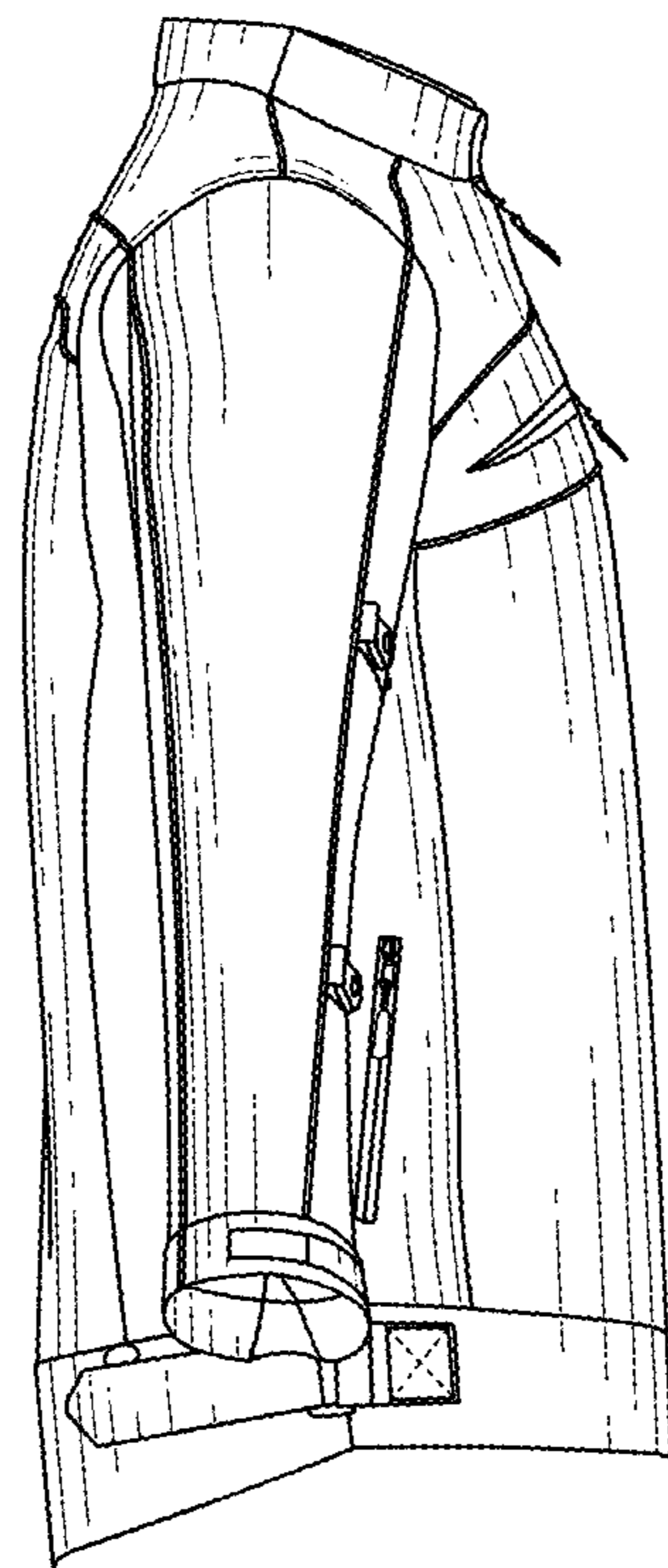


FIG. 5

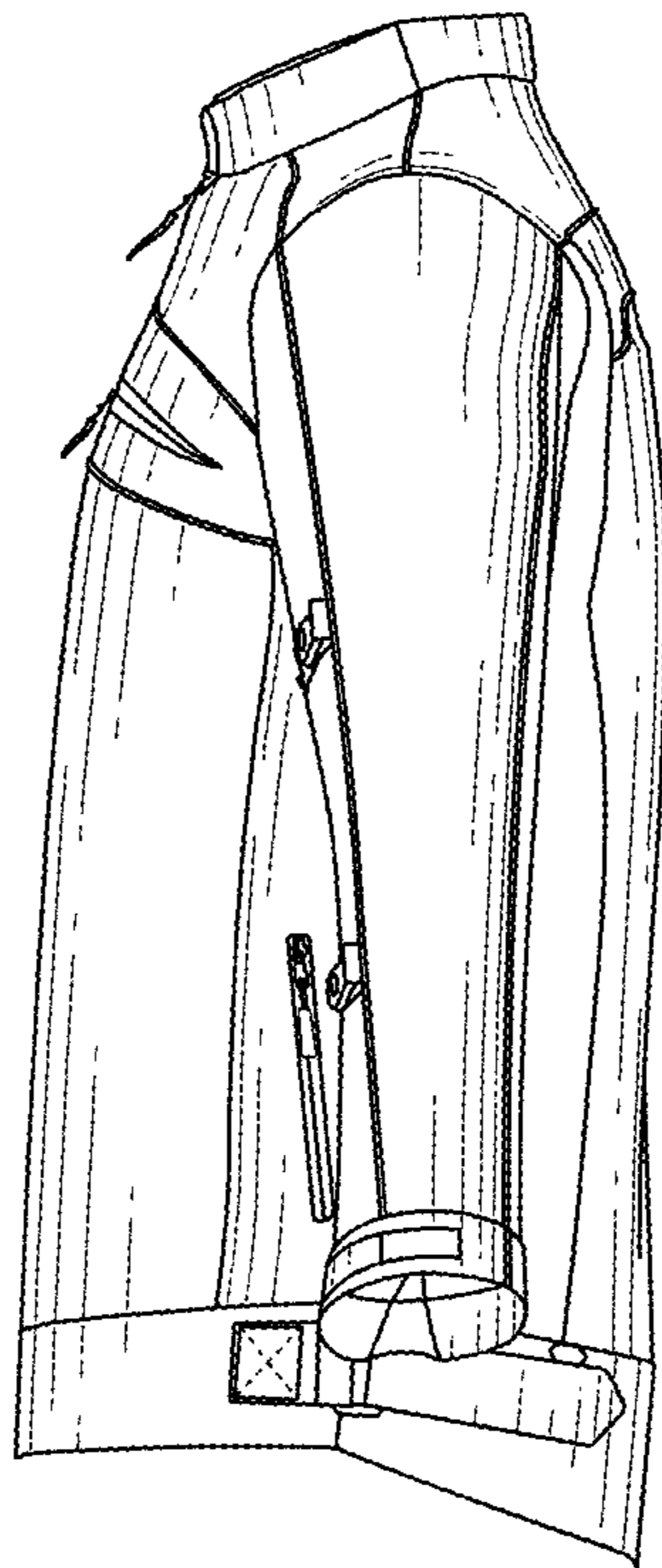


FIG. 6



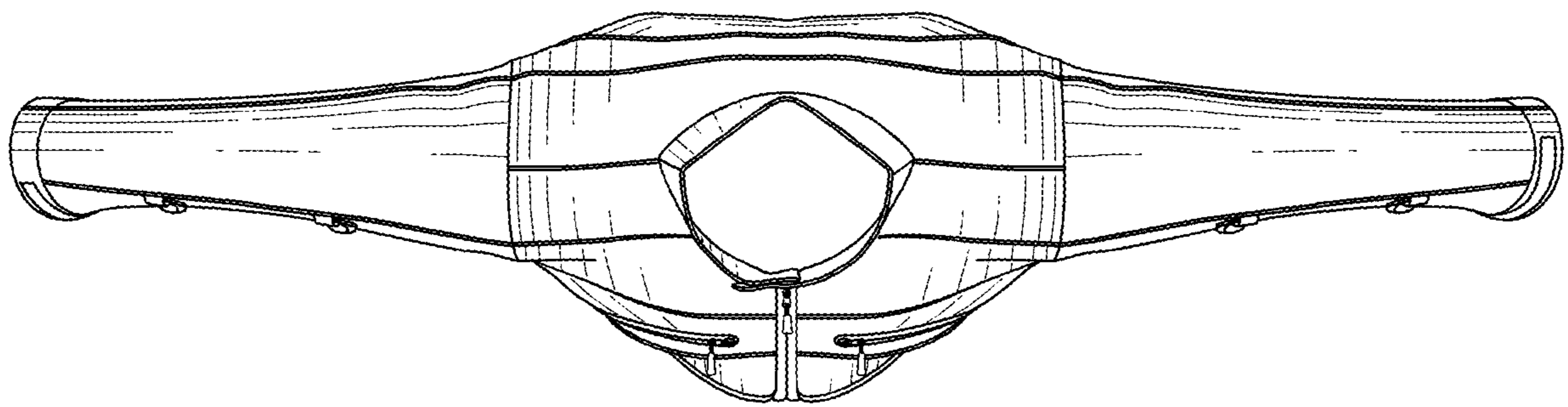


FIG. 7

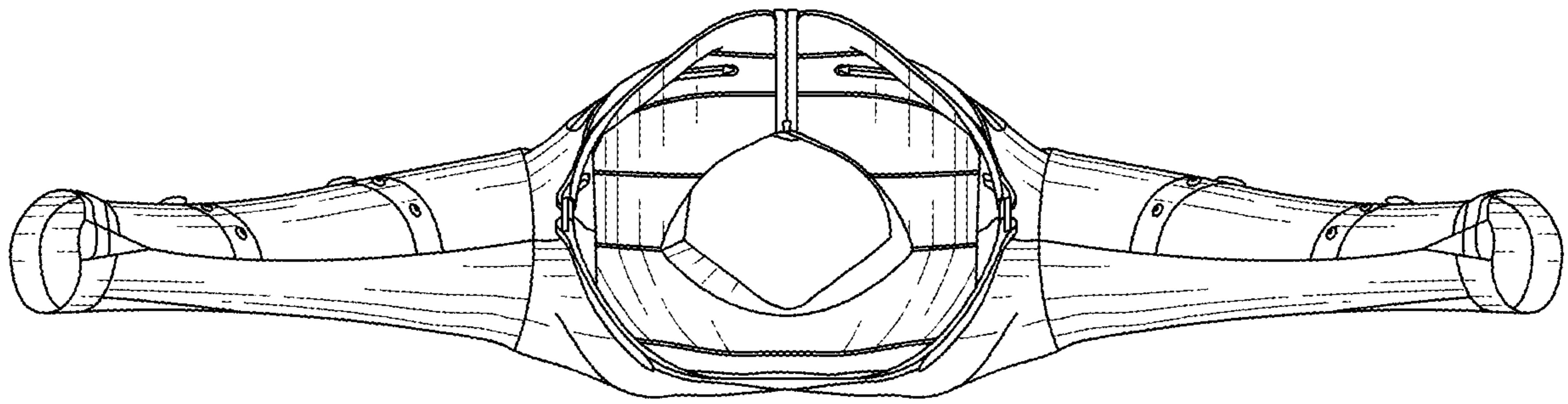


FIG. 8