



US00D938131S

(12) **United States Design Patent** (10) **Patent No.:** **US D938,131 S**
Mark (45) **Date of Patent:** **** Dec. 14, 2021**

- (54) **FOOD PRODUCT**
- (71) Applicant: **Justin A. Mark**, O'Fallon, MO (US)
- (72) Inventor: **Justin A. Mark**, O'Fallon, MO (US)
- (**) Term: **15 Years**
- (21) Appl. No.: **29/651,645**
- (22) Filed: **Nov. 19, 2018**

D487,951 S	4/2004	Barry	
D543,758 S	6/2007	Olivera	
D607,321 S	1/2010	Mark	
D675,820 S	2/2013	Campanella	
D678,656 S	3/2013	Gottardi et al.	
D678,728 S	3/2013	Stevens	
D719,716 S	12/2014	Conway et al.	
D720,559 S *	1/2015	Pitti	D6/661
D755,573 S	5/2016	Consolatore	
D807,678 S *	1/2018	Mark	D7/354
D816,164 S *	4/2018	Riccobono	D19/113
D833,059 S *	11/2018	Smith	D26/94
2011/0281671 A1 *	11/2011	Chen	A63B 69/0053 473/417
2012/0065003 A1 *	3/2012	Trout	A63B 69/0002 473/454

Related U.S. Application Data

- (63) Continuation-in-part of application No. 29/538,840, filed on Sep. 8, 2015, now abandoned.
- (51) **LOC (13) Cl.** **01-01**
- (52) **U.S. Cl.**
USPC **D1/106; D1/128**
- (58) **Field of Classification Search**
USPC D1/100-130, 199; 426/104, 108, 138, 426/391, 549, 808, 94, 143, 559, 560; D6/597, 601; D7/359; D21/623, 803, D21/386; 28/4; 119/710; D25/138
CPC A23L 1/1645; A23L 1/164; A23L 1/217
See application file for complete search history.

(Continued)

OTHER PUBLICATIONS

Fae, Ellaine. "Softball Cake." Snack'n Cake. Jan. 16, 2012. Web. Sep. 30, 2020. <https://www.snackncake.com/post_softball-cakes-cute_489830/>.*

Primary Examiner — Katie Jane Stofko

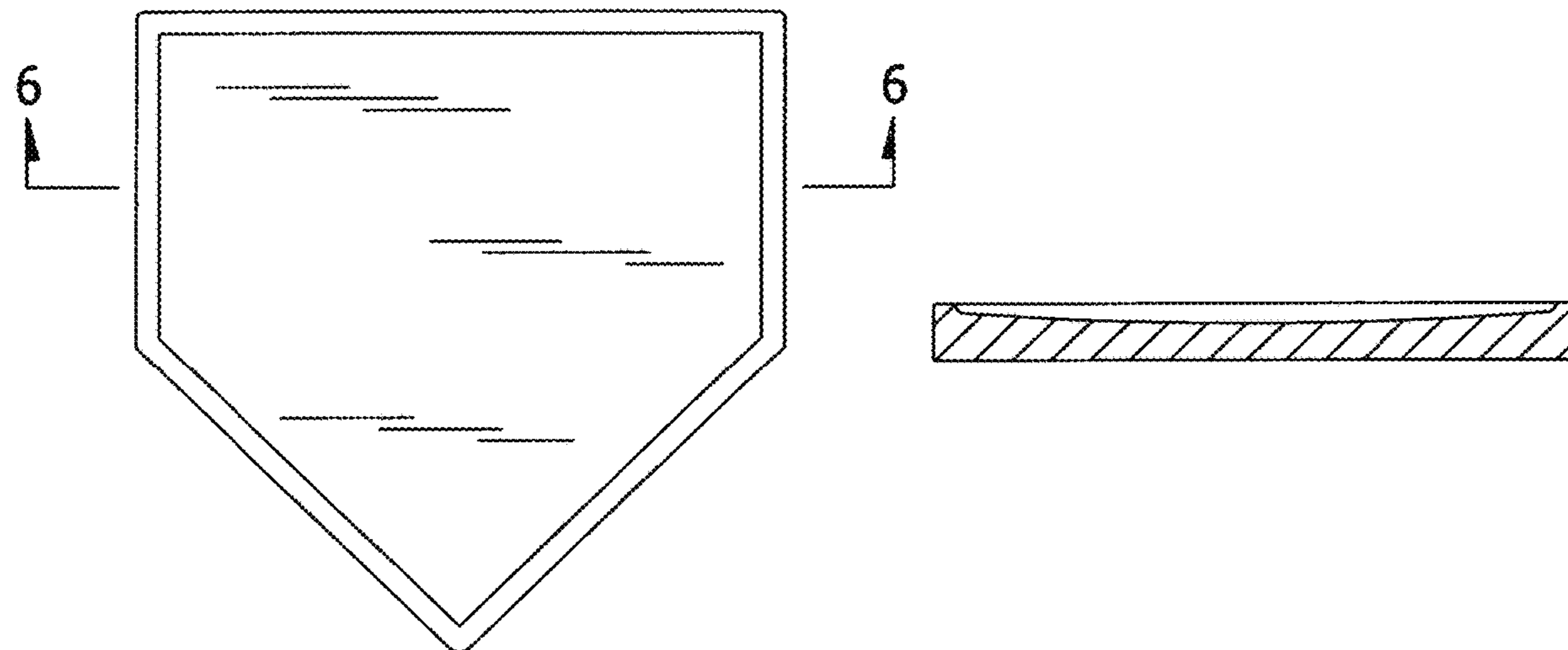
(57) **CLAIM**

The ornamental design for a food product, as shown and described.

DESCRIPTION

FIG. 1 is a perspective view of a food product showing my new design;
FIG. 2 is a top plan view thereof, the bottom plan view being a mirrored image thereof;
FIG. 3 is front elevation view thereof;
FIG. 4 is a rear elevation view thereof;
FIG. 5 is a left side elevation view thereof, the right side elevation view the being a mirror image thereof; and,
FIG. 6 is a cross-sectional view thereof, taken along line 6-6 in FIG. 2.

1 Claim, 3 Drawing Sheets



(56)

References Cited

U.S. PATENT DOCUMENTS

2014/0194229 A1* 7/2014 Kropff A63B 69/0013
473/499
2015/0314180 A1* 11/2015 Ivey A47G 33/00
473/499
2016/0107059 A1* 4/2016 Brossman A63B 69/0075
473/417
2016/0332055 A1* 11/2016 Su A63B 69/0075
2017/0044662 A1* 2/2017 Yamashita C23C 14/562

* cited by examiner

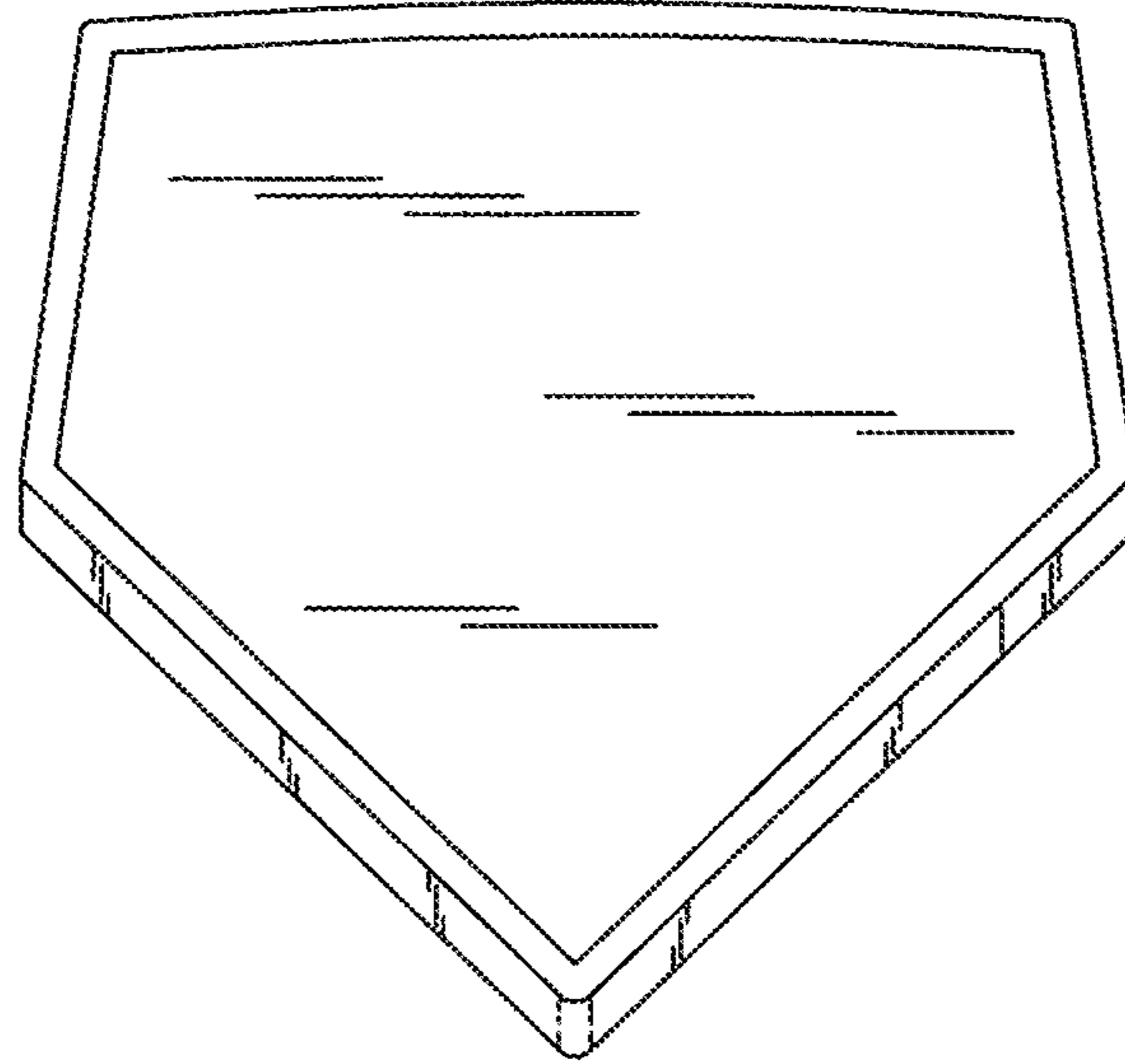


FIG. 1

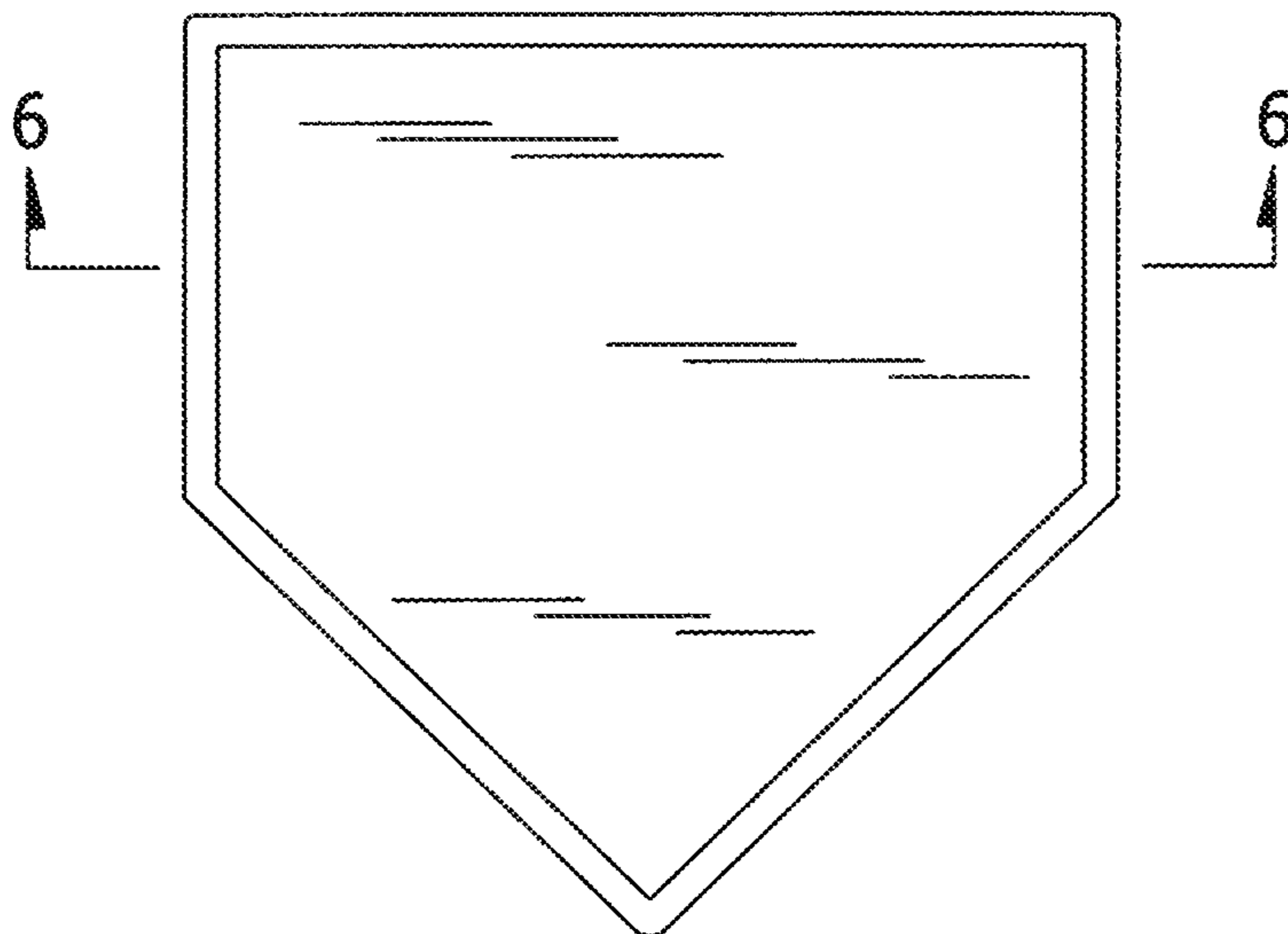


FIG. 2



FIG. 3



FIG. 4



FIG. 5

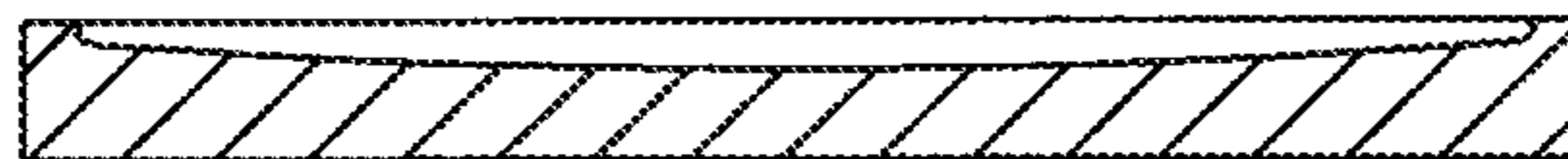


FIG. 6