



US00D938129S

(12) **United States Design Patent**  
**Sengupta**

(10) **Patent No.:** **US D938,129 S**

(45) **Date of Patent:** **\*\* Dec. 7, 2021**

- (54) **CREMATION URN**
- (71) Applicant: **Infinityurns, LLC**, North Liberty, IA (US)
- (72) Inventor: **Sushant Sengupta**, North Liberty, IA (US)
- (73) Assignee: **INFINITYURNS, LLC**, North Liberty, IA (US)
- (\*\*) Term: **15 Years**
- (21) Appl. No.: **29/716,075**
- (22) Filed: **Dec. 6, 2019**
- (51) **LOC (13) Cl.** ..... **99-00**
- (52) **U.S. Cl.**  
USPC ..... **D99/5**
- (58) **Field of Classification Search**  
USPC ..... D99/5, 17, 25, 27, 28, 21, 3, 9;  
D11/131, 157, 102; D21/311, 398;  
D19/97, 85, 96; 273/138.2, 161; 65/66;  
446/267, 166, 130; 40/409, 410, 406,  
40/407, 432, 472, 408, 431, 124, 442,  
40/219; D30/101; D26/68, 104; 211/33;  
248/158, 831, 523; 52/845, 297, 40;  
27/1; 428/542.2, 13; 362/84; 24/463;  
137/592  
CPC ..... A61G 17/08; A61G 17/00; G09F 19/00;  
G09F 19/02; F21V 31/00; F21V 7/04;  
A63H 23/08; A47F 3/10; A63F 9/18  
See application file for complete search history.

- 2,361,425 A \* 10/1944 Snyder ..... B43M 9/00  
428/13
- D167,343 S \* 7/1952 Fosler et al. .... D11/164
- 2,608,779 A \* 9/1952 Joy ..... F21S 10/06  
40/431
- 2,686,642 A \* 8/1954 Dobarganes ..... A47G 7/006  
248/523
- 2,709,217 A \* 5/1955 McClusky ..... F21V 31/00  
362/101
- 2,770,073 A \* 11/1956 Sullivan ..... G09F 11/34  
40/426
- 3,168,315 A \* 2/1965 Bookman ..... A63H 33/00  
273/145 C

(Continued)

*Primary Examiner* — Paula Allen Greene  
(74) *Attorney, Agent, or Firm* — Shuttleworth & Ingersoll, PLC; Jason R. Sytsma

(57) **CLAIM**

The ornamental design for a cremation urn, as shown and described.

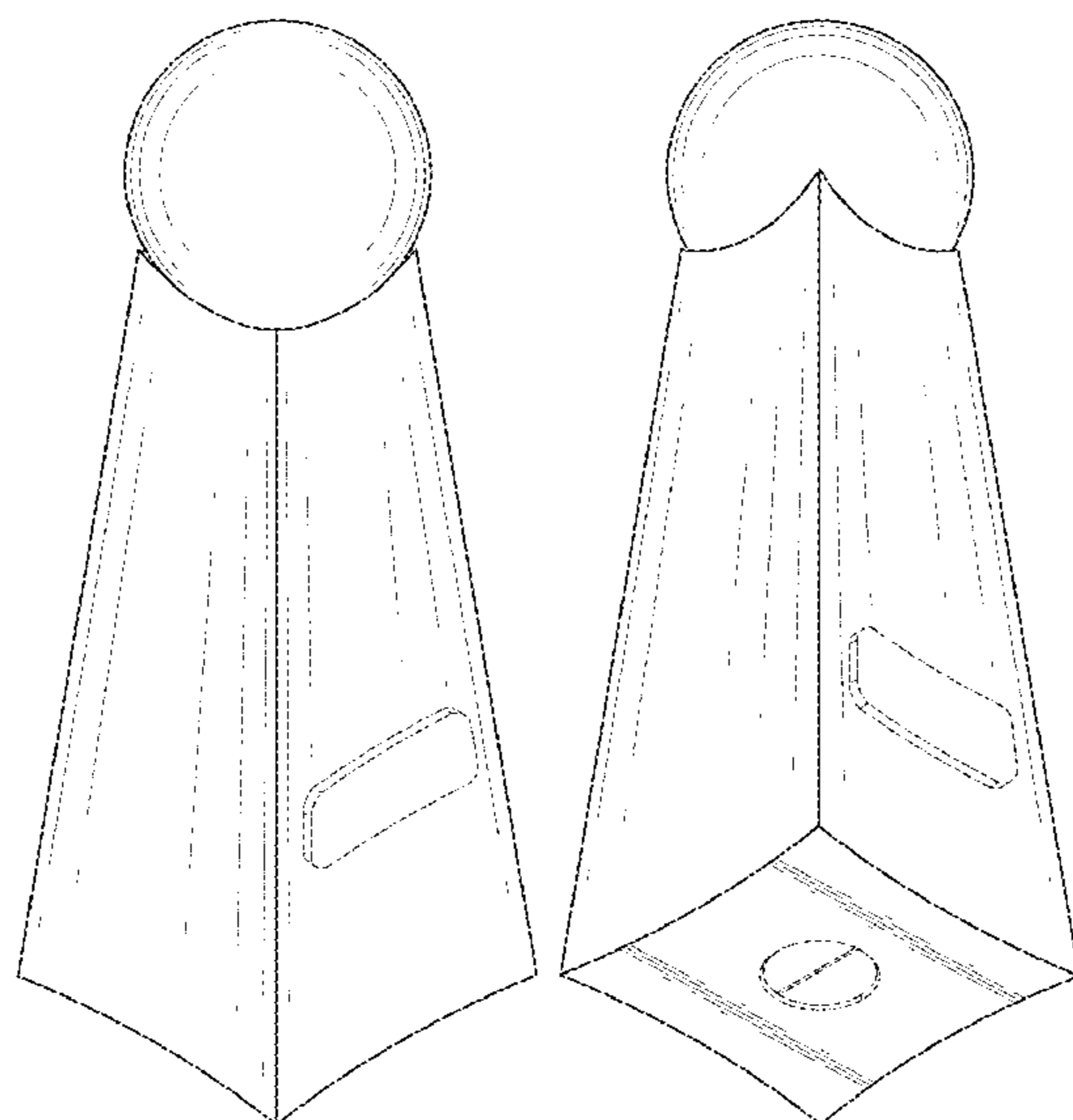
**DESCRIPTION**

FIG. 1 is a top perspective view of a cremation urn showing my new design;  
 FIG. 2 is a bottom perspective view of the cremation urn of FIG. 1;  
 FIG. 3 is a front view of the cremation urn of FIG. 1;  
 FIG. 4 is a top left perspective view of the cremation urn of FIG. 1;  
 FIG. 5 is a bottom left perspective view of the cremation urn of FIG. 1; and,  
 FIG. 6 is a top left perspective view of the base of the cremation urn thereof, shown separately for ease of illustration.

The broken lines on the cremation urn base and the broken line showing of the removable cover at the base of the cremation urn are for the purposes of illustrating environmental structure and form no part of the claimed design.

**1 Claim, 6 Drawing Sheets**

- (56) **References Cited**  
U.S. PATENT DOCUMENTS  
1,741,692 A \* 12/1929 Garaja ..... B43M 9/00  
428/13  
1,782,944 A \* 11/1930 Stanford ..... G09F 13/24  
40/407  
D133,707 S \* 9/1942 Ballard ..... D14/189



(56)

References Cited

U.S. PATENT DOCUMENTS

3,282,001 A \* 11/1966 Bigalow ..... E04H 12/2269  
52/292  
D213,150 S \* 1/1969 McBain ..... D6/661.3  
3,535,805 A \* 10/1970 Peiperl ..... G09F 13/24  
40/406  
3,634,679 A \* 1/1972 Krzyston ..... F21S 10/06  
40/431  
3,650,384 A \* 3/1972 Pegg ..... A47F 5/0025  
211/1  
D223,505 S \* 4/1972 Ott ..... D26/104  
3,798,833 A \* 3/1974 Campbell ..... A63H 5/00  
446/130  
3,990,166 A \* 11/1976 Nagelkirk ..... G09F 11/10  
40/442  
D256,174 S \* 7/1980 Buttura, Sr. .... D99/17  
D260,623 S \* 9/1981 Gorski ..... D11/157  
D269,359 S \* 6/1983 Itakura ..... D21/311  
D275,468 S \* 9/1984 Grant ..... D11/157  
D284,842 S \* 7/1986 McEvoy ..... D11/102  
D289,355 S \* 4/1987 Paulides ..... D11/145  
D297,824 S \* 9/1988 Schiraldi ..... D11/157  
4,961,276 A \* 10/1990 Lin ..... A63H 13/00  
40/410  
D318,252 S \* 7/1991 Bakter ..... D11/157  
5,105,343 A \* 4/1992 Wakimoto ..... F21S 10/002  
362/101  
D354,908 S \* 1/1995 Barre ..... D9/548  
5,456,031 A \* 10/1995 Hou ..... G09F 19/02  
40/410  
5,481,846 A \* 1/1996 Macchietto ..... E04C 3/32  
248/158  
D375,411 S \* 11/1996 Hawkins ..... D20/10  
D393,016 S \* 3/1998 Young ..... D21/398

D404,912 S \* 2/1999 Addi ..... D3/238  
D407,854 S \* 4/1999 DeGaetano ..... D28/80  
D408,850 S \* 4/1999 Close ..... D19/6  
5,989,655 A \* 11/1999 Meng ..... F21S 10/002  
362/806  
D437,670 S \* 2/2001 Rivera ..... D99/5  
D457,096 S \* 5/2002 Rosner ..... D11/125  
D470,991 S \* 2/2003 Goldstein ..... D99/5  
D523,757 S \* 6/2006 Garcia ..... D9/418  
7,065,908 B1 \* 6/2006 Pineda-Sanchez ..... G09F 19/02  
40/406  
7,617,624 B1 \* 11/2009 Chen ..... G09F 19/02  
40/406  
D622,024 S \* 8/2010 School ..... D99/5  
8,018,395 B2 \* 9/2011 Hager ..... E04H 12/12  
343/890  
D671,295 S \* 11/2012 Anthony ..... D99/5  
D696,832 S \* 12/2013 Khan ..... D99/5  
D703,915 S \* 4/2014 Irvine ..... A61G 17/08  
D99/5  
D715,684 S \* 10/2014 Letney ..... D11/157  
8,960,937 B2 \* 2/2015 Yang ..... F21V 21/00  
362/101  
D734,201 S \* 7/2015 Eickhof ..... D11/131  
D781,524 S \* 3/2017 Bhandula ..... D99/5  
D836,879 S \* 12/2018 Singh ..... D99/17  
D915,023 S \* 3/2021 Sengupta ..... D99/5  
2003/0067764 A1 \* 4/2003 Lau Ting Yup ..... G09F 13/24  
362/84  
2004/0055190 A1 \* 3/2004 Liu ..... G09F 19/02  
40/406  
2010/0199476 A1 \* 8/2010 Cummings ..... A61G 17/08  
27/1  
2015/0197393 A1 \* 7/2015 Braun ..... B65D 25/10  
206/497

\* cited by examiner

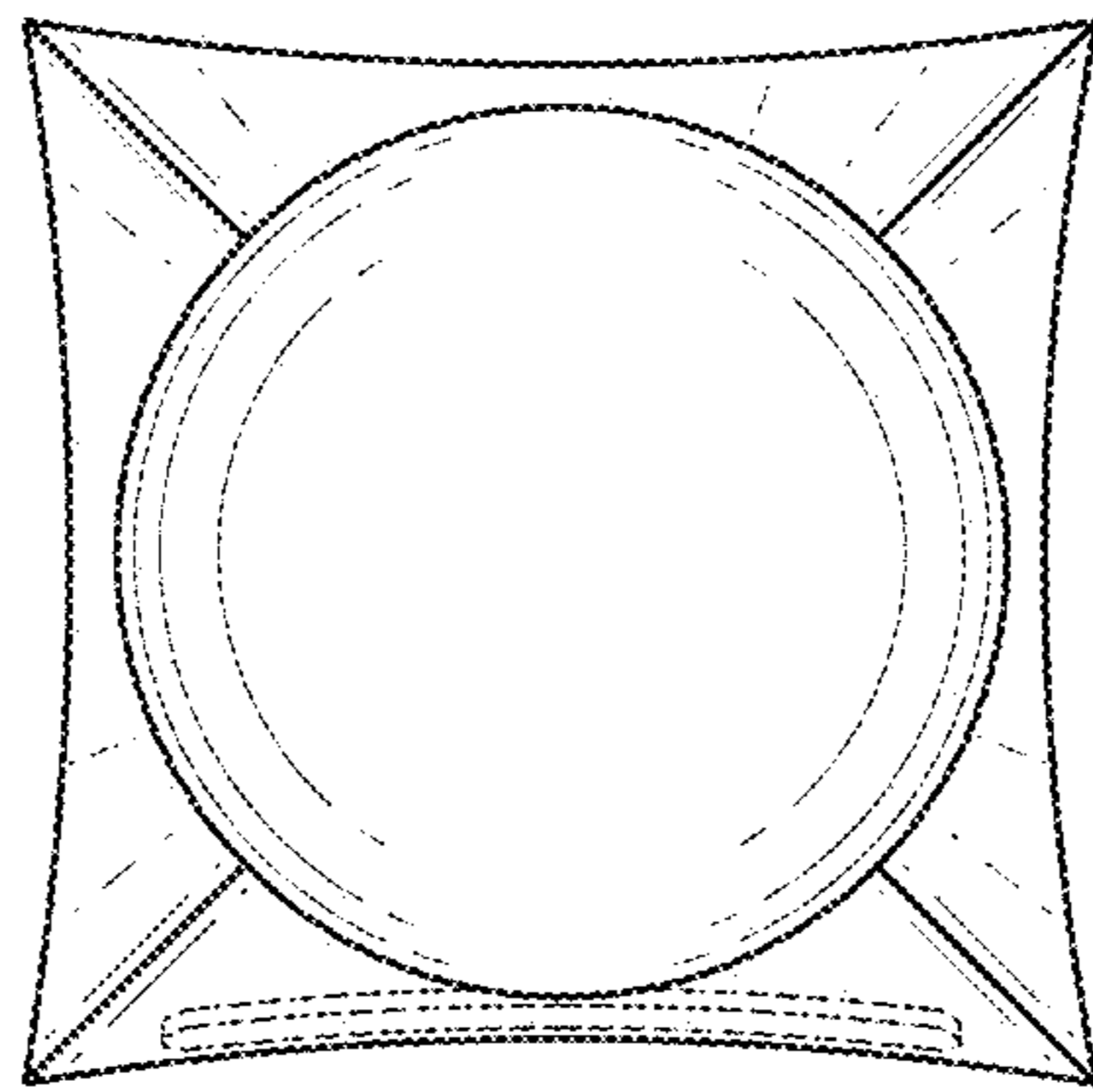


FIG. 1

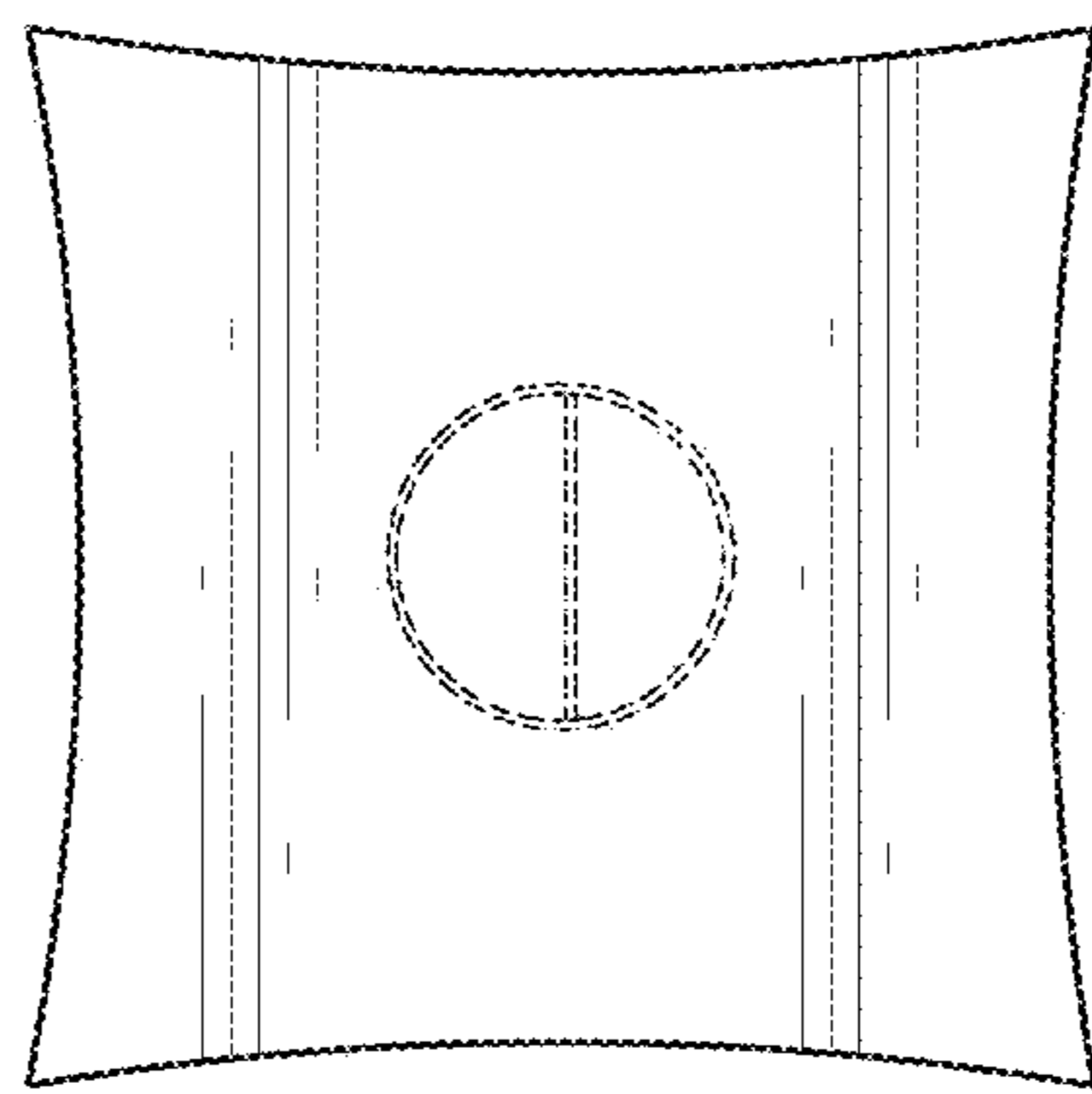


FIG. 2

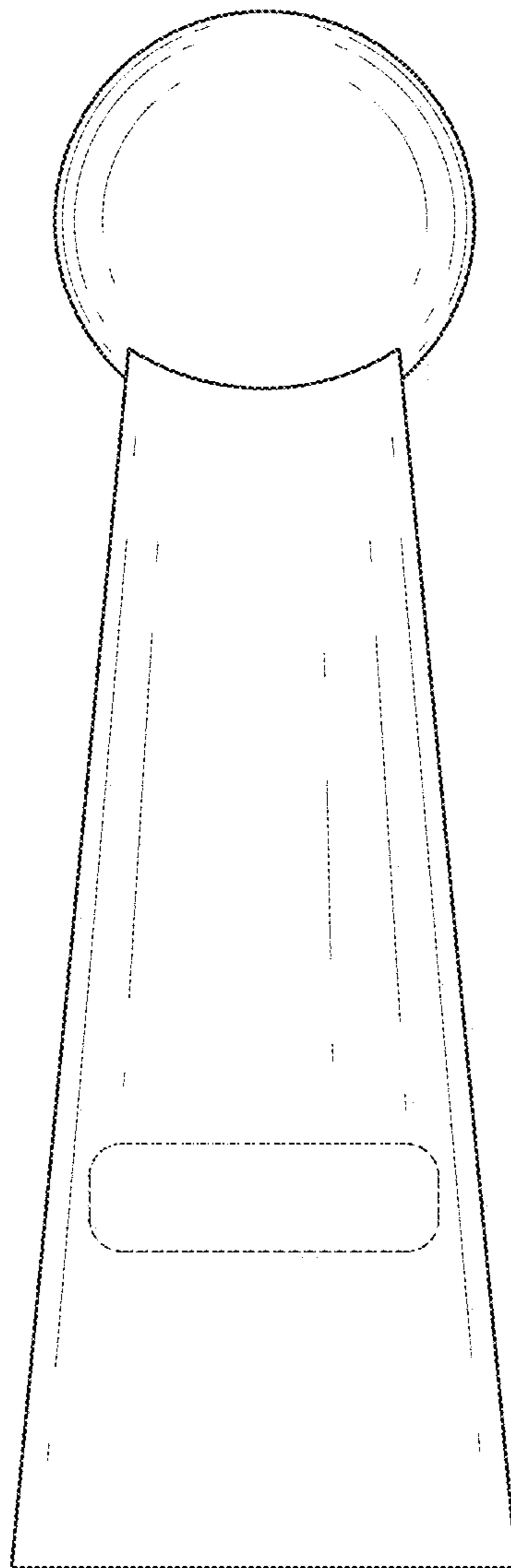


FIG. 3

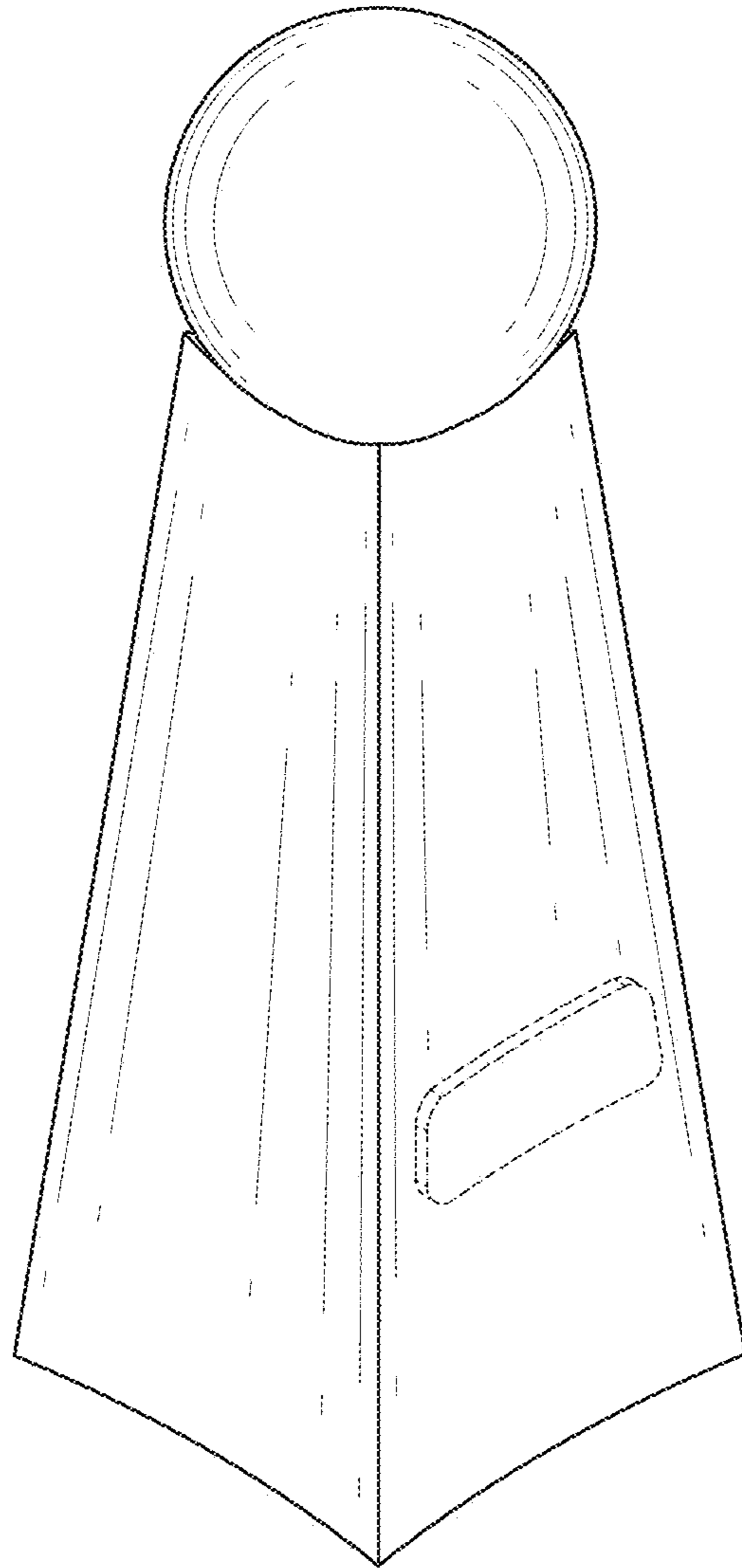


FIG. 4

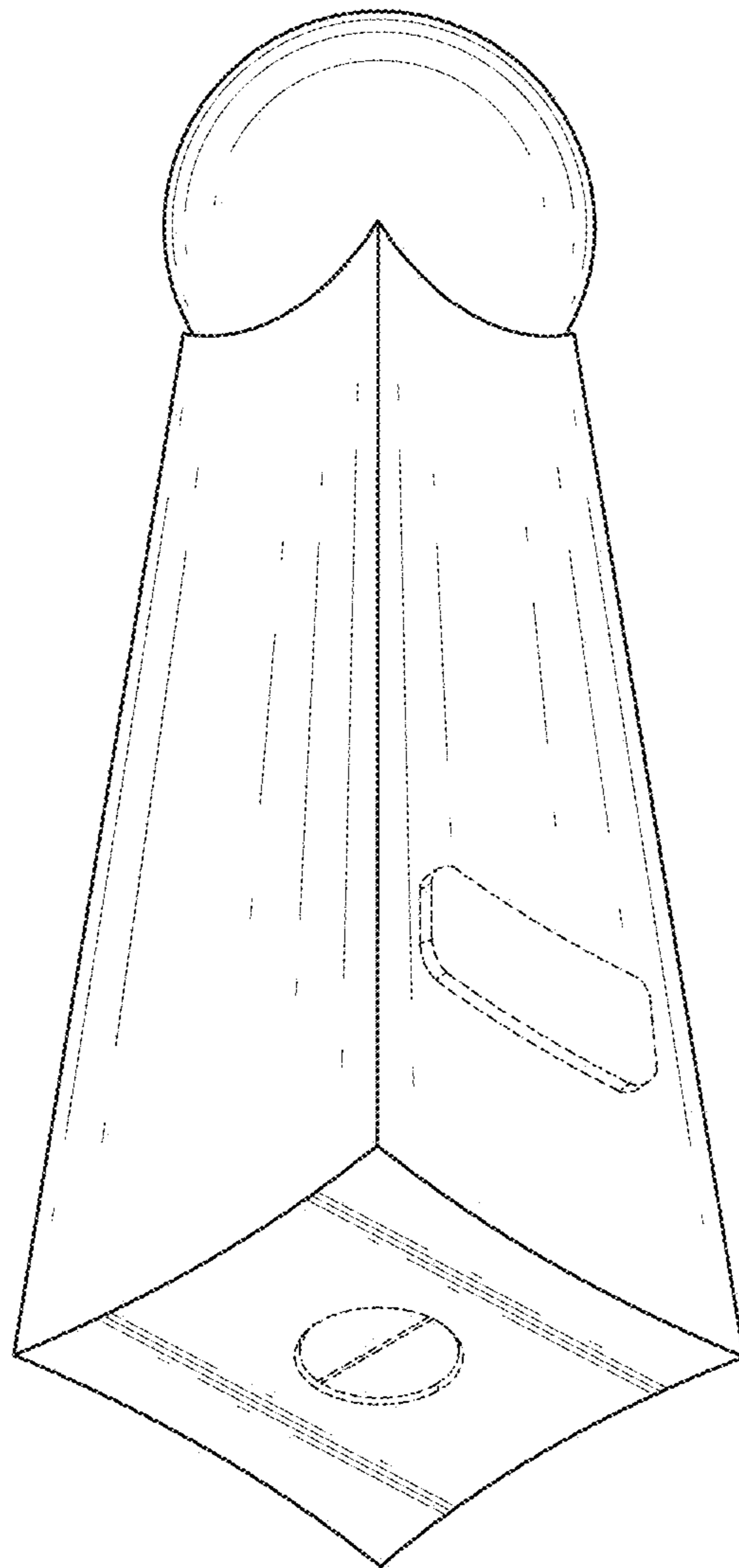


FIG. 5

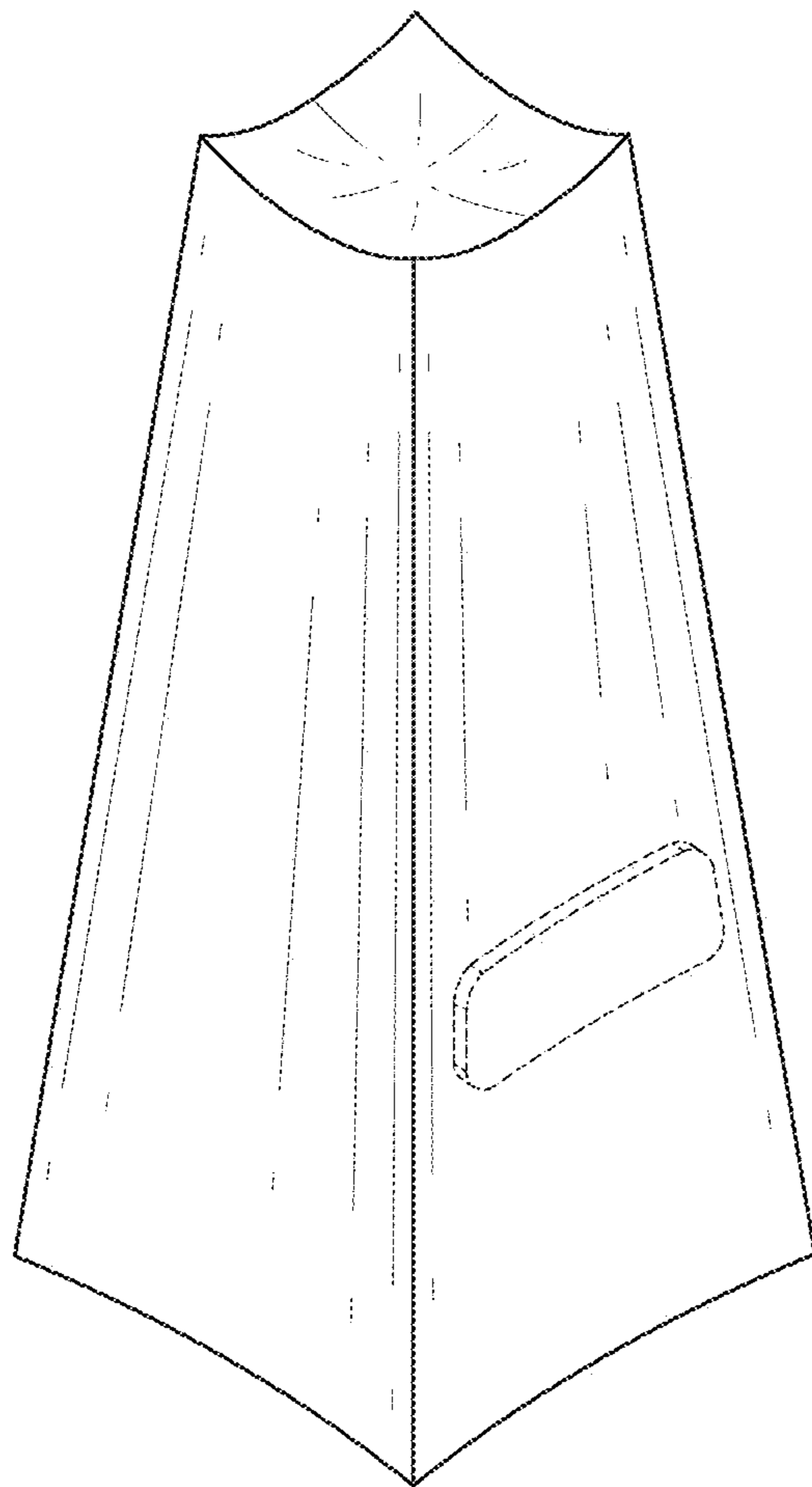


FIG. 6