



US00D938127S

(12) **United States Design Patent**
He et al.

(10) **Patent No.:** **US D938,127 S**

(45) **Date of Patent:** **** Dec. 7, 2021**

(54) **STACKER**

(71) Applicant: **Hangzhou Yutong Industrial Co. Ltd.**,
Hangzhou (CN)

(72) Inventors: **Ze He**, Hangzhou (CN); **Changyong Zuo**, Hangzhou (CN); **Xuelong Zhong**, Hangzhou (CN); **Nan Yan**, Hangzhou (CN)

(73) Assignee: **Hangzhou Yutong Industrial Co. Ltd.**,
Hangzhou (CN)

(**) Term: **15 Years**

(21) Appl. No.: **29/696,651**

(22) Filed: **Jun. 28, 2019**

(30) **Foreign Application Priority Data**

Mar. 1, 2019 (CN) 201930083828.1

(51) **LOC (13) Cl.** **12-05**

(52) **U.S. Cl.**
USPC **D34/34**

(58) **Field of Classification Search**
USPC D34/34
CPC ... B62B 3/0612; B62B 3/0618; B62B 5/0069;
B62B 5/0438; B62B 2203/20; B66F 9/22;
B66F 9/085; B66F 9/184
See application file for complete search history.

(56) **References Cited**

U.S. PATENT DOCUMENTS

D139,179 S * 10/1944 Johnson D34/34
D176,503 S * 1/1956 Brown D34/34

D192,522 S * 4/1962 Butorac D34/31
D874,083 S * 1/2020 Chao D34/34
D891,022 S * 7/2020 Liping D34/34
D899,724 S * 10/2020 Bentley D34/35
2007/0137904 A1 * 6/2007 Rose B66F 9/20
180/19.1
2009/0078483 A1 * 3/2009 Grothkopp B66F 9/07531
180/68.5
2010/0295261 A1 * 11/2010 Ellington B62B 3/0618
280/43.12
2012/0239259 A1 * 9/2012 McCabe B62B 5/0069
701/50
2018/0354761 A1 * 12/2018 Addicott B66F 9/148

* cited by examiner

Primary Examiner — Cynthia Ramirez

(74) *Attorney, Agent, or Firm* — Osha Bergman Watanabe & Burton LLP

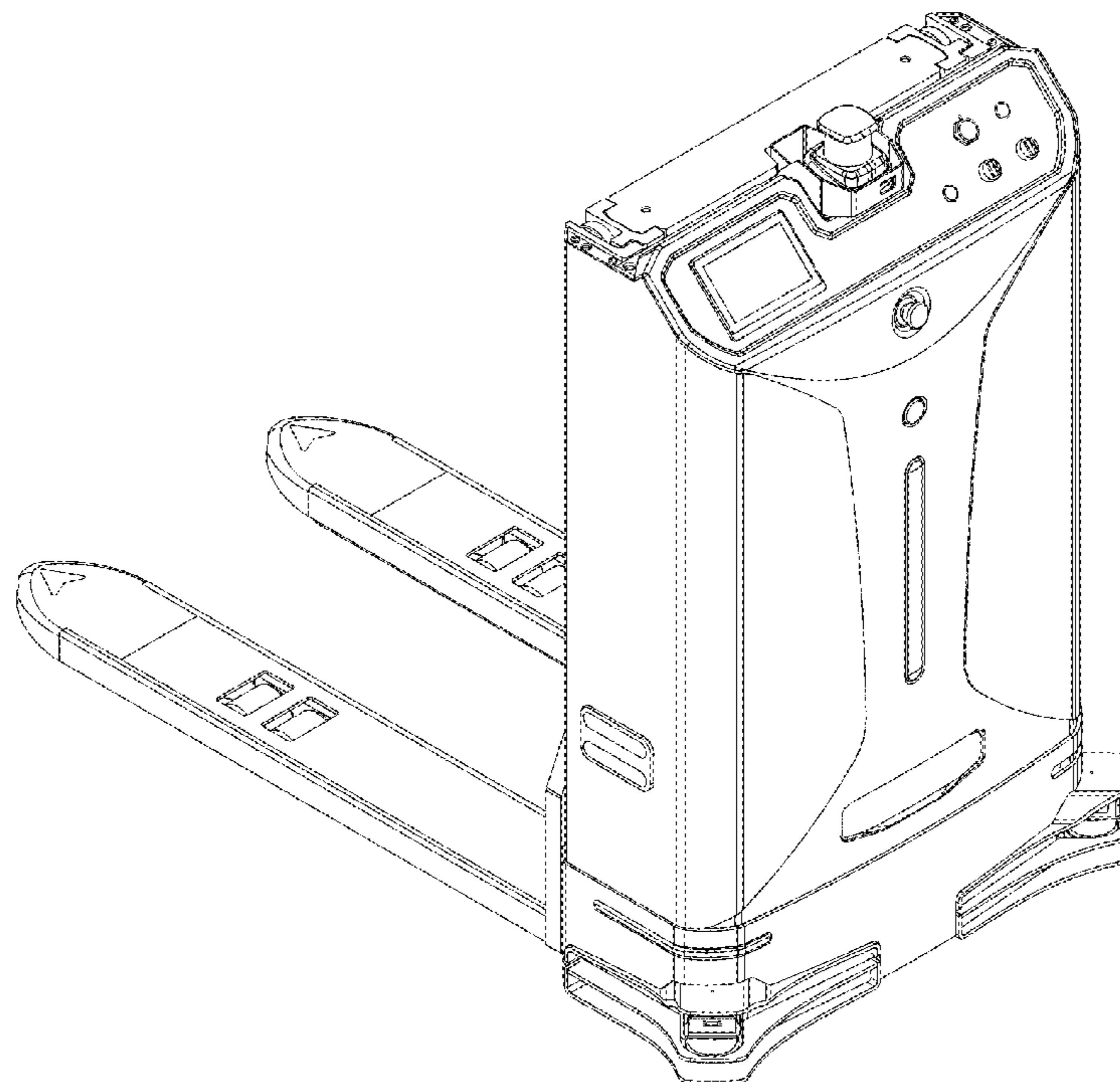
(57) **CLAIM**

The ornamental design for a stacker, as shown and described.

DESCRIPTION

FIG. 1 is a perspective front view of a stacker in accordance with the our new design;
FIG. 2 is a perspective rear view thereof;
FIG. 3 is a front view thereof;
FIG. 4 is a rear view thereof;
FIG. 5 is a left side view thereof;
FIG. 6 is a right side view thereof; and,
FIG. 7 is a top view thereof.
The broken lines show portions of the stacker which are not part of the claimed design.

1 Claim, 7 Drawing Sheets



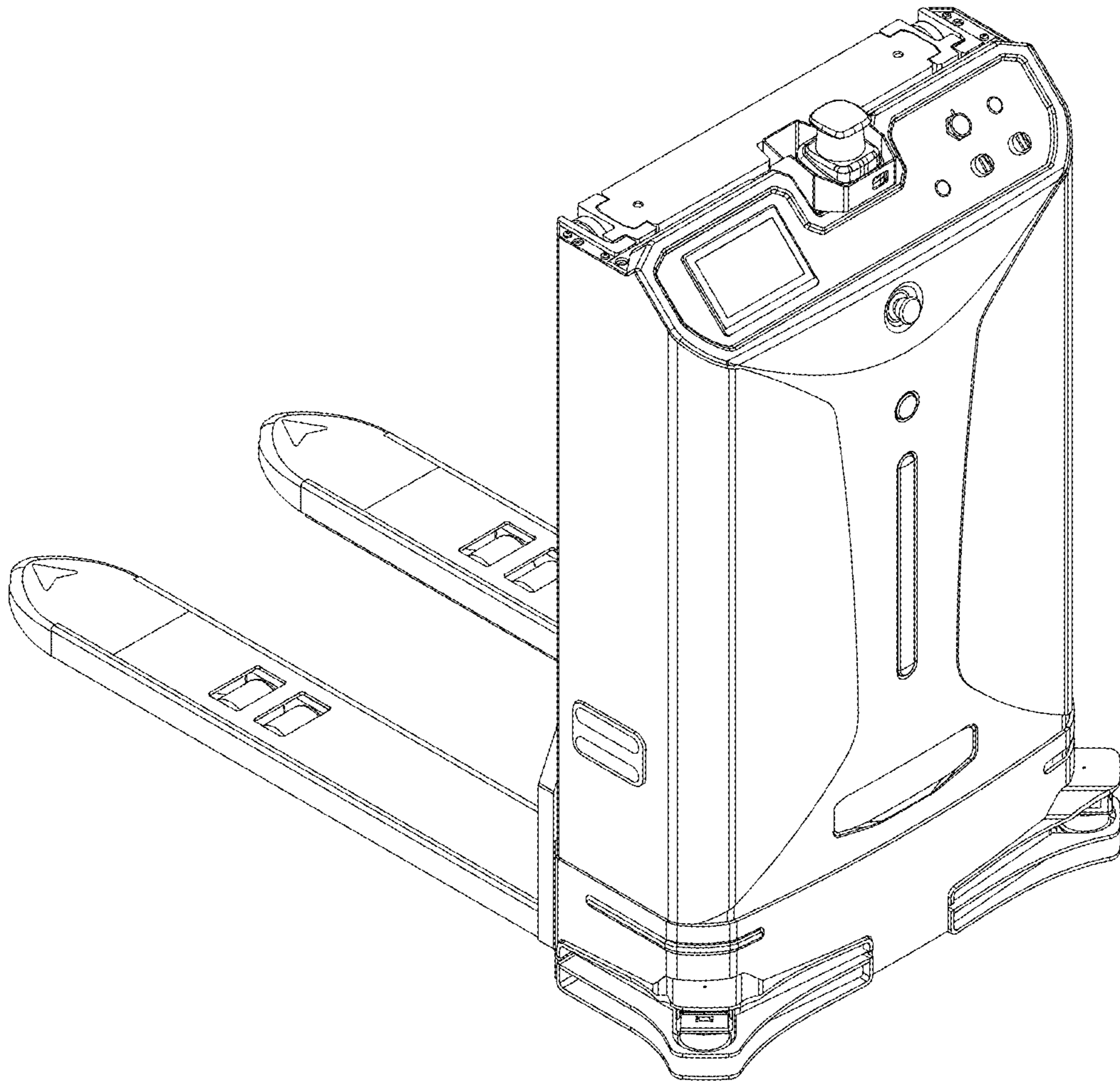


Figure 1

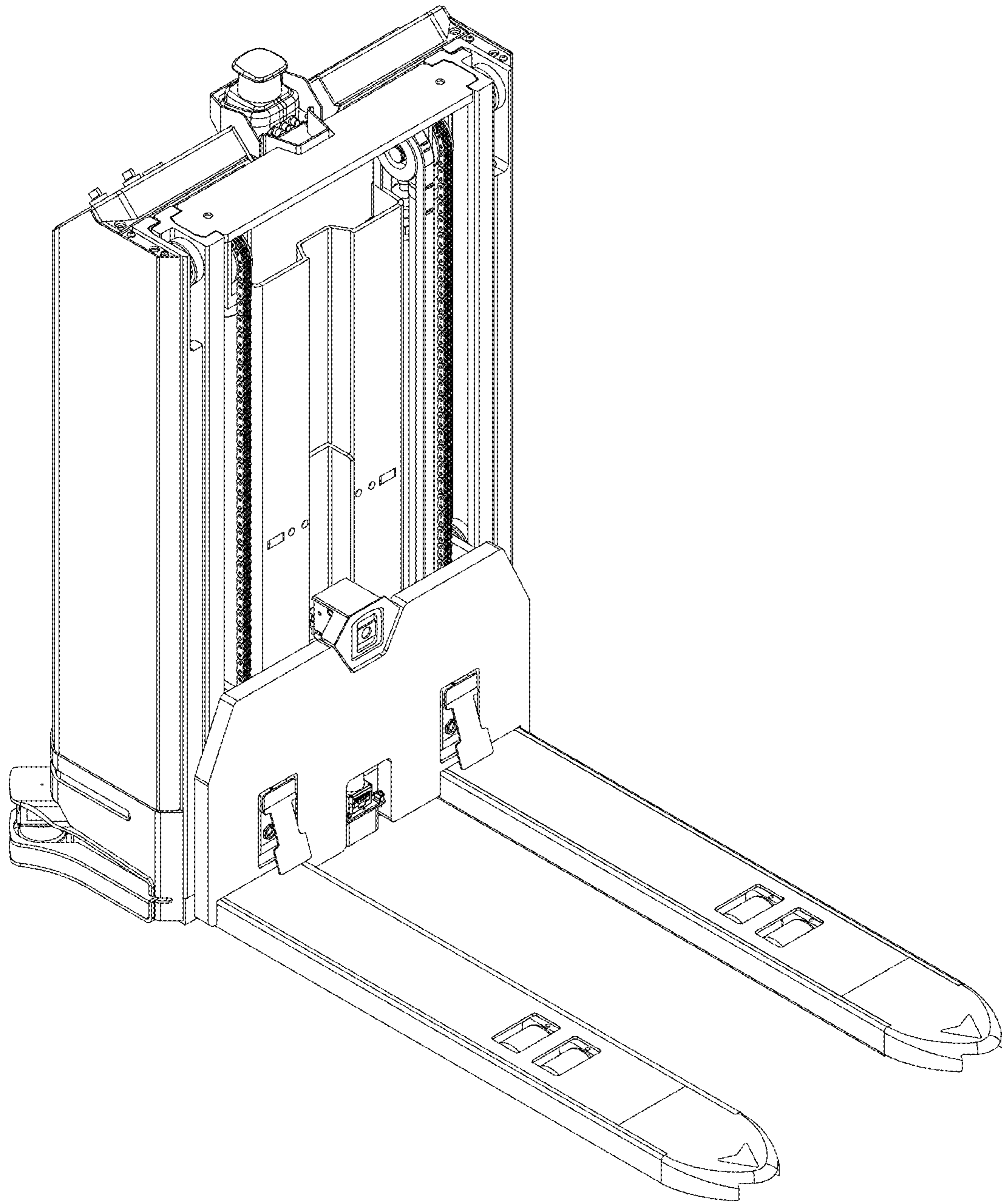


Figure 2

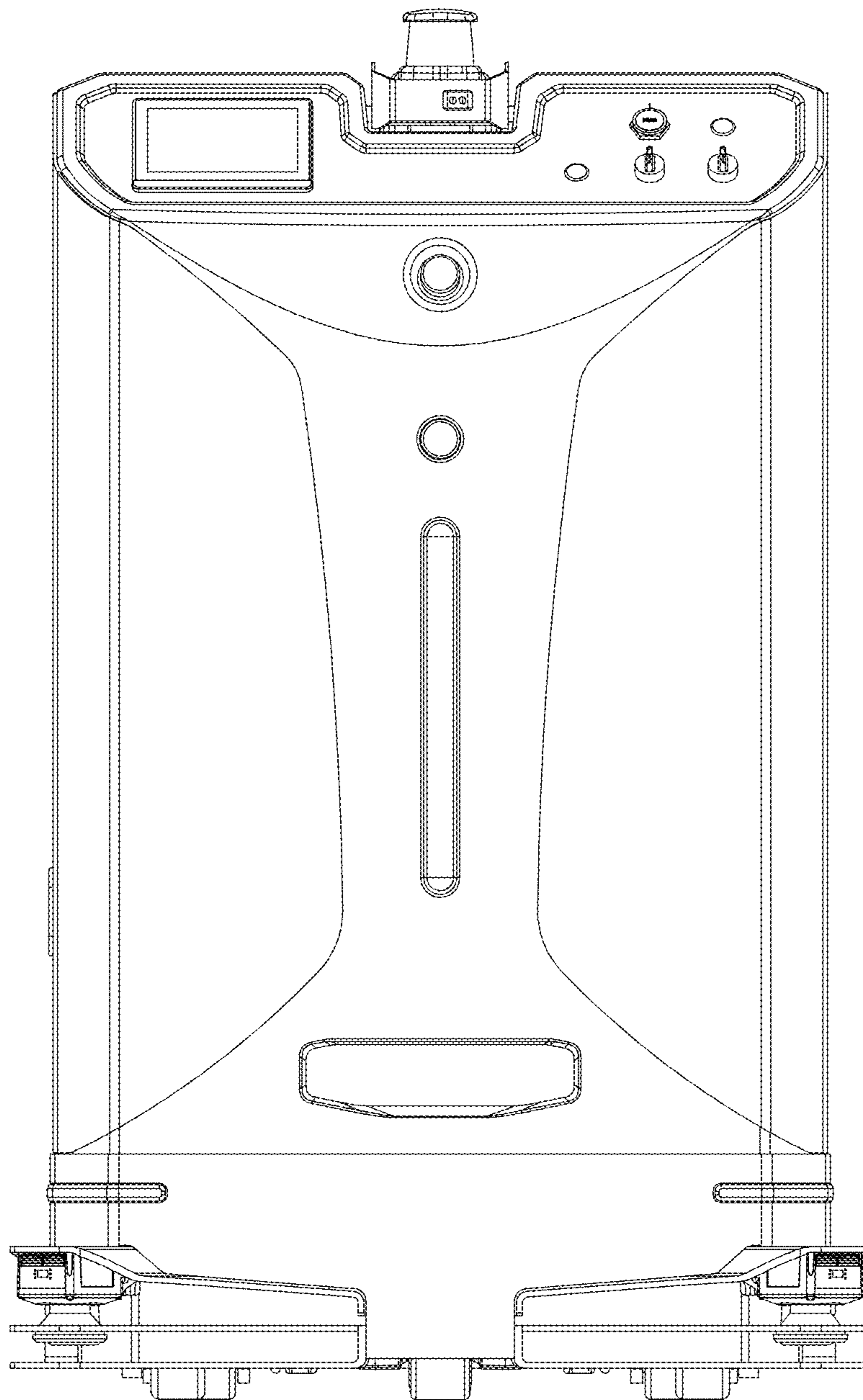


Figure 3

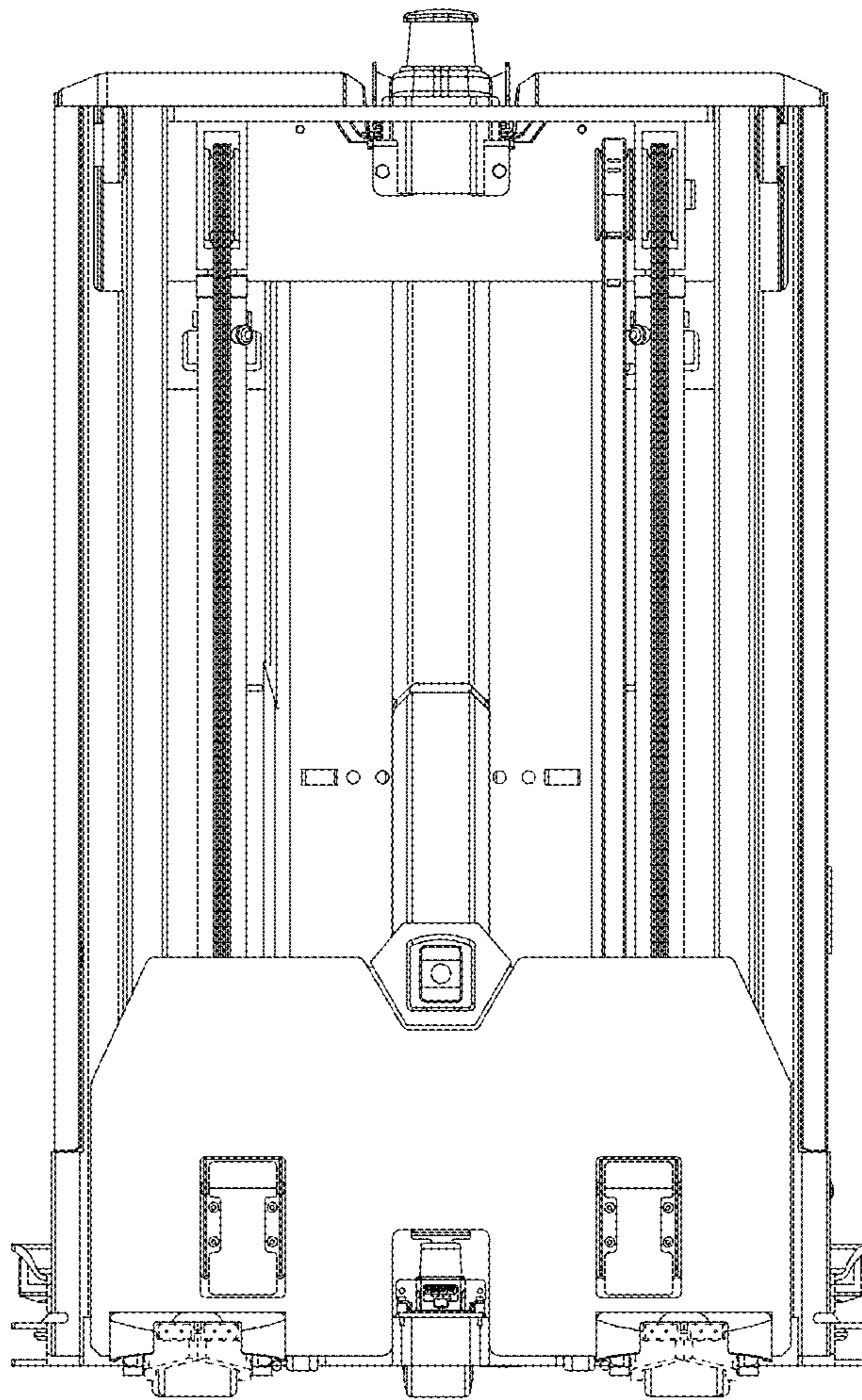


Figure 4

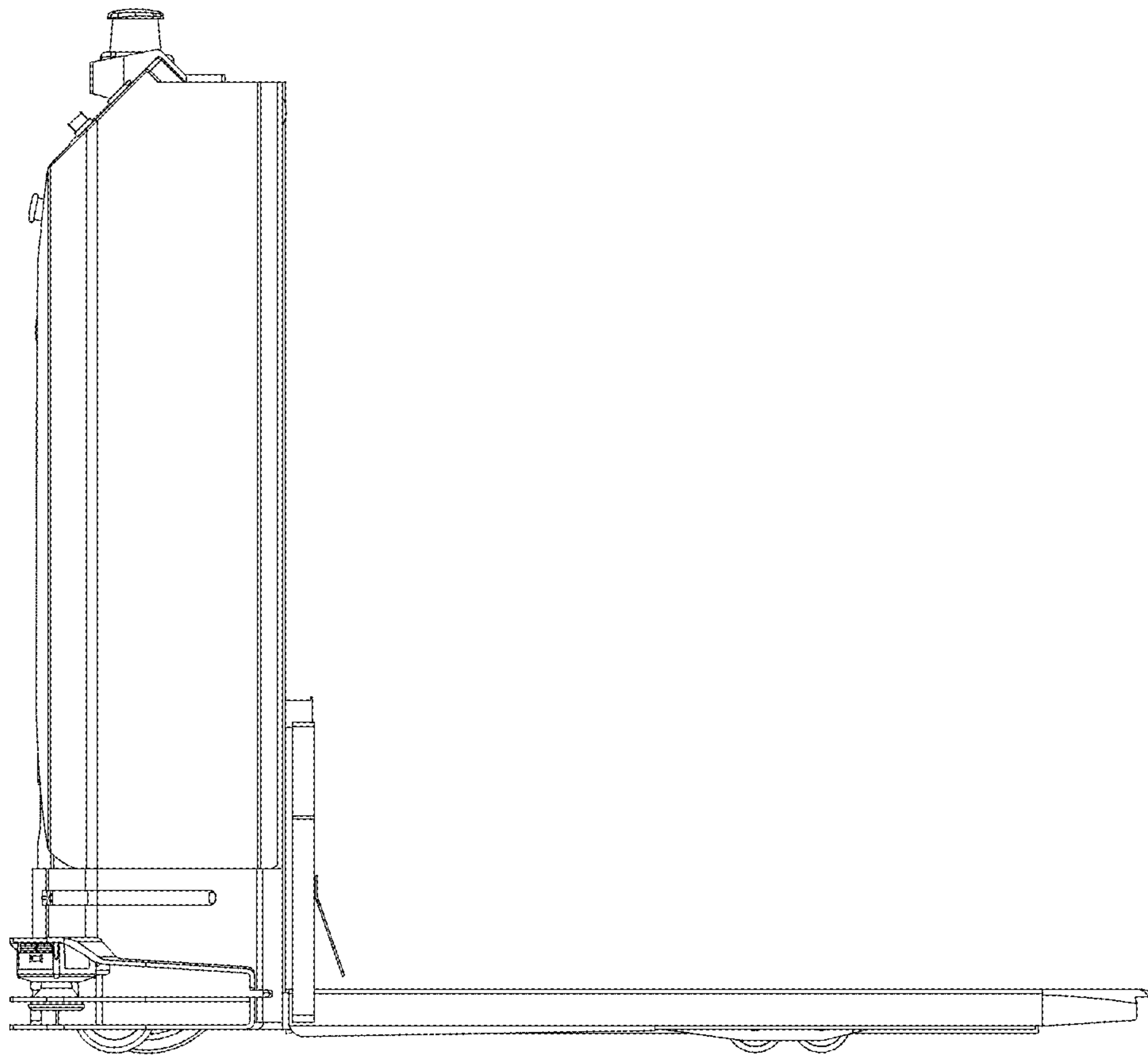


Figure 5

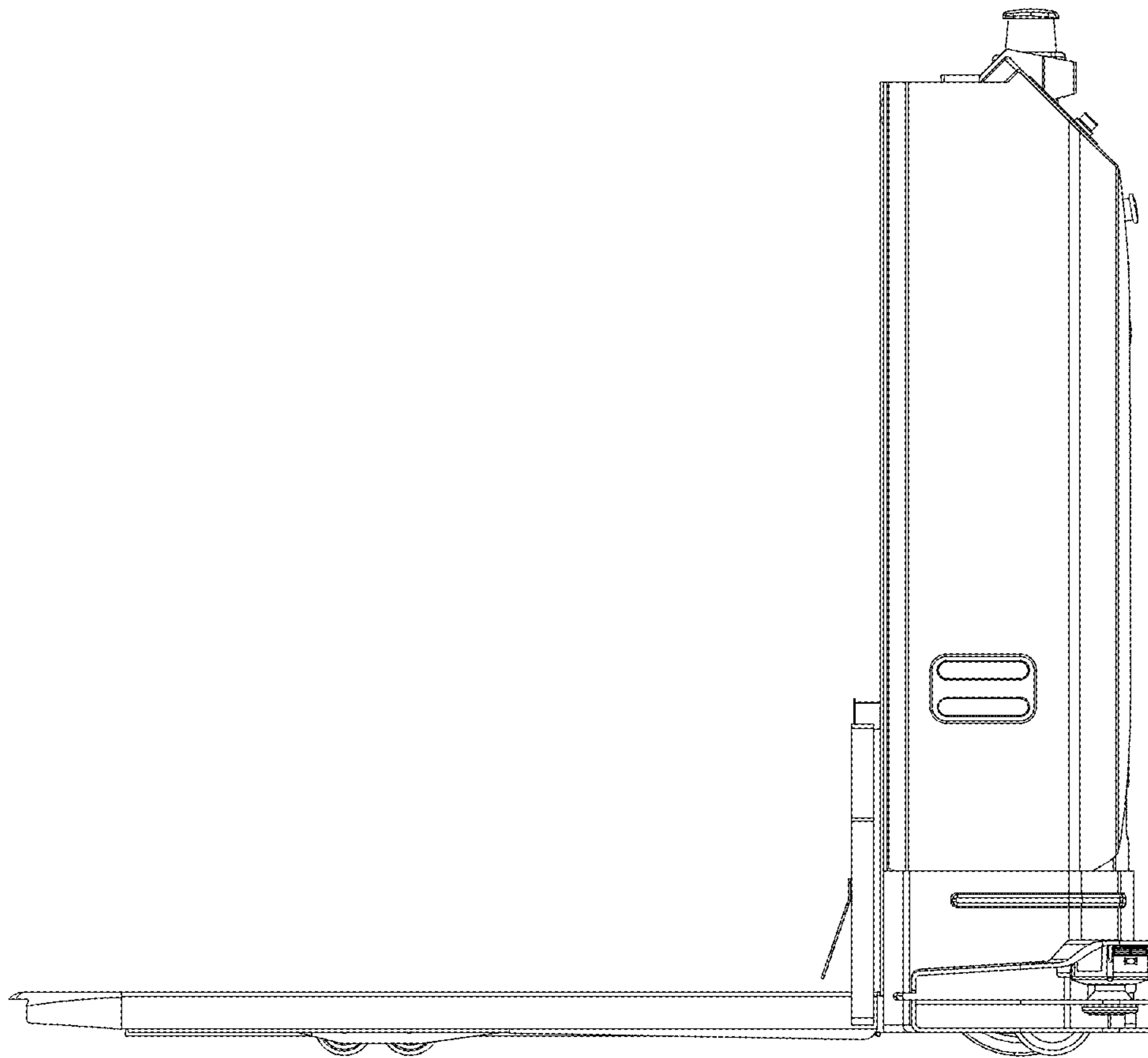


Figure 6

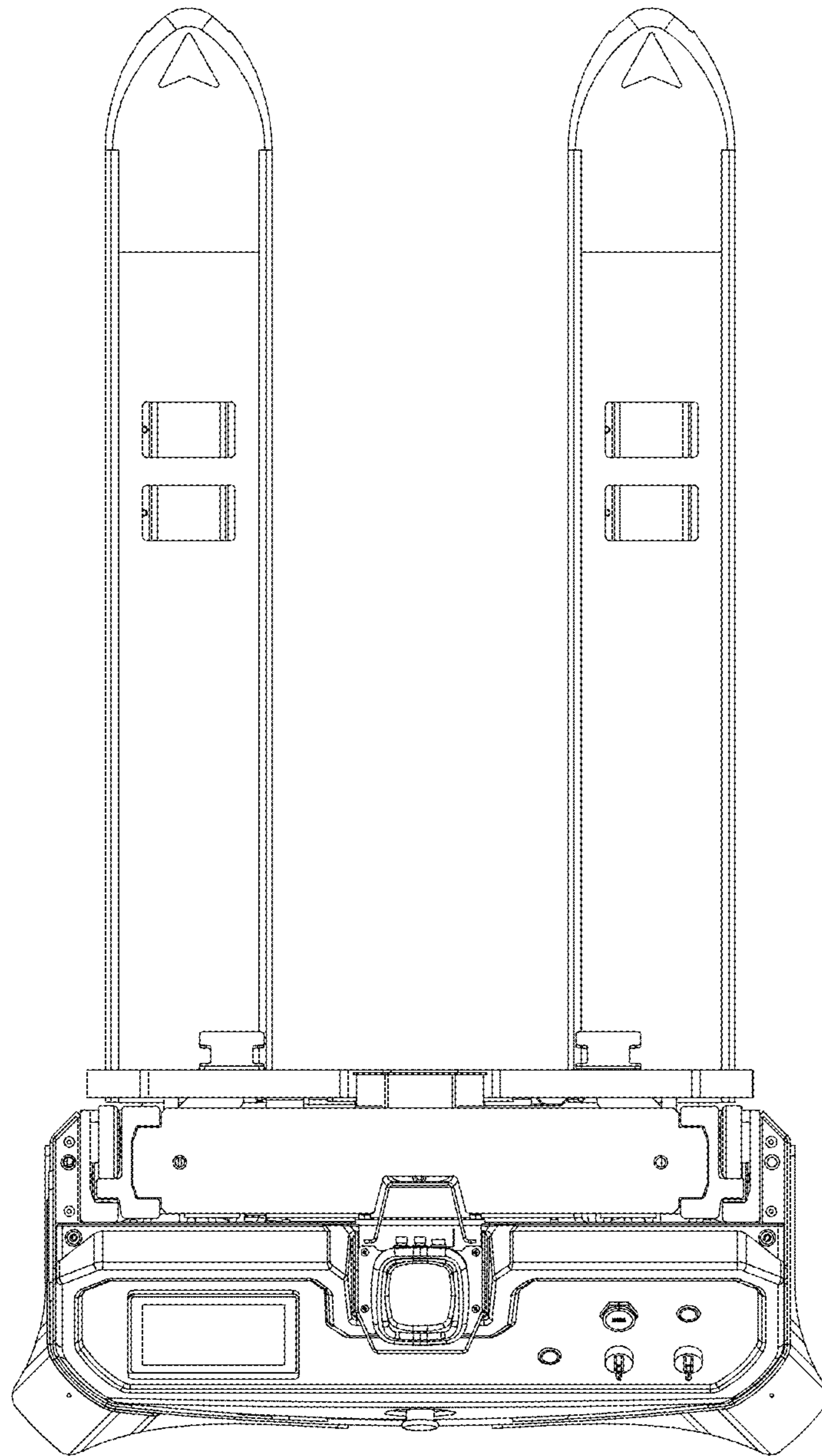


Figure 7