

US00D938126S

(12) **United States Design Patent** (10) **Patent No.:** **US D938,126 S**
You (45) **Date of Patent:** **** Dec. 7, 2021**

(54) **CART**
(71) Applicant: **NINGBO MEIQI TOOL CO., LTD.**,
Zhejiang (CN)
(72) Inventor: **Lizhong You**, Zhejiang (CN)
(73) Assignee: **NINGBO MEIQI TOOL CO., LTD.**,
Zhejiang (CN)
(**) Term: **15 Years**
(21) Appl. No.: **29/724,561**
(22) Filed: **Feb. 18, 2020**
(30) **Foreign Application Priority Data**

Nov. 15, 2019 (CN) 201930630411.2

(51) **LOC (13) Cl.** **12-02**
(52) **U.S. Cl.**
USPC **D34/21**

(58) **Field of Classification Search**
USPC D34/12, 14, 20, 21, 17, 19, 25
CPC B62B 1/112; B62B 1/006; B62B 1/262;
B62B 1/264; B62B 1/14; B62B 1/125;
B62B 3/002; B62B 3/005; B62B 3/029;
B62B 3/02; B62B 3/1408; B62B 3/146;
B62B 3/142; B62B 3/10; B62B 3/12;
B62B 3/14; B62B 3/1492; B62B 3/165;
B62B 2501/065; A47B 31/00; A47B
31/006; A47B 31/02; A47B 2031/002
See application file for complete search history.

(56) **References Cited**
U.S. PATENT DOCUMENTS
D222,633 S * 11/1971 Carter et al. D34/21
4,740,010 A * 4/1988 Moskovitz A47B 31/04
108/170
D354,382 S * 1/1995 Mogensen D34/17

D381,168 S * 7/1997 Delmerico D34/19
D400,334 S * 10/1998 Hawkins D34/21
D585,621 S * 1/2009 Taillon D34/21
D758,688 S * 6/2016 Nai D34/12
D776,391 S * 1/2017 Daniell D34/21
D830,032 S * 10/2018 Sainato D34/21
D831,292 S * 10/2018 Thuma D34/12
D835,875 S * 12/2018 Sokol D34/21
10,390,614 B1 * 8/2019 Olivier A47B 57/30
D898,319 S * 10/2020 Strandmark D34/21
D917,822 S * 4/2021 Matecki D34/21
D919,918 S * 5/2021 Liu D34/21
D920,618 S * 5/2021 Cao D34/21
D920,619 S * 5/2021 Cao D34/21
D922,021 S * 6/2021 Phillips D34/21
2011/0253660 A1 * 10/2011 Pong A47B 31/04
211/198
2016/0297458 A1 * 10/2016 Churchvara B62B 5/0442
2017/0297597 A1 * 10/2017 Chen B62B 3/004

(Continued)

Primary Examiner — Cynthia Ramirez
(74) *Attorney, Agent, or Firm* — JCIP Global Inc.

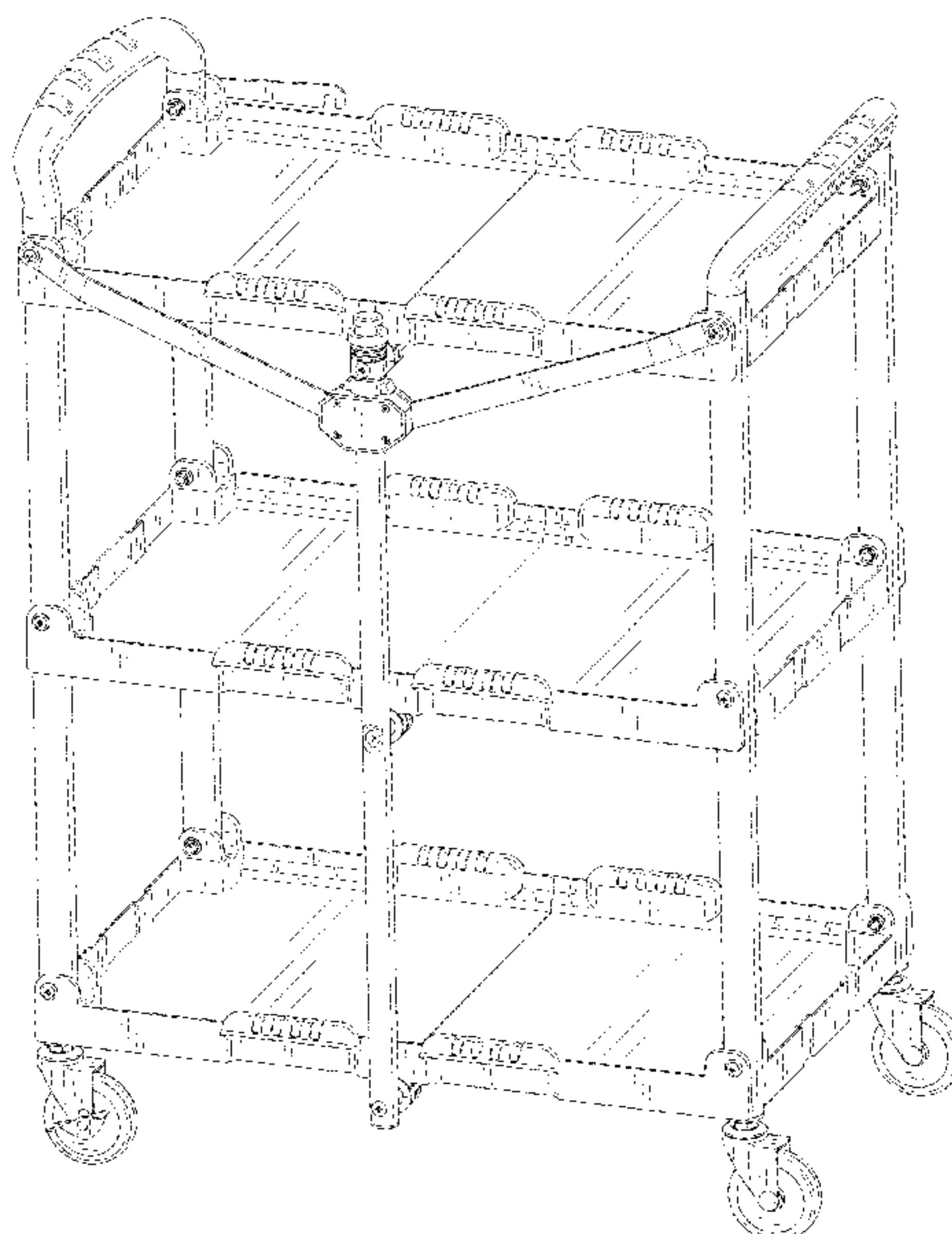
(57) **CLAIM**

The ornamental design for a cart, as shown and described.

DESCRIPTION

FIG. 1 is a perspective view of a cart showing my new design;
FIG. 2 is a front view thereof;
FIG. 3 is a rear view thereof;
FIG. 4 is a left side view thereof;
FIG. 5 is a right side view thereof;
FIG. 6 is a top view thereof;
FIG. 7 is a perspective view thereof, being in a folded state;
and,
FIG. 8 is another perspective view thereof, being in the folded state.
The dashed broken lines illustrate portions of the cart that form no part of the claimed design.

1 Claim, 8 Drawing Sheets



(56)

References Cited

U.S. PATENT DOCUMENTS

2020/0180671 A1* 6/2020 Cao B62B 3/025
2020/0377135 A1* 12/2020 Liao B62B 3/002
2021/0086815 A1* 3/2021 Kopp B62B 5/0006
2021/0146981 A1* 5/2021 You B62B 3/02

* cited by examiner

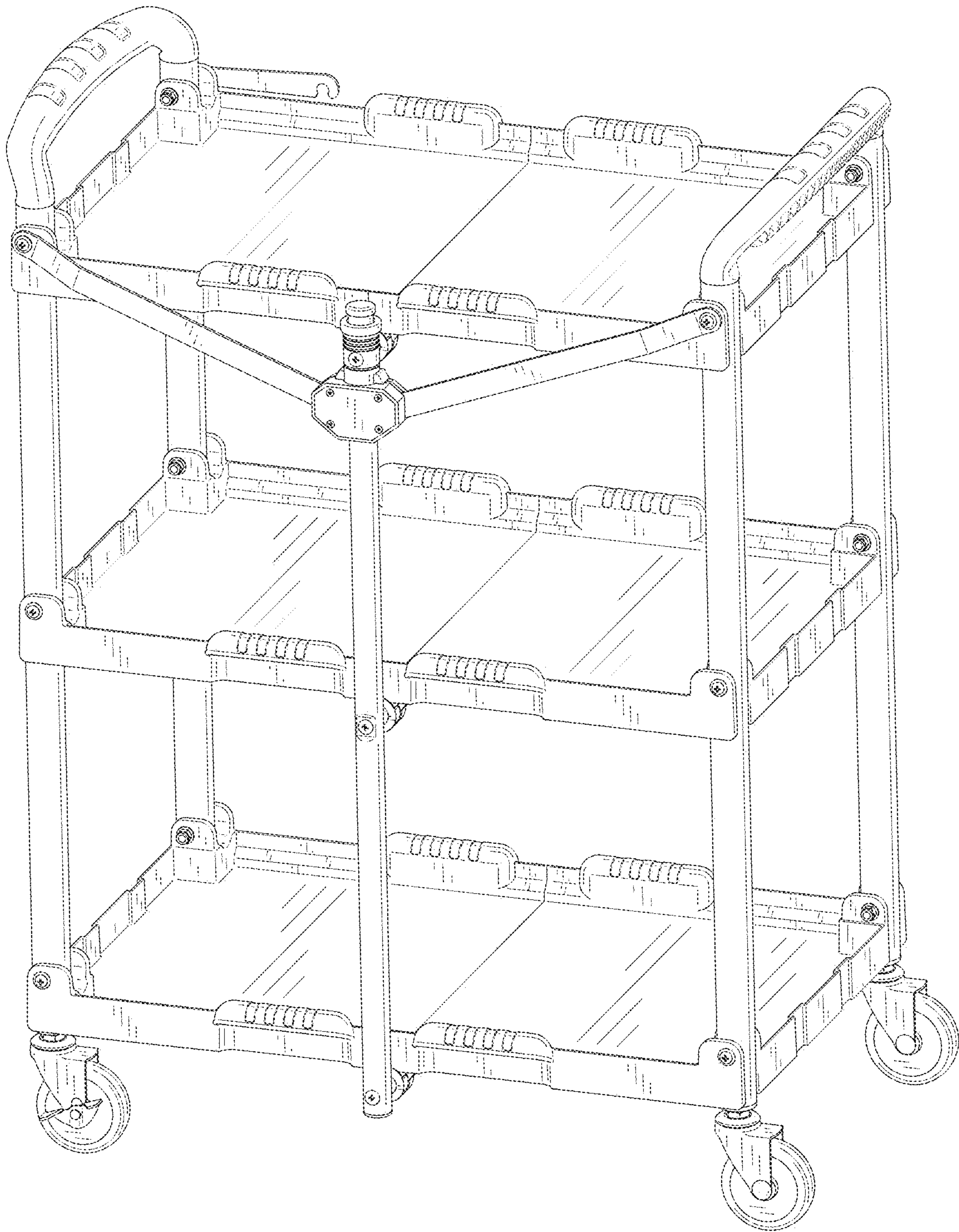


FIG. 1

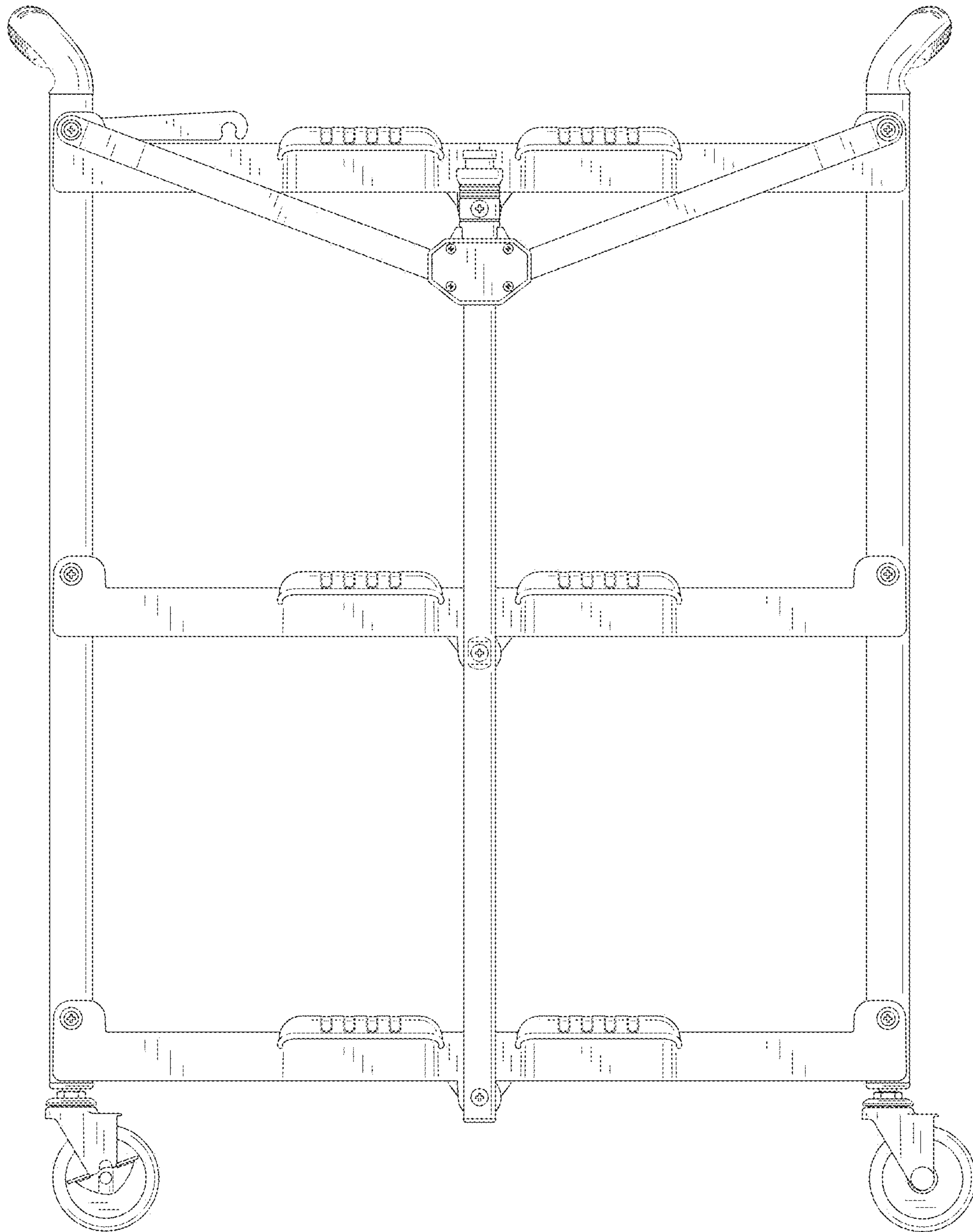


FIG. 2

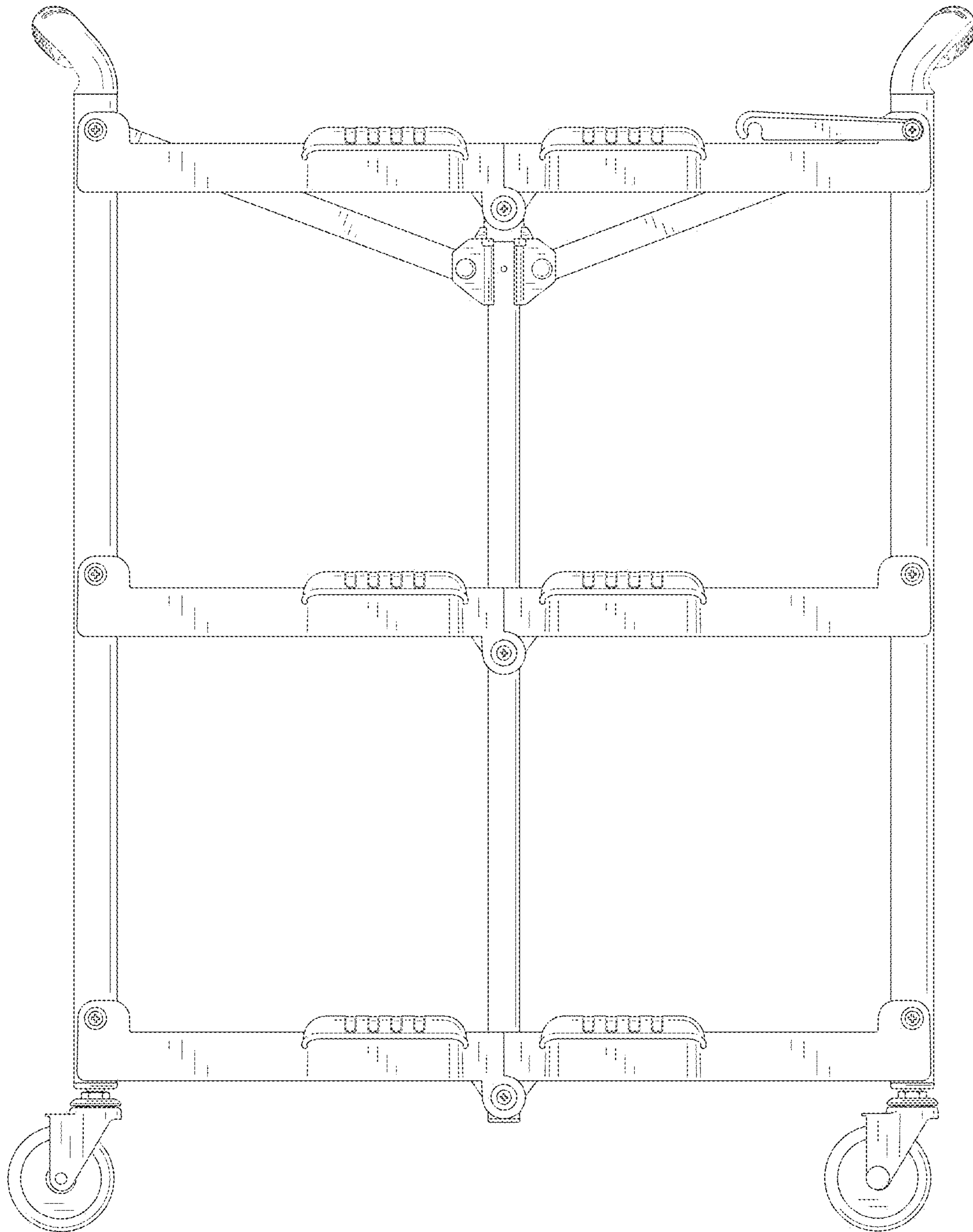


FIG. 3

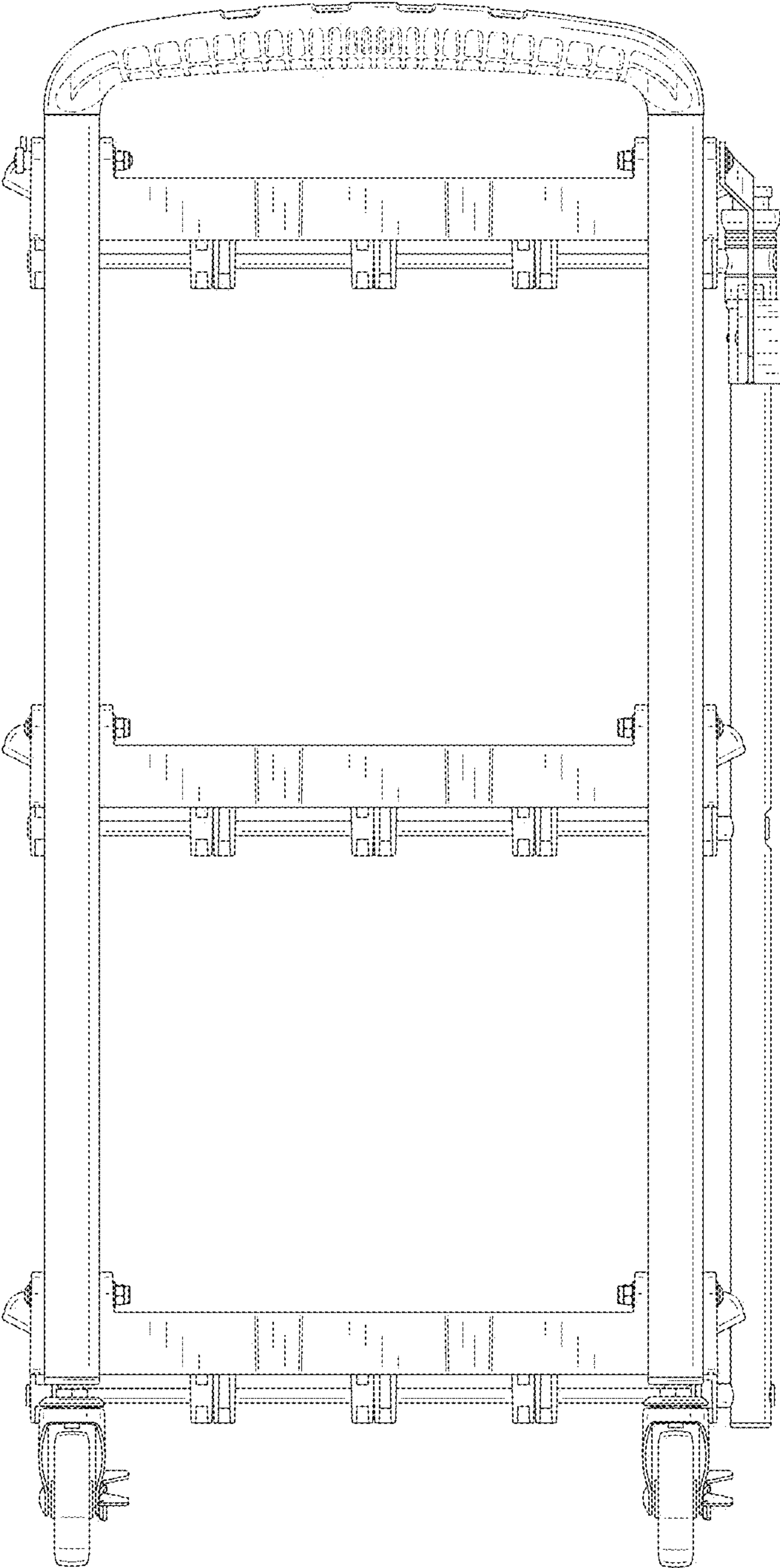


FIG. 4

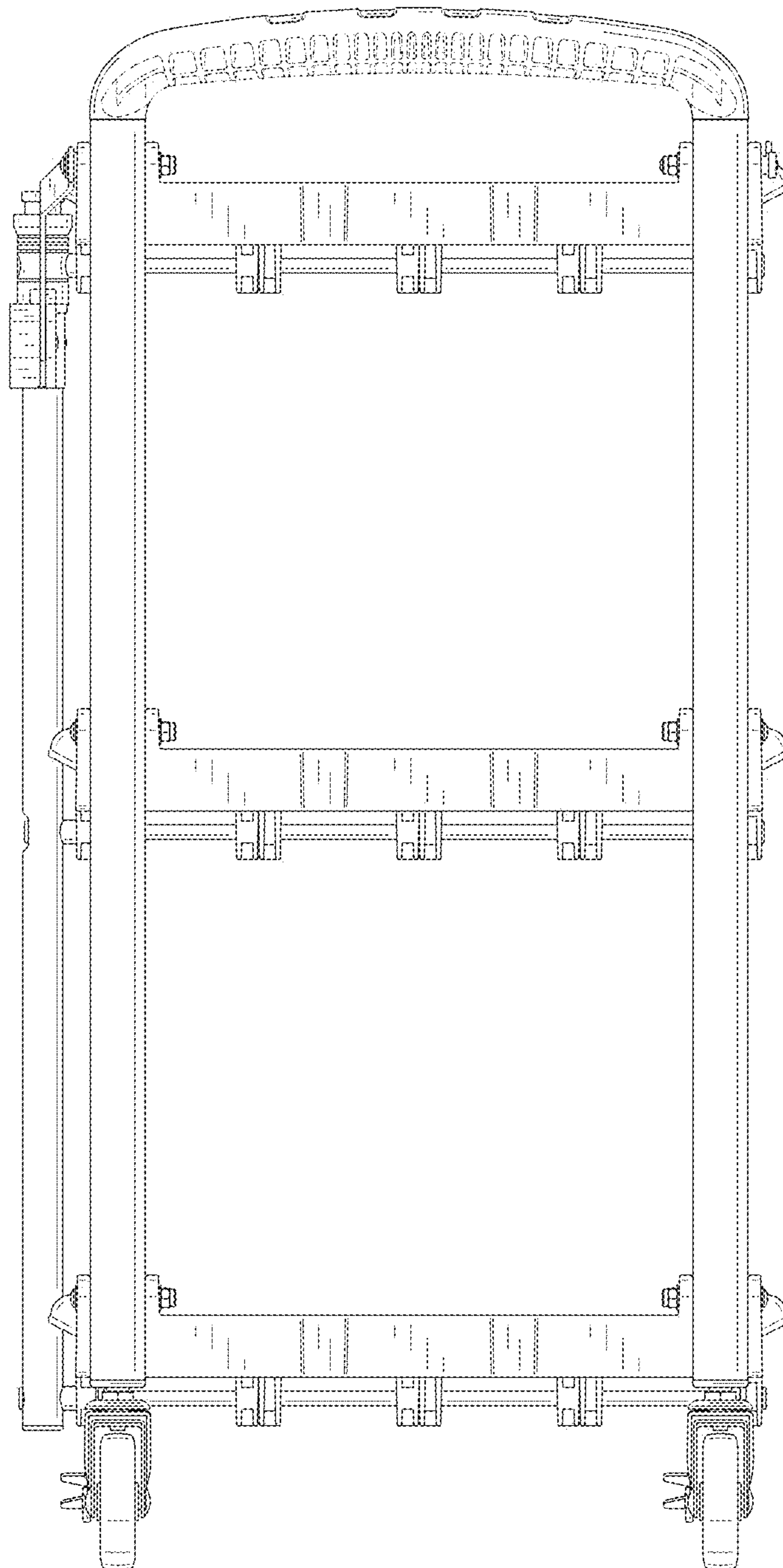


FIG. 5

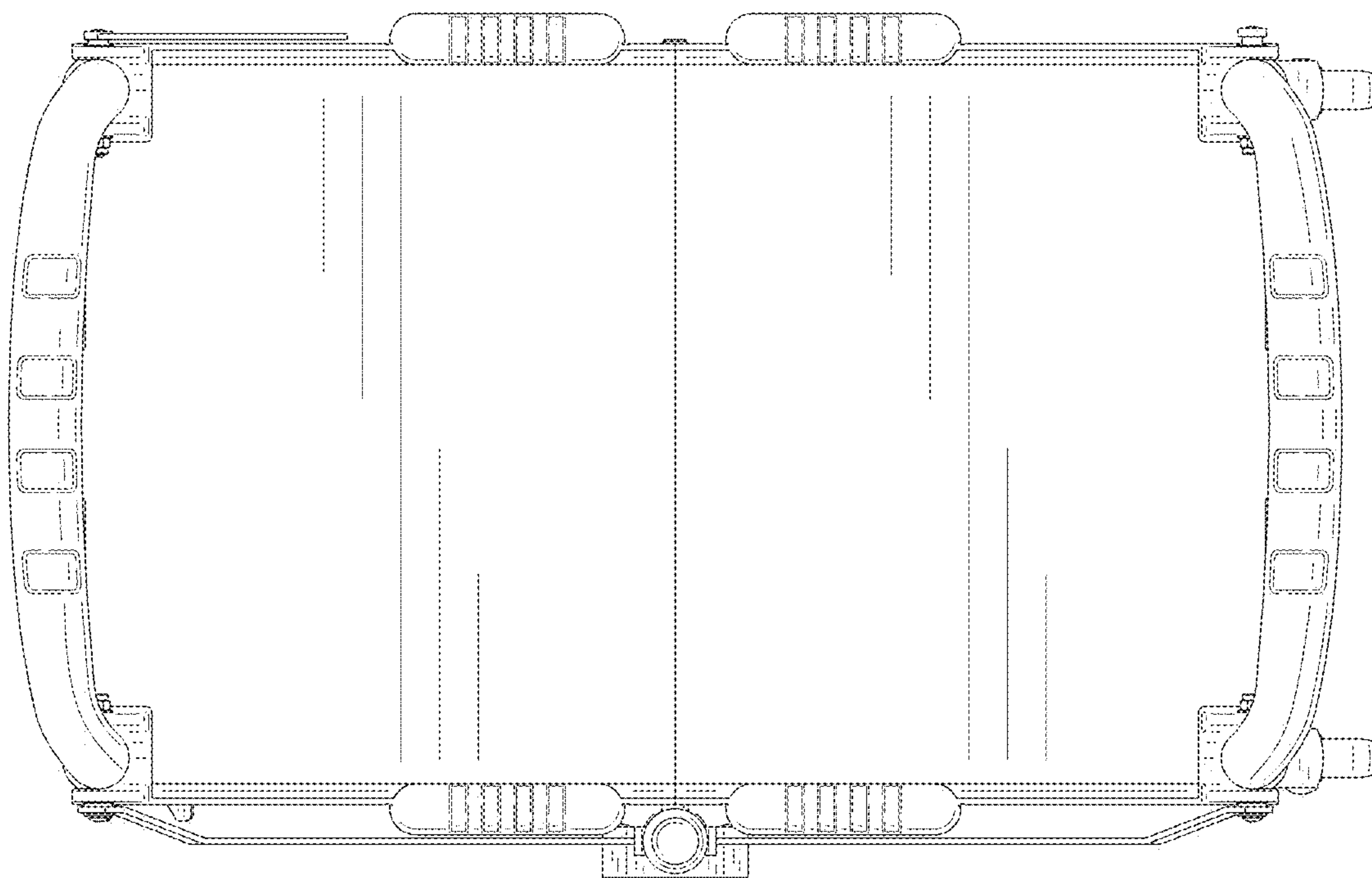


FIG. 6

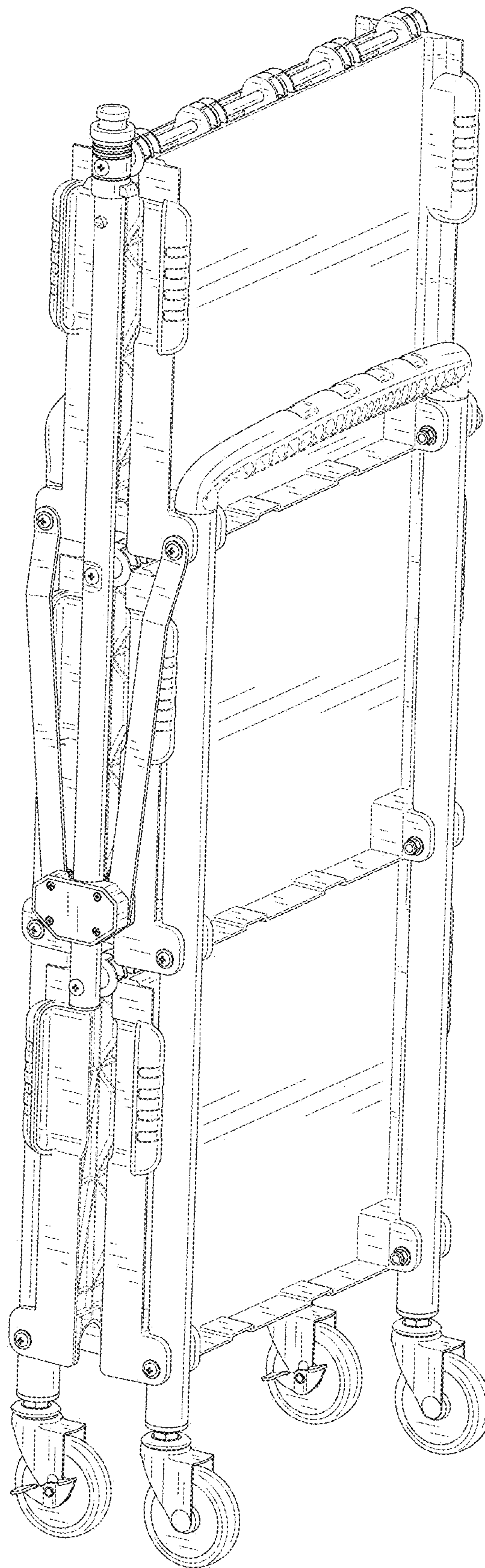


FIG. 7

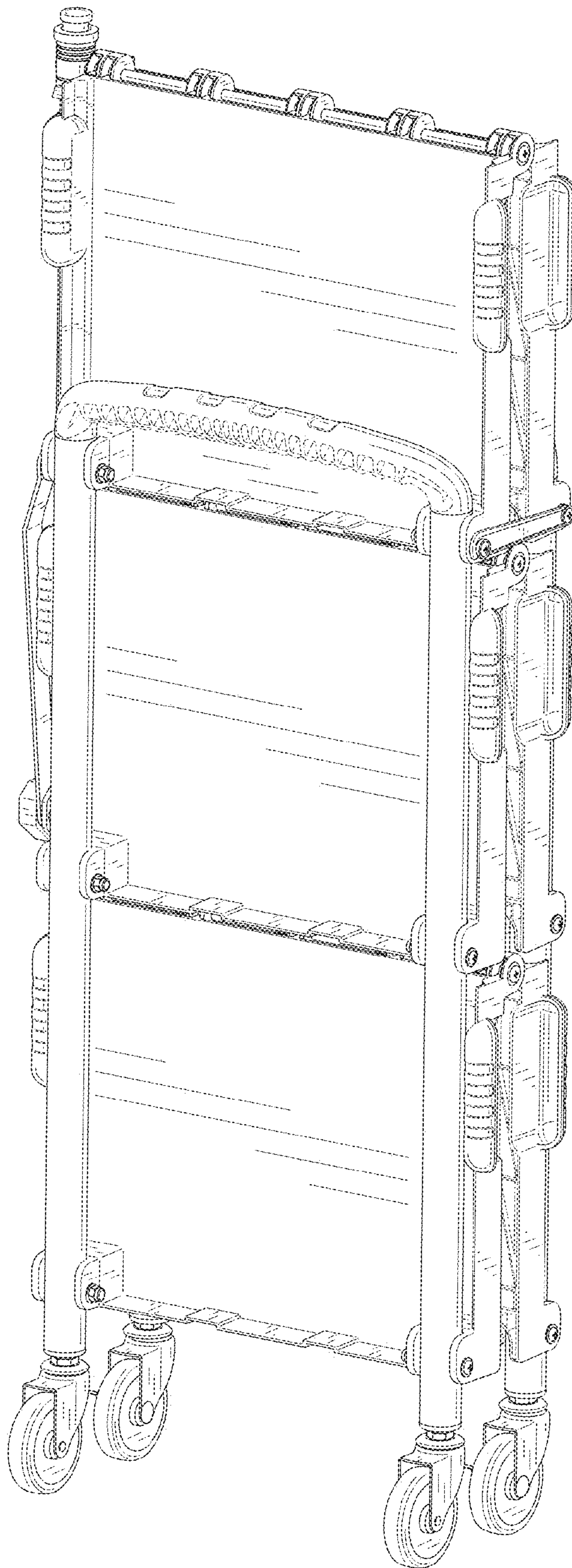


FIG. 8