



US00D938125S

(12) **United States Design Patent**
Zhang

(10) **Patent No.:** **US D938,125 S**

(45) **Date of Patent:** **** Dec. 7, 2021**

(54) **TRASH CAN**

(71) Applicant: **Hao Zhang**, Zhejiang (CN)

(72) Inventor: **Hao Zhang**, Zhejiang (CN)

(**) Term: **15 Years**

(21) Appl. No.: **29/752,108**

(22) Filed: **Sep. 25, 2020**

(51) **LOC (13) Cl.** **09-09**

(52) **U.S. Cl.**
USPC **D34/7**

(58) **Field of Classification Search**
USPC D34/1, 7, 8, 9, 10, 11
CPC .. B65F 1/06; B65F 1/163; B65F 1/062; B65F
1/1607; B65F 1/1605; B65F 1/16; B65F
1/14; B65F 2220/12; B65F 2230/00;
B65F 2250/1146

See application file for complete search history.

(56) **References Cited**

U.S. PATENT DOCUMENTS

D587,566 S *	3/2009	Albrecht	D9/424
D593,269 S *	5/2009	Weiler	D32/53
D644,389 S *	8/2011	Roberts	D34/7
D722,735 S *	2/2015	Del Rosario Roy	D34/8
D806,974 S *	1/2018	Lloyd	D34/7
D830,659 S	10/2018	Greenspon et al.		
D831,289 S	10/2018	Greenspon et al.		

D900,422 S *	10/2020	Joseph	D34/7
D909,000 S *	1/2021	Grossman	D34/7
2010/0193534 A1 *	8/2010	Roberts	B65F 1/1615 220/810

* cited by examiner

Primary Examiner — Cynthia Ramirez

(74) *Attorney, Agent, or Firm* — ScienBiziP, P.C.

(57) **CLAIM**

The ornamental design for a trash can, as shown and described.

DESCRIPTION

FIG. 1 is a front and top perspective view of a trash can, showing my design.

FIG. 2 is a front elevation view thereof.

FIG. 3 is a rear elevation view thereof.

FIG. 4 is a left side elevation thereof.

FIG. 5 is a right side elevation thereof.

FIG. 6 is a top plan view thereof.

FIG. 7 is a bottom plan view thereof.

FIG. 8 is a perspective view of the trash can wherein a lid is hung on the trash can.

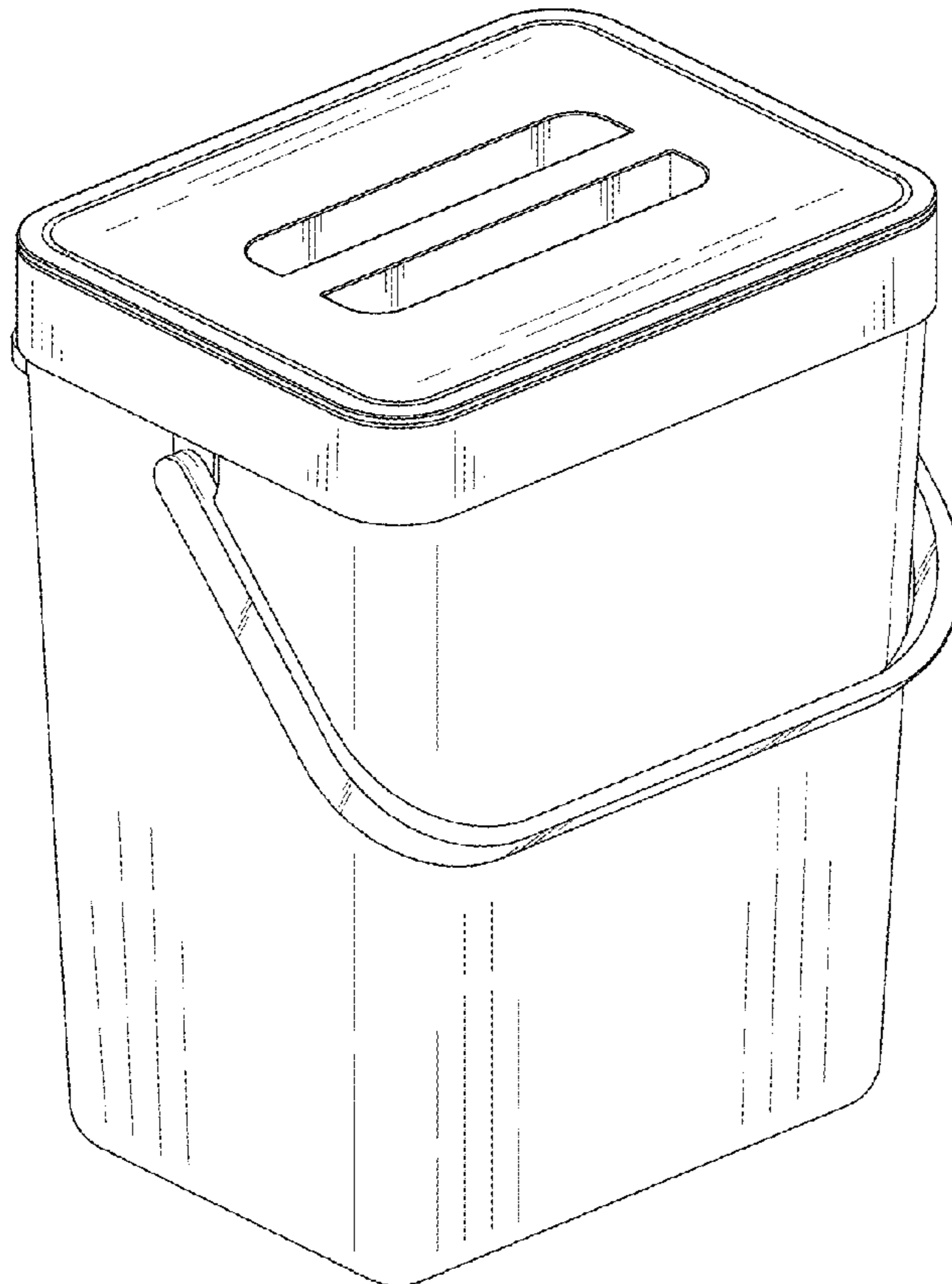
FIG. 9 is another perspective view of the trash can wherein the lid is hung on the trash can.

FIG. 10 is a perspective view showing the trash can in condition of use; and,

FIG. 11 is a perspective view showing the trash can in an alternate condition of use.

The broken lines in the drawings show environment, and form no part of the claimed design.

1 Claim, 11 Drawing Sheets



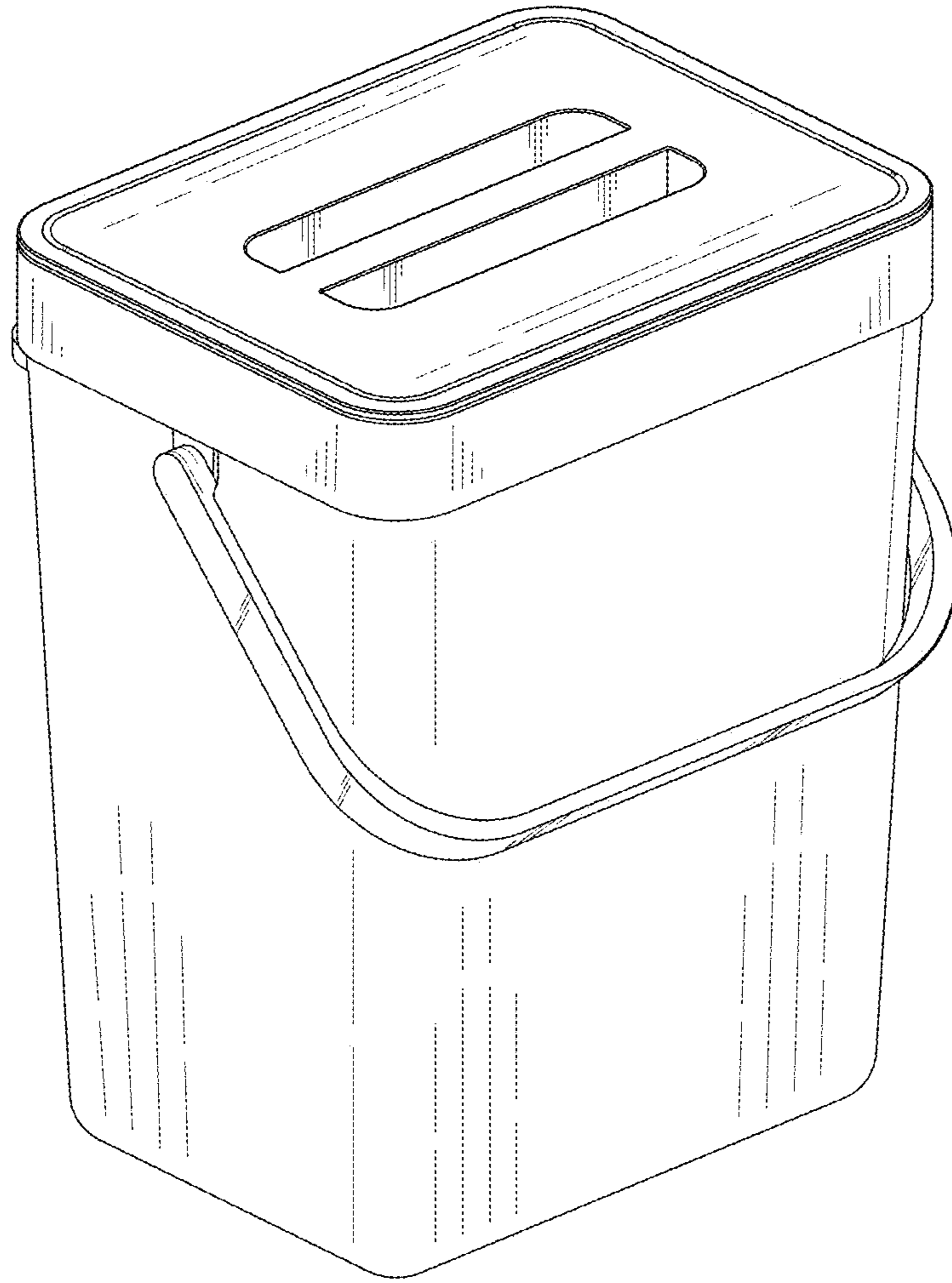


FIG.1

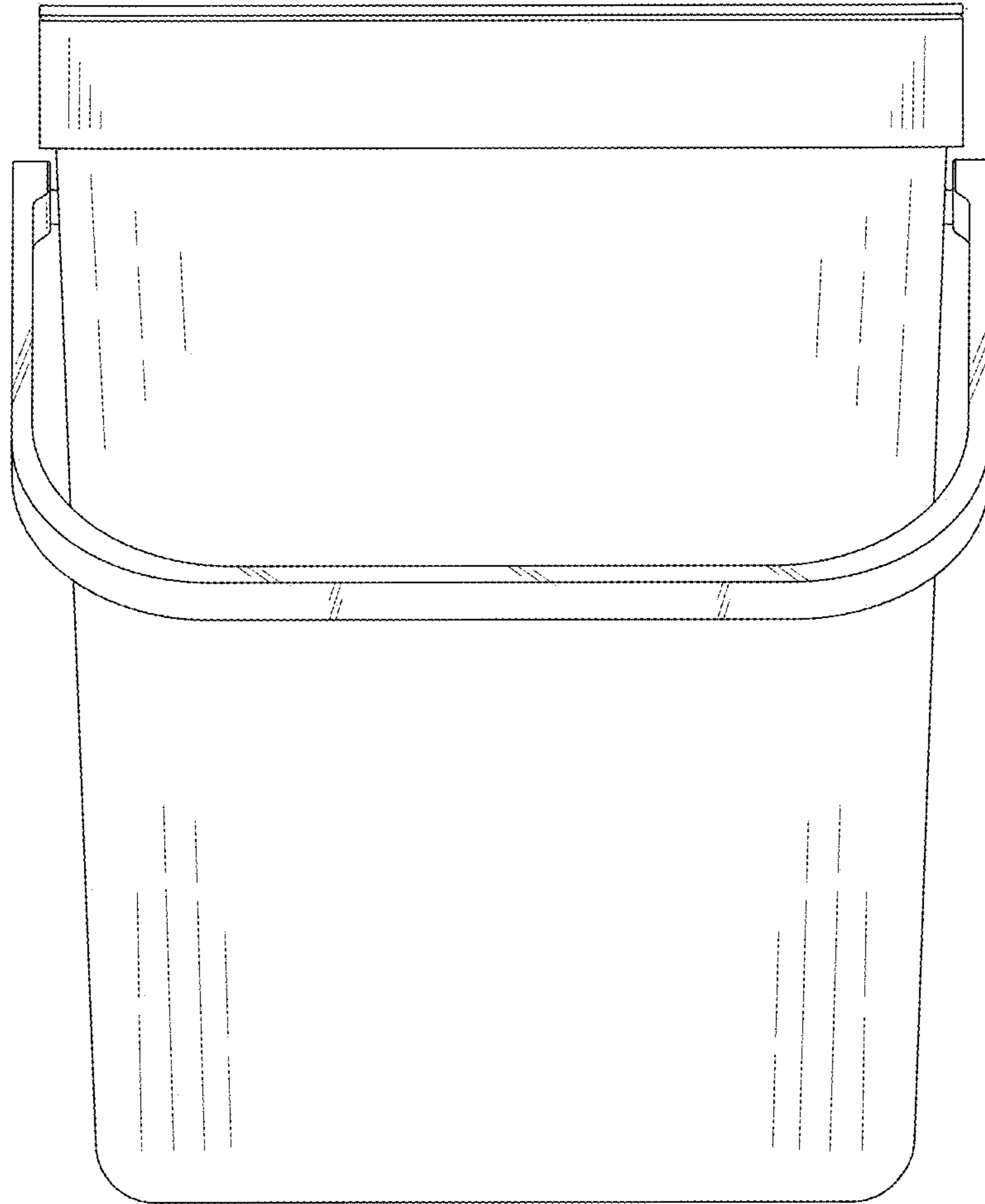


FIG.2

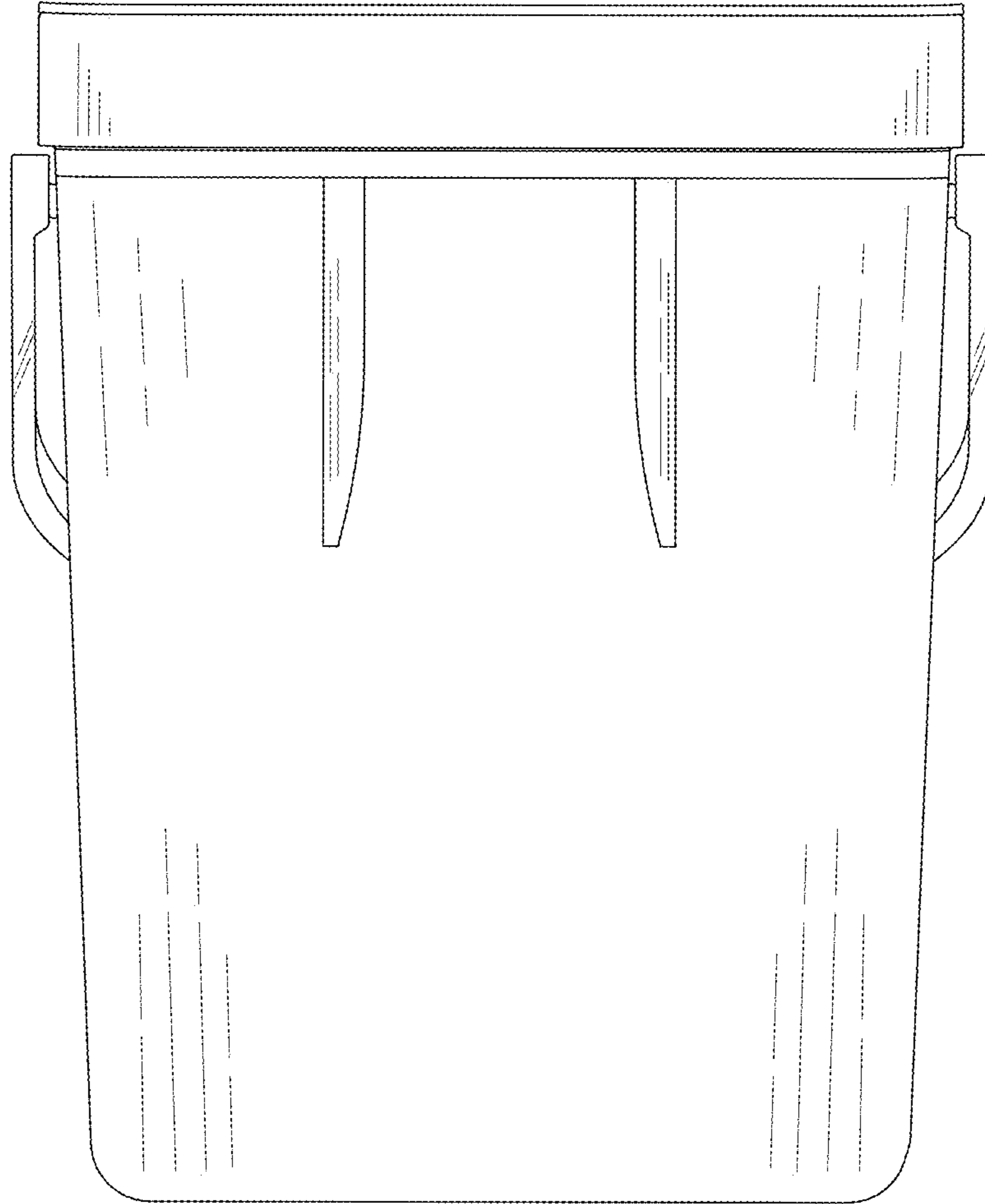


FIG.3

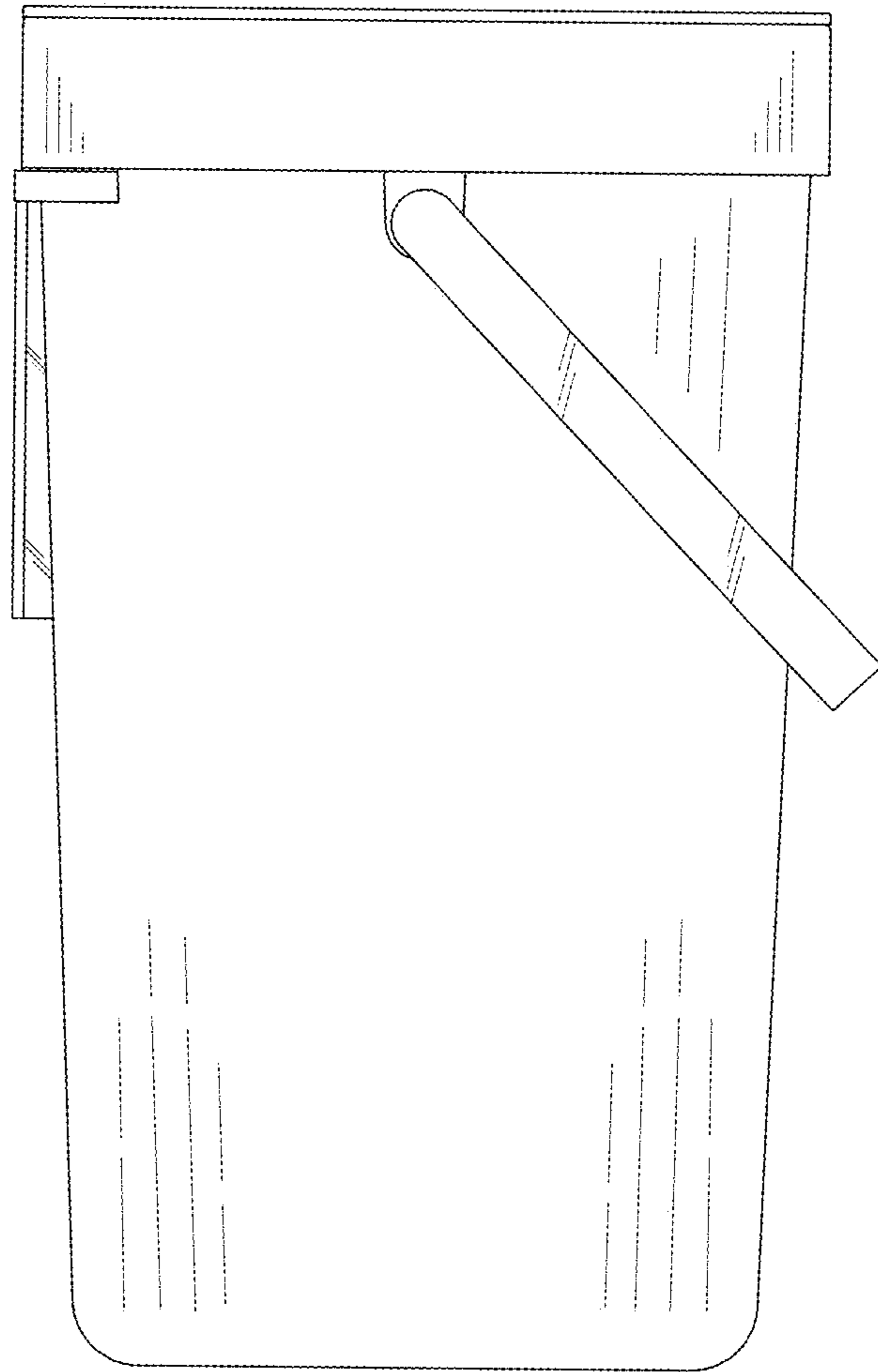


FIG.4

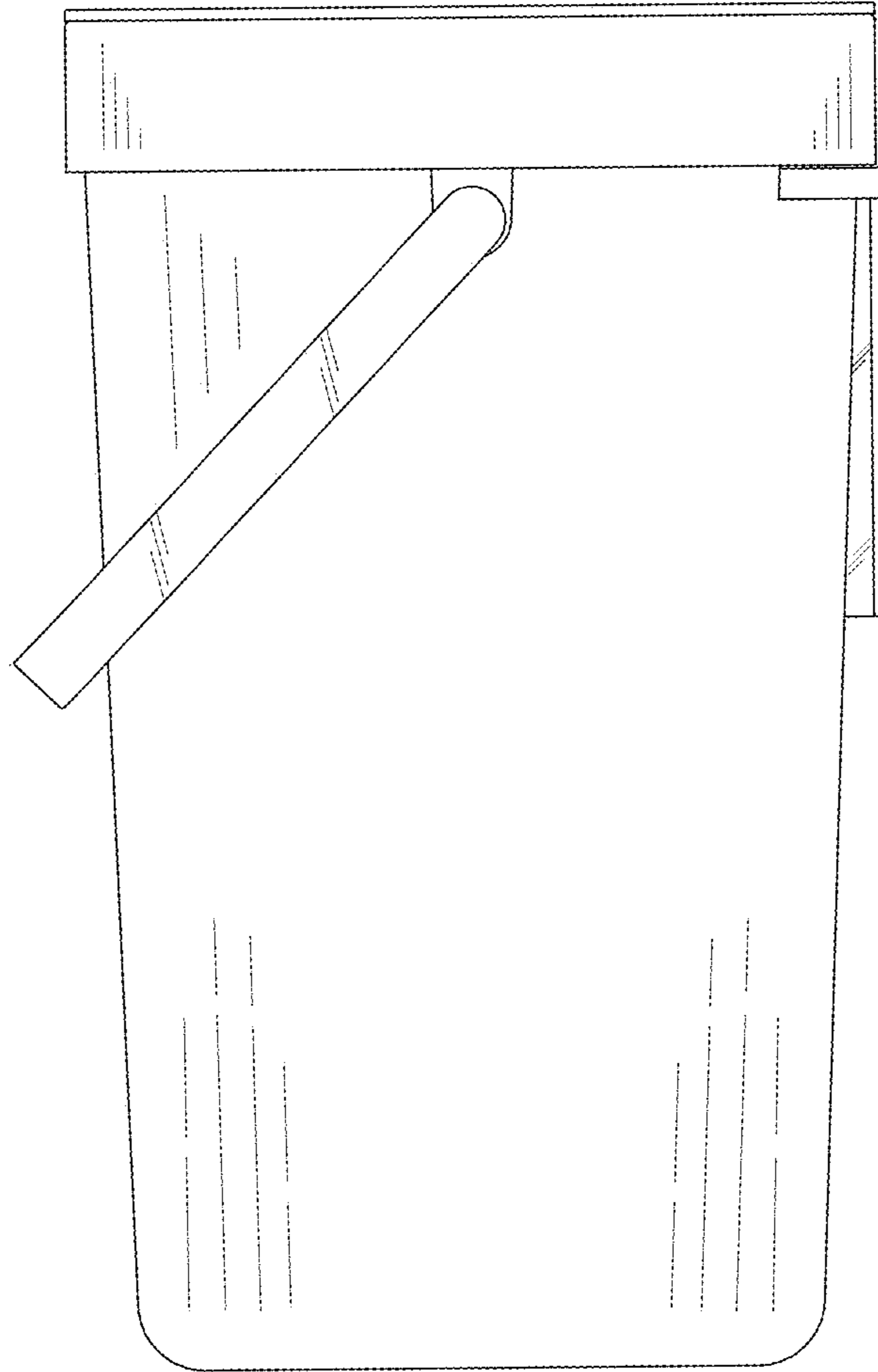


FIG.5

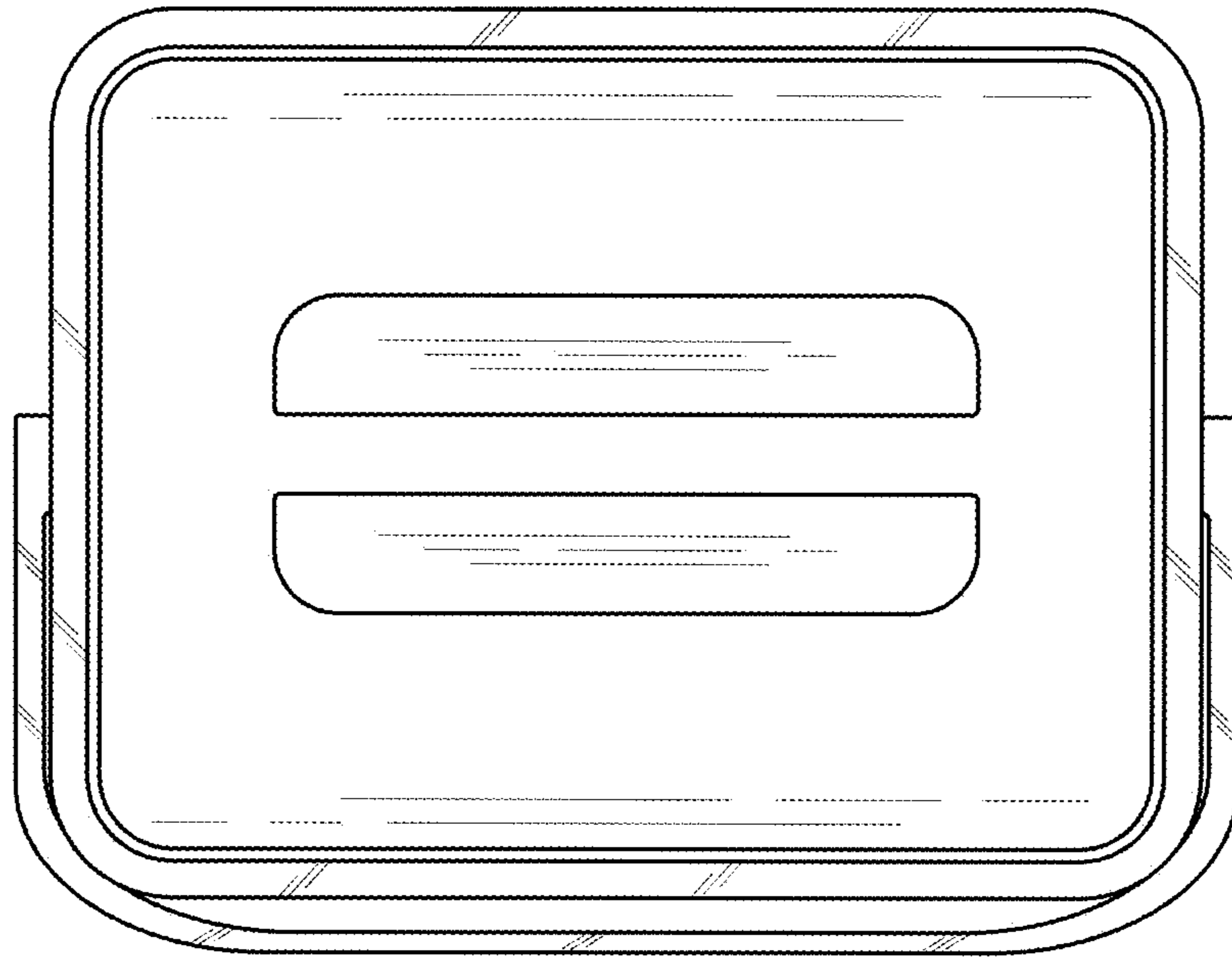


FIG. 6

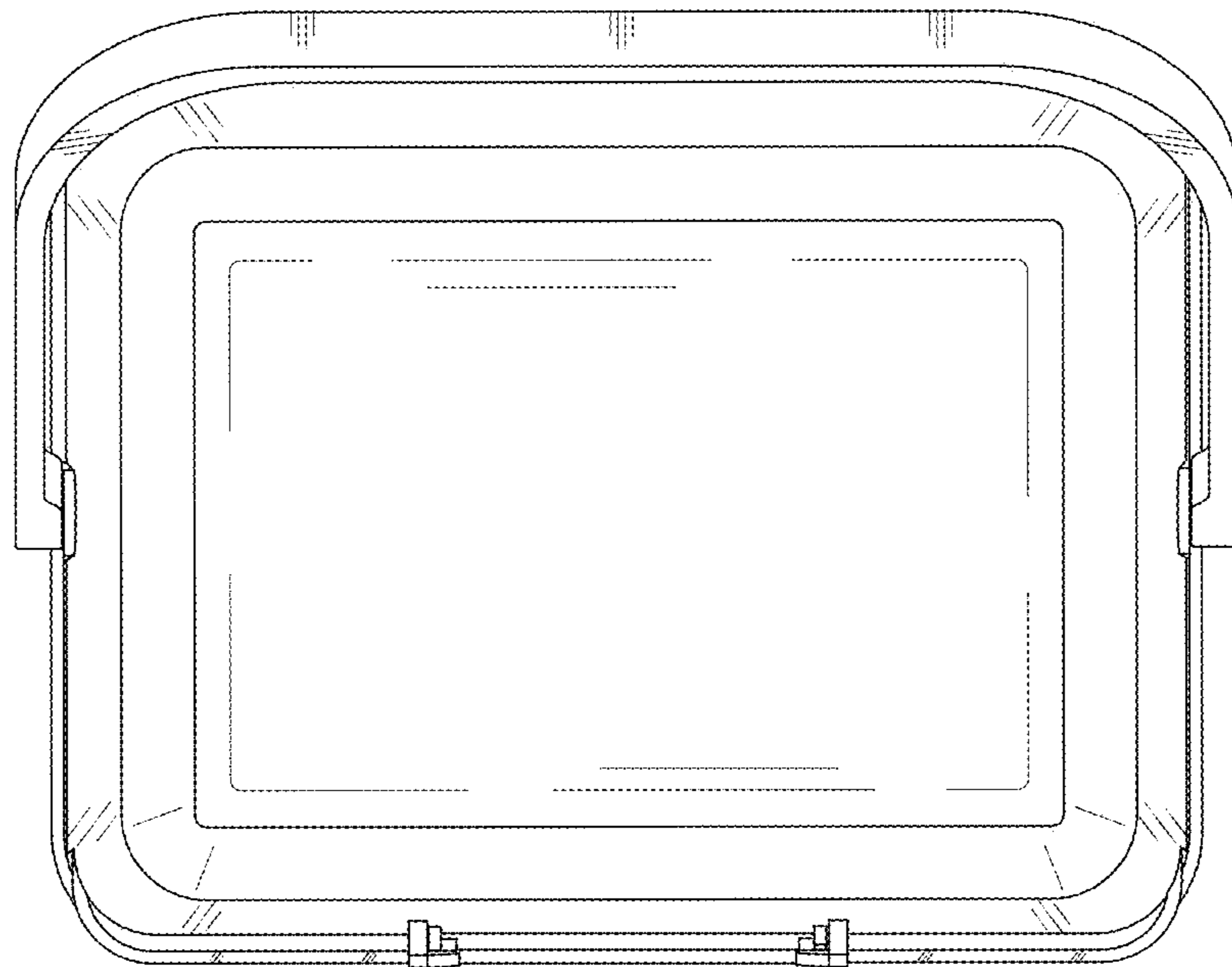


FIG.7

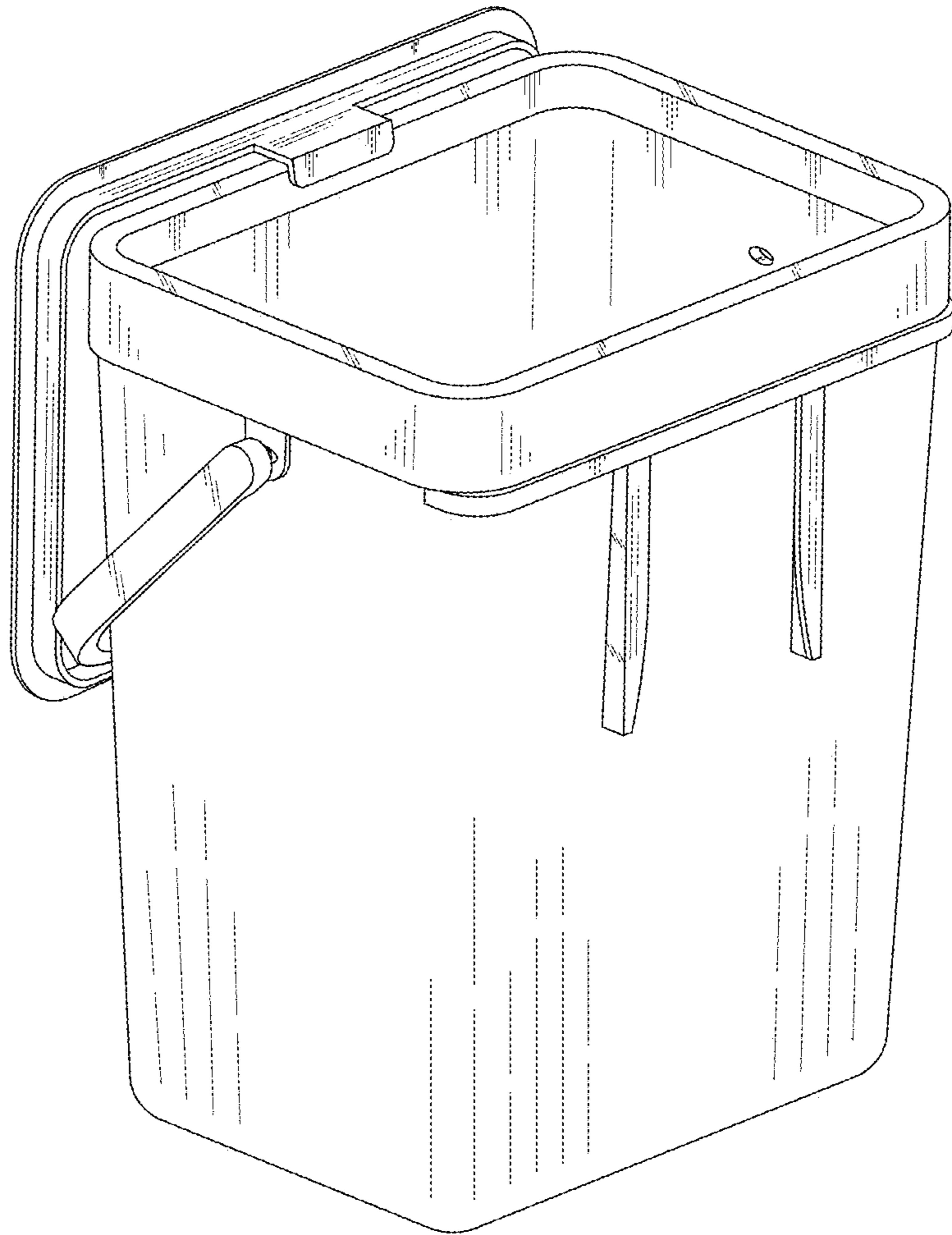


FIG.8

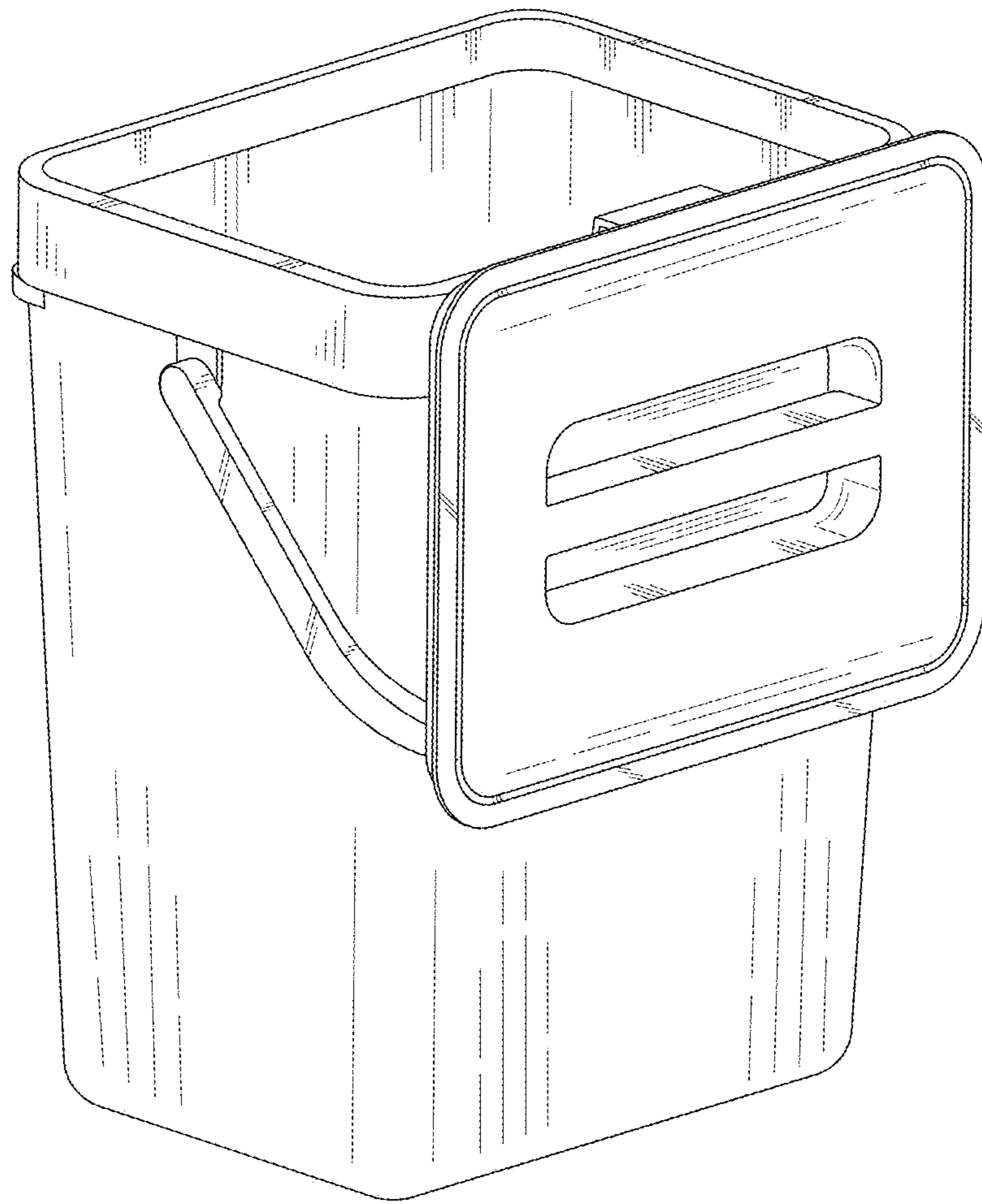


FIG.9

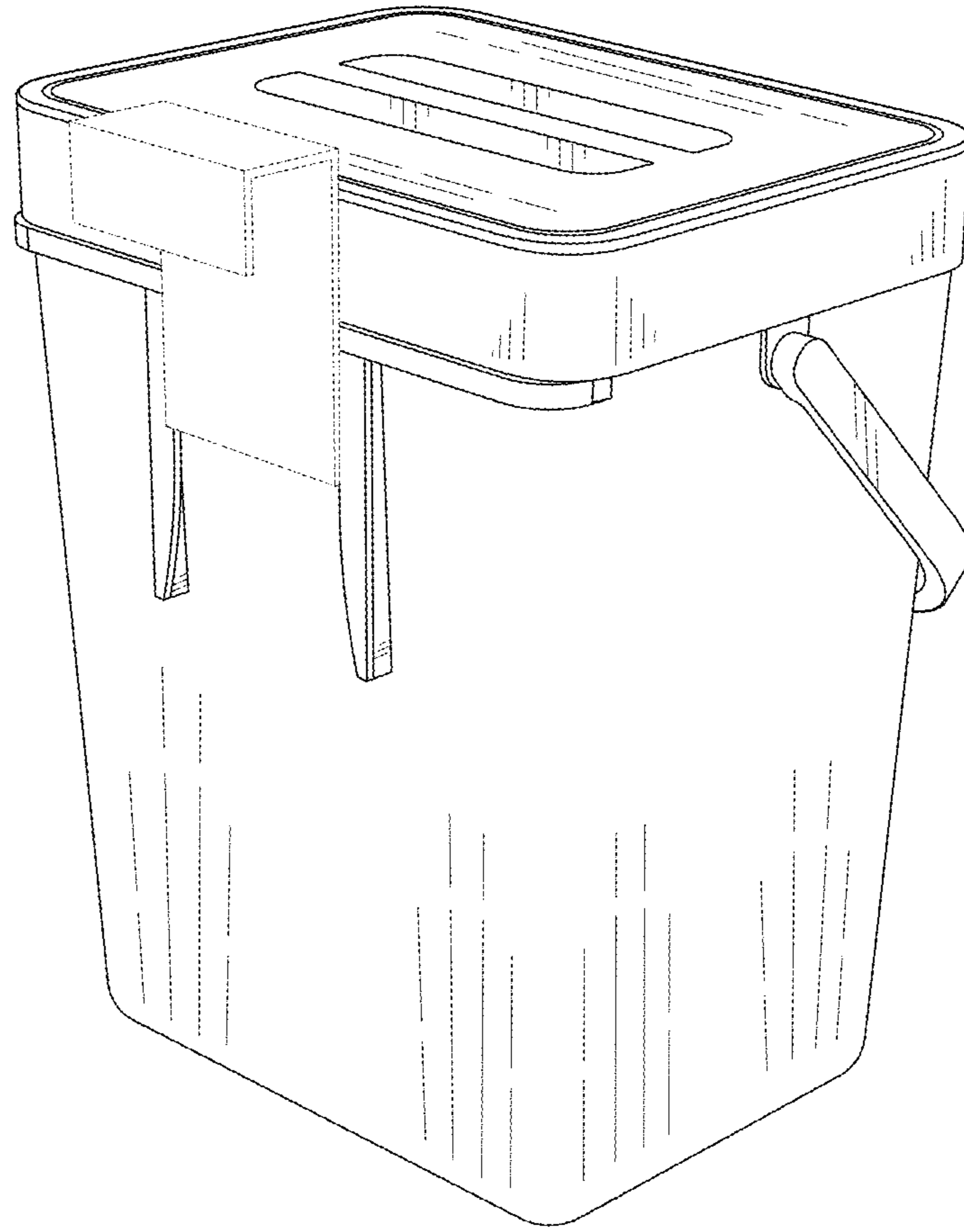


FIG. 10

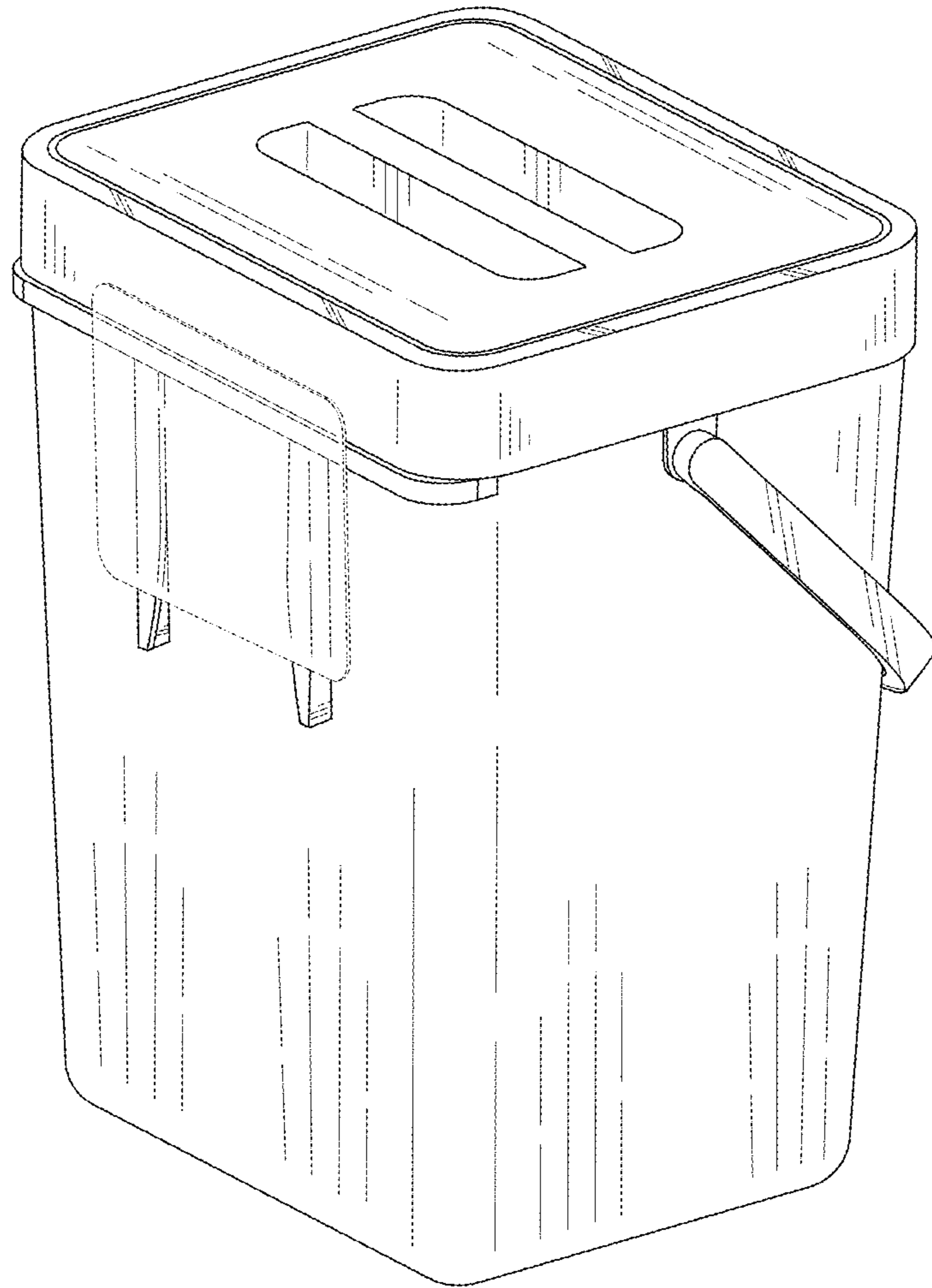


FIG. 11