



US00D938124S

(12) **United States Design Patent**  
**Bae et al.**

(10) **Patent No.:** **US D938,124 S**

(45) **Date of Patent:** **\*\* Dec. 7, 2021**

(54) **WATER CONTAINER FOR IRONING BOARD**

(71) Applicant: **LG ELECTRONICS INC.**, Seoul (KR)

(72) Inventors: **Jaeil Bae**, Seoul (KR); **Kyutae Park**, Seoul (KR); **Kyungah Lee**, Seoul (KR); **Hoil Jeon**, Seoul (KR); **Youngsoo Ha**, Seoul (KR)

(73) Assignee: **LG ELECTRONICS INC.**, Seoul (KR)

(\*\*) Term: **15 Years**

(21) Appl. No.: **29/725,626**

(22) Filed: **Feb. 26, 2020**

(30) **Foreign Application Priority Data**

Aug. 27, 2019 (KR) ..... 30-2019-0040962

(51) **LOC (13) Cl.** ..... **07-05**

(52) **U.S. Cl.**  
USPC ..... **D32/73**

(58) **Field of Classification Search**  
USPC ..... D32/73, 72, 71, 70, 69, 68, 35; 392/404; 38/97, 96, 93, 88, 77.9, 77.83, 77.82, 38/77.81, 77.8, 77.7, 77.6, 77.5, 77.3, 38/77.1; 219/251, 245  
CPC ..... D06F 75/34; D06F 75/08; D06F 75/38; D06F 75/00; F22B 27/14; B08B 3/006  
See application file for complete search history.

(56) **References Cited**

**U.S. PATENT DOCUMENTS**

2,387,724 A \* 10/1945 Elman ..... D06F 87/00  
392/404  
3,525,435 A \* 8/1970 Conner, Jr. .... A01K 63/045  
210/167.25

D274,731 S \* 7/1984 Girardi ..... D14/435  
D286,162 S \* 10/1986 Nibley ..... D14/435  
D314,460 S \* 2/1991 Paulin ..... D23/209  
D397,764 S \* 9/1998 Strand ..... D23/207  
D637,689 S \* 5/2011 Hong ..... D23/207  
D646,369 S \* 10/2011 Nelson ..... D23/365  
D743,651 S \* 11/2015 Hoffman ..... D32/25  
D927,114 S \* 8/2021 Bae ..... D32/73  
D927,115 S \* 8/2021 Park ..... D32/73

\* cited by examiner

*Primary Examiner* — Austin Murphy

(74) *Attorney, Agent, or Firm* — Birch, Stewart, Kolasch & Birch, LLP

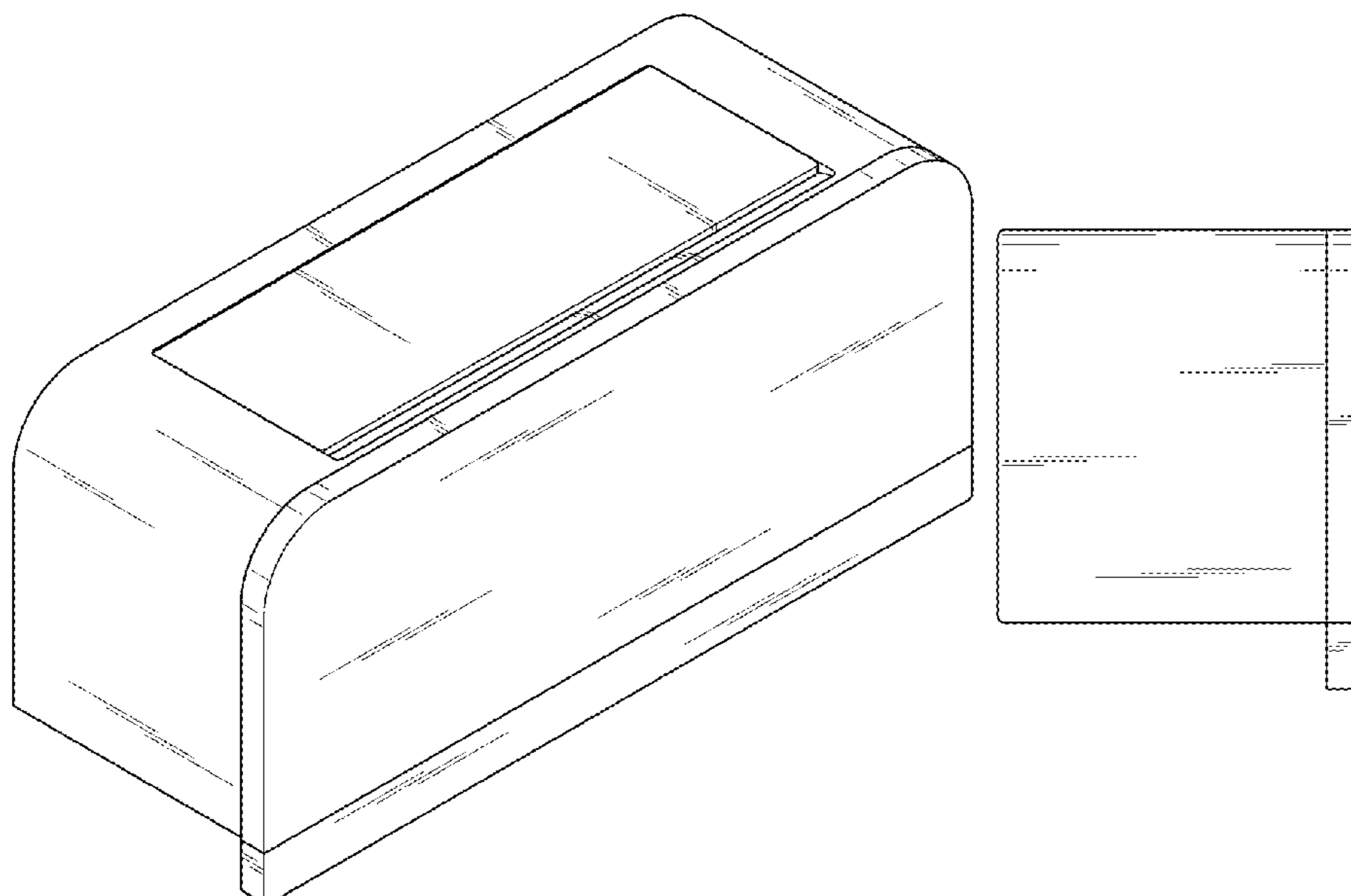
(57) **CLAIM**

We claim the ornamental design for a water container for ironing board, as shown and described.

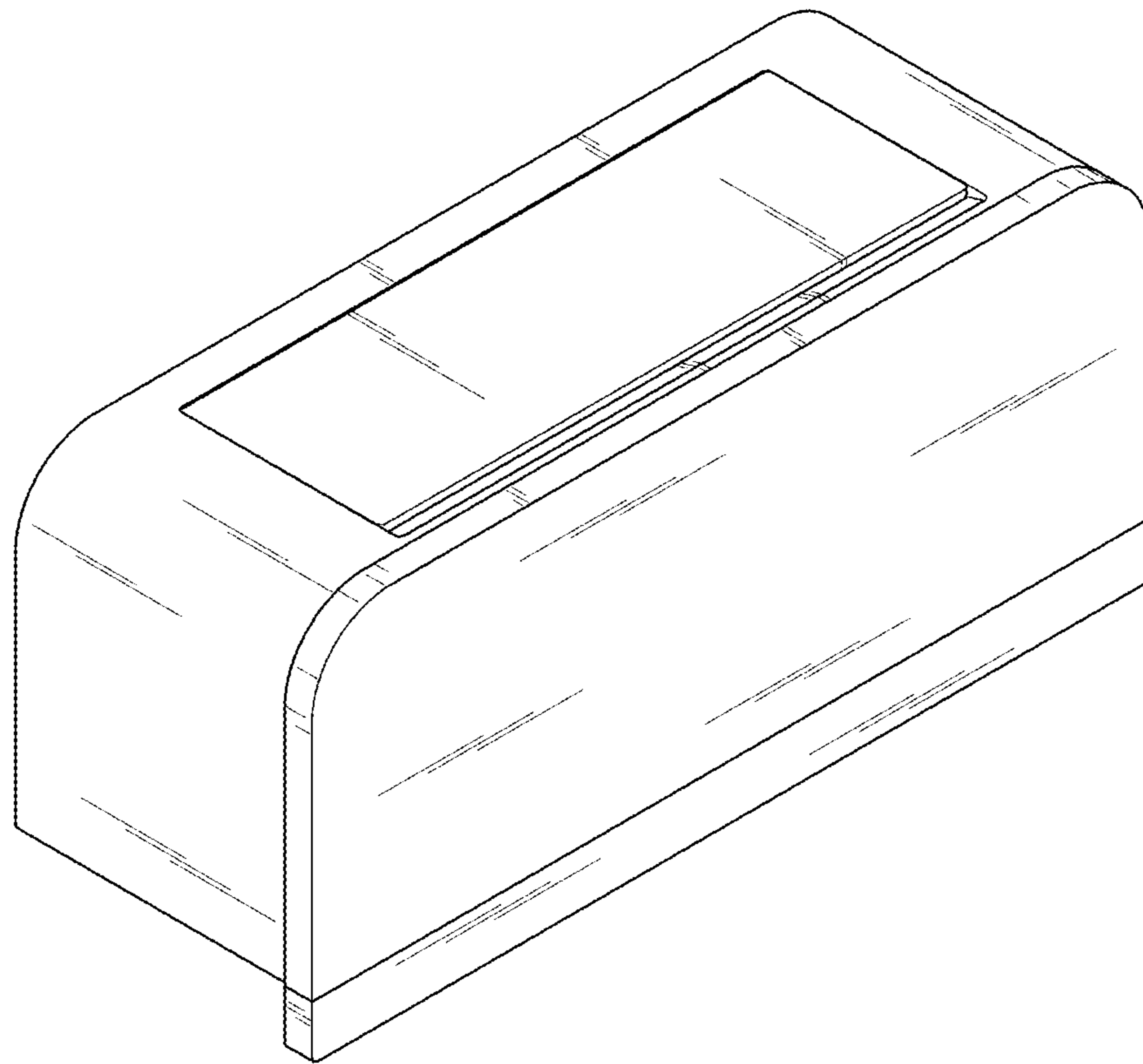
**DESCRIPTION**

FIG. 1 is a perspective view of a water container for ironing board showing the new design;  
FIG. 2 is a front elevation view thereof;  
FIG. 3 is a rear elevation view thereof;  
FIG. 4 is a left-side elevation view thereof;  
FIG. 5 is a right-side elevation view thereof;  
FIG. 6 is a top plan view thereof;  
FIG. 7 is a bottom plan view thereof; and,  
FIG. 8 is a perspective view showing a state of use thereof. Broken lines illustrate environmental condition only and form no part of the claimed design.

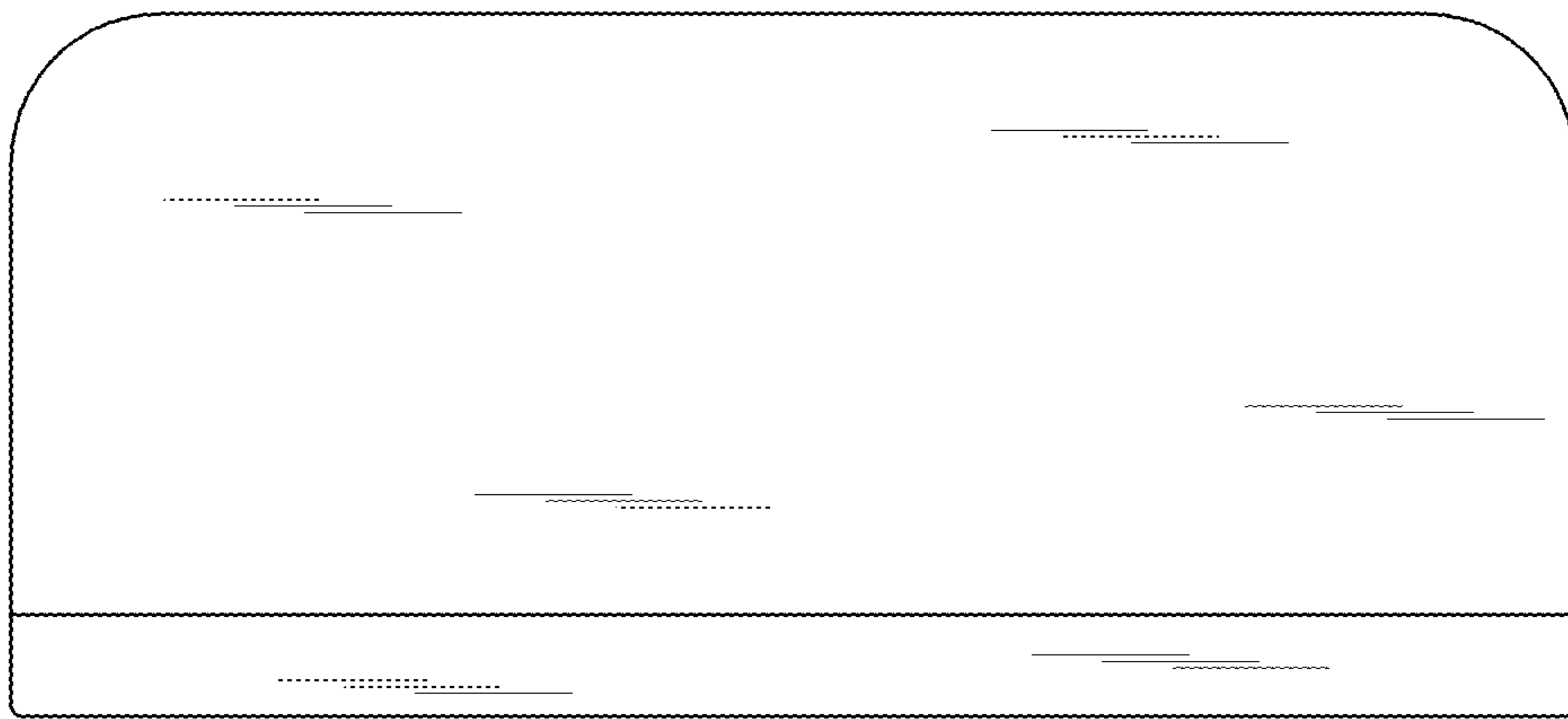
**1 Claim, 8 Drawing Sheets**



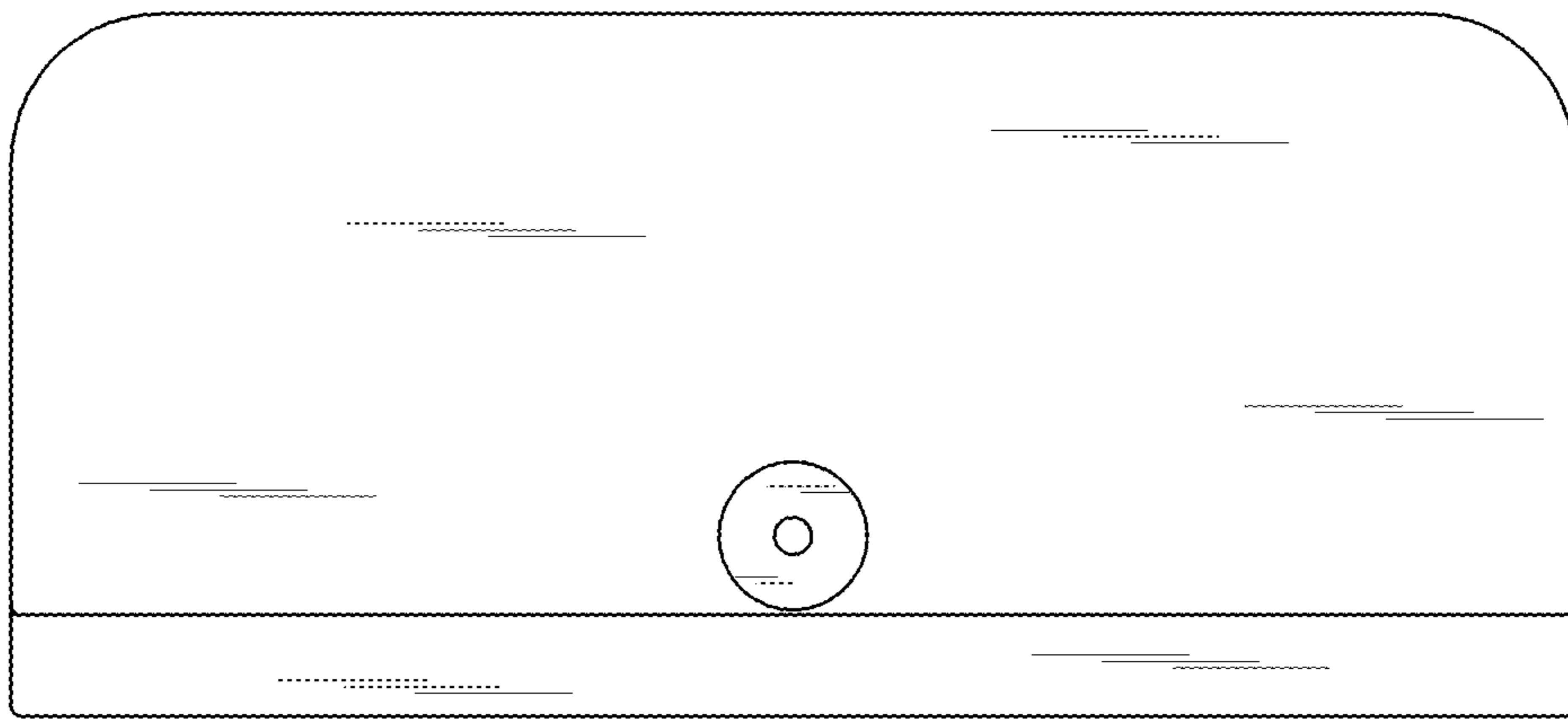
*FIG. 1*



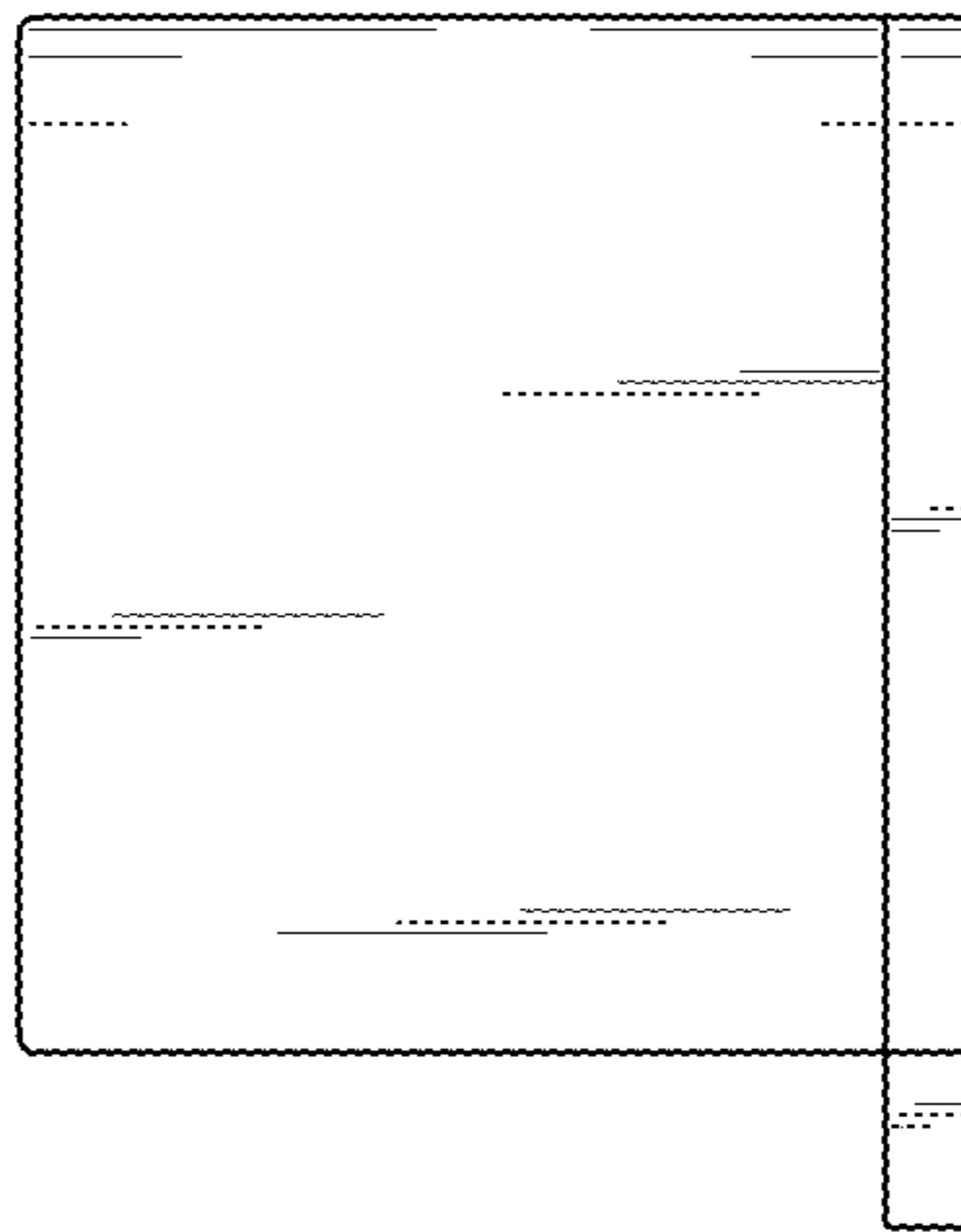
*FIG. 2*



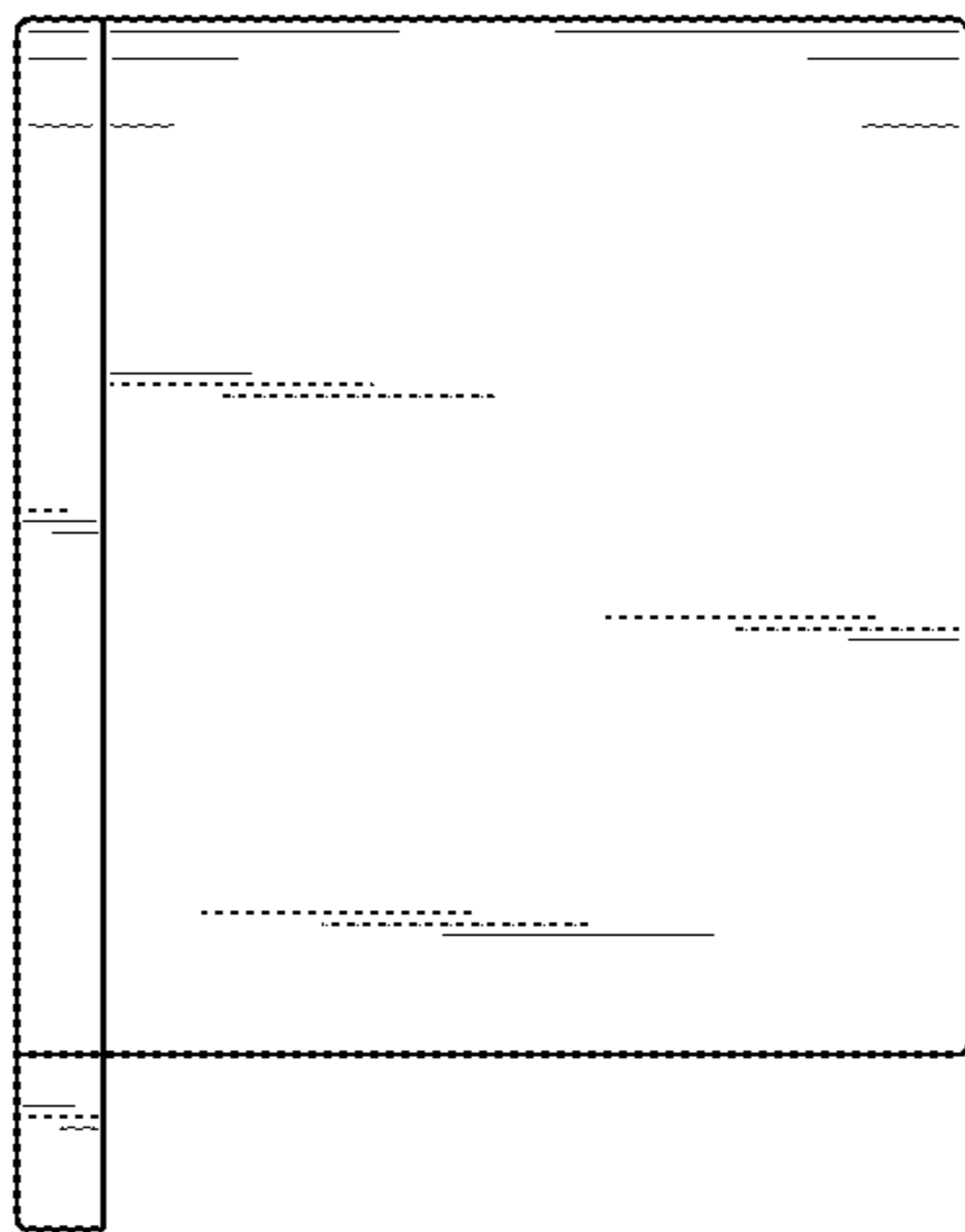
*FIG. 3*



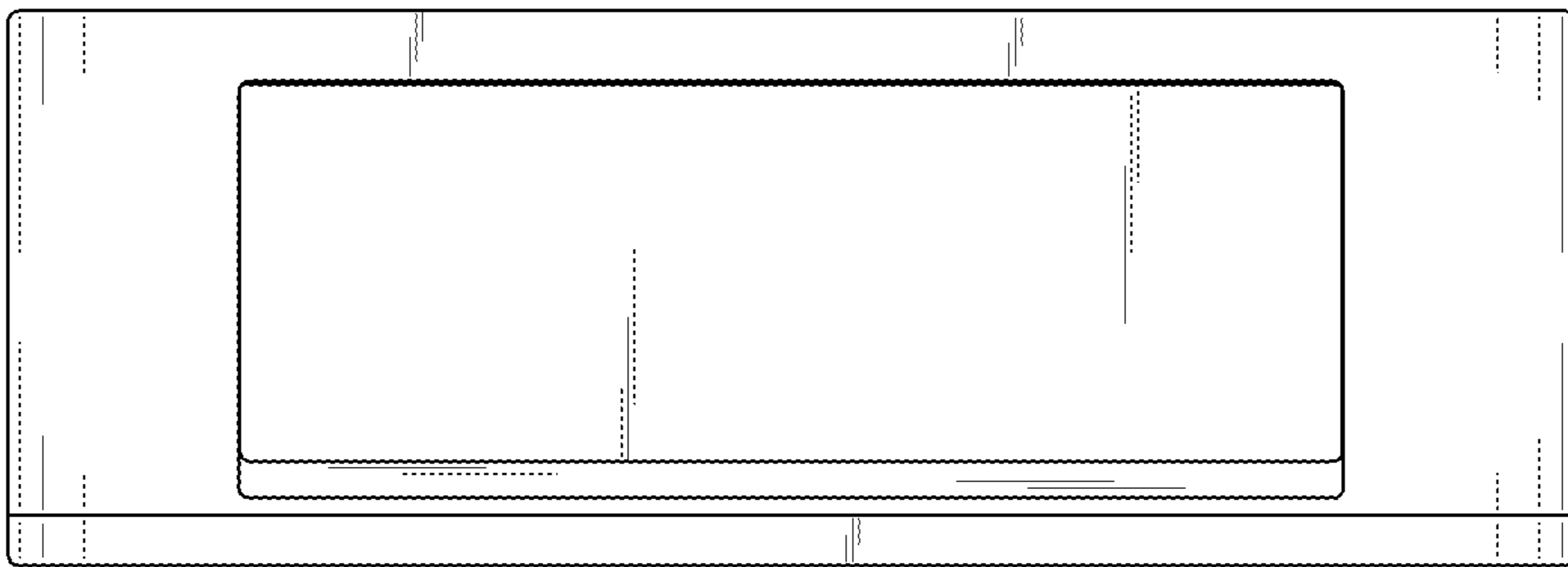
*FIG. 4*



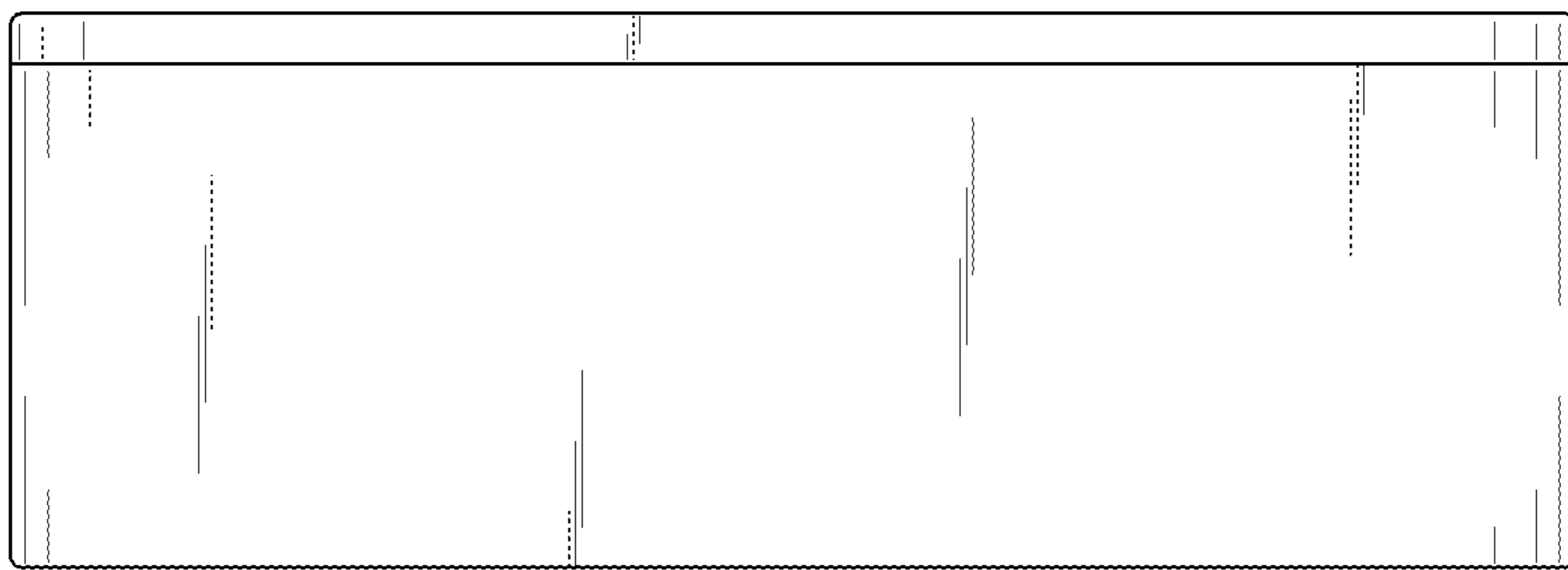
*FIG. 5*



*FIG. 6*



*FIG. 7*





*FIG. 8*

