

US00D938123S

(12) **United States Design Patent**
Bae et al.

(10) **Patent No.:** **US D938,123 S**
(45) **Date of Patent:** **** Dec. 7, 2021**

(54) **IRONING BOARD**

- (71) Applicant: **LG ELECTRONICS INC.**, Seoul (KR)
- (72) Inventors: **Jaeil Bae**, Seoul (KR); **Hoil Jeon**, Seoul (KR); **Youngsoo Ha**, Seoul (KR); **Kyungah Lee**, Seoul (KR); **Kyutae Park**, Seoul (KR)
- (73) Assignee: **LG Electronics Inc.**, Seoul (KR)
- (**) Term: **15 Years**
- (21) Appl. No.: **29/752,916**
- (22) Filed: **Sep. 29, 2020**

(30) **Foreign Application Priority Data**

Apr. 17, 2020 (KR) 30-2020-0017179

(51) **LOC (13) Cl.** **07-05**

(52) **U.S. Cl.**
USPC **D32/66**

(58) **Field of Classification Search**
USPC D32/6, 9, 12, 35, 66, 67; D21/526;
D6/406.3, 559, 663, 668, 691.1, 691.3,
D6/691.4, 691.6; D14/457, 459, 460, 461
CPC A47B 39/06; A47B 46/00; A47B 61/02;
A47B 63/04; A47B 77/10; A47B 77/16;
D06F 81/00; D06F 81/003; D06F 81/006;
(Continued)

(56) **References Cited**

U.S. PATENT DOCUMENTS

D19,852 S * 5/1890 Hicks D32/66
D20,694 S * 4/1891 Day D32/66
(Continued)

FOREIGN PATENT DOCUMENTS

CN 3490017 * 12/2005
CN 300709904 * 11/2007
(Continued)

OTHER PUBLICATIONS

10 Best Ironing Boards to Buy in 2021, available in www.goodhousekeeping.com, announced May 24, 2021 [online], [site visited Nov. 16, 2020], Internet URL: https://www.goodhousekeeping.com/home-products/g36343446/best-ironing-board/ (Year: 2021).*

(Continued)

Primary Examiner — Dana K Weiland

Assistant Examiner — Jennylou M Binas

(74) *Attorney, Agent, or Firm* — Birch, Stewart, Kolasch & Birch, LLP

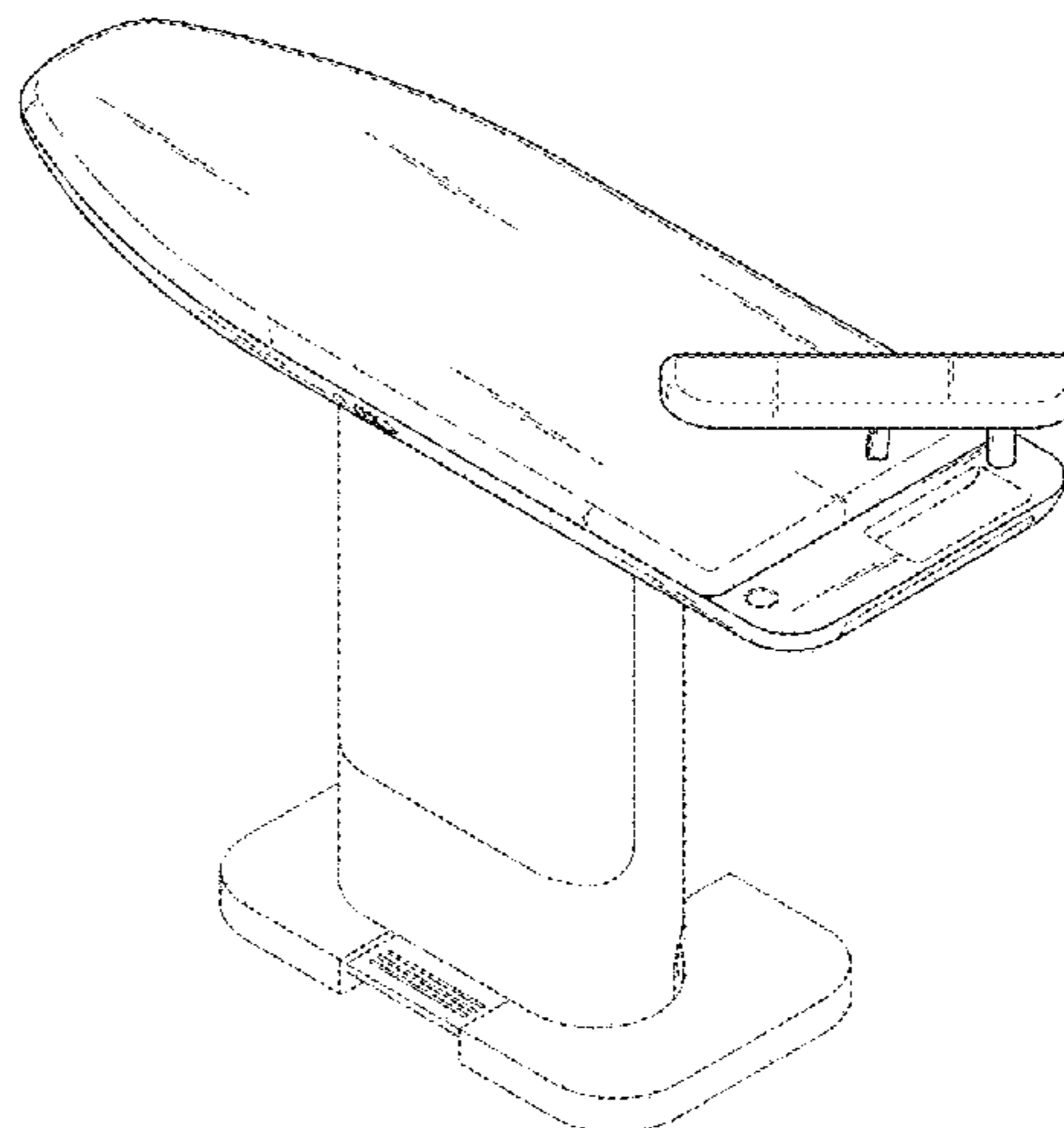
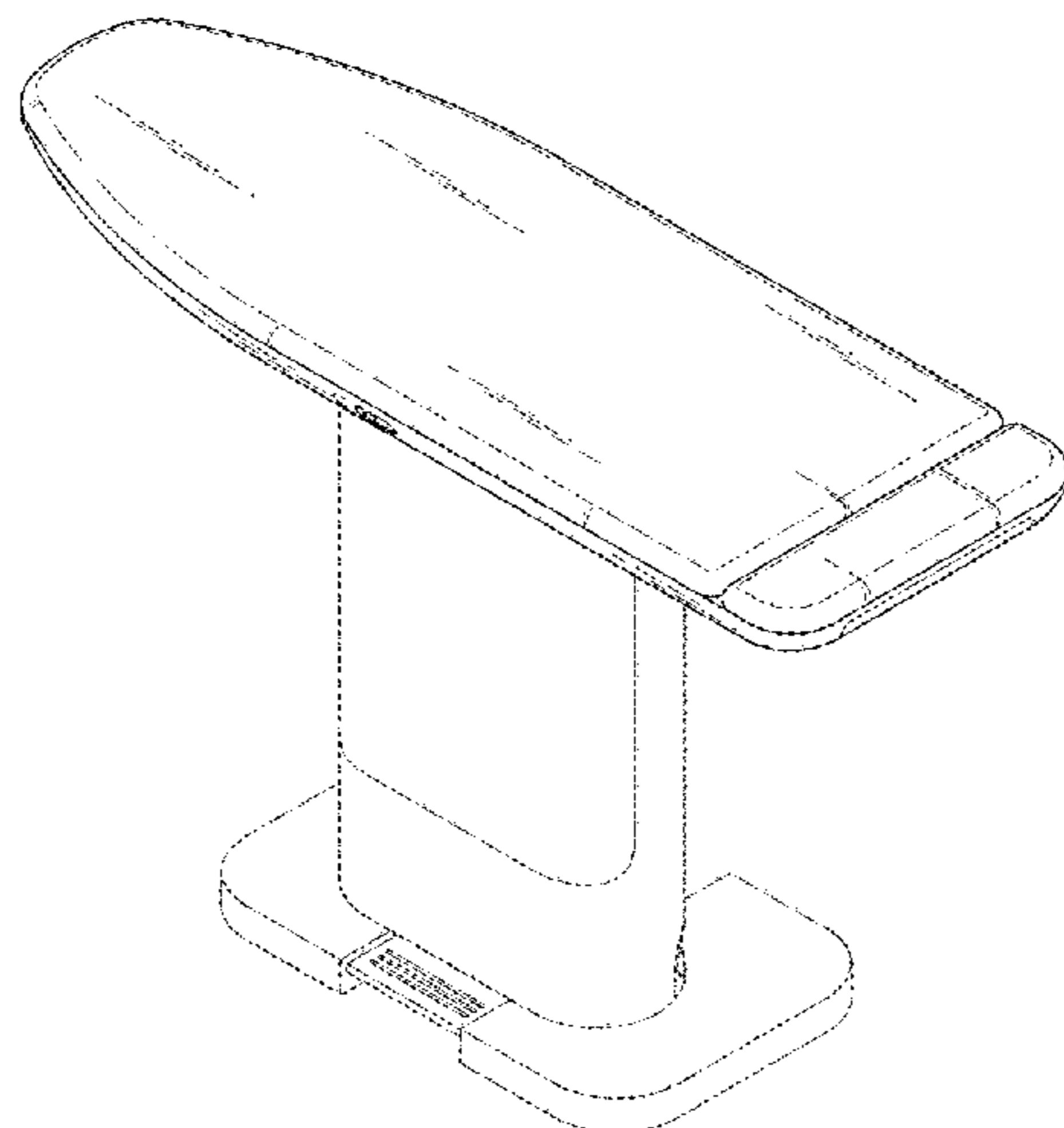
(57) **CLAIM**

We claim the ornamental design for an ironing board, as shown and described.

DESCRIPTION

FIG. 1 is a perspective view of an ironing board showing the new design;
FIG. 2 is a front elevation view thereof;
FIG. 3 is a rear elevation view thereof;
FIG. 4 is a left-side elevation view thereof;
FIG. 5 is a right-side elevation view thereof;
FIG. 6 is a top plan view thereof;
FIG. 7 is a bottom plan view thereof;
FIG. 8 is a perspective view of the ironing board showing an alternate configuration with the sleeve board unfolded;
FIG. 9 is a front elevation view thereof;
FIG. 10 is a rear elevation view thereof;
FIG. 11 is a left-side elevation view thereof;
FIG. 12 is a right-side elevation view thereof;
FIG. 13 is a top plan view thereof; and,
FIG. 14 is a bottom plan view thereof.
The broken line represent portion of the ironing board that form no part of the claimed design.

1 Claim, 14 Drawing Sheets



(58) **Field of Classification Search**

CPC D06F 81/02; D06F 81/04; D06F 81/06;
 D06F 81/08; D06F 81/12; D06F 83/00;
 Y10S 38/00; Y10S 38/01; Y10S 38/02;
 Y10S 38/03; Y10T 292/305

See application file for complete search history.

D514,766 S * 2/2006 Manfrotto D32/66
 D520,207 S * 5/2006 Gross D32/66
 D532,220 S * 11/2006 Domack D6/687
 D543,672 S * 5/2007 Chu D32/66
 D546,515 S * 7/2007 Wicky D32/66
 D608,515 S * 1/2010 Park D32/66
 7,707,756 B1 * 5/2010 Dinkins D06F 81/12
 38/135
 D704,912 S * 5/2014 Gameiro D32/66
 D858,022 S * 8/2019 Wang D32/66

(56) **References Cited**

U.S. PATENT DOCUMENTS

D28,202 S * 1/1898 Dana D32/66
 D28,612 S * 5/1898 Rowse et al. D32/66
 D30,286 S * 2/1899 Boesel D32/66
 D31,719 S * 10/1899 Powell D32/66
 998,988 A * 7/1911 Reynolds A47B 13/081
 108/62
 1,027,479 A * 5/1912 Hoffine A47B 13/16
 108/26
 1,063,685 A * 6/1913 Hoffine D06F 81/006
 38/111
 1,100,774 A * 6/1914 Petersen A47B 3/00
 108/99
 1,154,726 A * 9/1915 Ramlow D06F 83/00
 38/140
 D124,329 S * 12/1940 Parker D32/66
 D142,261 S * 8/1945 Meyerhoefer D32/66
 D159,952 S * 9/1950 Buser D32/66
 2,523,425 A * 9/1950 Gargaglione A47B 77/10
 108/13
 2,554,344 A * 5/1951 Pattison D06F 83/00
 38/140
 D182,902 S * 5/1958 Kempf D32/66
 D183,468 S * 9/1958 Turner D32/66
 2,888,760 A * 6/1959 Shaffer D06F 81/12
 38/136
 D189,832 S * 2/1961 Farmer D32/66
 D272,008 S * 12/1983 Flory D32/66
 4,910,896 A * 3/1990 Ruschitzka D06F 81/04
 248/188.1
 D373,869 S * 9/1996 Stutzer D32/66
 D413,699 S * 9/1999 Evans D32/37
 D426,040 S * 5/2000 Wicky D32/66
 D426,590 S * 6/2000 Lan D21/526
 D434,541 S * 11/2000 Black D32/66

FOREIGN PATENT DOCUMENTS

CN 303735328 * 7/2016
 GB 2069748 * 2/1998
 JP D1569944 * 2/2017
 JP D1569945 * 2/2017
 KR 301125778.0000 * 9/2021
 KR 301125779.0000 * 9/2021
 RU 00121940 * 10/2020
 RU 00125415 * 5/2021
 RU D206925-001 * 8/2021
 WO D206438-001 * 8/2021
 WO D206841-001 * 8/2021
 WO D207412-001 * 8/2021

OTHER PUBLICATIONS

Ironing board: 30 clever helpers, announced in YouTube on May 27, 2015 [online], [site visited Sep. 22, 2021], Available from the internet URL: <https://www.youtube.com/watch?v=CEO-TPqKQv4> (Year: 2015).*

KAPAS Adjustable Garment Steamer, available in freestuff.cafe, announced May 5, 2021[online], [site visited Sep. 9, 2021], URL: <https://freestuff.cafe/deals/kapas-adjustable-garment-steamer-accessories-for-clothes-build-in-rotatable-ironing-board-211-water-tank-8-ironing-options-for-different-clothes/> (Year: 2021).*

Miele B3847 Fashionmaster Ironing System, date 1st available Mar. 9, 2017[online],[site visited Sep. 9, 2021], Available from the internet URL: https://www.amazon.ca/Miele-B3847-Fashionmaster-Ironing-System/dp/B01N705TG5/ref=sr_1_1?dchild=1&keywords=Miele+FashionMaster+Ironing+System&qid=1631218268&sr=8-1 (Year: 2017).*

* cited by examiner

FIG. 1

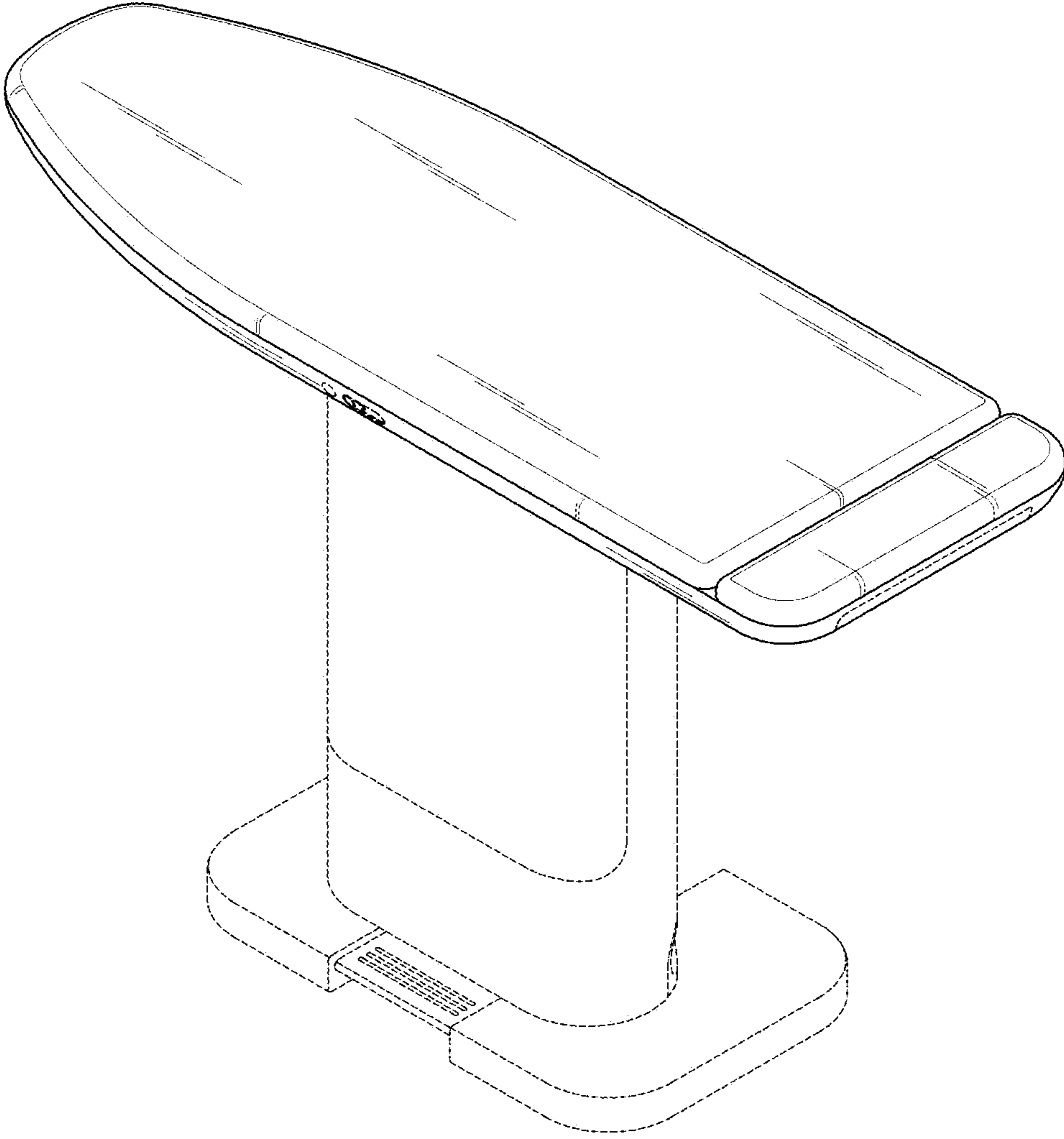


FIG. 2

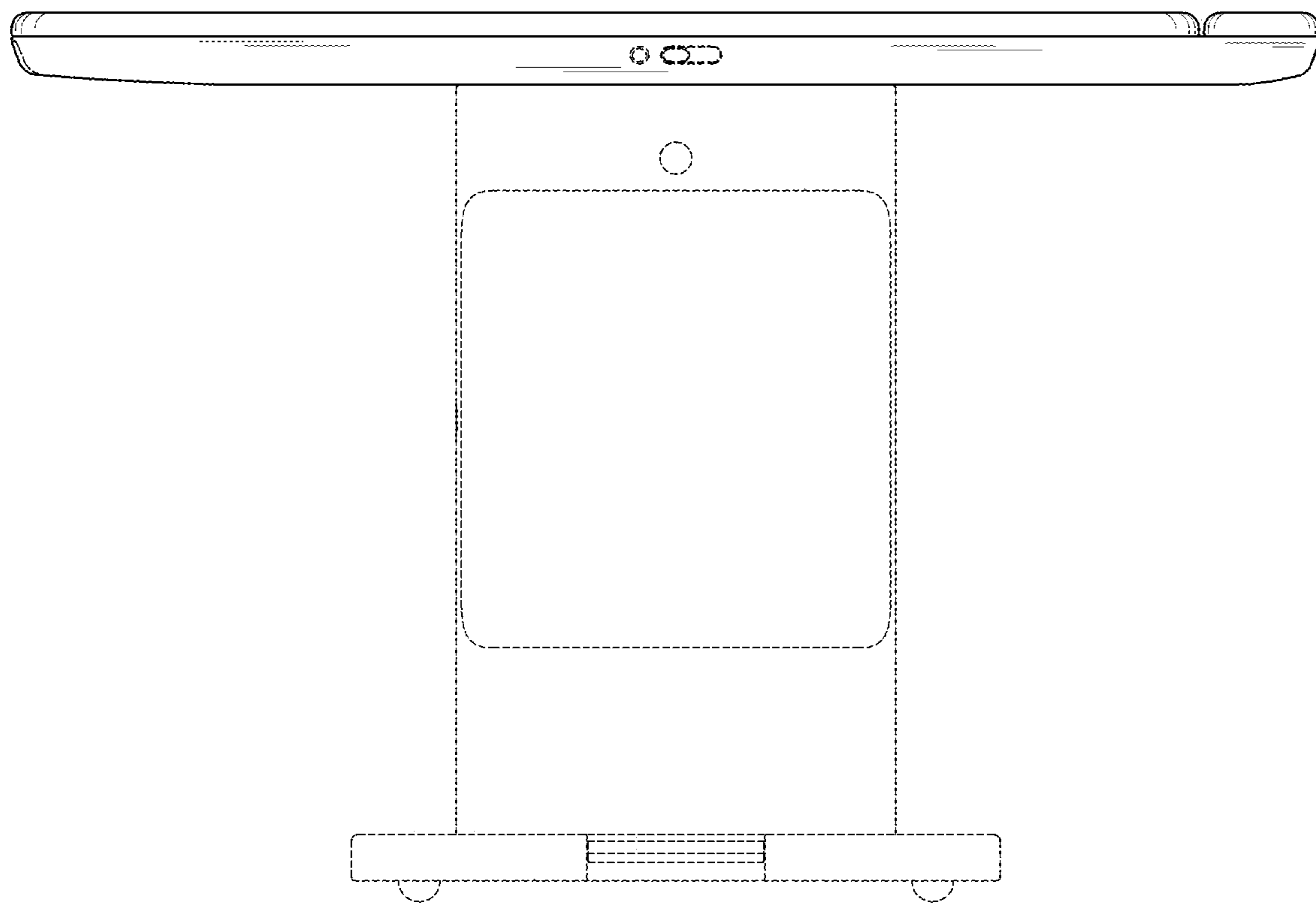


FIG. 3

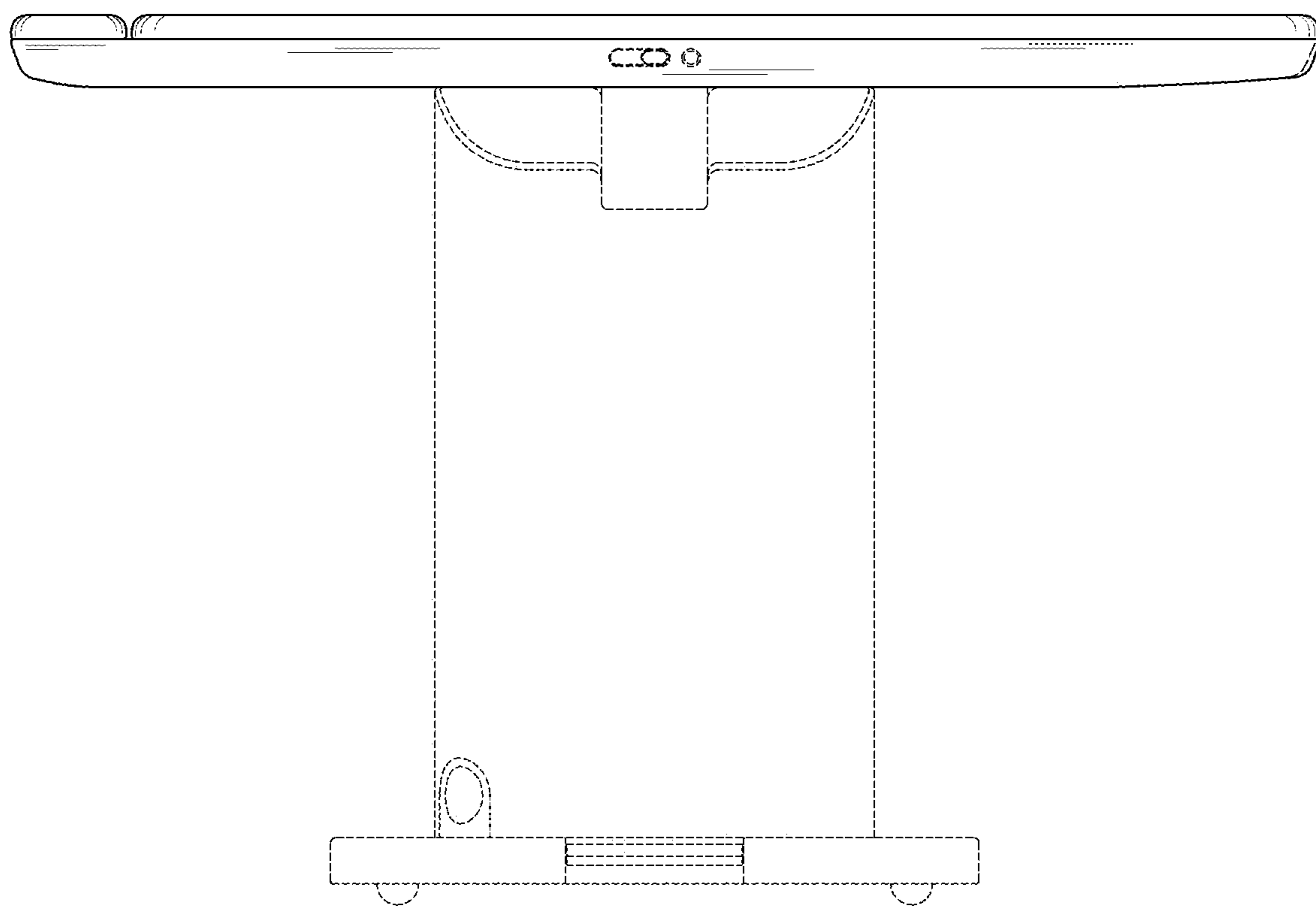


FIG. 4

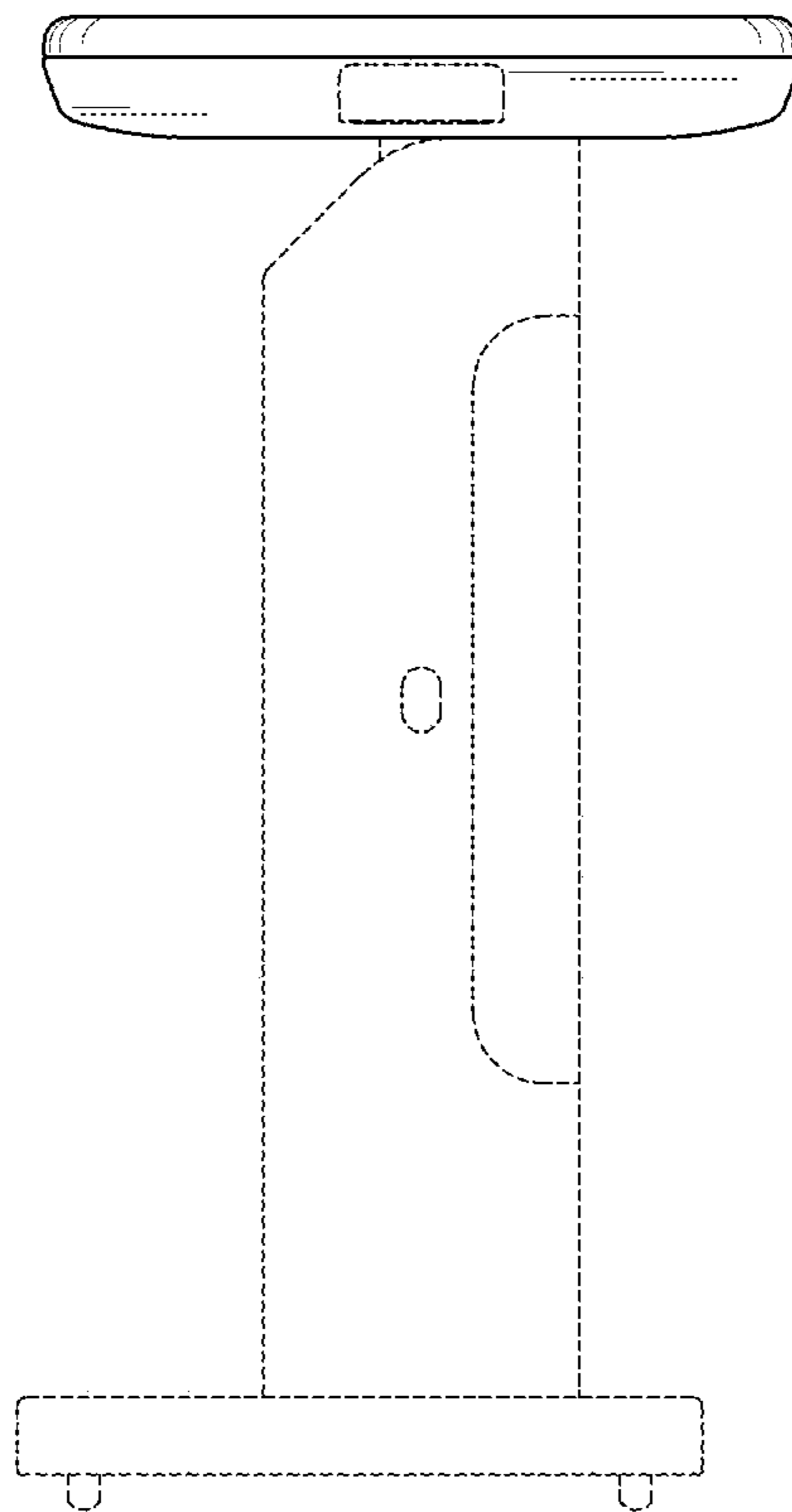


FIG. 5

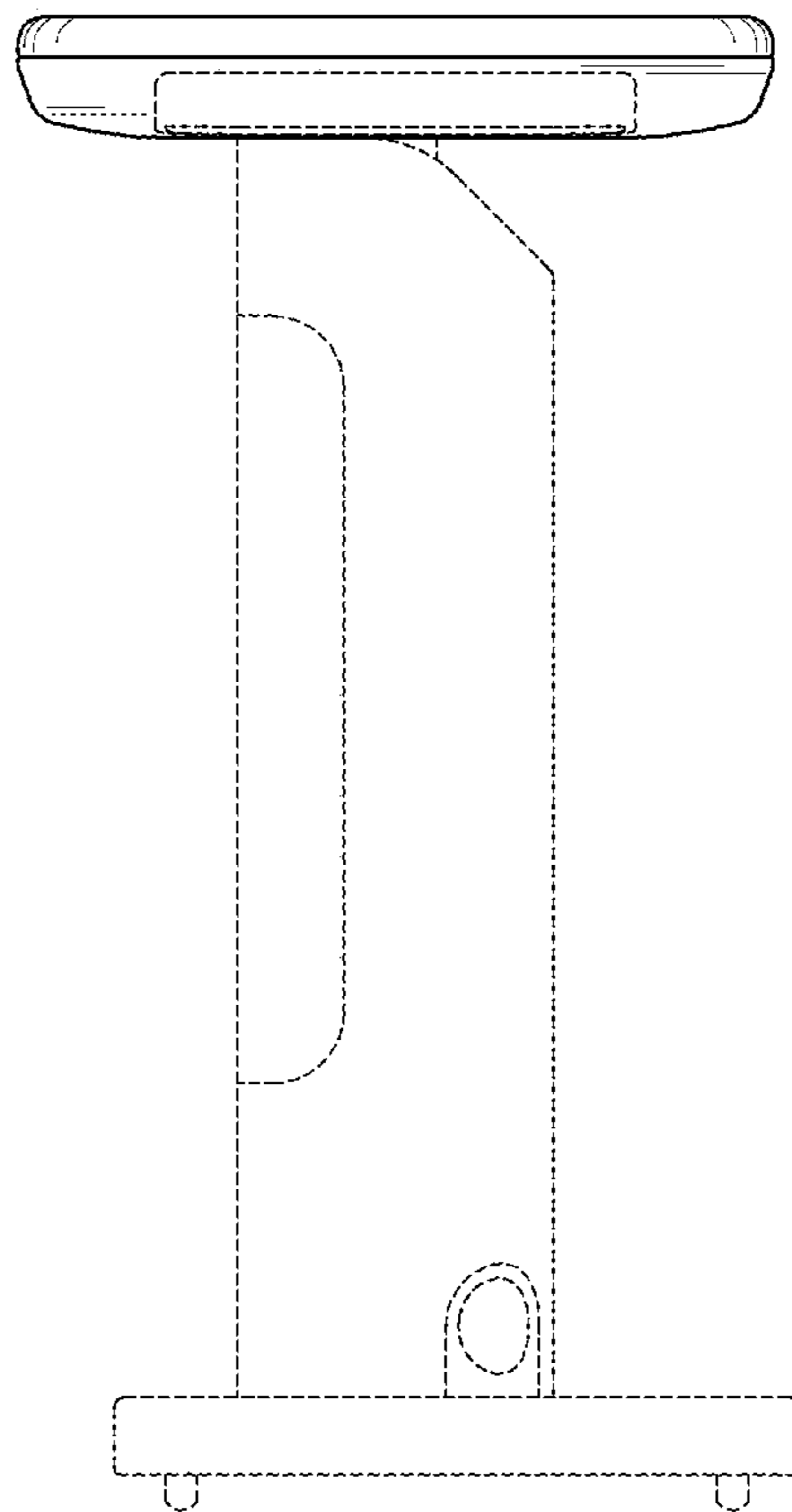


FIG. 6

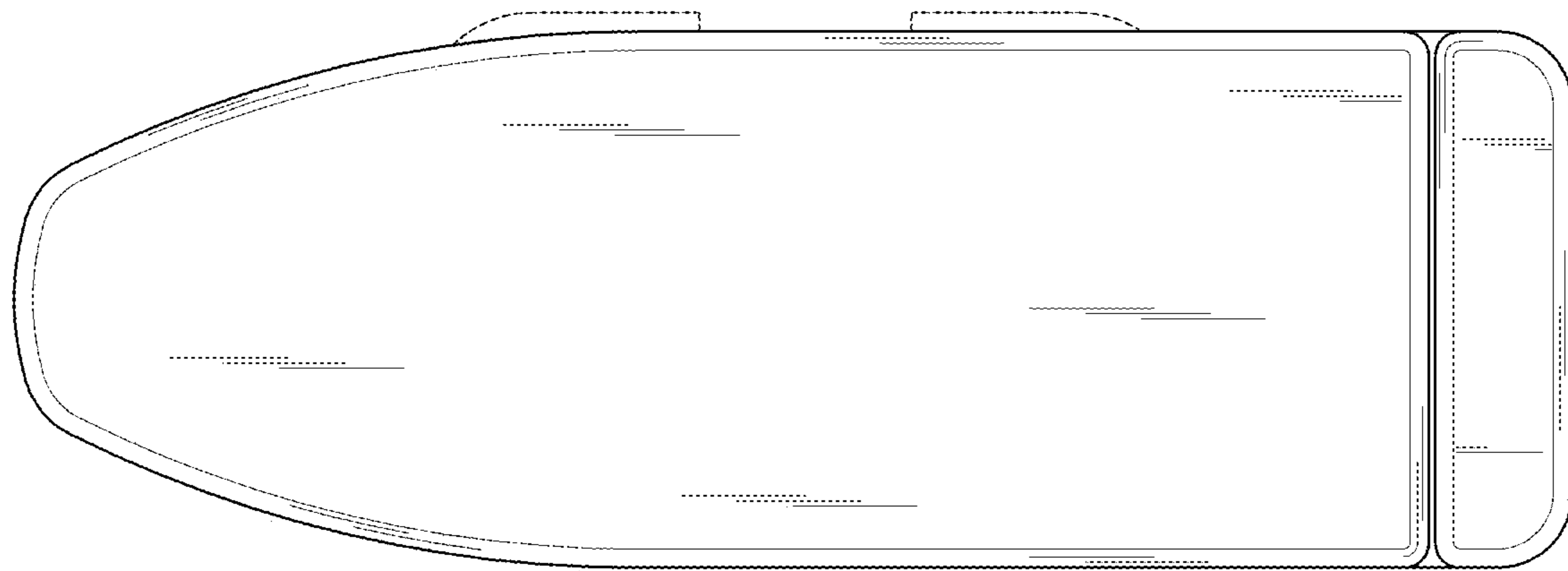


FIG. 7

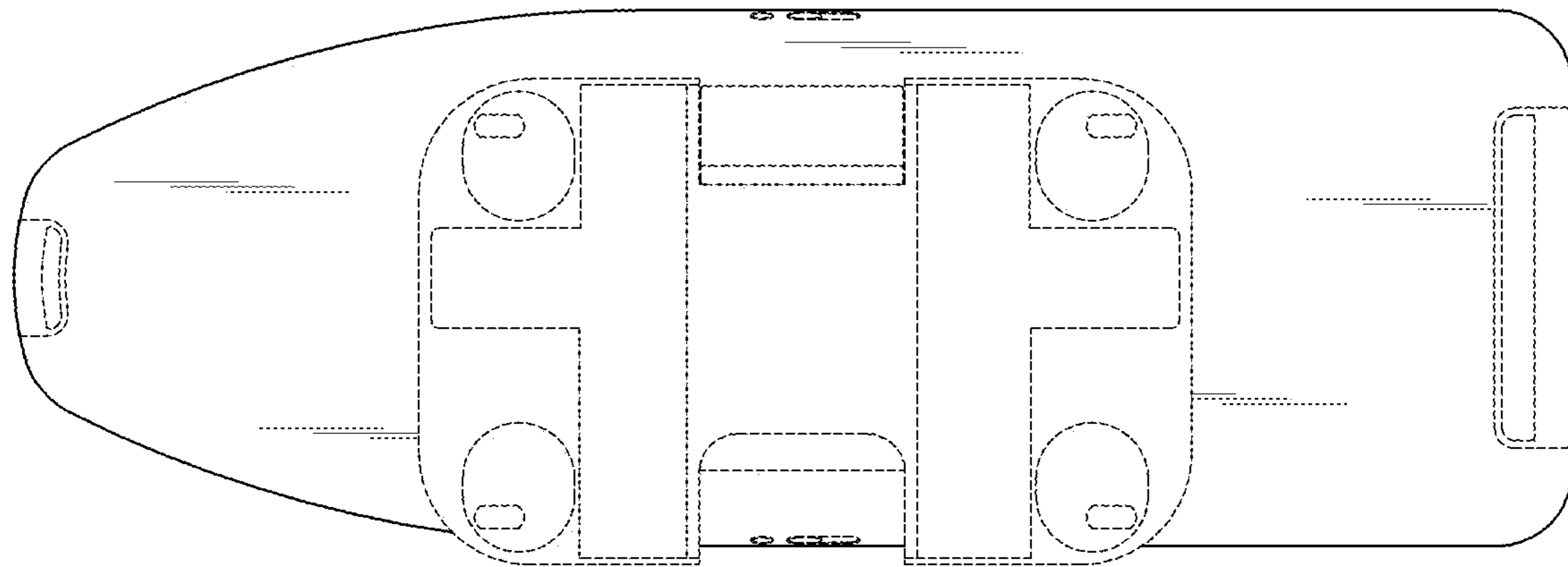


FIG. 8

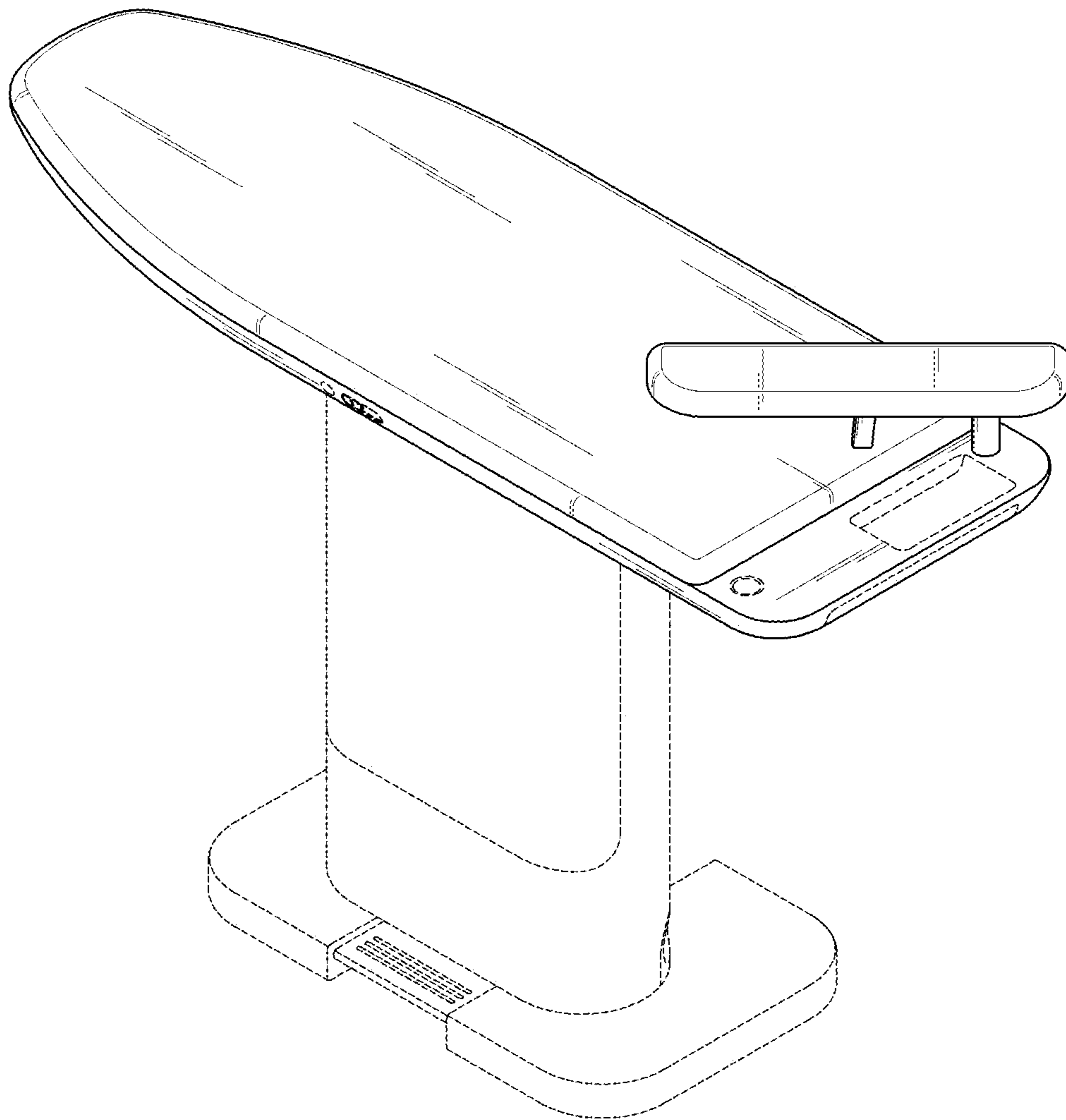


FIG. 9

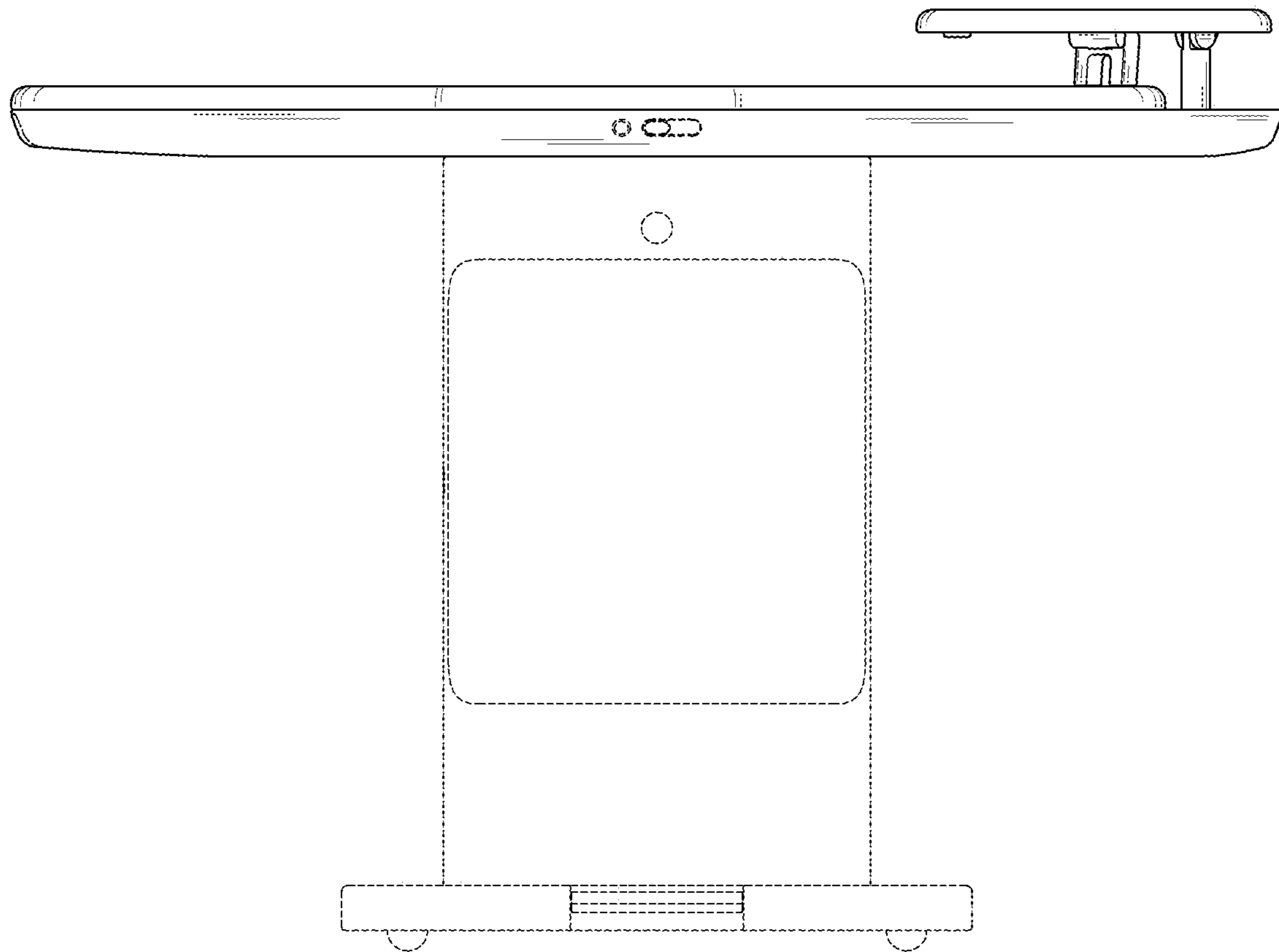


FIG. 10

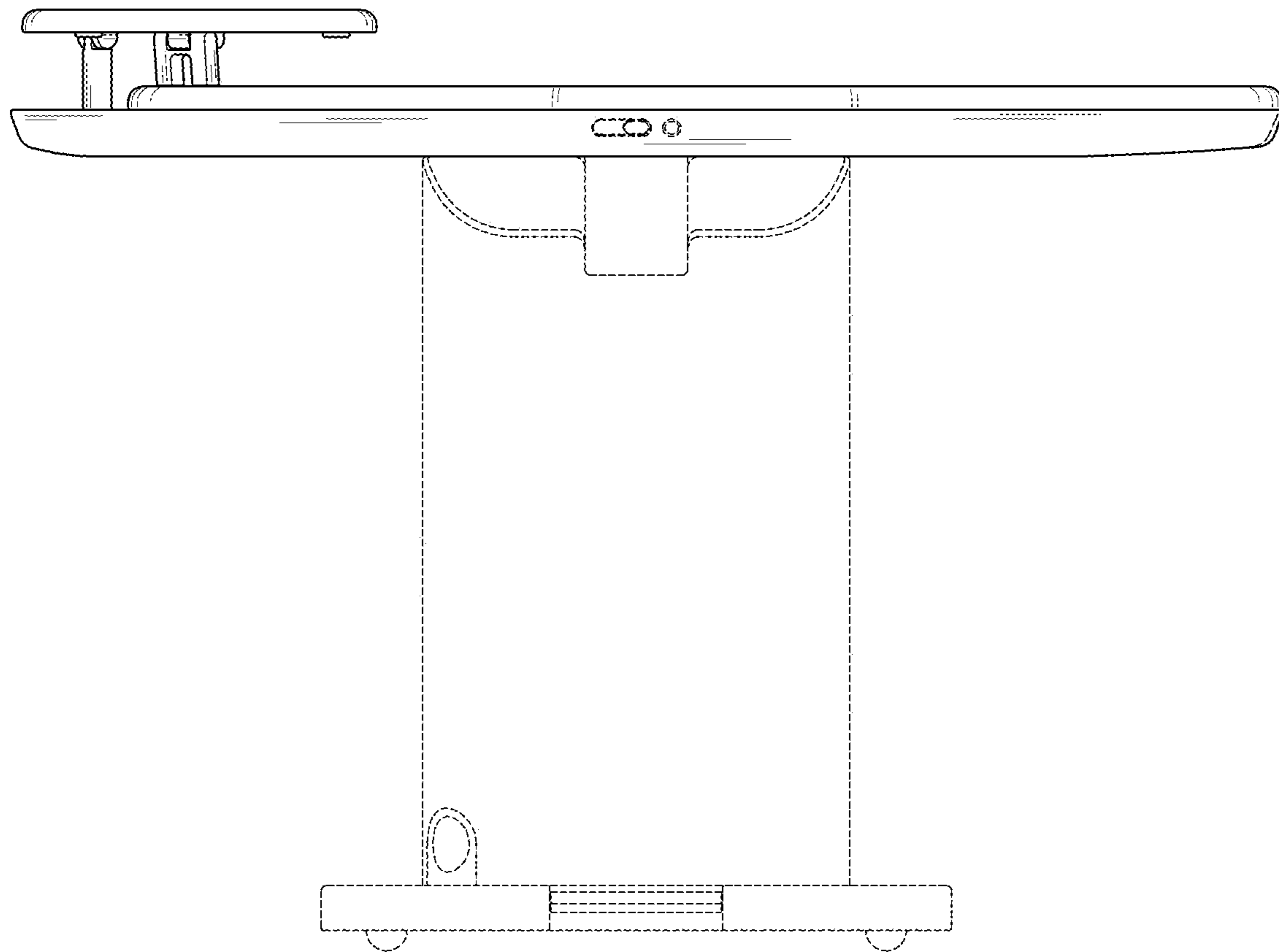


FIG. 11

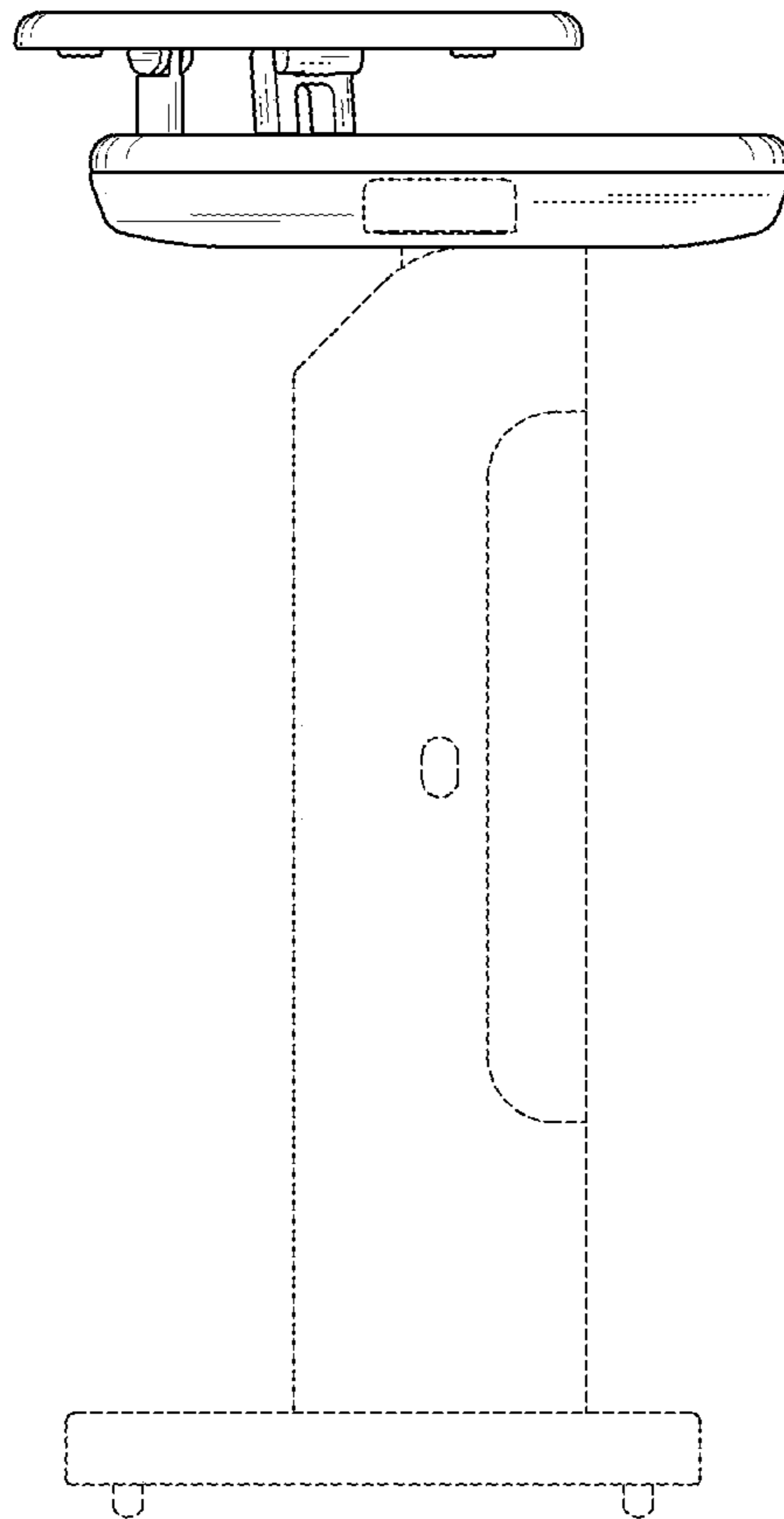


FIG. 12

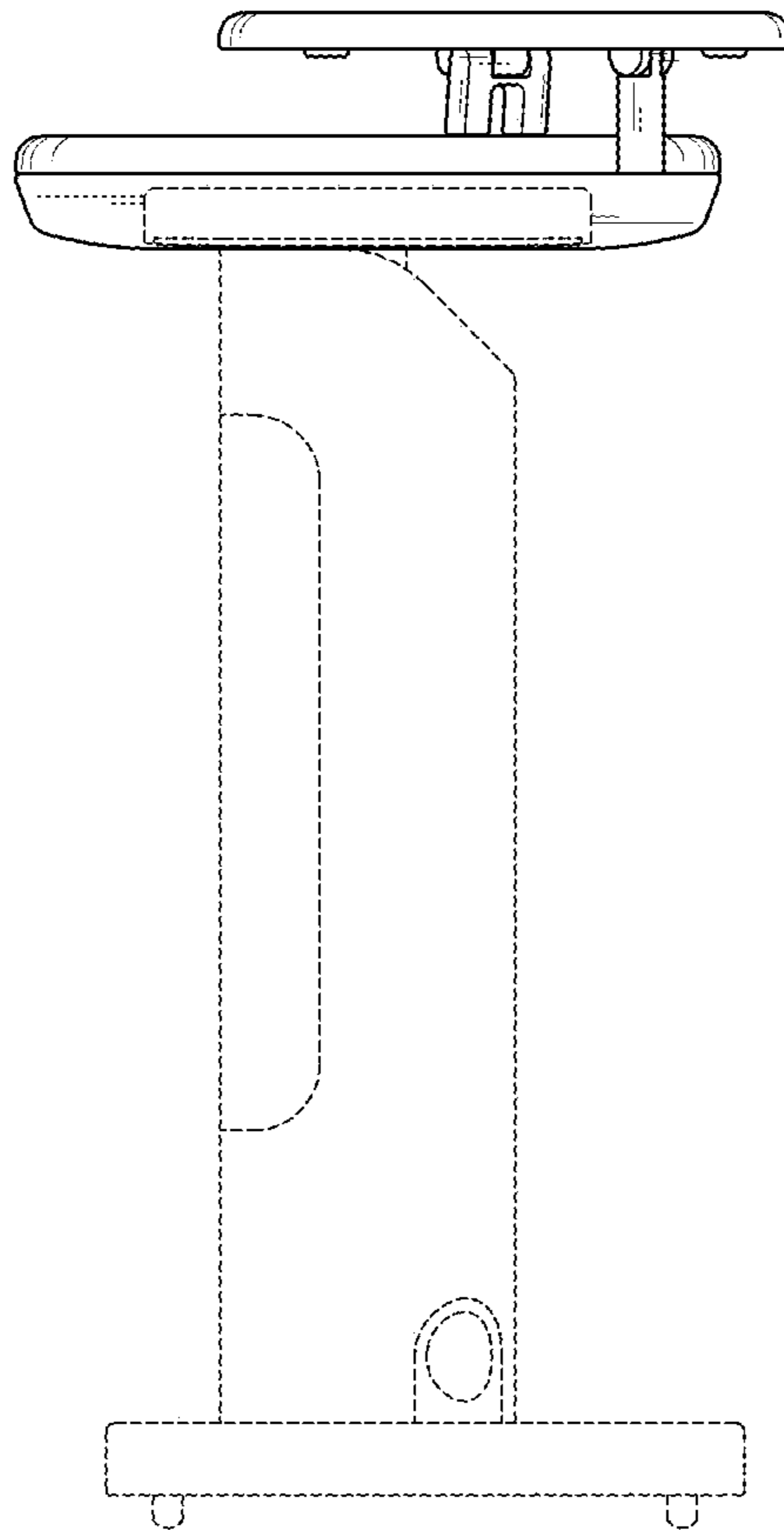


FIG. 13

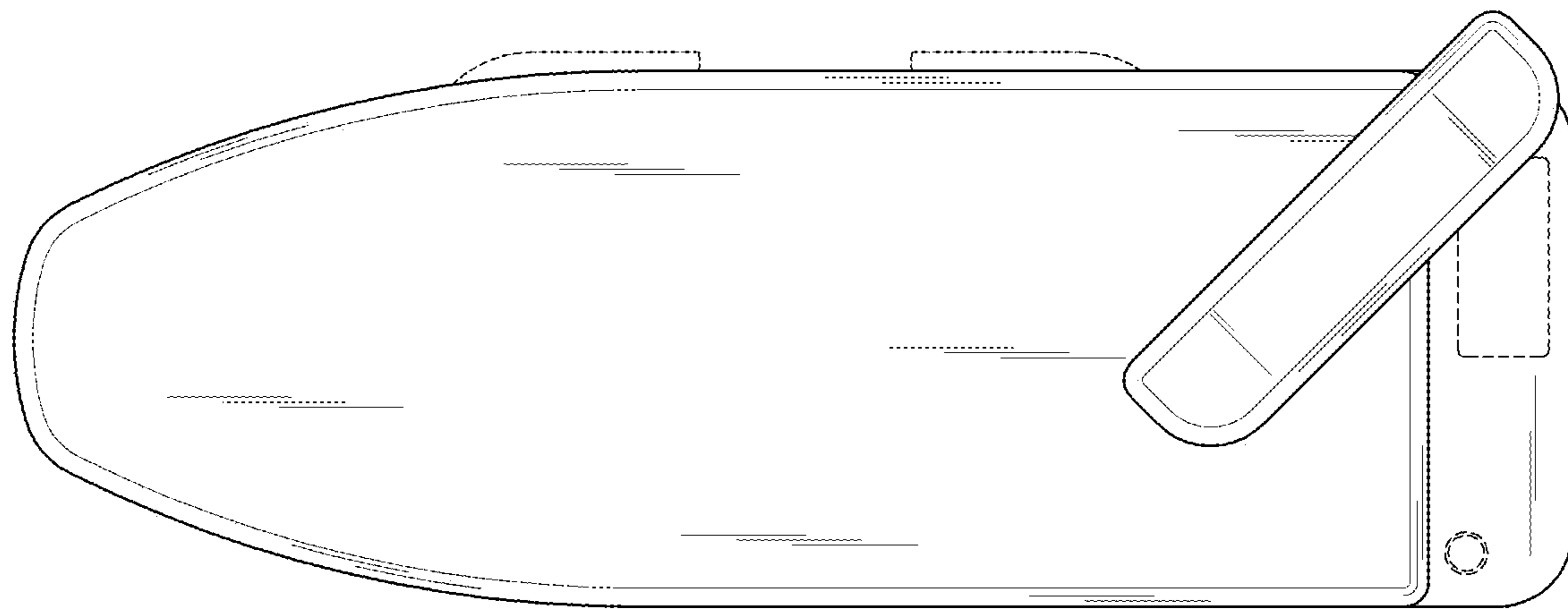


FIG. 14

