



US00D938122S

(12) **United States Design Patent** (10) **Patent No.:** **US D938,122 S**  
**Chen** (45) **Date of Patent:** **\*\* Dec. 7, 2021**

(54) **DISH AND UTENSIL DRYING RACK**

D894,511 S \* 8/2020 Peng ..... D32/55  
D897,622 S \* 9/2020 Klug ..... D32/57  
D904,709 S \* 12/2020 Gee, II ..... D32/57  
D904,710 S \* 12/2020 Gee, II ..... D32/57

(71) Applicant: **Lan Chen**, New York, NY (US)

(72) Inventor: **Lan Chen**, New York, NY (US)

\* cited by examiner

(73) Assignee: **Best Brands Consumer Products, Inc.**,  
Merrick, NY (US)

*Primary Examiner* — Austin Murphy  
(74) *Attorney, Agent, or Firm* — Goldberg Cohen LLP

(\*\*) Term: **15 Years**

(57) **CLAIM**

(21) Appl. No.: **29/711,395**

I claim the ornamental design for a dish and utensil drying rack, as shown and described.

(22) Filed: **Oct. 30, 2019**

**DESCRIPTION**

(51) **LOC (13) Cl.** ..... **07-05**

(52) **U.S. Cl.**  
USPC ..... **D32/55**

(58) **Field of Classification Search**  
USPC ..... D32/55, 276, 3; D6/510, 525; D30/133;  
211/41.5, 41.4, 41.3, 41.8; 361/679.4;  
312/311, 333, 334.4; D7/354, 629  
CPC .. A47L 15/505; A47L 15/503; A47L 15/0013;  
A47L 19/02; A47L 19/04; A47J 47/20  
See application file for complete search history.

FIG. 1 is an isometric top, right side view of a dish and utensil drying rack;  
FIG. 2 is a top view thereof;  
FIG. 3 is a bottom view thereof;  
FIG. 4 is a front view thereof;  
FIG. 5 is a right side view thereof;  
FIG. 6 is a rear view thereof;  
FIG. 7 is a left side view thereof;  
FIG. 8 is an enlarged view of section A of FIG. 7;  
FIG. 9 is a sectioned elevation left side view thereof, the section being taken in a direction of section line 9-9 of FIG. 2;  
FIG. 10 is a sectioned elevation left side view thereof, the section being taken in a direction of section line 10-10 of FIG. 2; and,  
FIG. 11 is a sectioned elevation left side view thereof, the section being taken in a direction of section line 11-11 of FIG. 2.

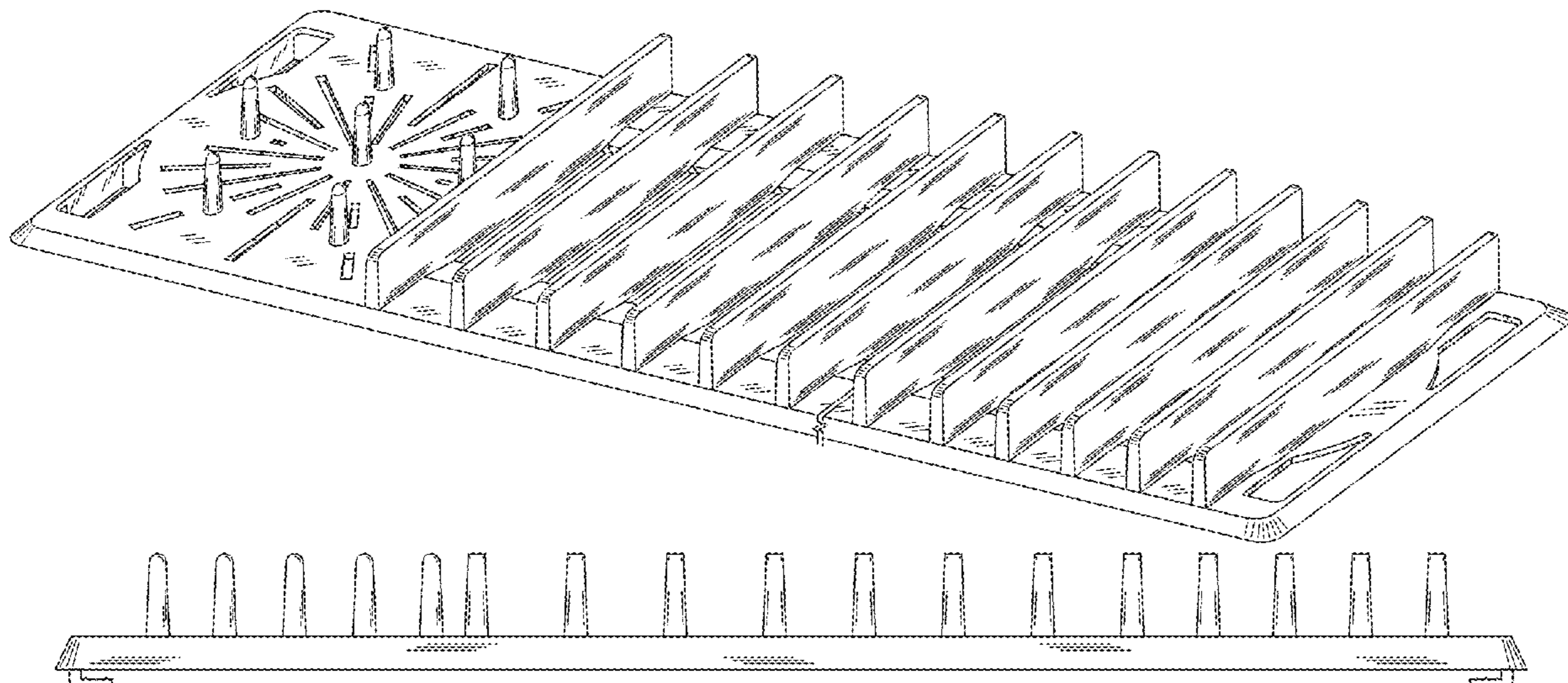
(56) **References Cited**

**U.S. PATENT DOCUMENTS**

- 1,889,146 A \* 11/1932 Kalenoff ..... A47L 19/04  
220/23.8
- D271,339 S \* 11/1983 Lee ..... D32/55
- D492,457 S \* 6/2004 Soroka ..... D32/55
- D640,433 S \* 6/2011 Pargansky ..... D32/55
- D689,350 S \* 9/2013 Sudmalis ..... D7/698
- D696,829 S \* 12/2013 Huang ..... D32/55
- D773,142 S \* 11/2016 Green ..... A47L 19/00  
D32/55
- D822,930 S \* 7/2018 Green ..... D32/55
- D865,310 S \* 10/2019 Baez ..... D32/56

The evenly spaced broken lines in the drawings depict portions of the embodiments of the dish and utensil drying rack form no part of the claim.

**1 Claim, 8 Drawing Sheets**



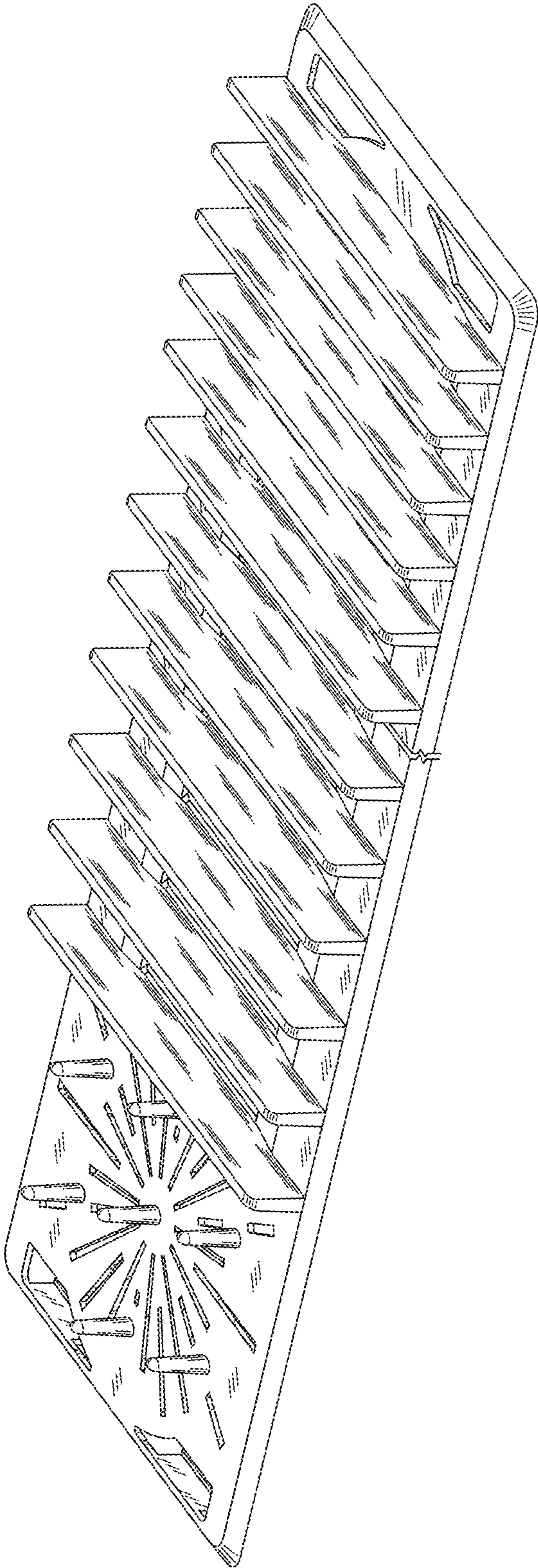


FIG. 1



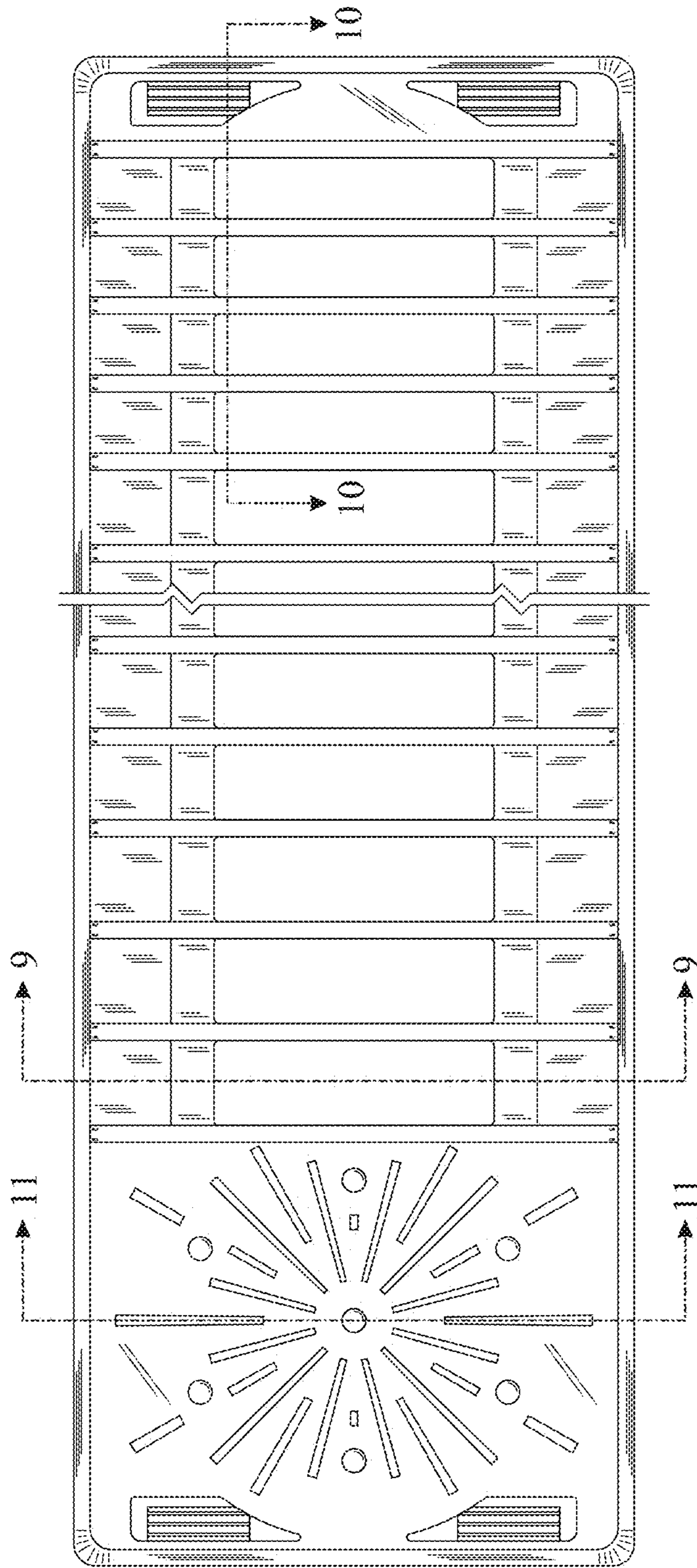


FIG. 2

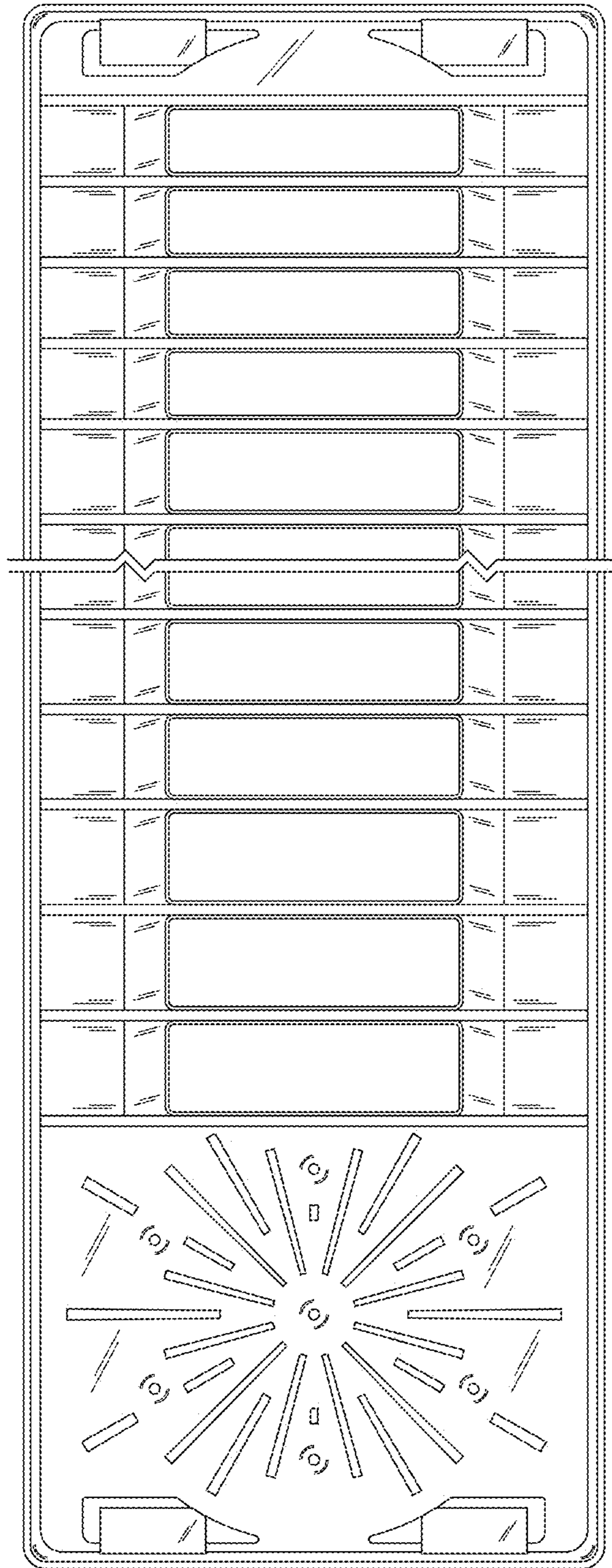


FIG. 3

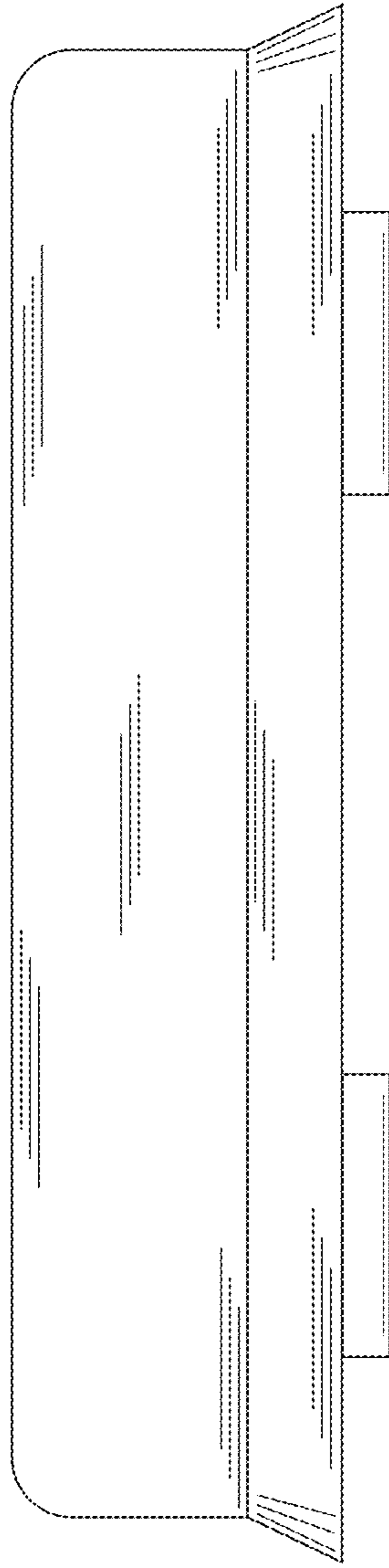


FIG. 4

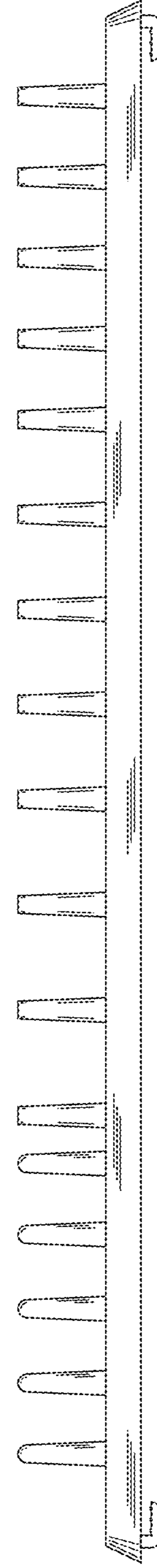


FIG. 5

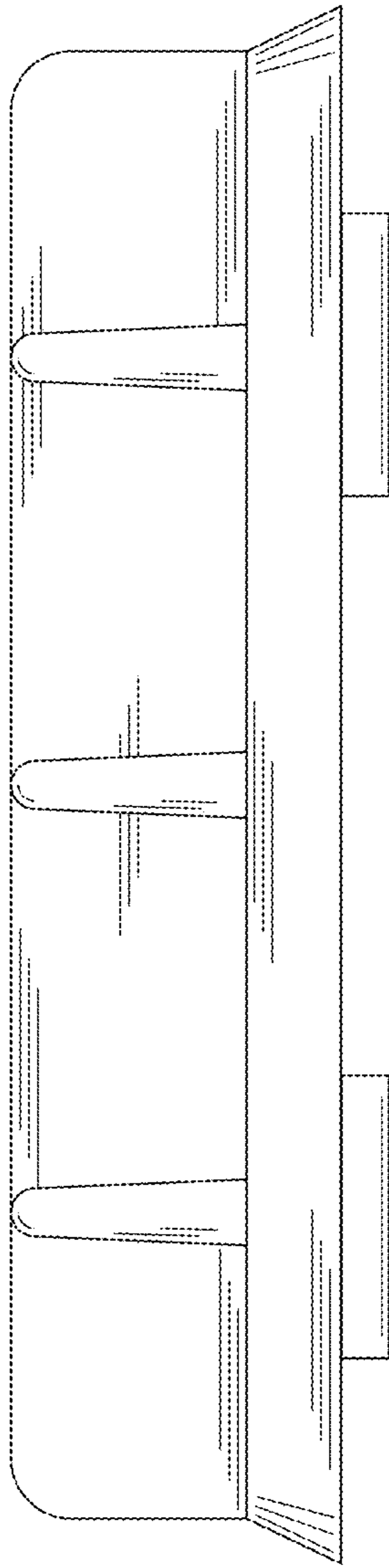


FIG. 6

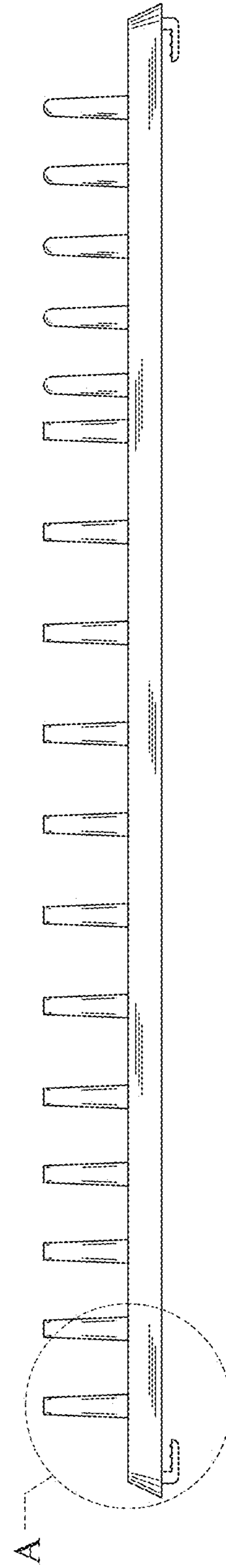


FIG. 7

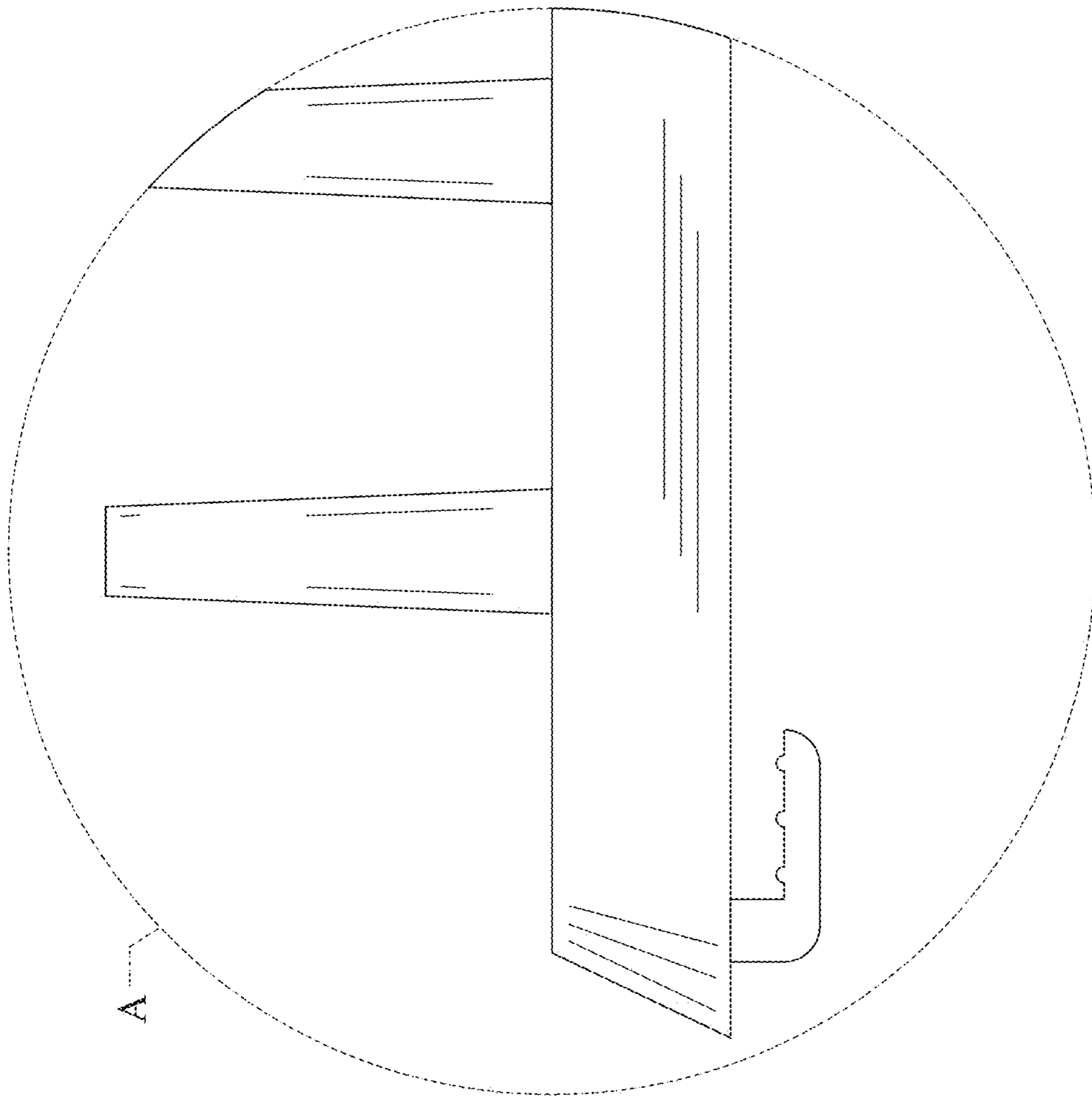


FIG. 8



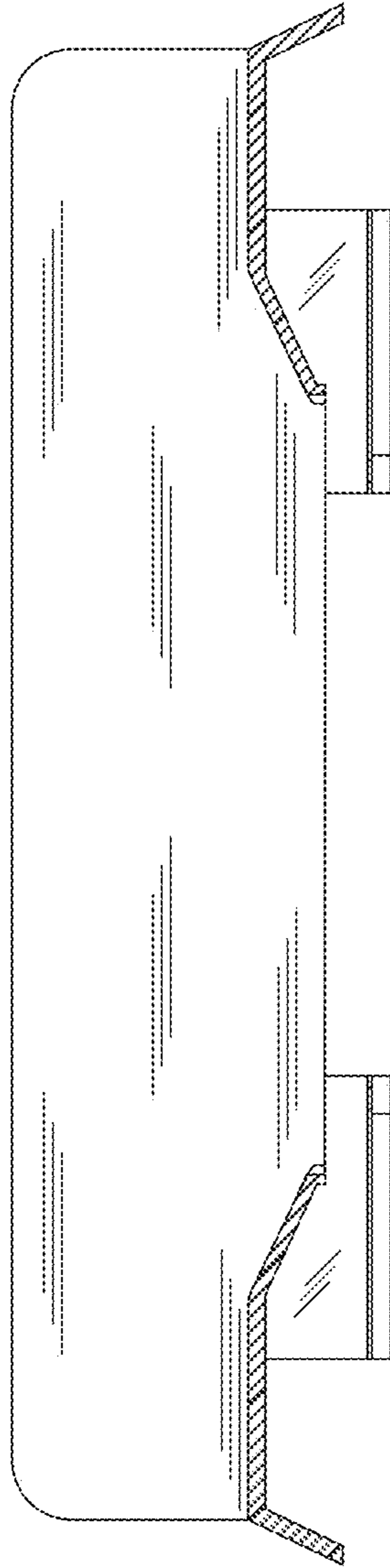


FIG. 9

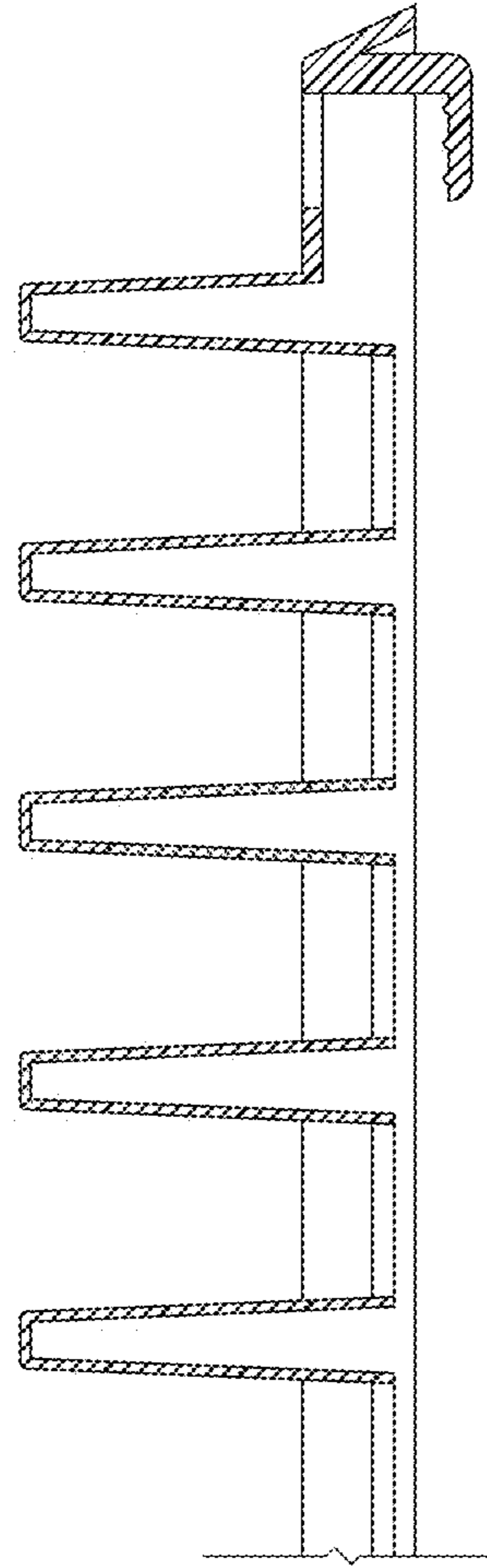


FIG. 10



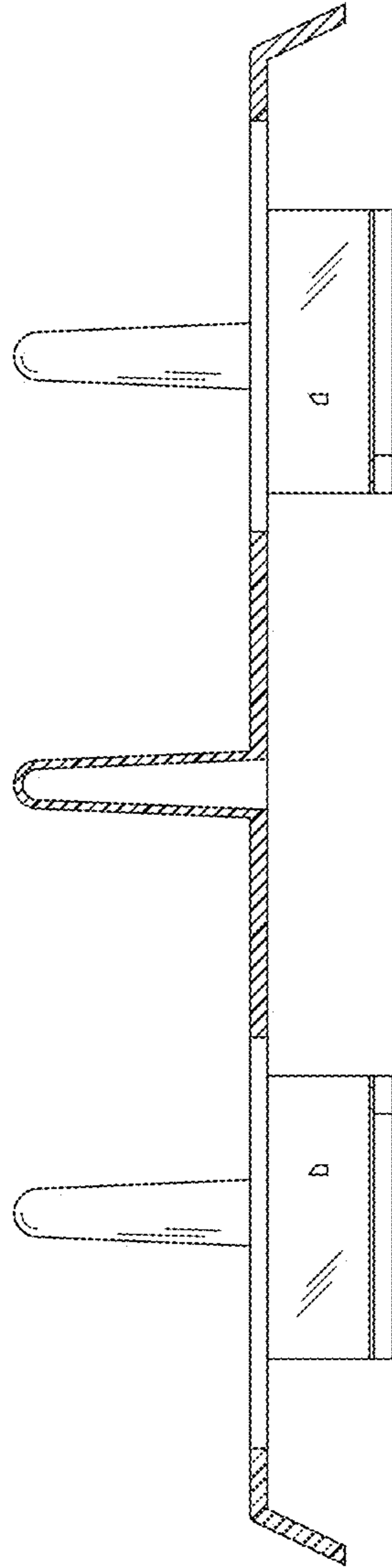


FIG. 11