



US00D938121S

(12) **United States Design Patent** (10) **Patent No.:** **US D938,121 S**
Kraemer (45) **Date of Patent:** **** Dec. 7, 2021**

(54) **CADDY**
(71) Applicant: **InterDesign, Inc.**, Solon, OH (US)
(72) Inventor: **Kevin Francis Kraemer**, Cuyahoga Falls, OH (US)
(73) Assignee: **InterDesign, Inc.**, Solon, OH (US)
(**) Term: **15 Years**
(21) Appl. No.: **29/682,723**
(22) Filed: **Mar. 7, 2019**

(56) **References Cited**

U.S. PATENT DOCUMENTS

D29,620 S *	11/1898	Huebel	D6/532
D264,782 S *	6/1982	Thompson	D6/524
D282,232 S *	1/1986	Bussell	D7/509
D282,331 S *	1/1986	Pozzi	D7/509
D284,196 S *	6/1986	Wolff	D15/89
D286,489 S *	11/1986	Ritman	D7/543
D309,545 S *	7/1990	Ancona	D7/300
D373,512 S *	9/1996	Hong	D7/592
D378,974 S *	4/1997	Joergensen	D7/505
D382,446 S *	8/1997	Bacon	D7/509
D383,344 S *	9/1997	Andrus	D6/525
D393,104 S *	3/1998	Wolff	D28/73

(Continued)

Related U.S. Application Data

(63) Continuation of application No. 29/571,044, filed on Jul. 14, 2016, now Pat. No. Des. 846,220, and a continuation-in-part of application No. 29/516,882, filed on Feb. 6, 2015, now abandoned, and a continuation-in-part of application No. 29/509,596, filed on Nov. 19, 2014, now abandoned.

(51) **LOC (13) Cl.** **07-05**
(52) **U.S. Cl.**
USPC **D32/55**

(58) **Field of Classification Search**
USPC D7/507, 509, 510, 511, 387, 392.1, D7/396.2, 368, 690, 376, 300.1, 300.2, D7/312, 213, 354, 629; D9/435, 436, D9/530, 537, 543, 503, 504; D32/55, D32/585, 276, 3; D30/133; D6/525, D6/524, 534, 540, 566, 567, 574; D3/201, 304-307, 314, 315, 901
CPC A47J 43/27; A47J 47/20; A47G 19/22; A47G 19/16; A47G 19/2205; A47G 19/2288; B65D 1/265; A47L 15/505; A47L 15/503; A47L 15/0013; A47L 19/02; A47L 19/04

See application file for complete search history.

OTHER PUBLICATIONS

Amazon.com, mDesign Modern Adjustable, Expandable Over Sink Sponger Holder Storage Center, Aug. 23, 2016, <https://www.amazon.com/mDesign-Rustproof-Aluminum-Scrubber-Organizer/dp/B01KVS8MM/> (Year: 2016).*

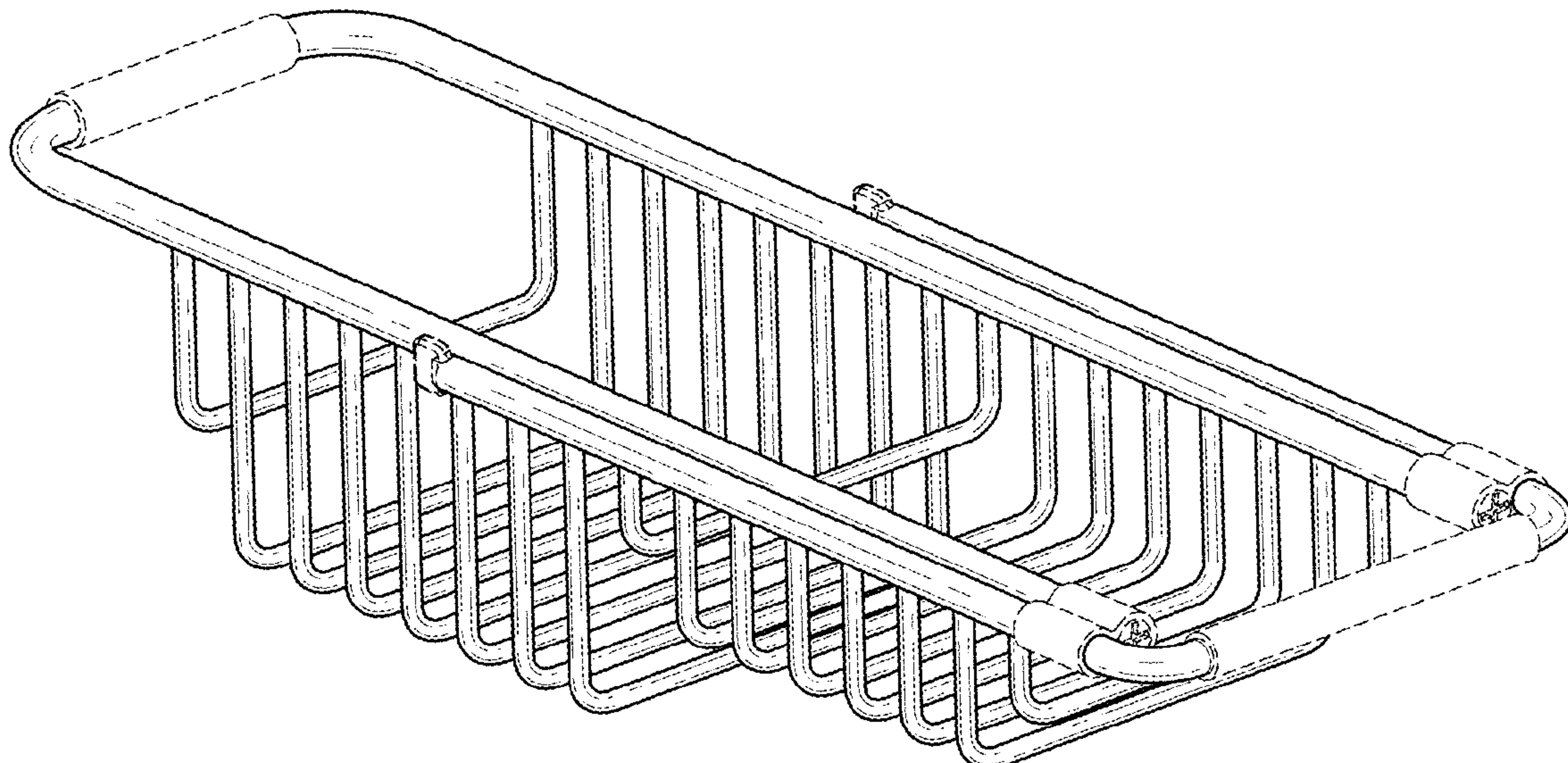
Primary Examiner — Nathan M Johnston
(74) *Attorney, Agent, or Firm* — Calfee, Halter & Griswold LLP

(57) **CLAIM**
I claim the ornamental design for a caddy, as shown and described.

DESCRIPTION

FIG. 1 is a front/right/top perspective view of a caddy; FIG. 2 is a rear/right/bottom perspective view thereof; FIG. 3 is a front elevational view thereof; FIG. 4 is a rear elevational view thereof; FIG. 5 is a right side elevational view thereof; FIG. 6 is a left side elevational view thereof; FIG. 7 is a top plan view thereof; and, FIG. 8 is a bottom plan view thereof. The broken lines depict portions of the caddy that form no part of the claimed design.

1 Claim, 7 Drawing Sheets



(56)

References Cited

U.S. PATENT DOCUMENTS

D393,105 S *	3/1998	Wolff	D28/73	D551,905 S *	10/2007	Snell	D7/509
D396,346 S *	7/1998	Hoernig	D3/304	D553,796 S *	10/2007	Harwanko	D28/73
D396,762 S *	8/1998	Bermillo	D6/534	D557,073 S *	12/2007	Snell	D7/509
D396,770 S *	8/1998	Hoernig	D6/566	D557,074 S *	12/2007	Bardolet	D7/509
D397,570 S *	9/1998	Hoernig	D6/553	D562,500 S *	2/2008	Dretzka	D28/73
D414,001 S *	9/1999	Crotte	D28/73	D578,814 S *	10/2008	Dretzka	D6/542
D441,996 S *	5/2001	Wright	D6/525	D582,724 S *	12/2008	Dretzka	D7/509
D444,012 S *	6/2001	Ferrer Beltran	D6/536	D594,277 S *	6/2009	Snell	D7/509
D454,034 S *	3/2002	McLaughlin	D7/607	D594,278 S *	6/2009	Snell	D7/509
D461,368 S *	8/2002	Durand	D7/509	D596,042 S *	7/2009	Chen	D9/690
D464,516 S *	10/2002	Snell	D6/525	D599,597 S *	9/2009	Dretzka	D6/542
D479,663 S *	9/2003	Snell	D6/525	D601,381 S *	10/2009	Stamper	D7/505
D480,273 S *	10/2003	Cordwell	D7/605	D602,740 S *	10/2009	Urquiola	D7/509
D481,492 S *	10/2003	Dretzka	D28/73	D603,220 S *	11/2009	Ghiorghie	D7/509
D484,401 S *	12/2003	Dretzka	D6/542	D619,397 S *	7/2010	Snell	D6/542
D488,716 S *	4/2004	Dretzka	D6/542	D625,942 S *	10/2010	Yang	D6/528
D489,617 S *	5/2004	Snell	D6/542	D642,840 S *	8/2011	Dretzka	D6/542
D502,365 S *	3/2005	Dretzka	D7/509	D644,052 S *	8/2011	Kraemer	D6/542
D513,687 S *	1/2006	Destrooper	D1/118	D661,148 S *	6/2012	Yang	D6/542
D527,845 S *	9/2006	Ng	D28/73	D698,186 S *	1/2014	Funchess	D6/552
D530,954 S *	10/2006	Snell	D6/542	D698,497 S *	1/2014	Smith	D28/76
D537,361 S *	2/2007	Dretzka	D6/542	D723,301 S *	3/2015	Callif	D6/566
D550,509 S *	9/2007	Dretzka	D7/509	D735,531 S *	8/2015	Wilson	D7/505
D551,087 S *	9/2007	Snell	D6/542	D737,099 S *	8/2015	Marshall	D7/505
				D746,592 S *	1/2016	Goodman	D3/306
				D774,798 S *	12/2016	Goodman	D6/537

* cited by examiner

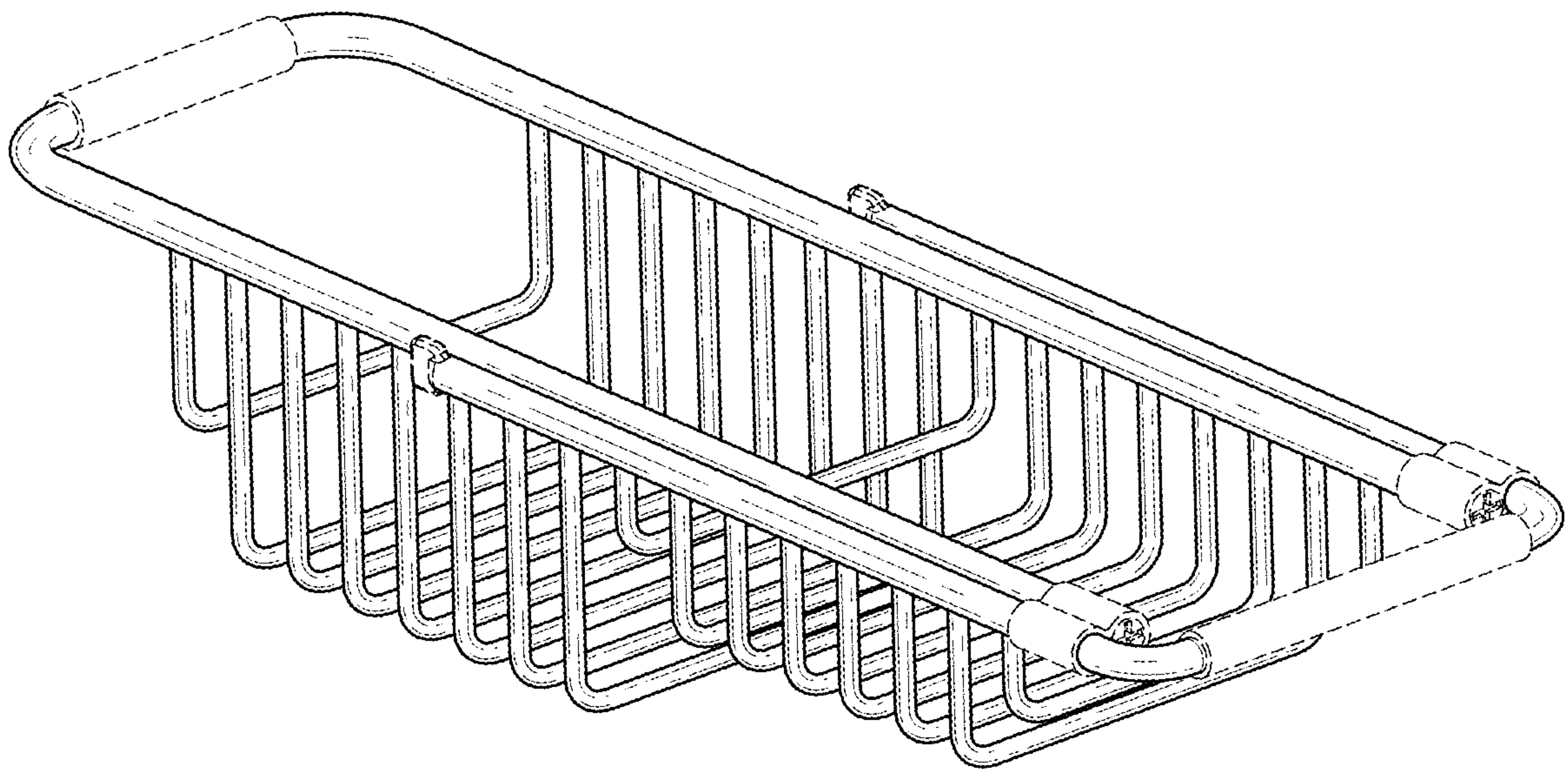


FIG. 1

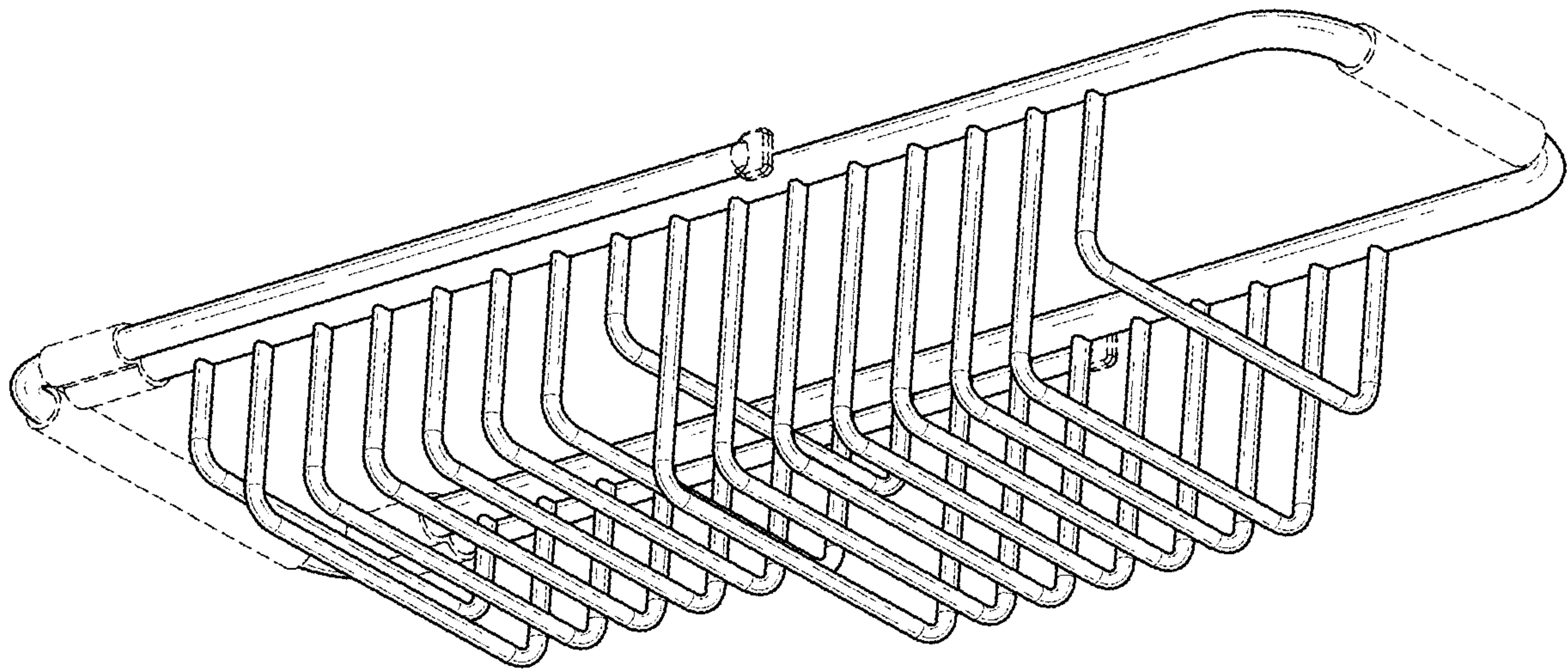


FIG. 2

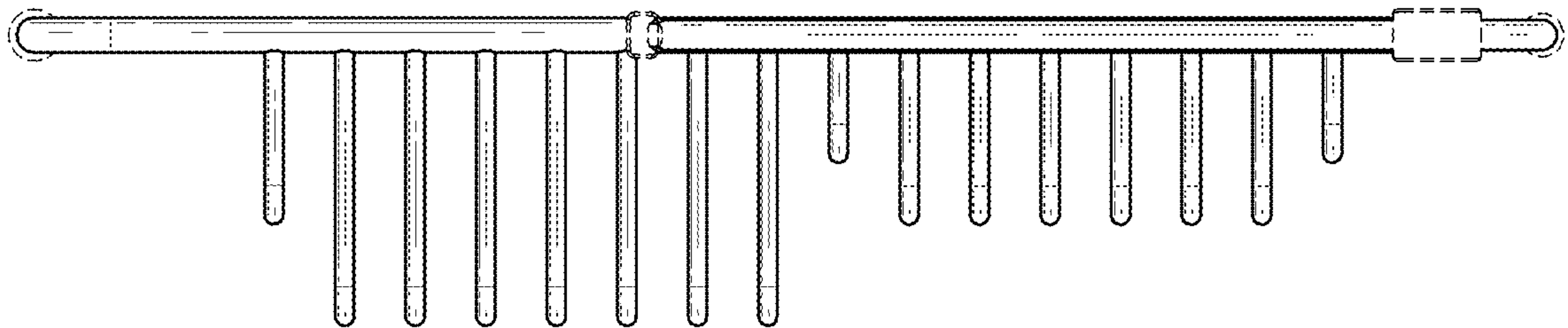


FIG. 3

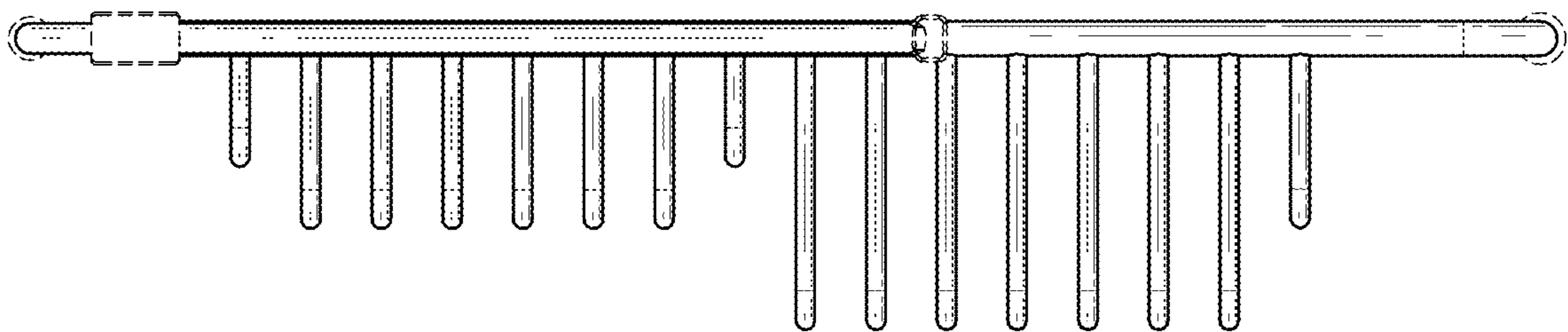


FIG. 4

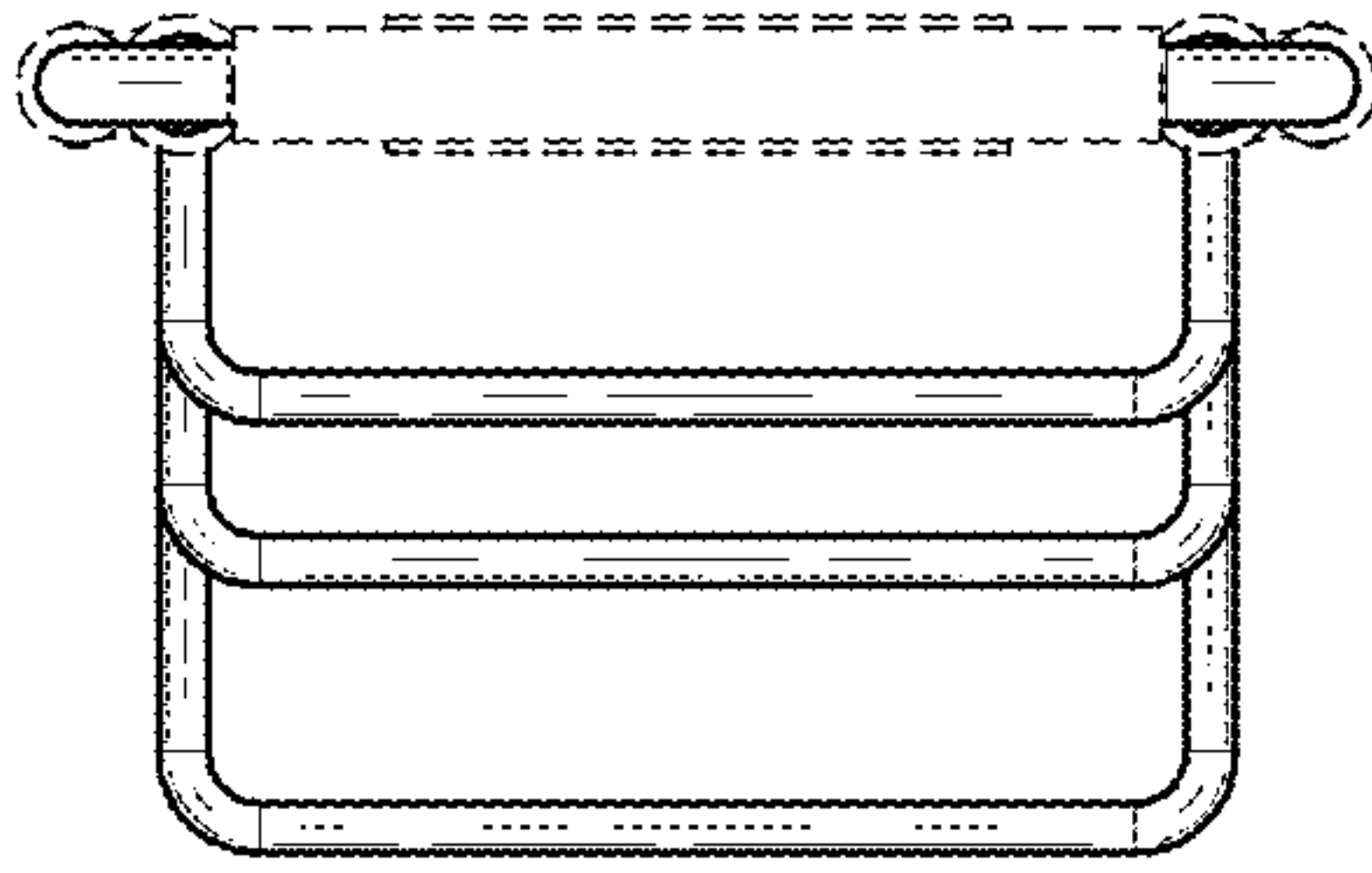


FIG. 5

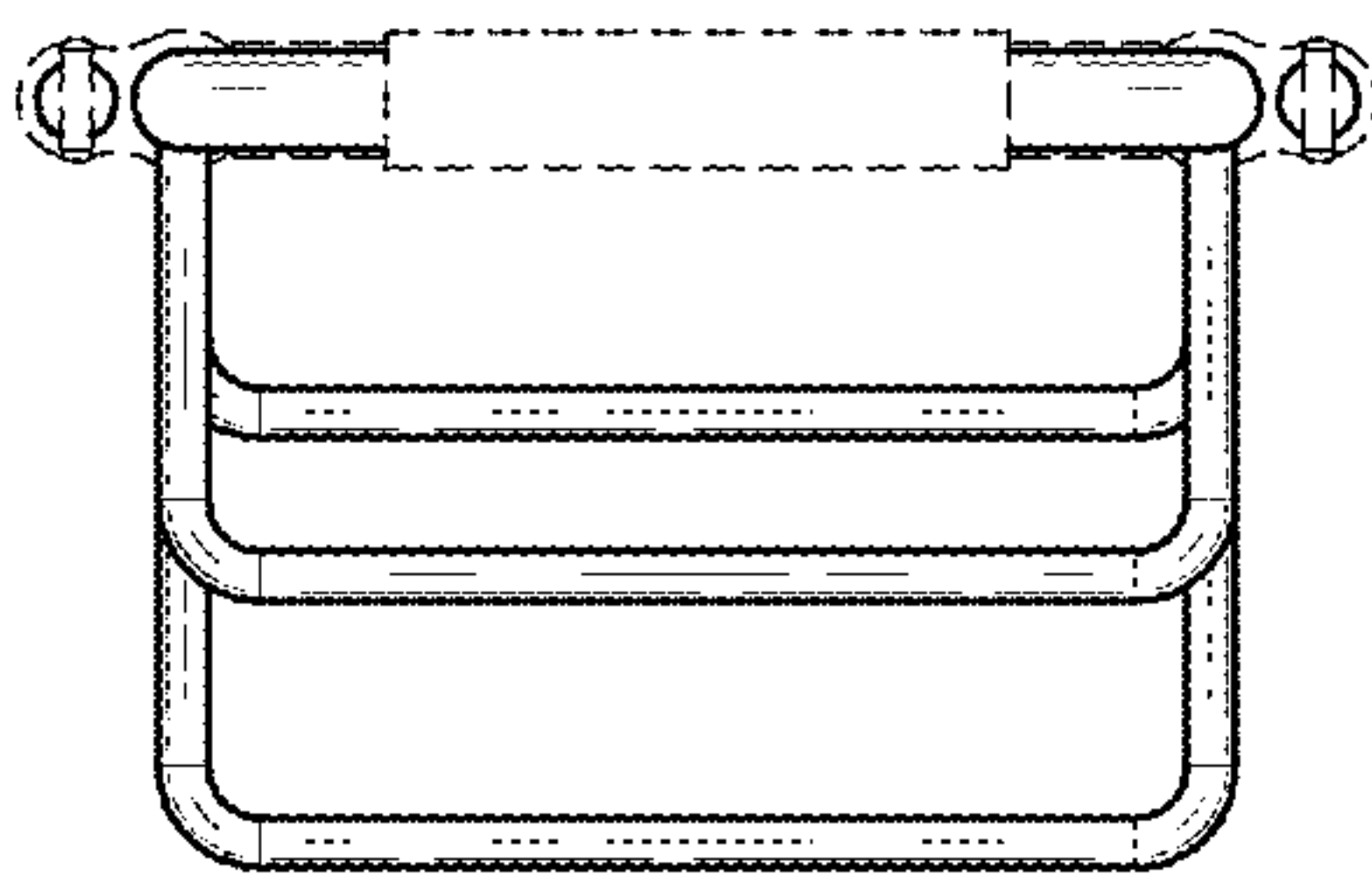


FIG. 6

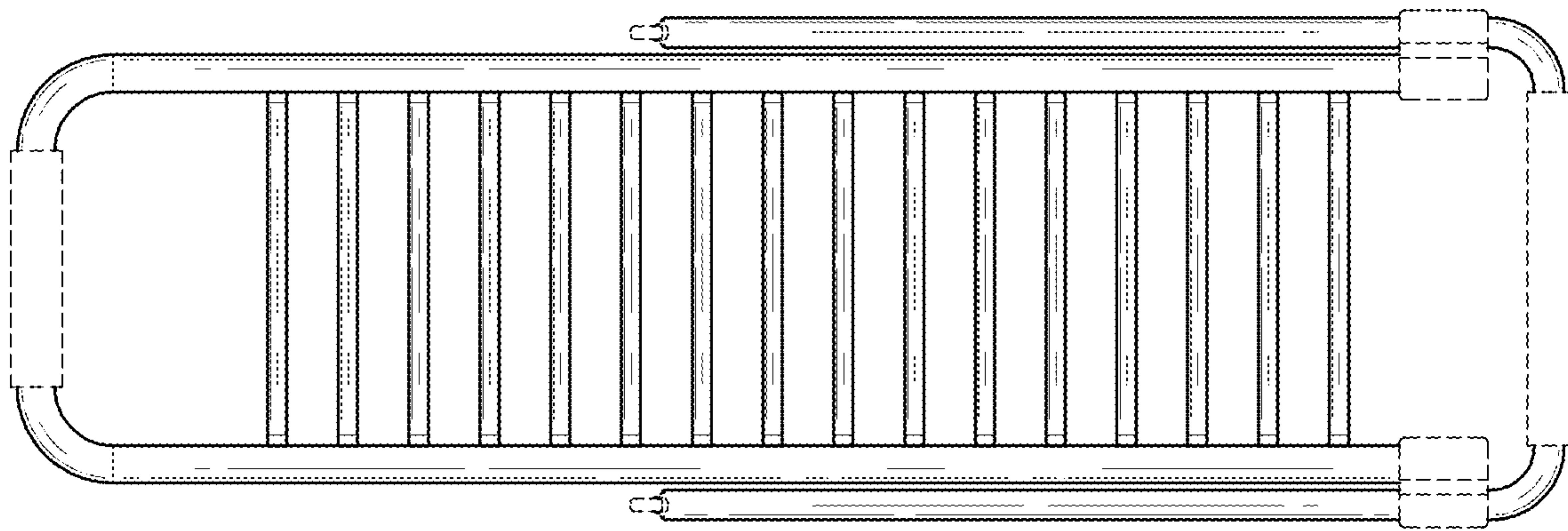


FIG. 7

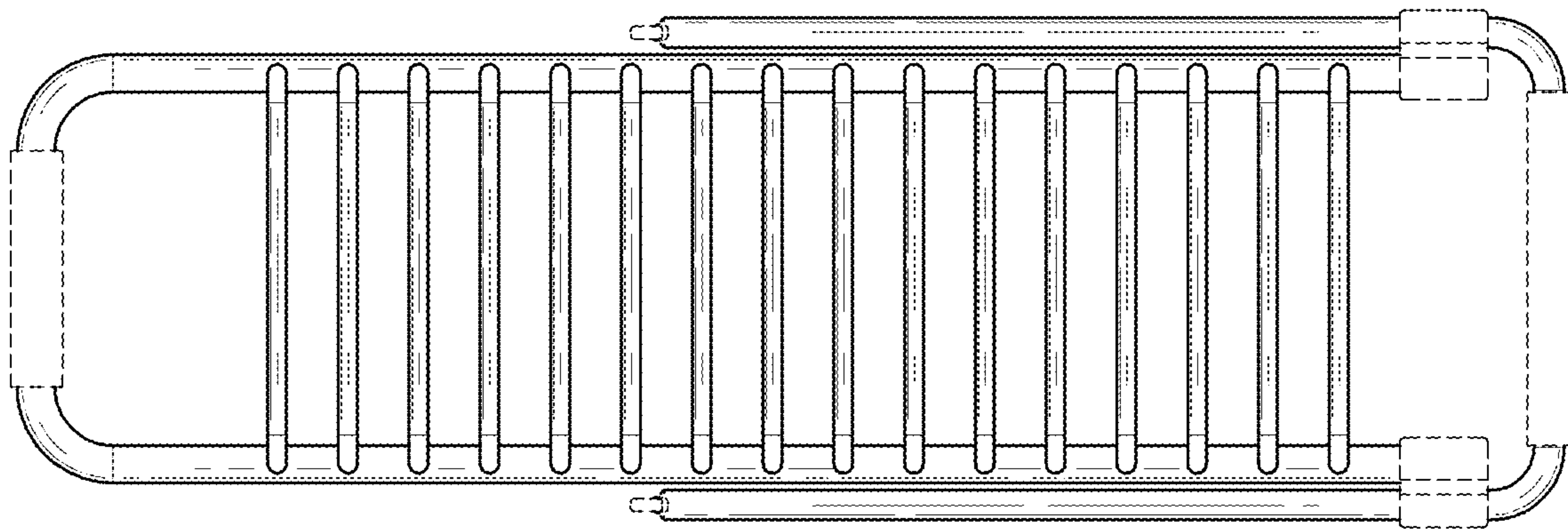


FIG. 8